

[54] COMBINED PEPPERCORN MILL AND COFFEE BEAN GRINDER

[56] References Cited PUBLICATIONS

[76] Inventors: Michael A. Kokkinos; Alice E. Kokkinos, both of P.O. Box 775, Carmel, Calif. 93921

The Washington Star; 9/18/77, p. 29, Lenox pepper mill.
Regal Brochure, pepper mill #R-301.
Institutions, 1/59, p. 40, pepper mill.

[**] Term: 14 Years

Primary Examiner—Terry A. Pfeffer
Attorney, Agent, or Firm—David E. Newhouse

[21] Appl. No.: 441,414

[57] CLAIM

The ornamental design for a combined peppercorn mill and coffee bean grinder, as shown and described.

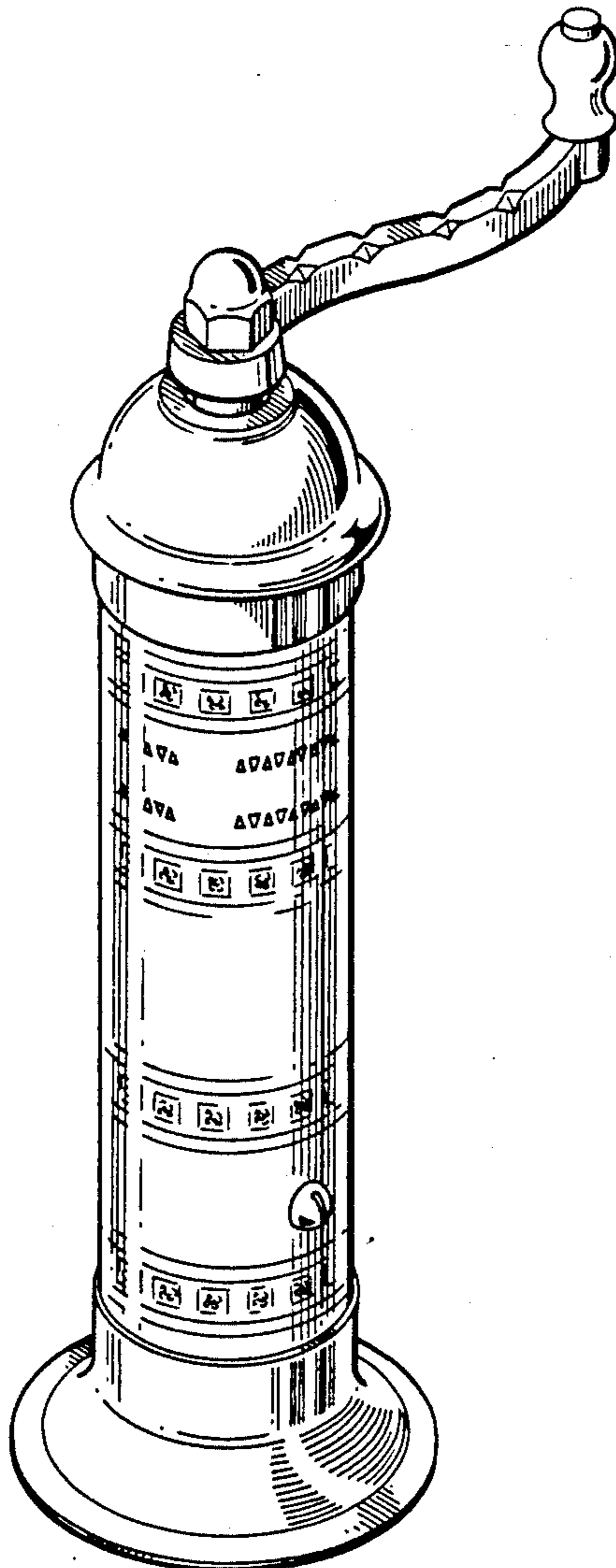
[22] Filed: Nov. 27, 1989

DESCRIPTION

[52] U.S. Cl. D7/679; D7/673

FIG. 1 is a perspective view of a combined peppercorn mill and coffee bean grinder showing our new design;
FIG. 2 is a side elevation view thereof;
FIG. 3 is a top plan view thereof;
FIG. 4 is a bottom plan view thereof;
FIG. 5 is fragmentary bottom perspective view thereof.

[58] Field of Search D7/679, 590-600,
D7/672-673; 222/142.1-142.9; 241/168, 169,
169.1



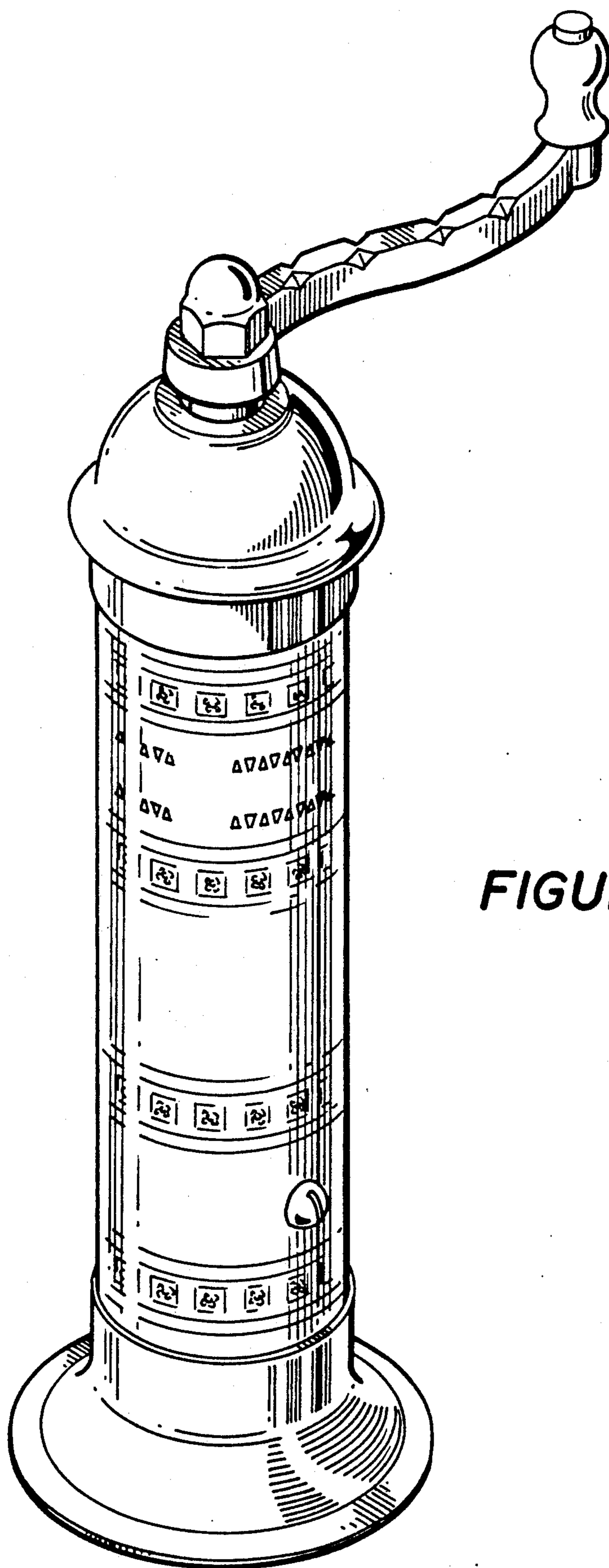


FIGURE 1

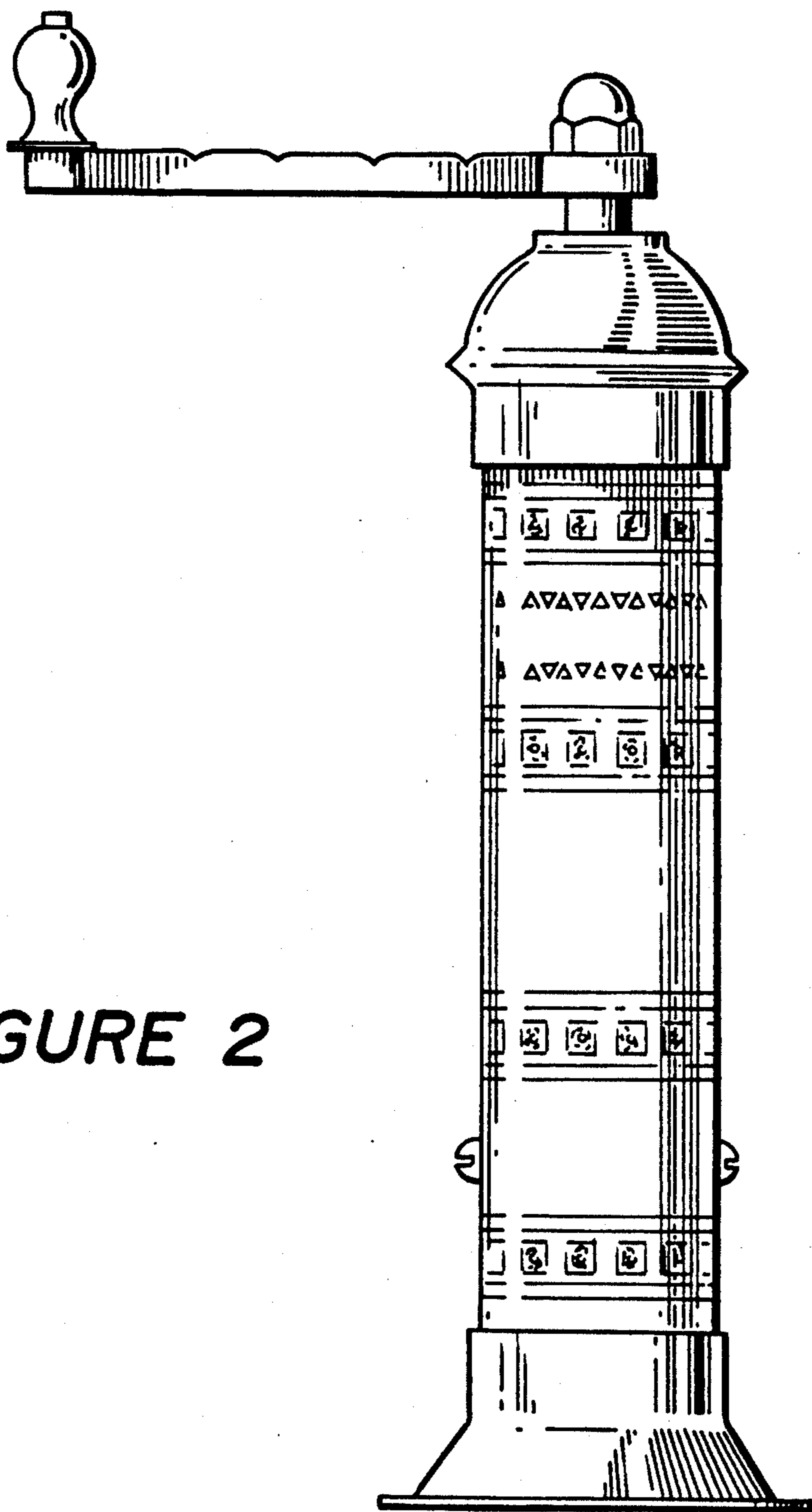


FIGURE 2

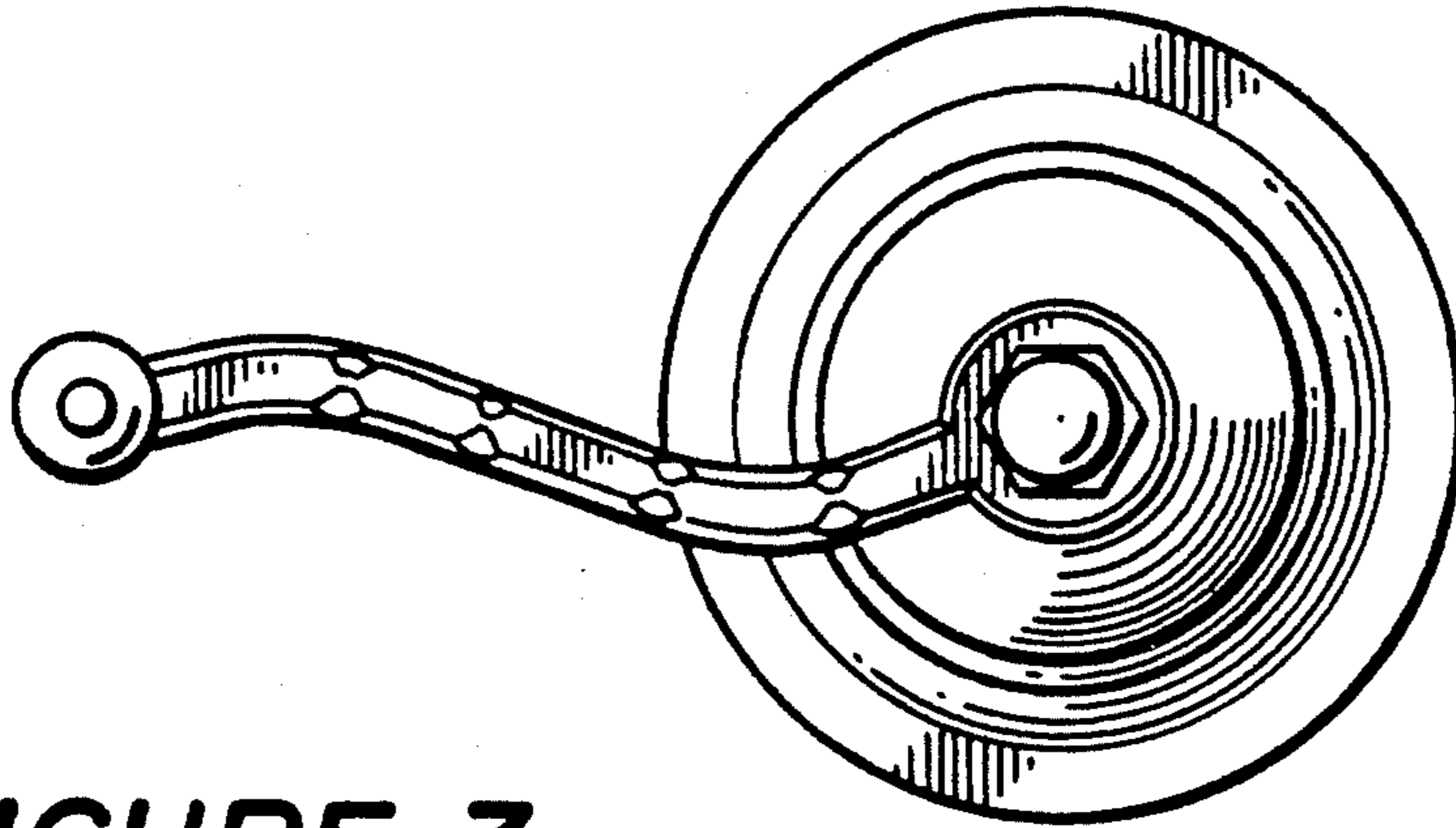


FIGURE 3

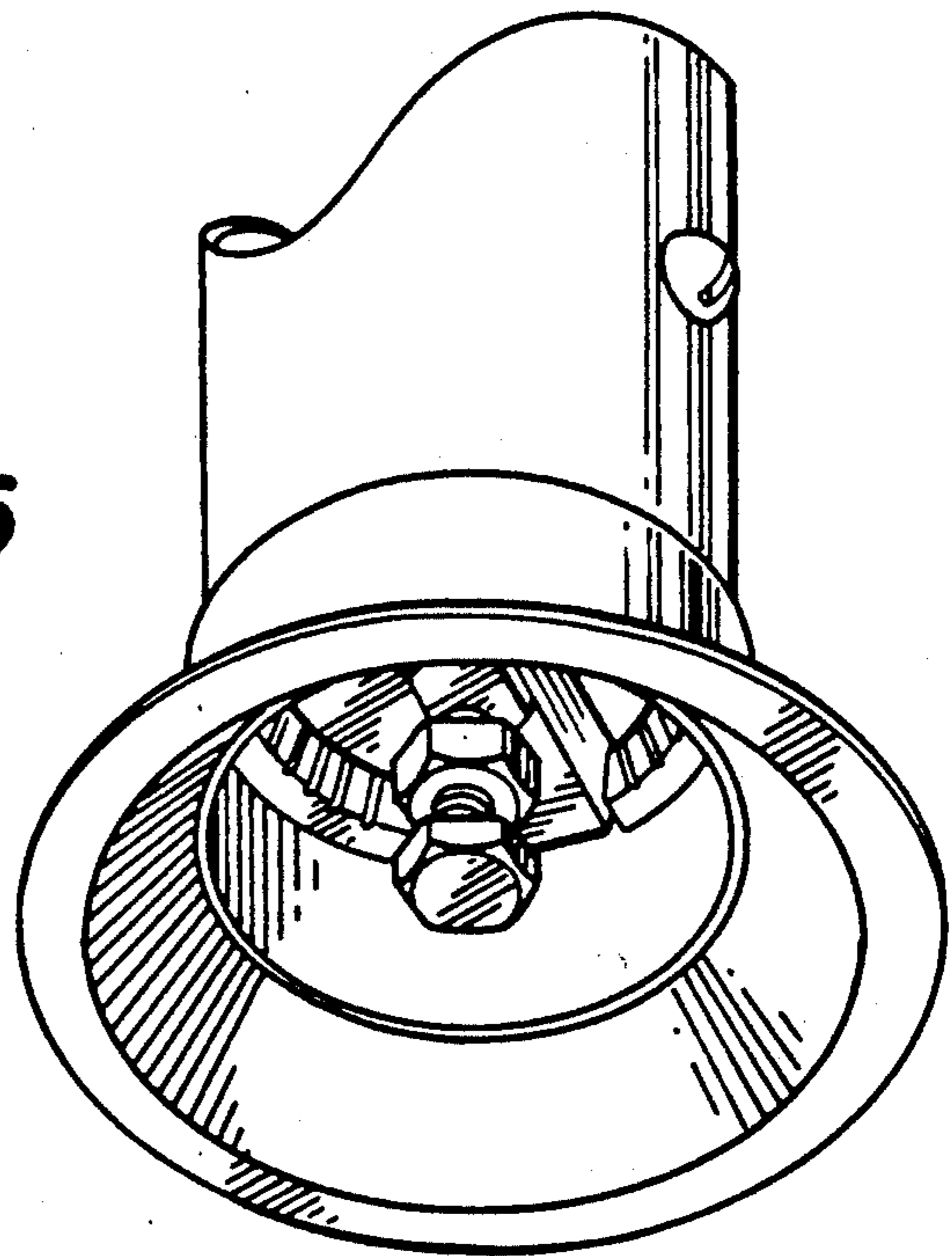


FIGURE 5

FIGURE 4

