

[54] BEVERAGE TRAY ORGANIZER

[75] Inventors: Michael J. Szablak, Stephens City; Glen E. Tomblin, Winchester, both of Va.

[73] Assignee: Rubbermaid Commercial Products Inc., Winchester, Va.

[**] Term: 14 Years

[21] Appl. No.: 394,434

[22] Filed: Aug. 16, 1989

[52] U.S. Cl. D7/616; D7/549; D7/550; D9/341

[58] Field of Search D7/616, 617, 550, 553, D7/555, 549; D3/40; D9/341, 455; 206/201, 203, 427, 562-564, 557; 229/2.5 R, 1.5 R, 1.5 H, 904

[56] References Cited

U.S. PATENT DOCUMENTS

3,722,781	3/1973	Page et al.	229/904 X
3,730,419	5/1973	Botterman et al.	229/904 X
3,804,233	4/1974	Gregg, Jr.	206/562 X

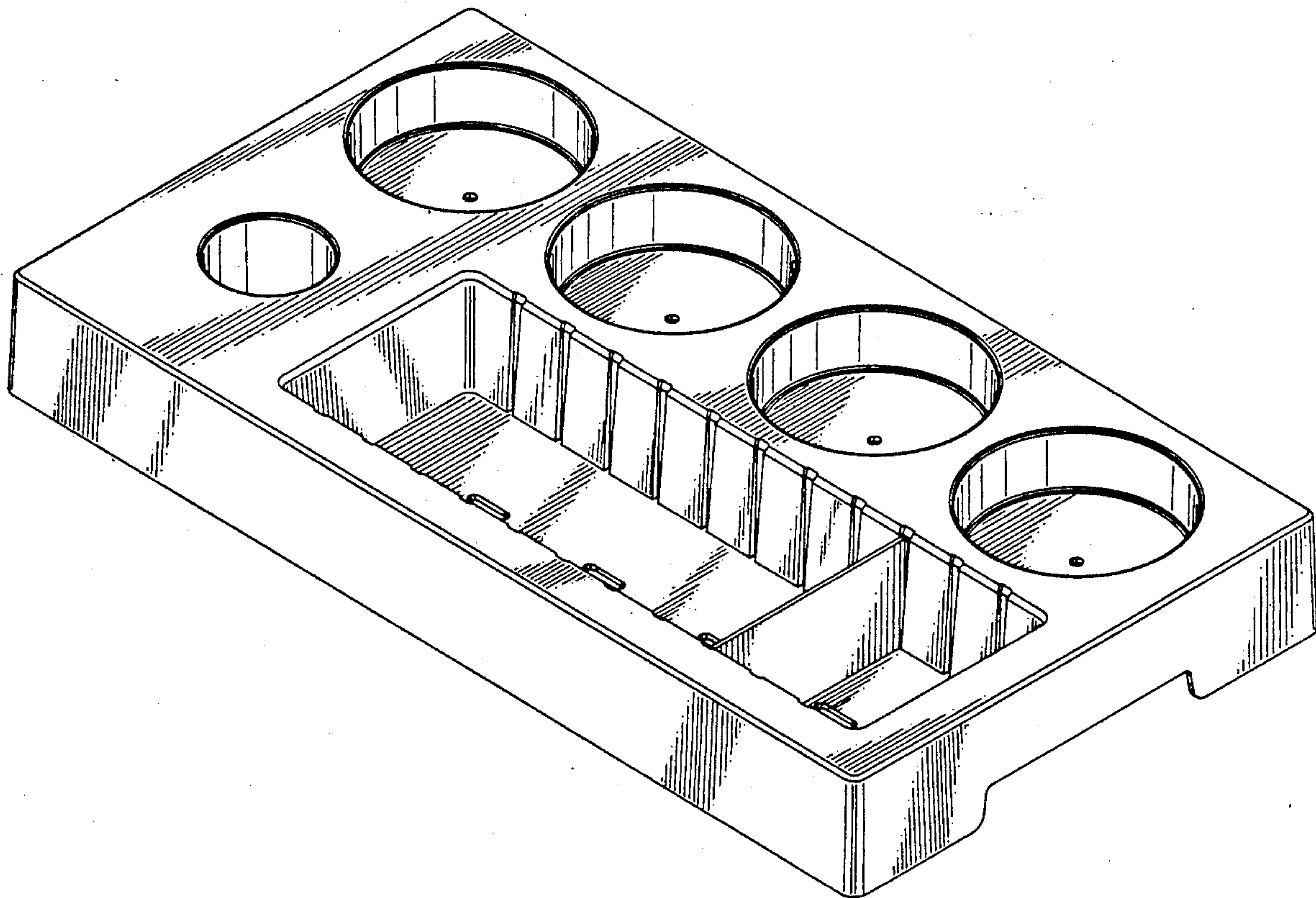
Primary Examiner—Terry A. Pfeffer
Attorney, Agent, or Firm—Richard B. O'Planick

[57] CLAIM

The ornamental design for a beverage tray organizer, as shown and described.

DESCRIPTION

FIG. 1 is a front perspective view of a beverage tray organizer showing our new design.
 FIG. 2 is a top plan view thereof.
 FIG. 3 is a bottom plan view thereof.
 FIG. 4 is a front elevational view thereof; the opposite side being a mirror image.
 FIG. 5 is a side elevational view thereof; the opposite side being a mirror image.
 FIG. 6 is a transverse cross-sectional view of thereof taken along line 6—6 of FIG. 2.



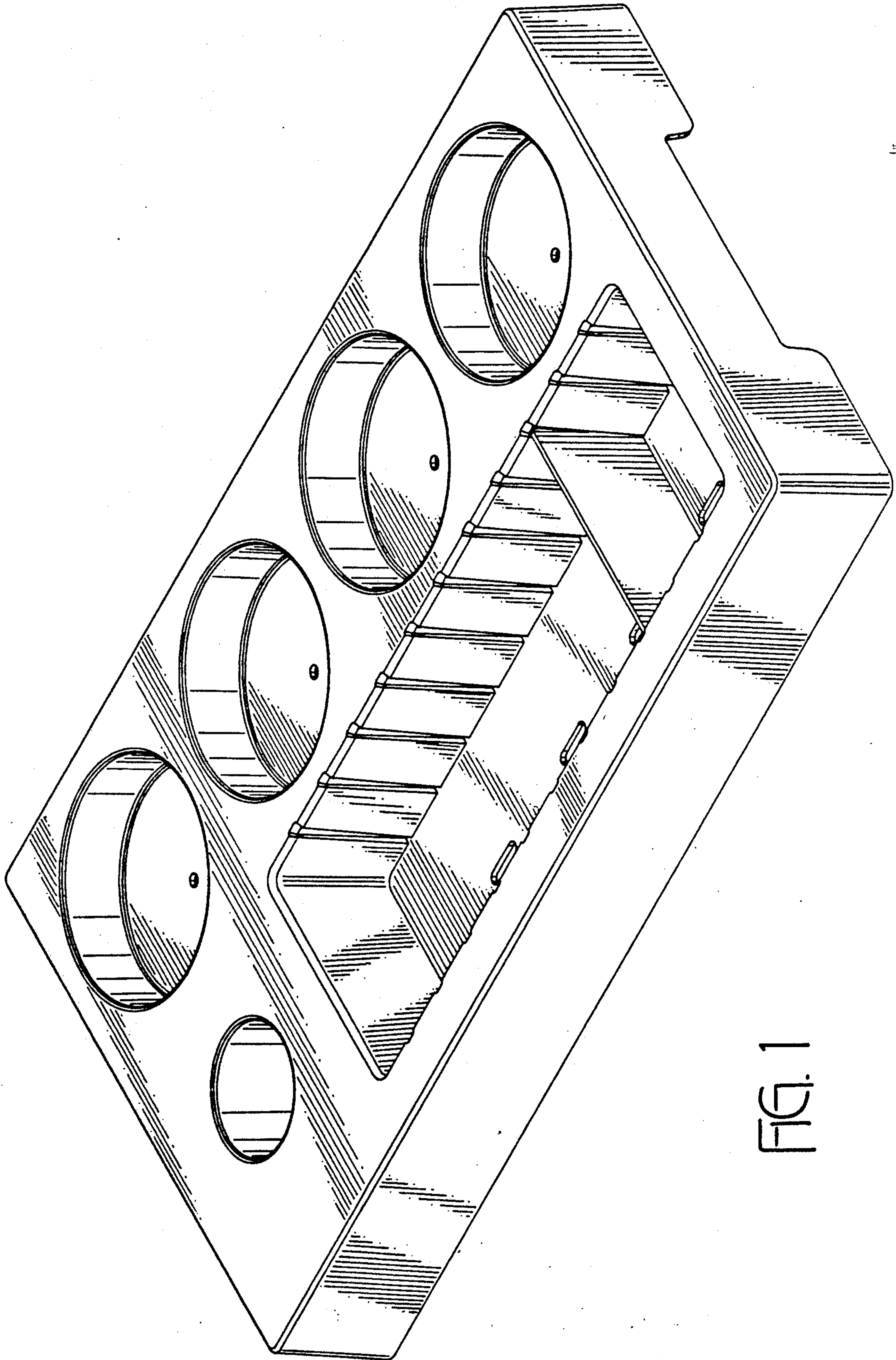


FIG. 1

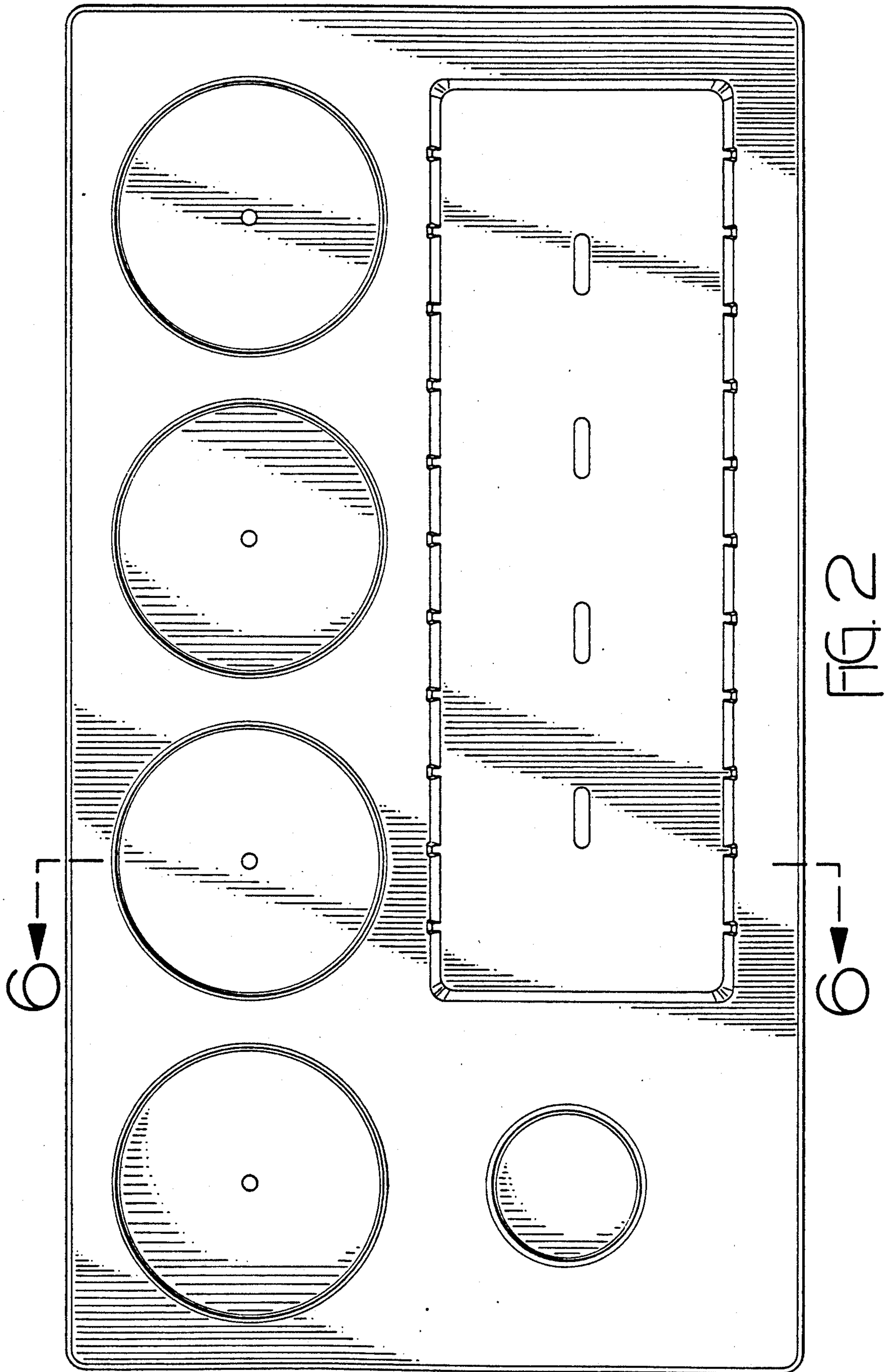


FIG. 2

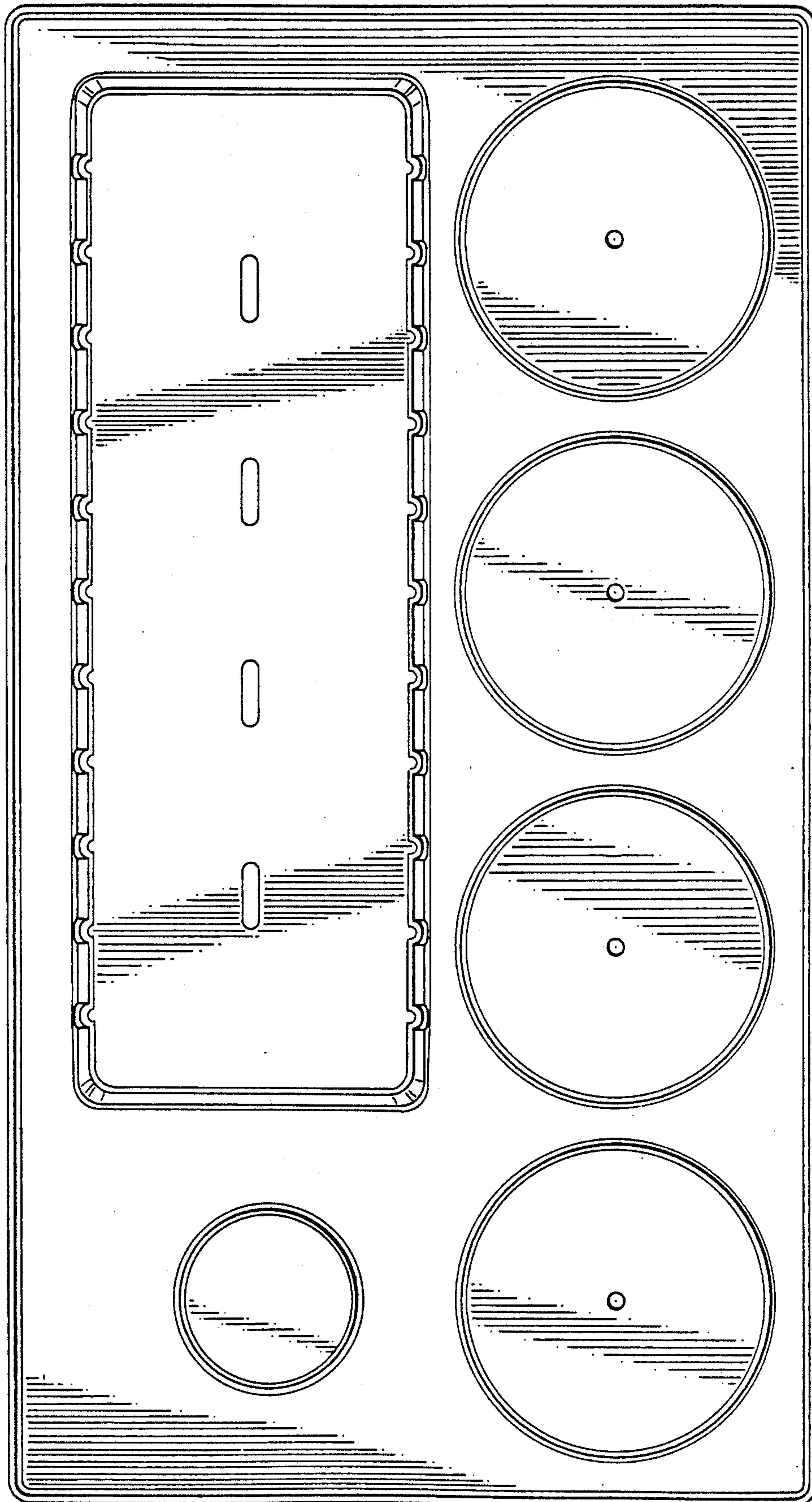


FIG. 3

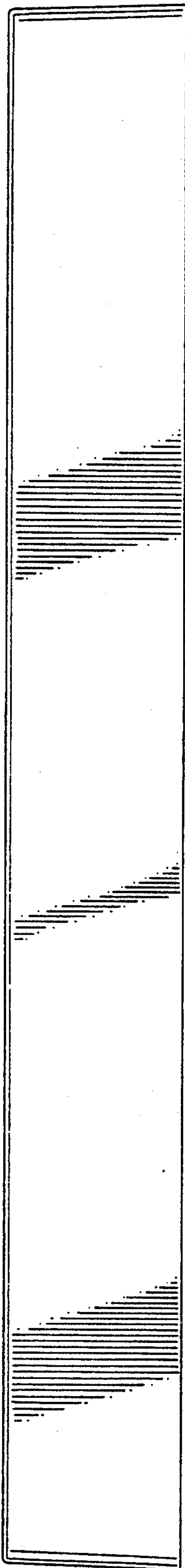


FIG. 4

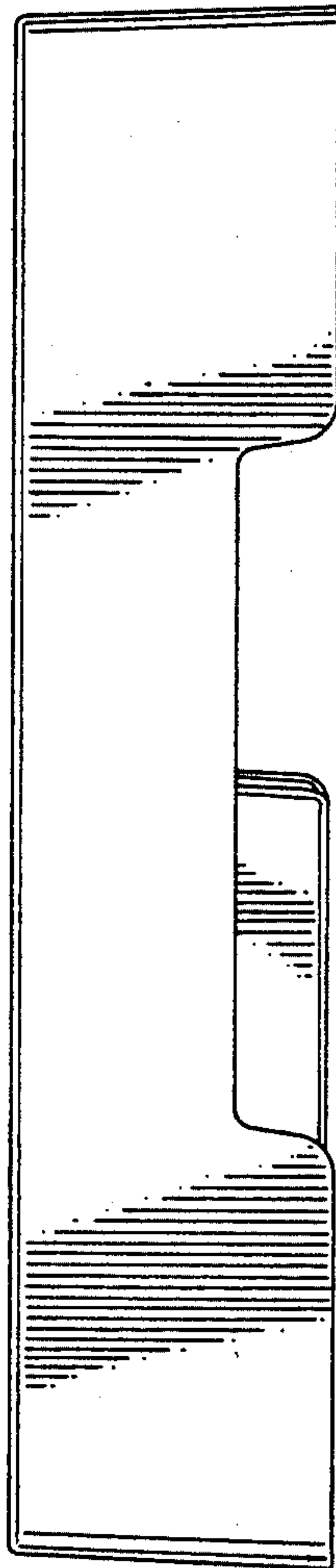


FIG. 5

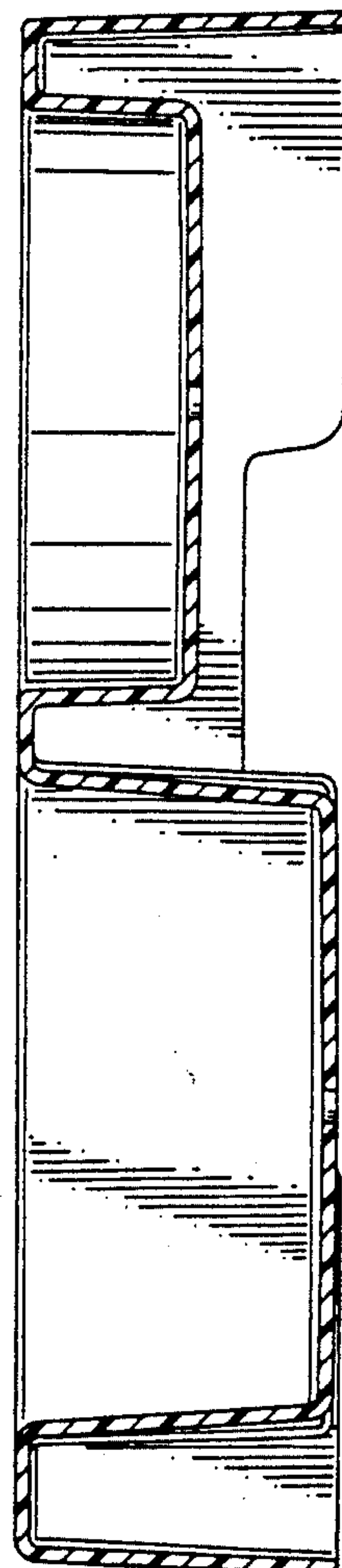


FIG. 6