

[54] **ELECTRIC MIXER**

[75] **Inventor:** Yan-Kwong Wong, Kwai Chung,
Hong Kong

[73] **Assignee:** Dorlop Industrial Ltd., Kwai Chung,
Hong Kong

[**] **Term:** 14 Years

[21] **Appl. No.:** 301,097

[22] **Filed:** Jan. 25, 1989

[30] **Foreign Application Priority Data**

Aug. 18, 1988 [GB] United Kingdom 1053063

[52] **U.S. Cl.** D7/379; D7/412

[58] **Field of Search** D8/107, 61, 68; D7/379,
D7/380, 386, 412, 414, 415, 376, 646

[56] **References Cited**

U.S. PATENT DOCUMENTS

D. 145,940 11/1946 Kessel D7/379

D. 165,747 1/1952 Gemmill D7/379

D. 207,876 6/1967 Willis D8/68

FOREIGN PATENT DOCUMENTS

1116778 2/1956 France D7/646 X

OTHER PUBLICATIONS

Design #128, Aug. 1959, p. 54, "Novamix" Handmixer for Nova, Belgium, top left.

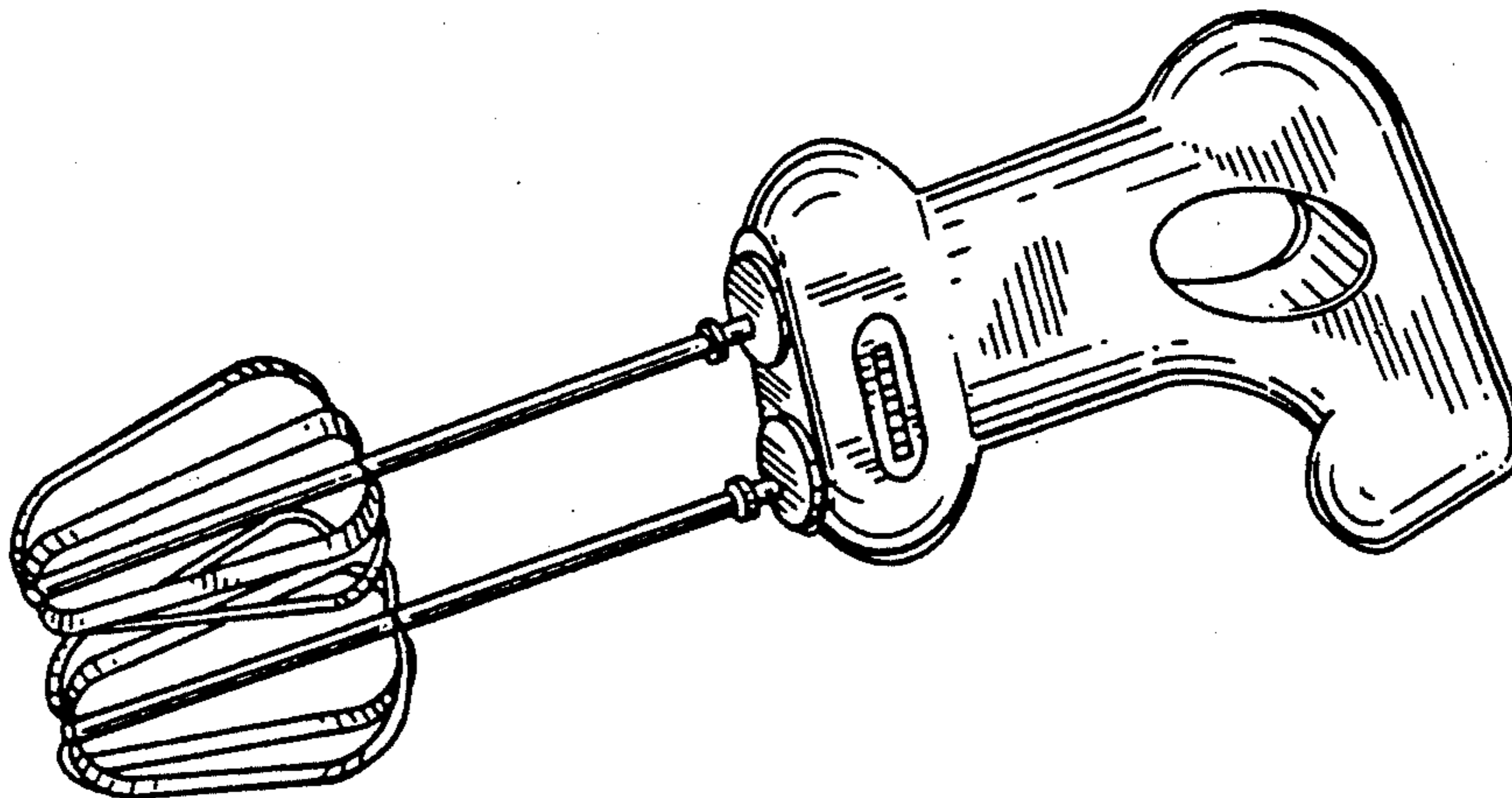
*Primary Examiner—Winifred E. Herrmann
Attorney, Agent, or Firm—Armstrong, Nikaido,
Marmelstein, Kubovcik & Murray*

[57] **CLAIM**

The ornamental design for an electric mixer, as shown.

DESCRIPTION

FIG. 1 is a side elevational view of an electric mixer showing my new design;
FIG. 2 is a side elevational view opposite that shown in FIG. 1;
FIG. 3 is a top plan view;
FIG. 4 is a bottom plan view;
FIG. 5 is a right end elevational view;
FIG. 6 is a left end elevational view; and
FIG. 7 is a top and side perspective view thereof from the right end of FIG. 1.



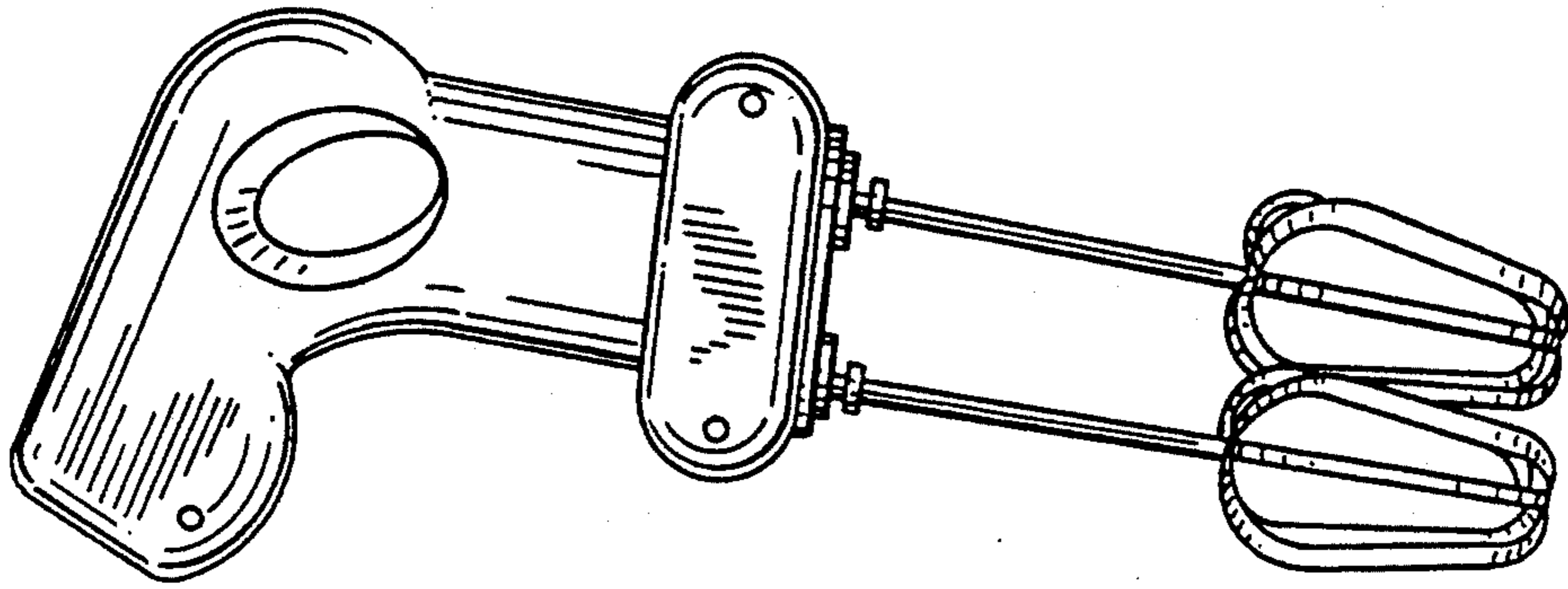


FIG. 1

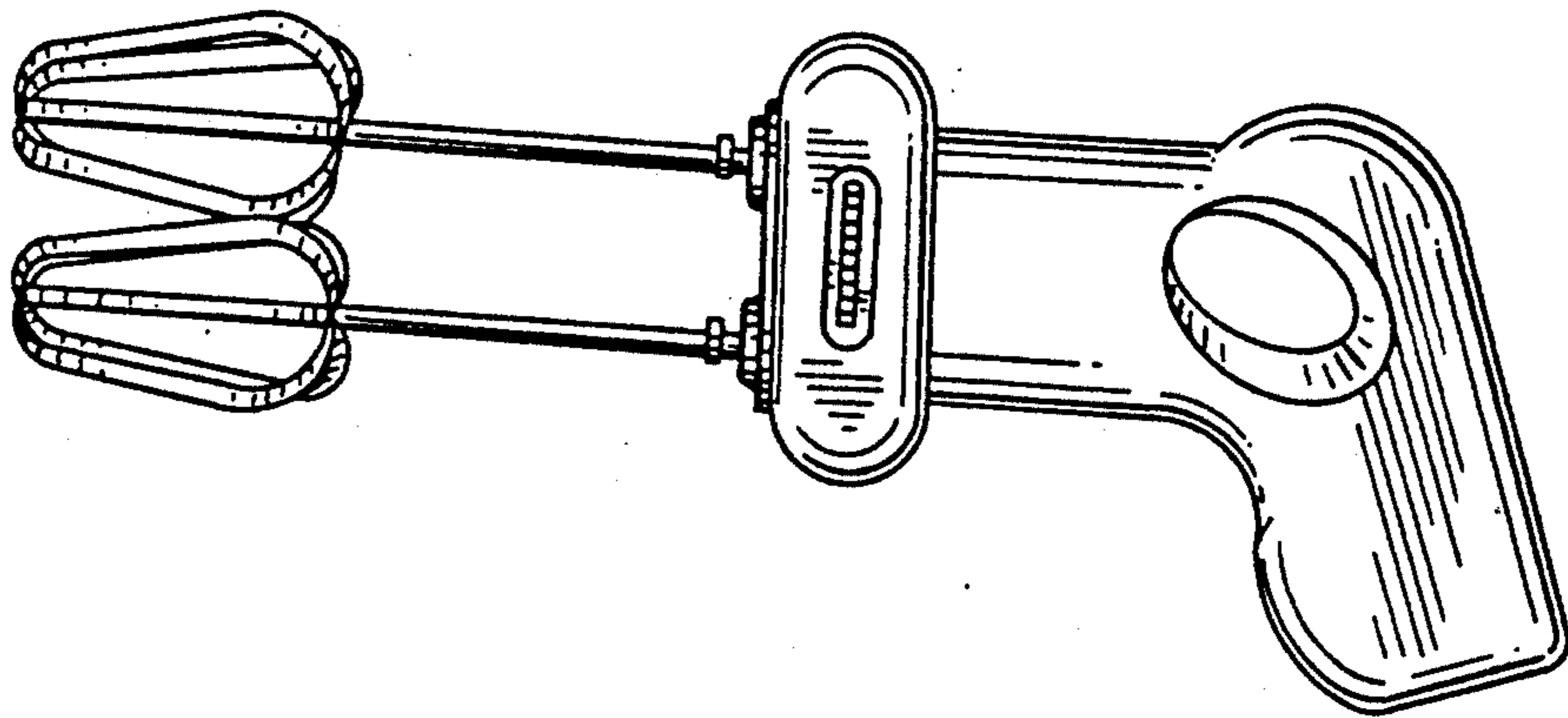


FIG. 2

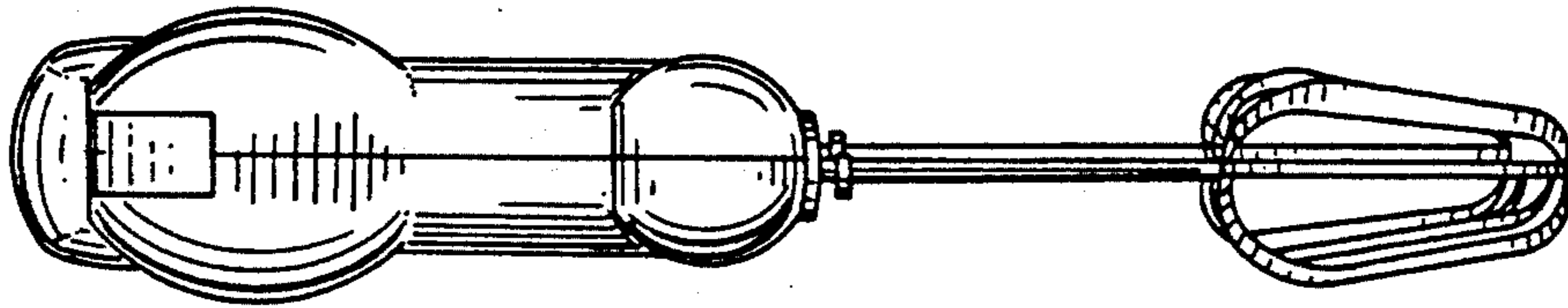


FIG. 3

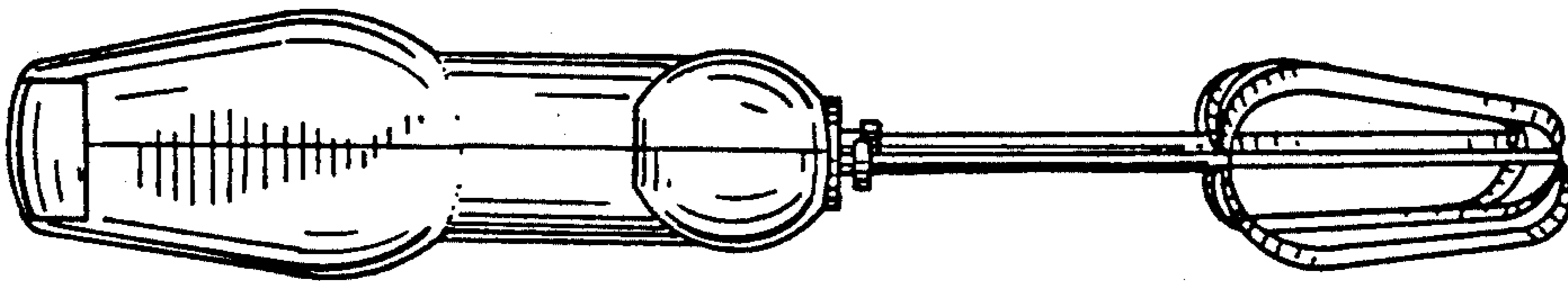


FIG. 4

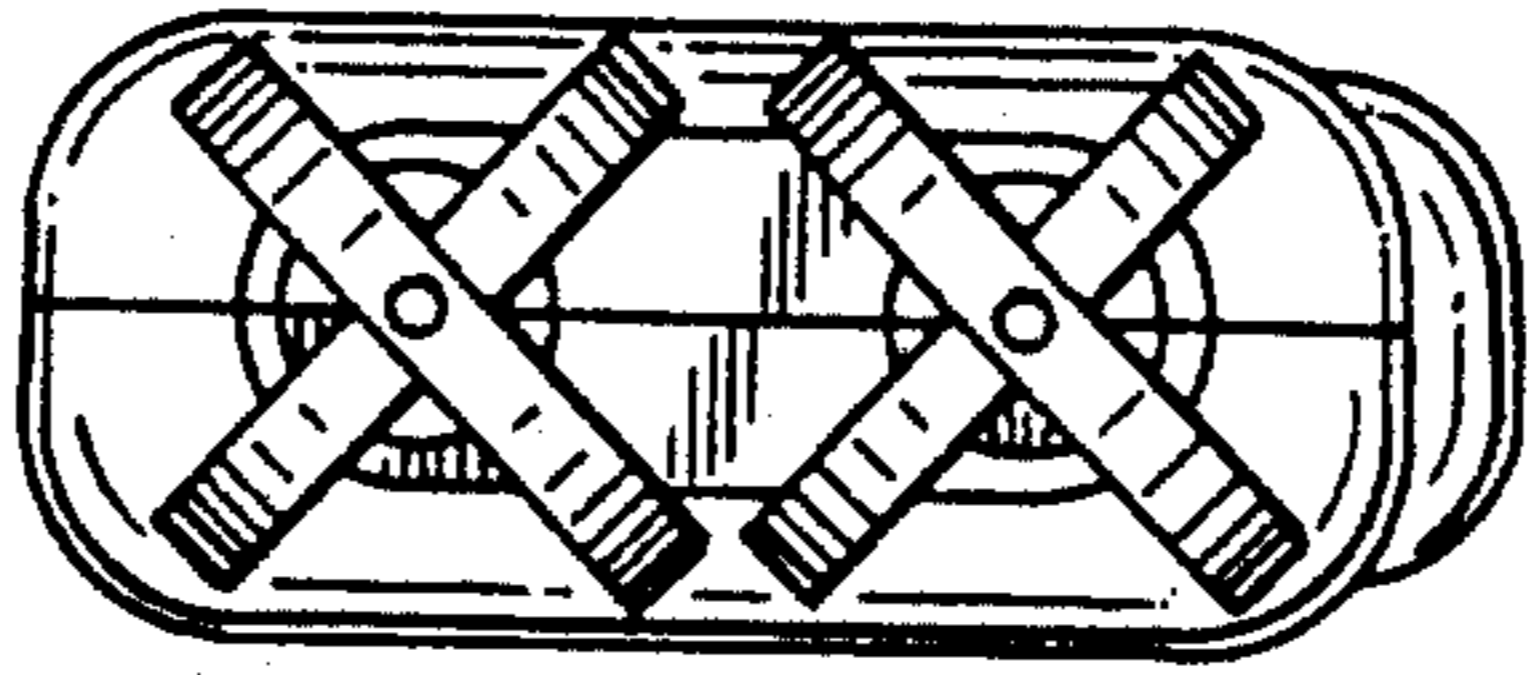


FIG. 5

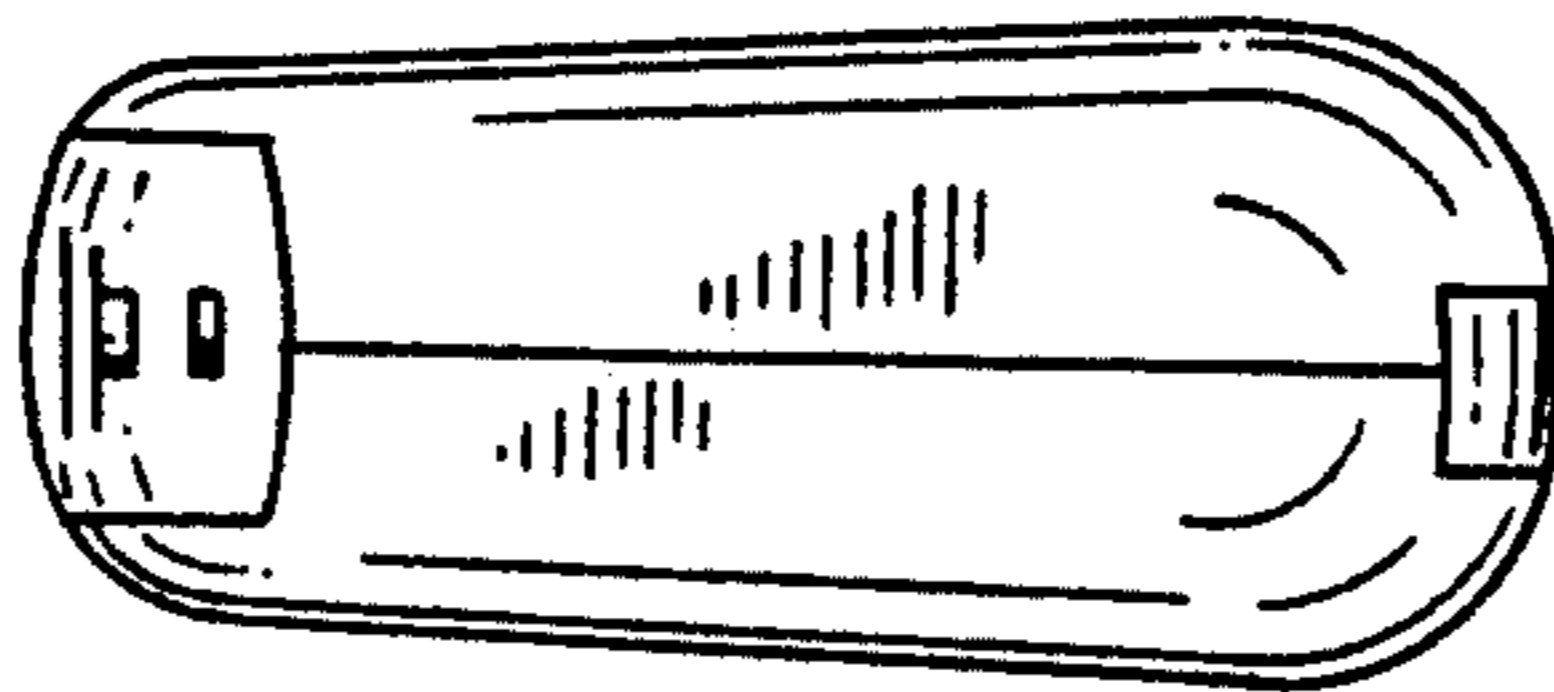


FIG. 6

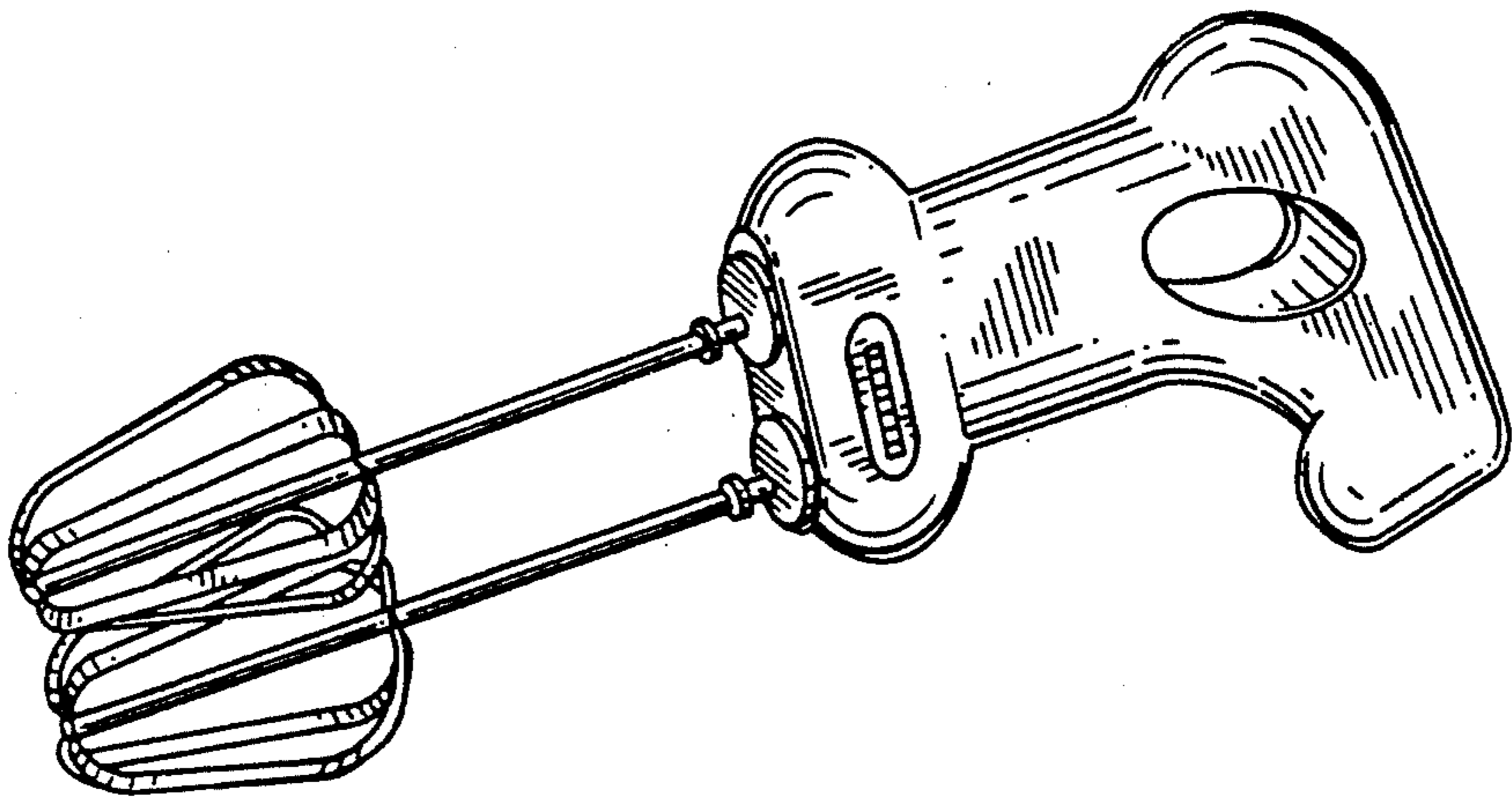


FIG. 7