

[54] COUNTER GRILL

[75] Inventor: Richard J. Anetsberger, Northbrook, Ill.

[73] Assignee: Anetsberger Brothers, Inc., Northbrook, Ill.

[**] Term: 14 Years

[21] Appl. No.: 202,919

[22] Filed: Jun. 3, 1988

[52] U.S. Cl. D7/363; D7/350

[58] Field of Search D7/362, 363-367, D7/323, 403, 409, 350; 99/425, 422, 446; 219/443, 445, 446, 448, 457, 458

[56]

References Cited

U.S. PATENT DOCUMENTS

D. 115,142	6/1939	Bergholm	D7/363
D. 176,117	11/1955	Hanson	D7/363
D. 230,371	2/1974	Philipe	D7/350
2,715,173	8/1955	Farquharson	99/422
2,980,101	4/1961	Anetsberger	99/425

Primary Examiner—A. Hugo Word

Assistant Examiner—R. T. Seifert

Attorney, Agent, or Firm—McCaleb, Lucas & Brugman

[57]

CLAIM

The ornamental design for a counter grill, as shown.

DESCRIPTION

FIG. 1 is a perspective view of a counter grill showing my new design;

FIG. 2 is a side elevational view, the opposite side being a mirror image; and

FIG. 3 is a front elevational view.

The rear and bottom sides are plain and unornamented.

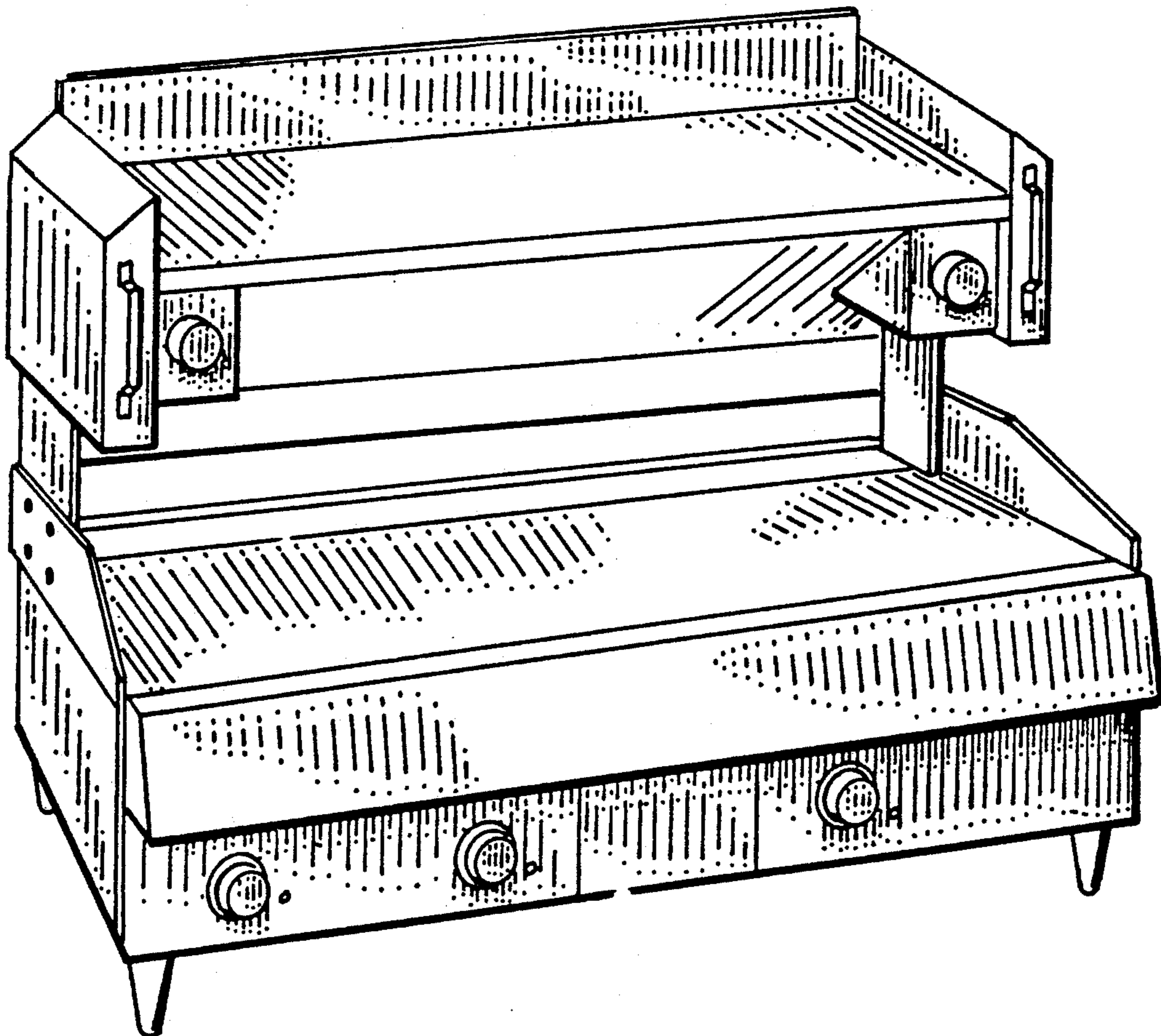


FIG. 2

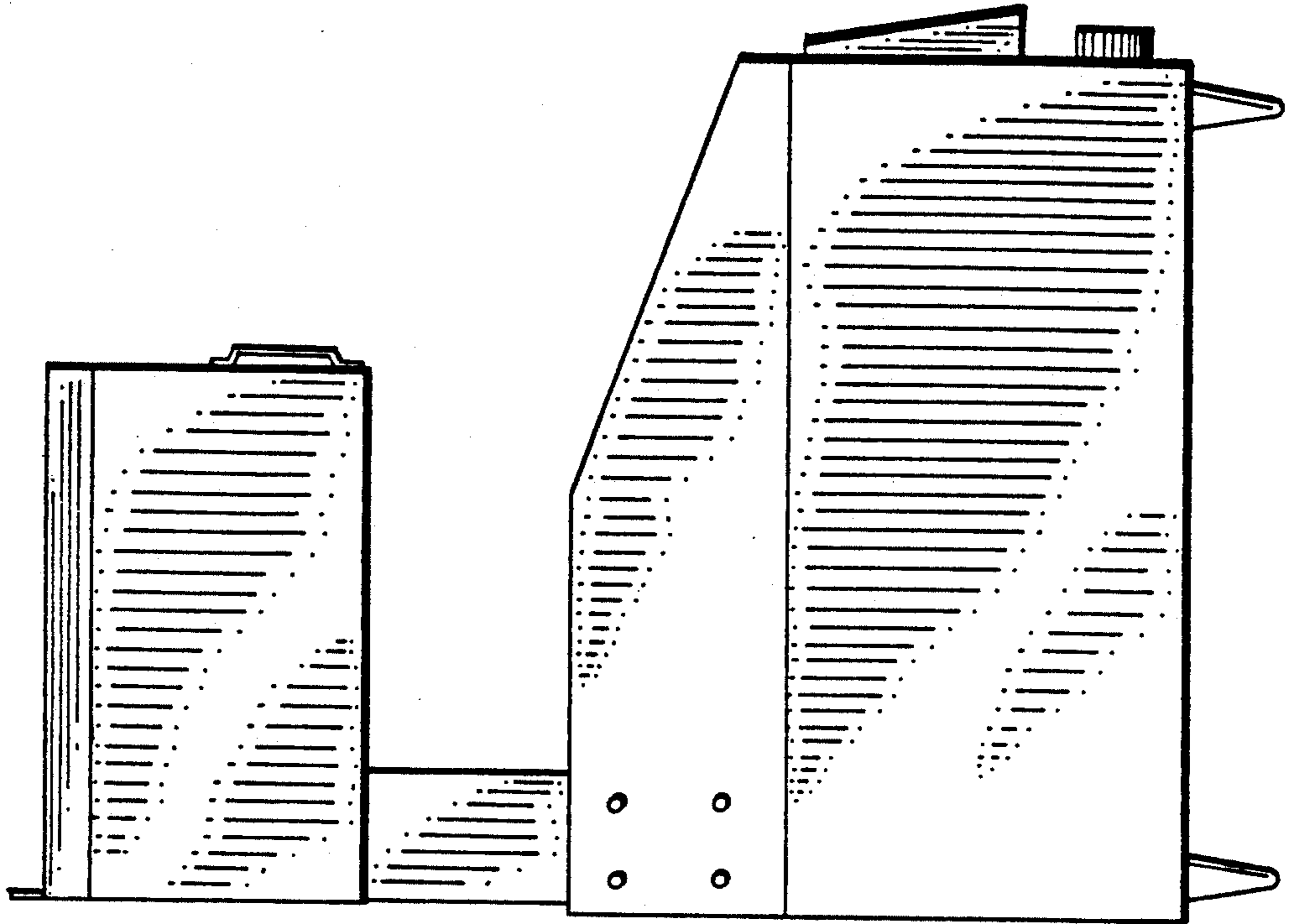


FIG. 1

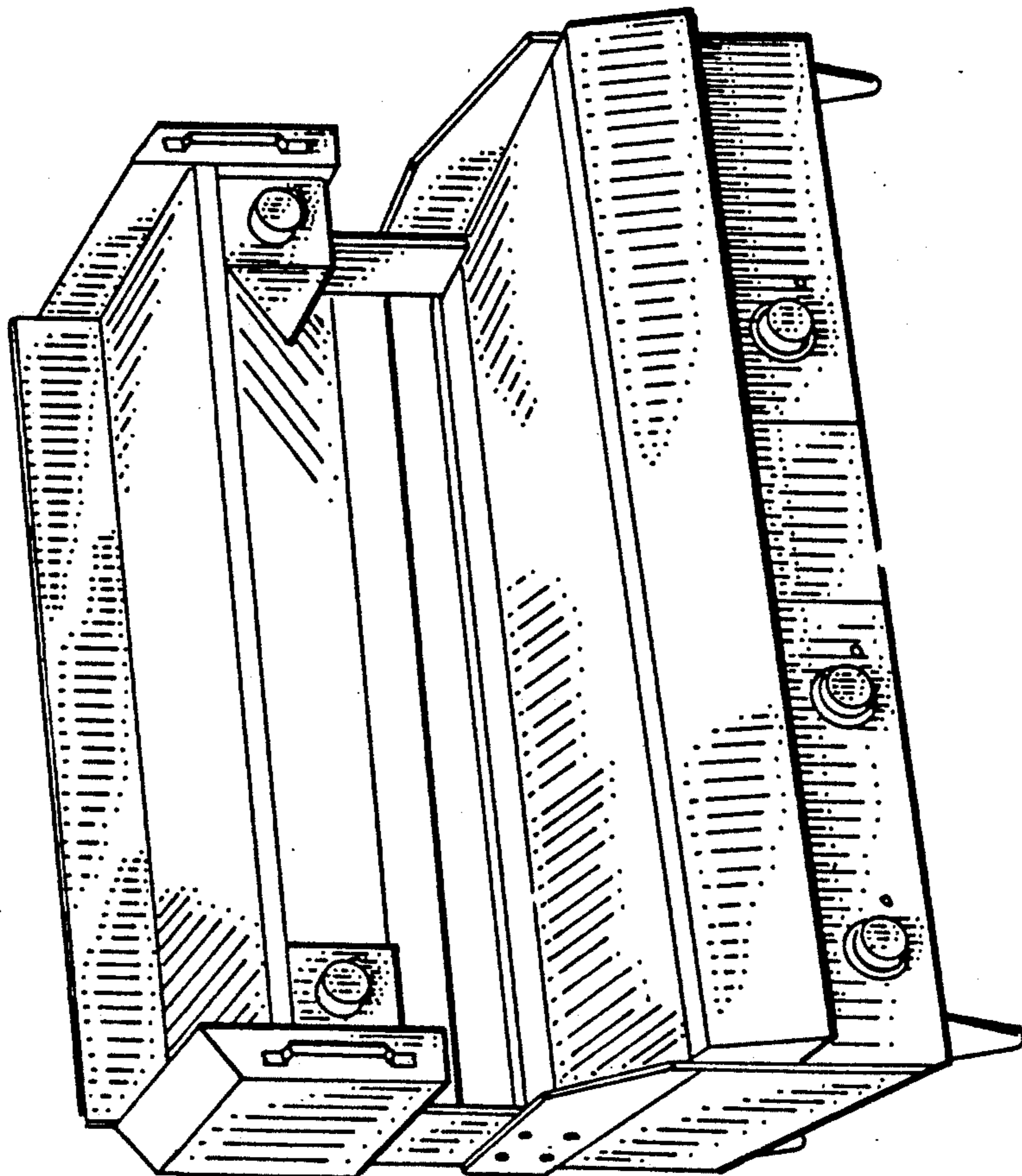


FIG. 3

