

[54] COMBINED COFFEE AND ESPRESSO MAKING MACHINE

D. 297,098 8/1988 Ohya et al. D7/309
D. 298,402 11/1988 Seiffert D7/310 X
4,644,856 2/1987 Borgmann 99/294 X

[75] Inventor: Thomas Hasslacher, Starnberg, Fed. Rep. of Germany

OTHER PUBLICATIONS

Schöner Wohnen, Nov., 1982, p. 43, "Espresso-Kaffee—Center von Siemens".

[73] Assignee: Robert Kurps Stiftung & Co. KG., Solingen, Fed. Rep. of Germany

Primary Examiner—Winifred E. Herrmann
Attorney, Agent, or Firm—Peter K. Kontler

[**] Term: 14 Years

[21] Appl. No.: 182,051

[57] CLAIM

[22] Filed: Apr. 14, 1988

The ornamental design for a combined coffee and espresso making machine, as shown and described.

[30] Foreign Application Priority Data

DESCRIPTION

Dec. 1, 1987 [DE] Fed. Rep. of Germany 5MR9814

[52] U.S. Cl. D7/308; D7/309

[58] Field of Search D7/300, 301, 305-309, D7/310-313

FIG. 1 is a top, front, and right side perspective view of a combined coffee and espresso making machine showing my new design;

FIG. 2 is a front elevational view thereof;

FIG. 3 is a rear elevational view thereof;

FIG. 4 is a left side elevational view thereof;

FIG. 5 is a top plan view thereof;

FIG. 6 is a bottom plan view thereof; and

FIG. 7 is a right side elevational view thereof.

[56] References Cited

U.S. PATENT DOCUMENTS

D. 269,183 5/1983 van Asten D7/309
D. 295,486 5/1988 Eugster et al. D7/309

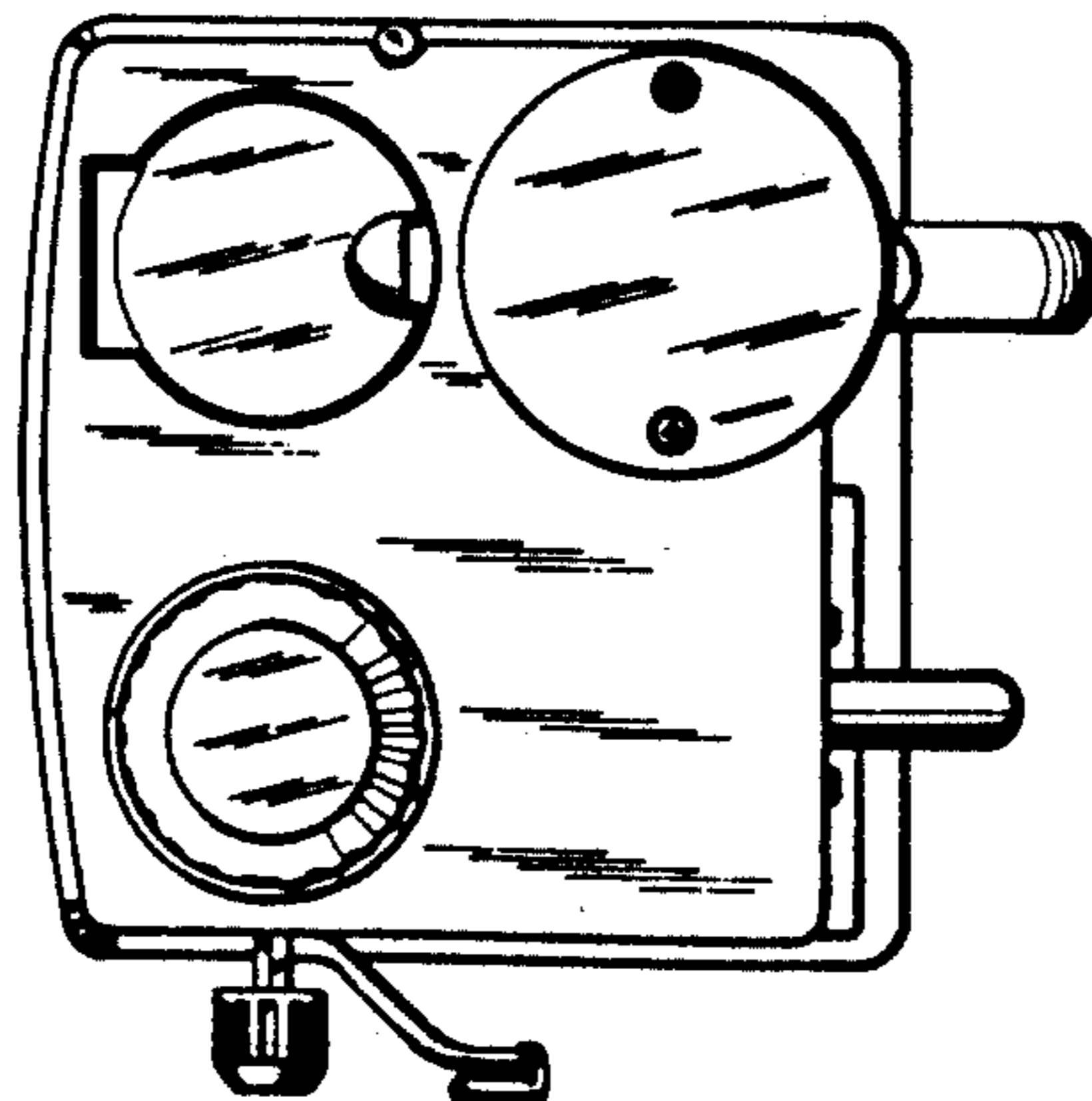
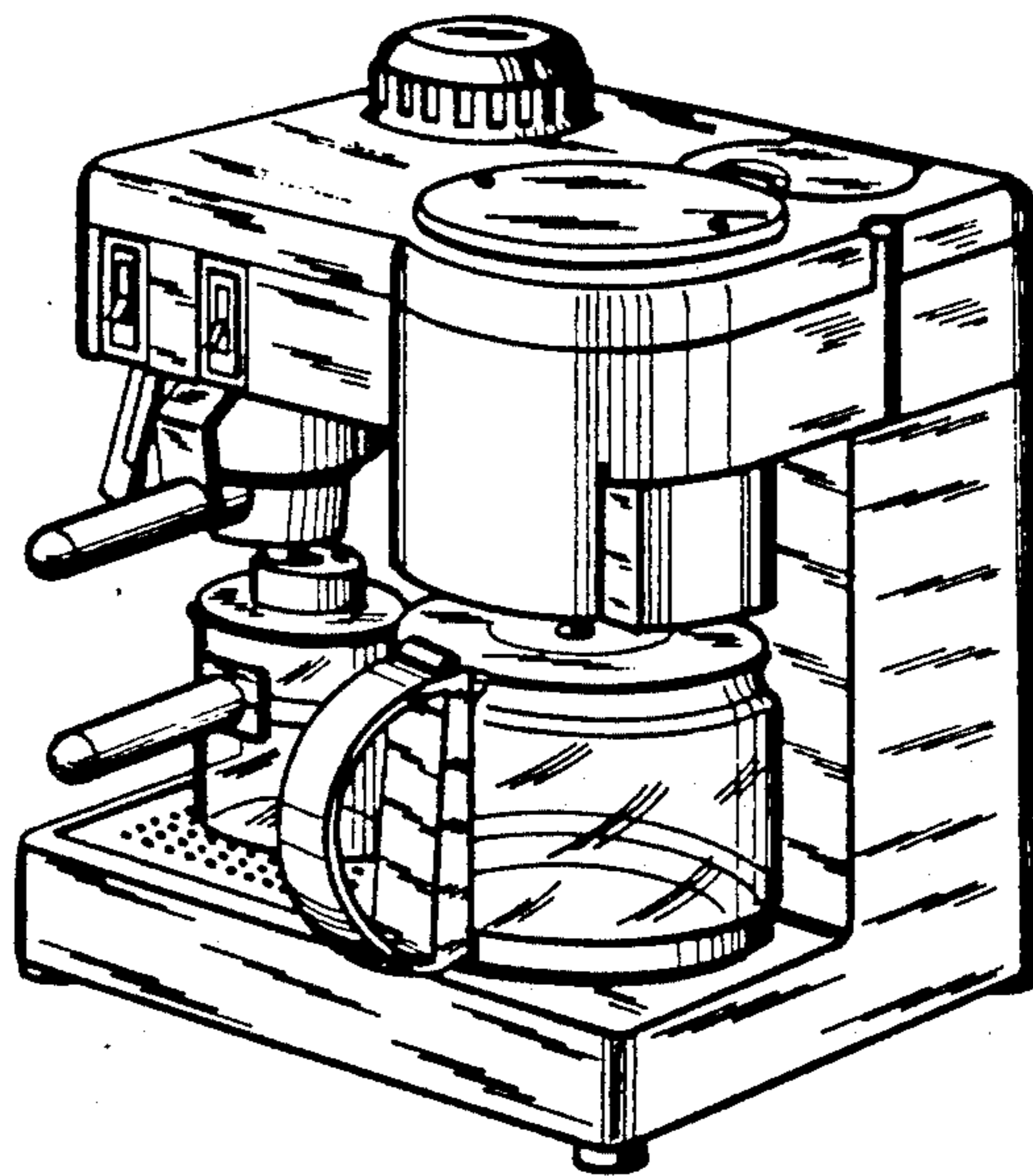
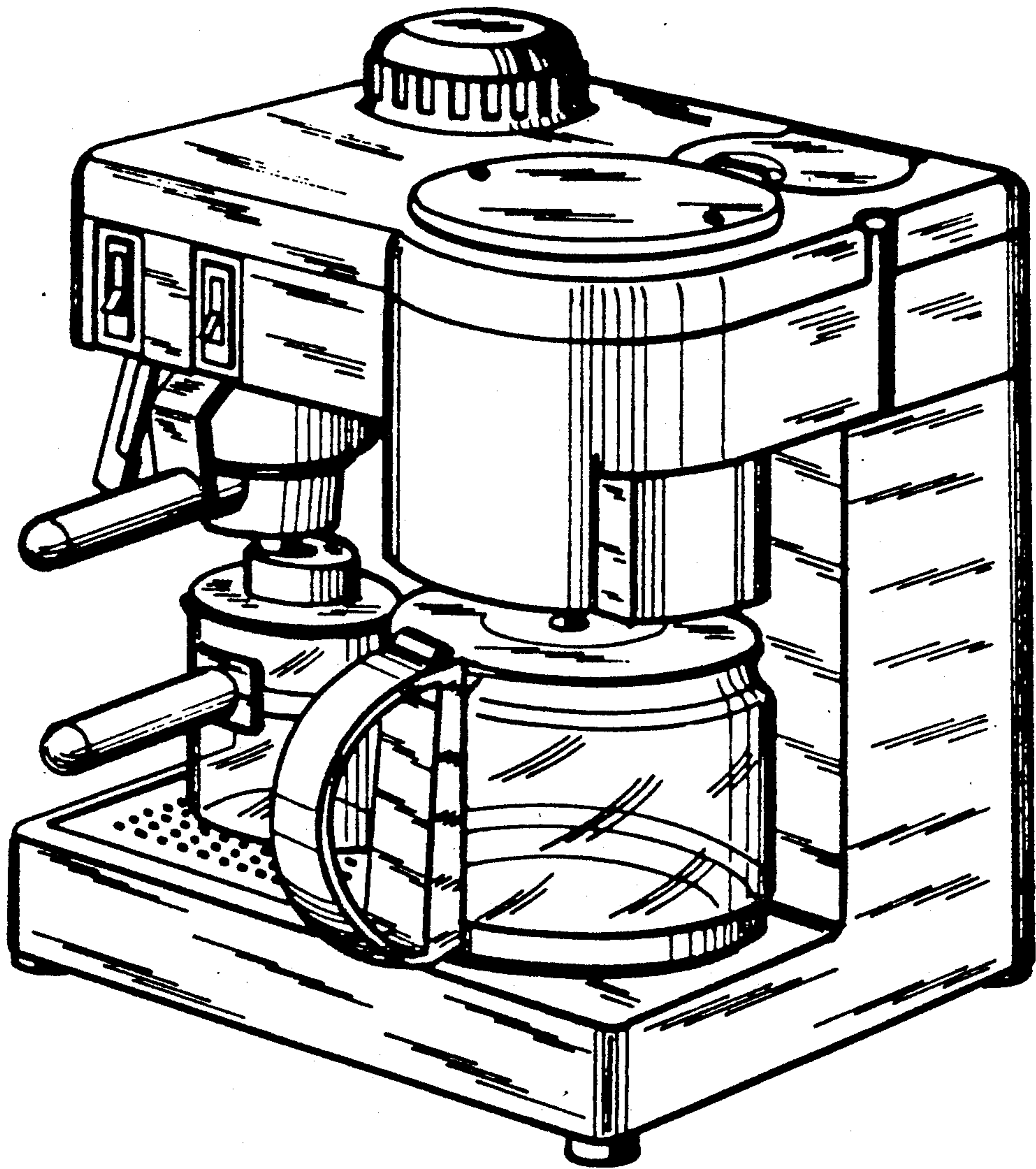


FIG. 1



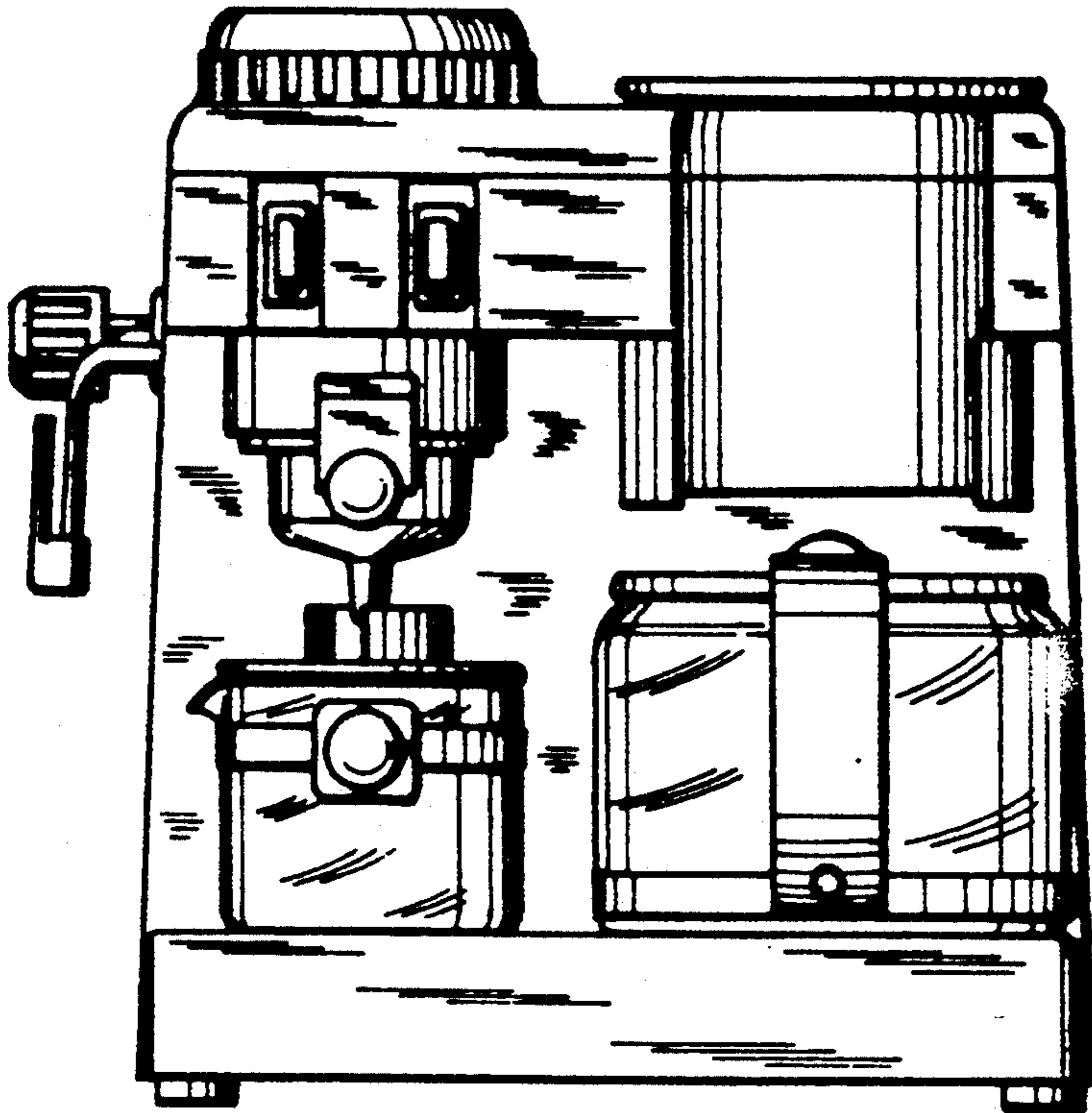


FIG. 2

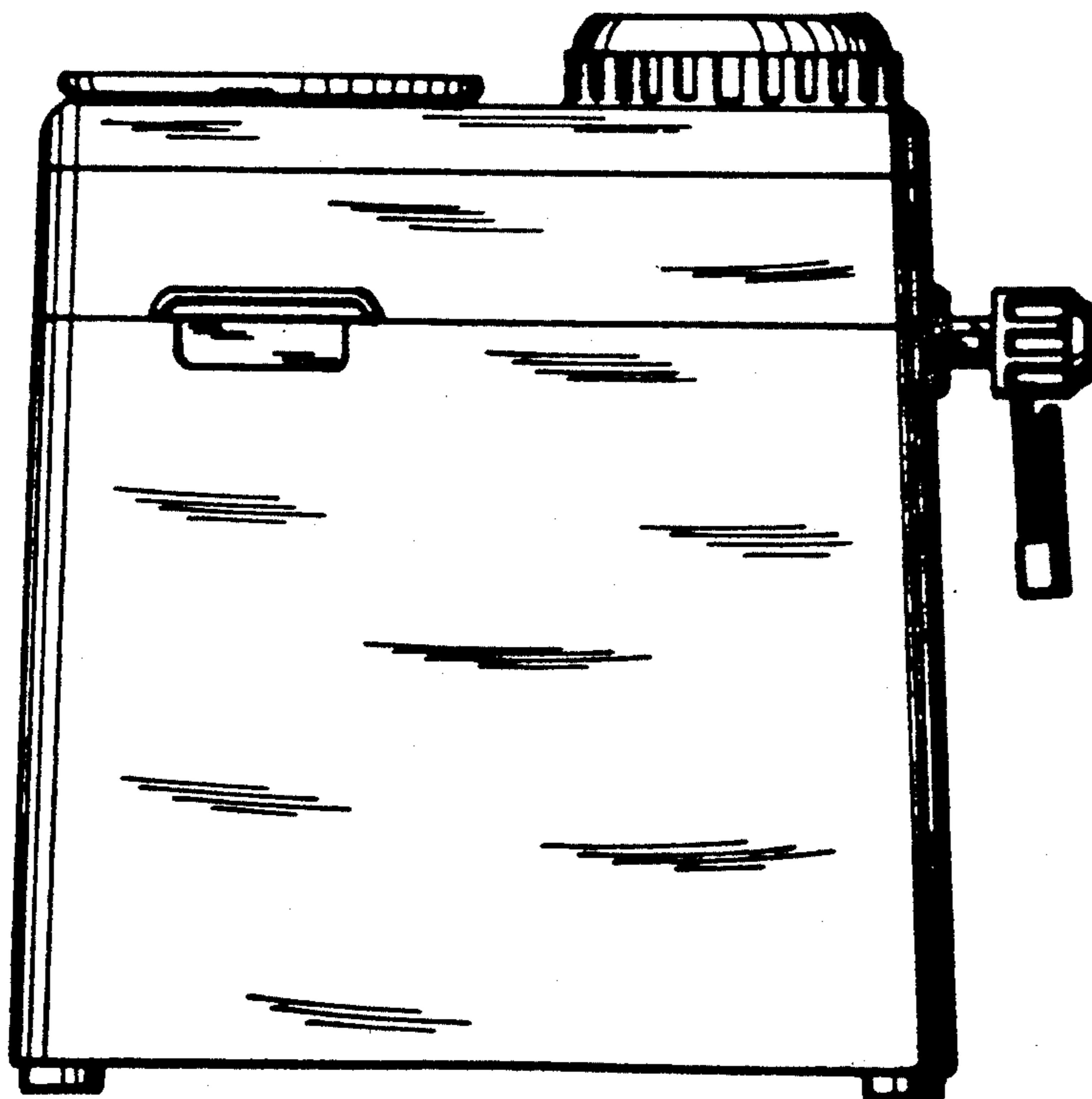


FIG. 3

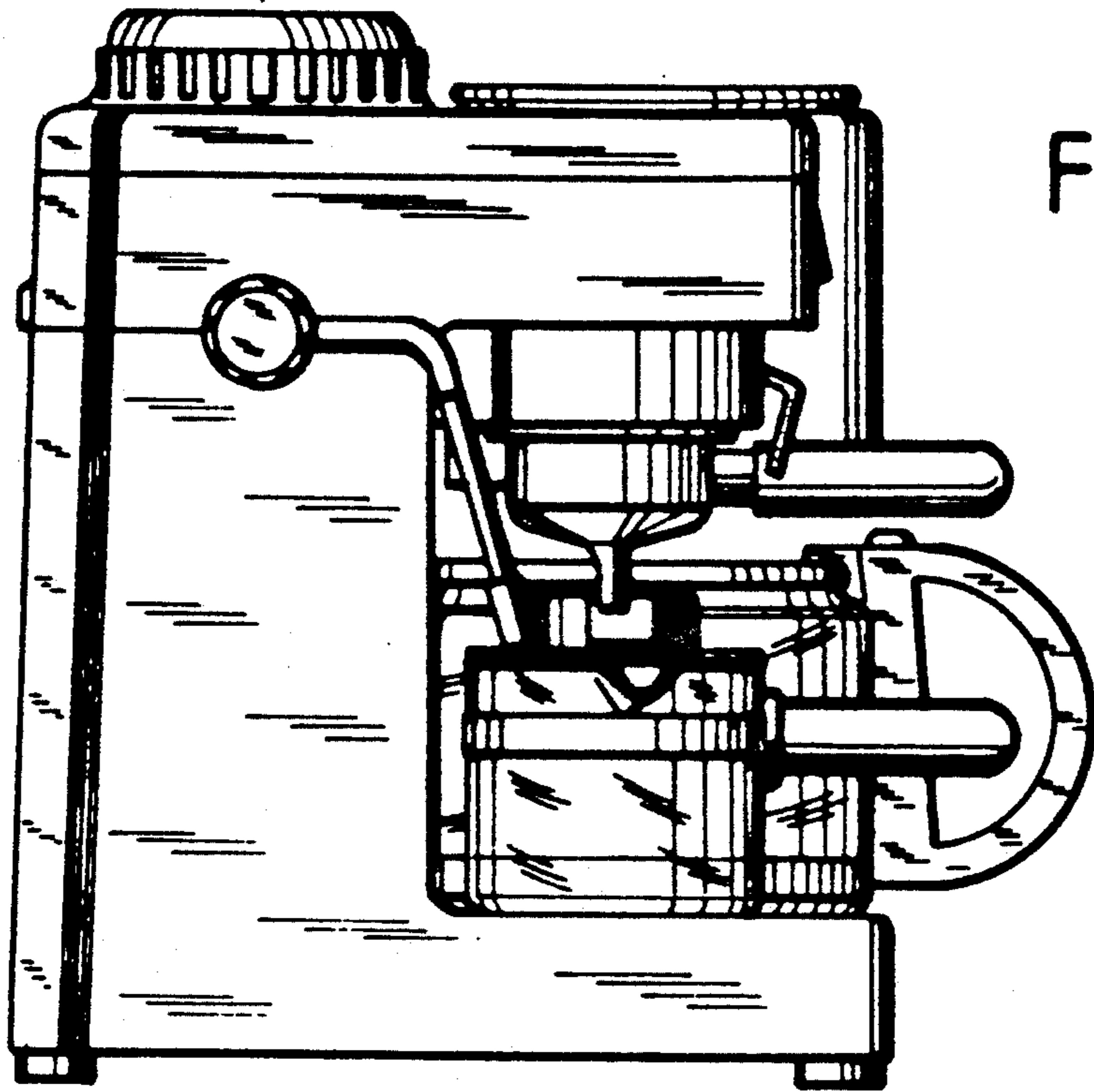


FIG. 4

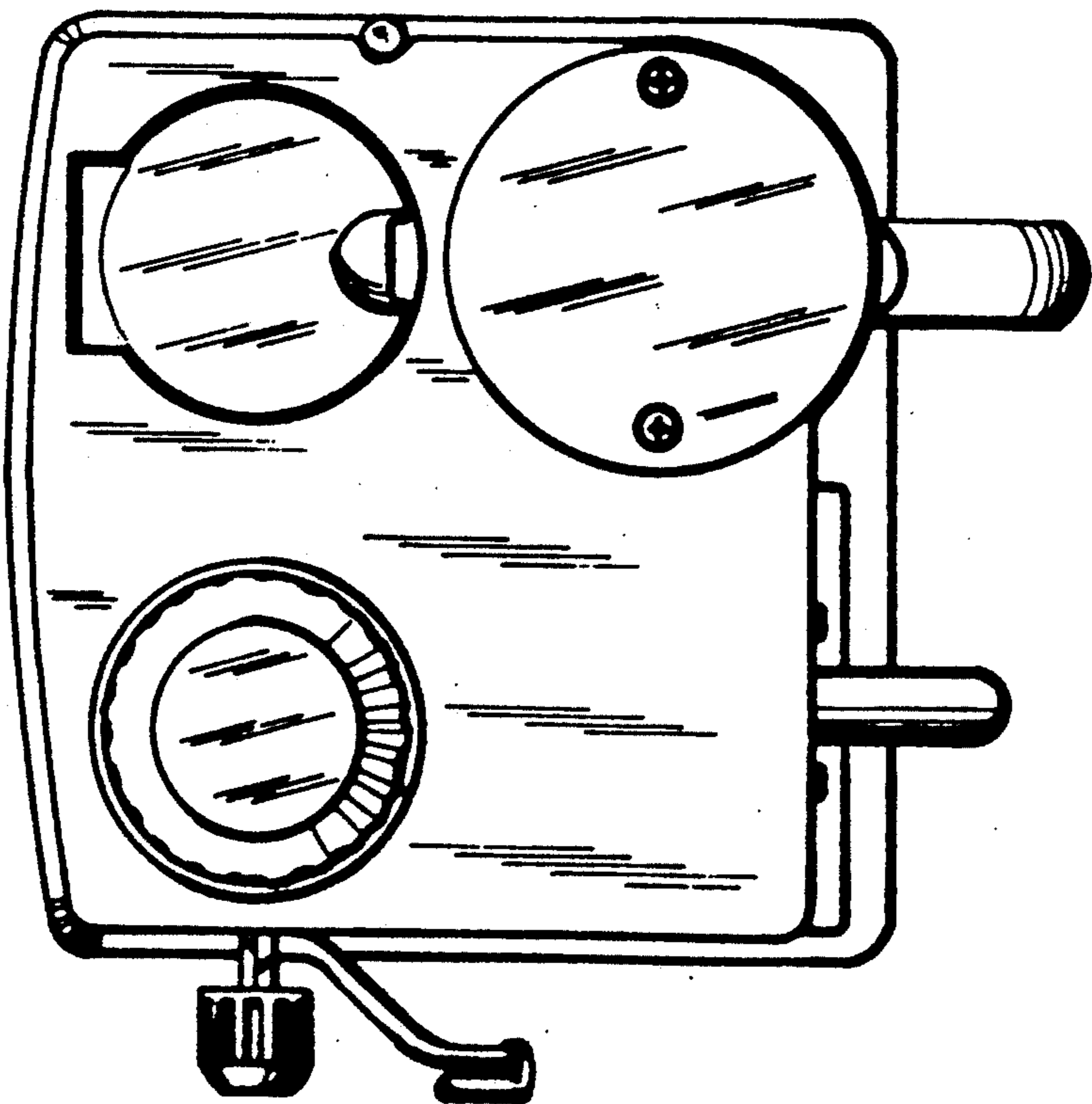


FIG. 5

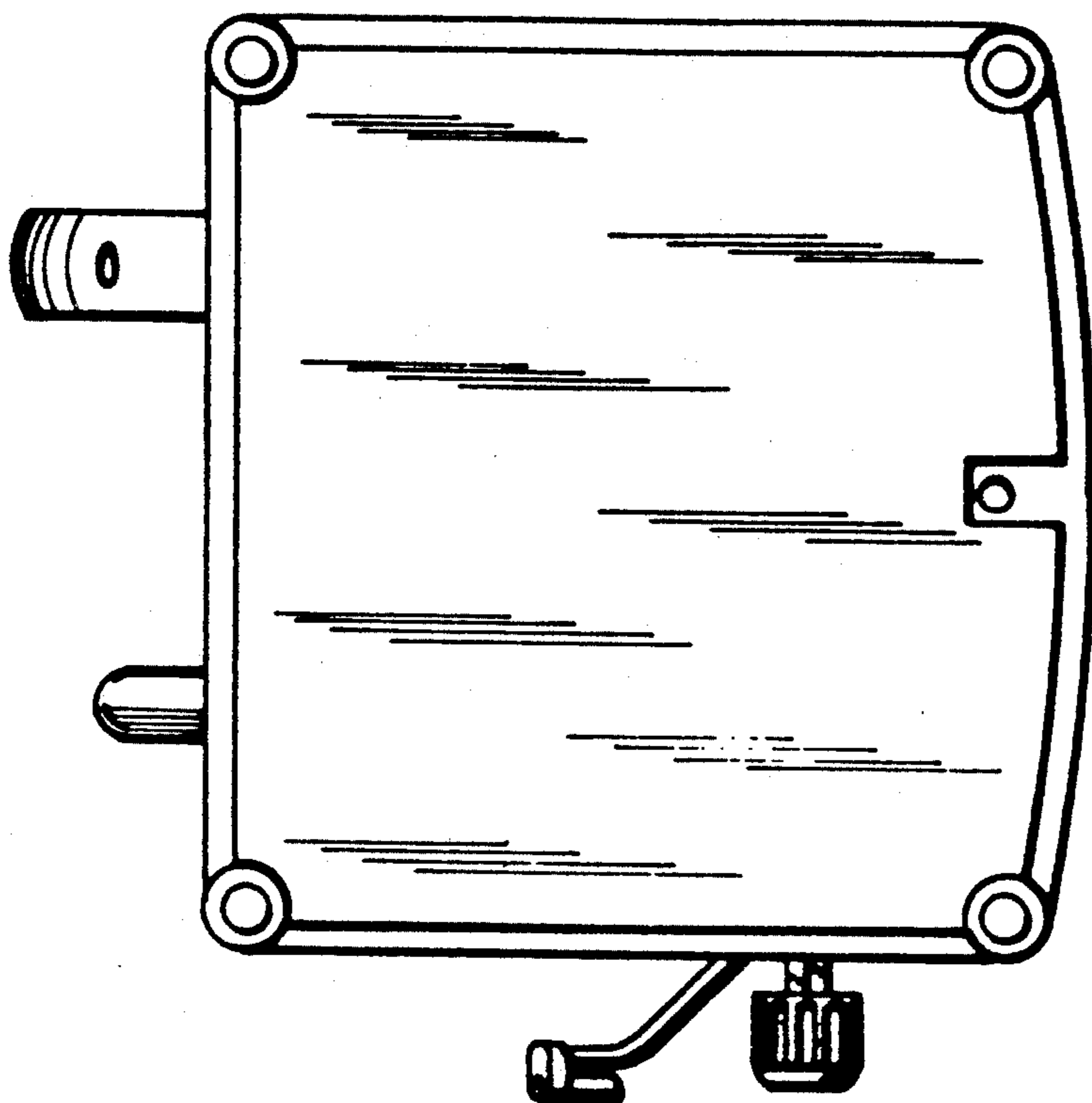


FIG. 6

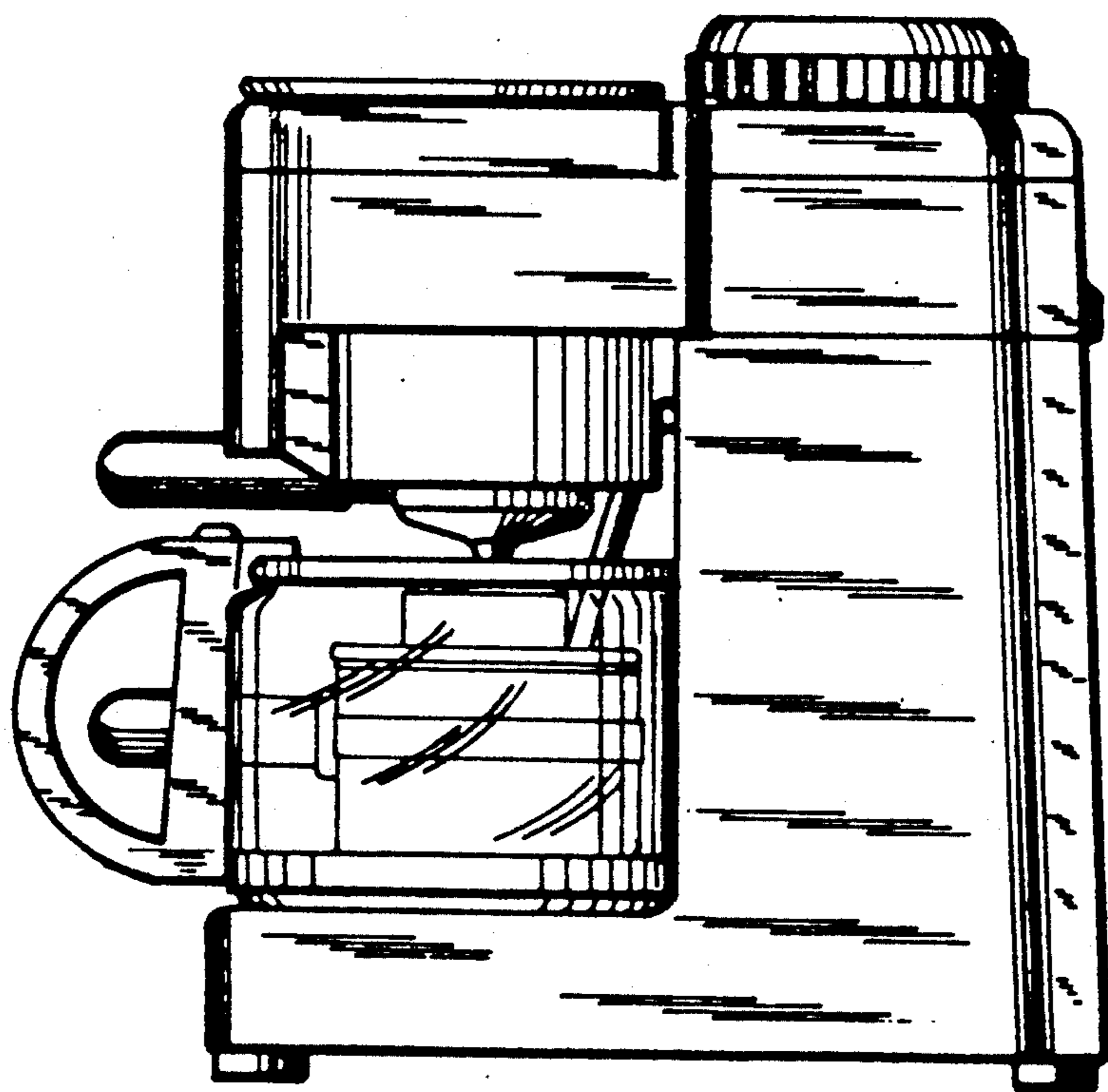


FIG. 7