

[54] CAMPER'S TABLECLOTH SET

[76] Inventor: Linda Mitchell, Box 1420, Troy, Me. 94987

[\*\*] Term: 14 Years

[21] Appl. No.: 396,457

[22] Filed: Aug. 21, 1989

[52] U.S. Cl. .... D6/617; D6/611

[58] Field of Search ..... D6/610, 612, 617-618; 150/154, 158; 5/482

[56] References Cited

U.S. PATENT DOCUMENTS

D. 264,790	6/1982	Kamel et al. ....	D6/613
3,310,091	3/1967	Geisen .....	150/158
3,960,193	6/1976	Davis .....	150/158
4,499,133	2/1985	Prince .	
4,705,084	11/1987	Rodebaugh .	
4,750,402	6/1988	Markey .	

OTHER PUBLICATIONS

Patio Sales (10/11/60) p. 13—Picnic Table & Bench Pads set (right side of page).

Primary Examiner—Wallace R. Burke  
Assistant Examiner—Brian N. Vinson  
Attorney, Agent, or Firm—Terry M. Gernstein

[57] CLAIM

The ornamental design for a camper's tablecloth set, as shown and described.

DESCRIPTION

FIG. 1 is a top perspective view of a camper's tablecloth set showing my new design, a portion of the table-top cloth being shown lifted slightly for clarity of illustration;

FIG. 2 is a side elevational view thereof;

FIG. 3 is a top plan view thereof;

FIG. 4 is an opposite side elevational view thereof; and

FIG. 5 is an end elevational view thereof, the opposite end being a mirror image of that shown.

The broken-line illustration of a picnic table and bench in the views is for illustrative purposes only and forms no part of the claimed design.

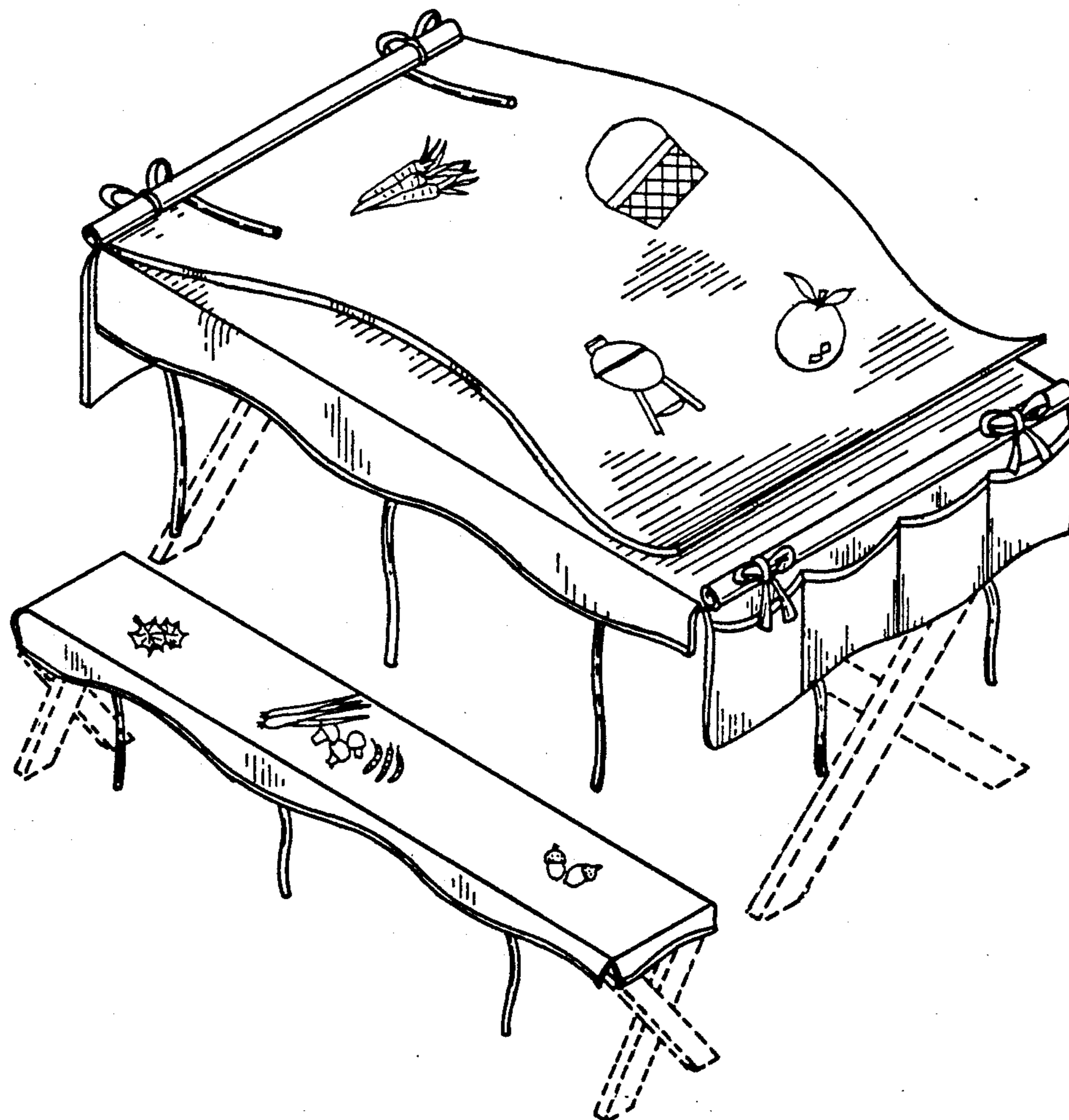


FIG. 1

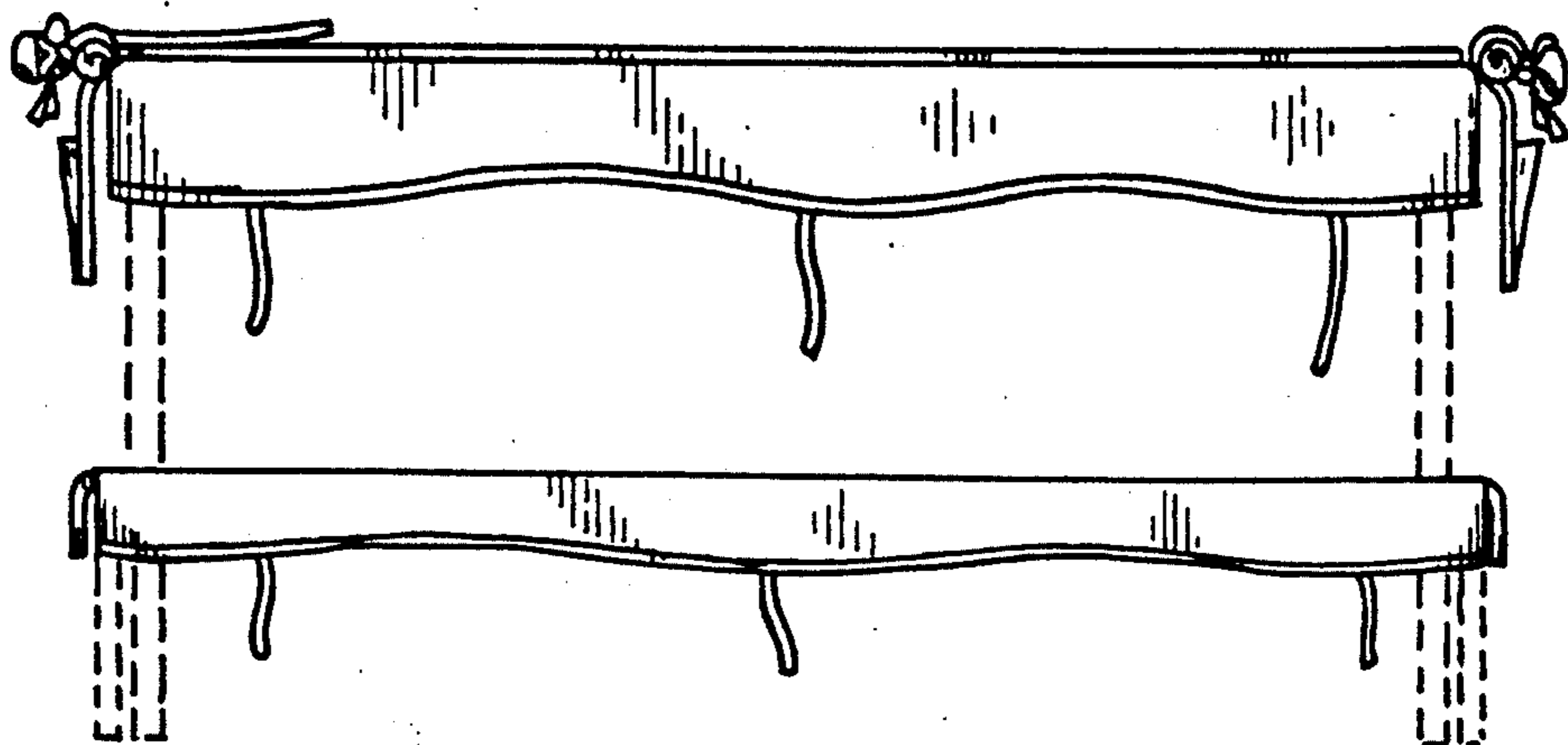
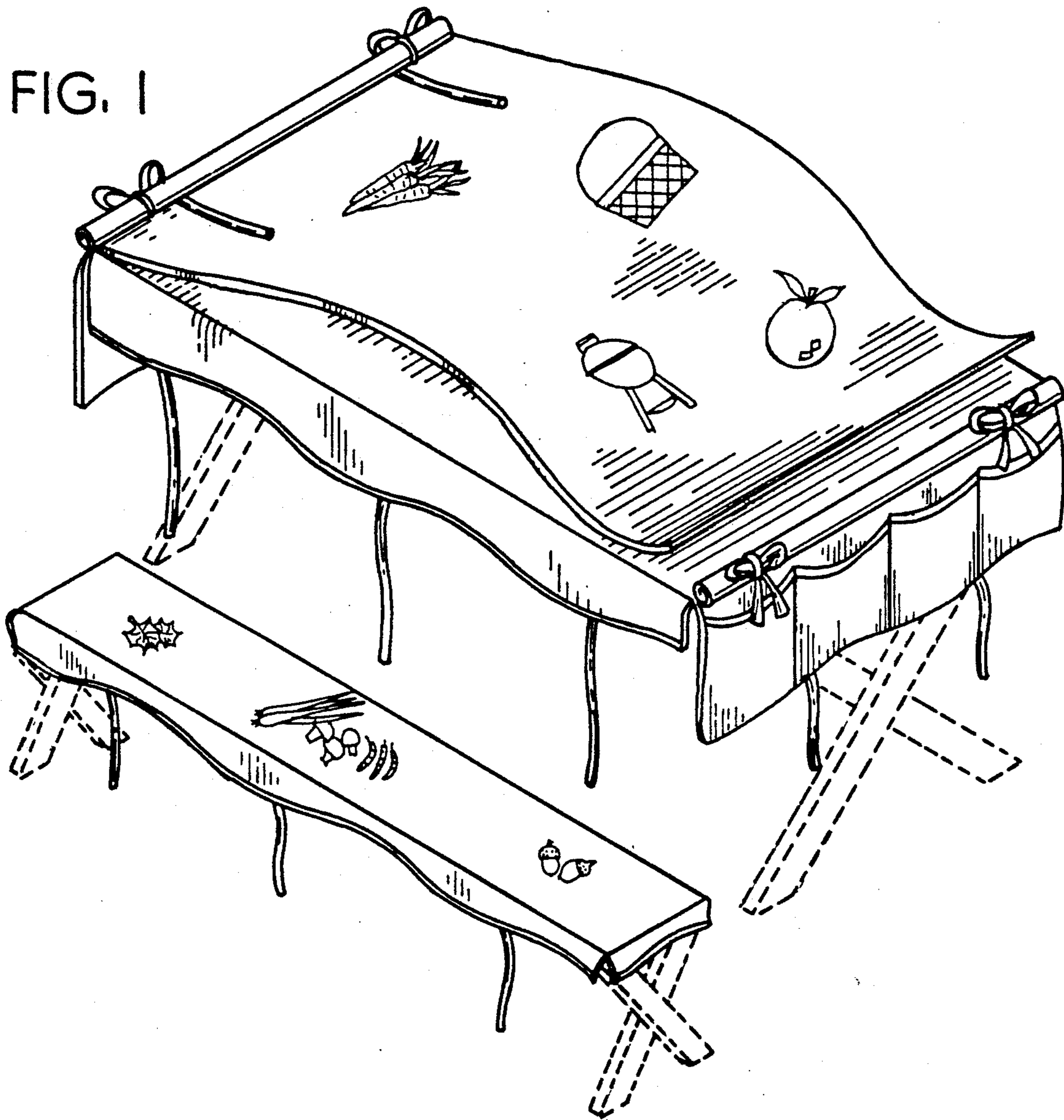


FIG. 2

FIG. 3

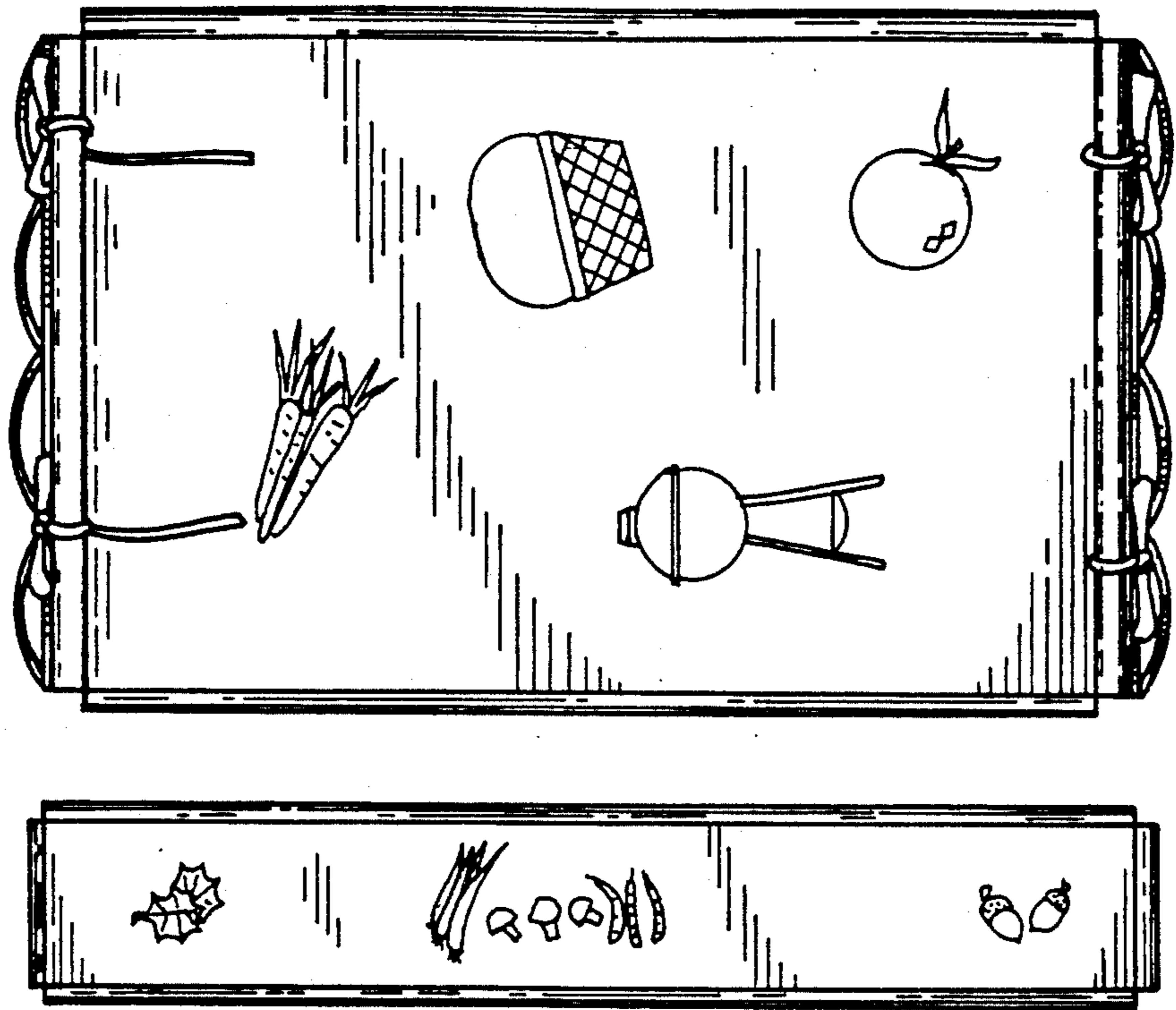


FIG. 4

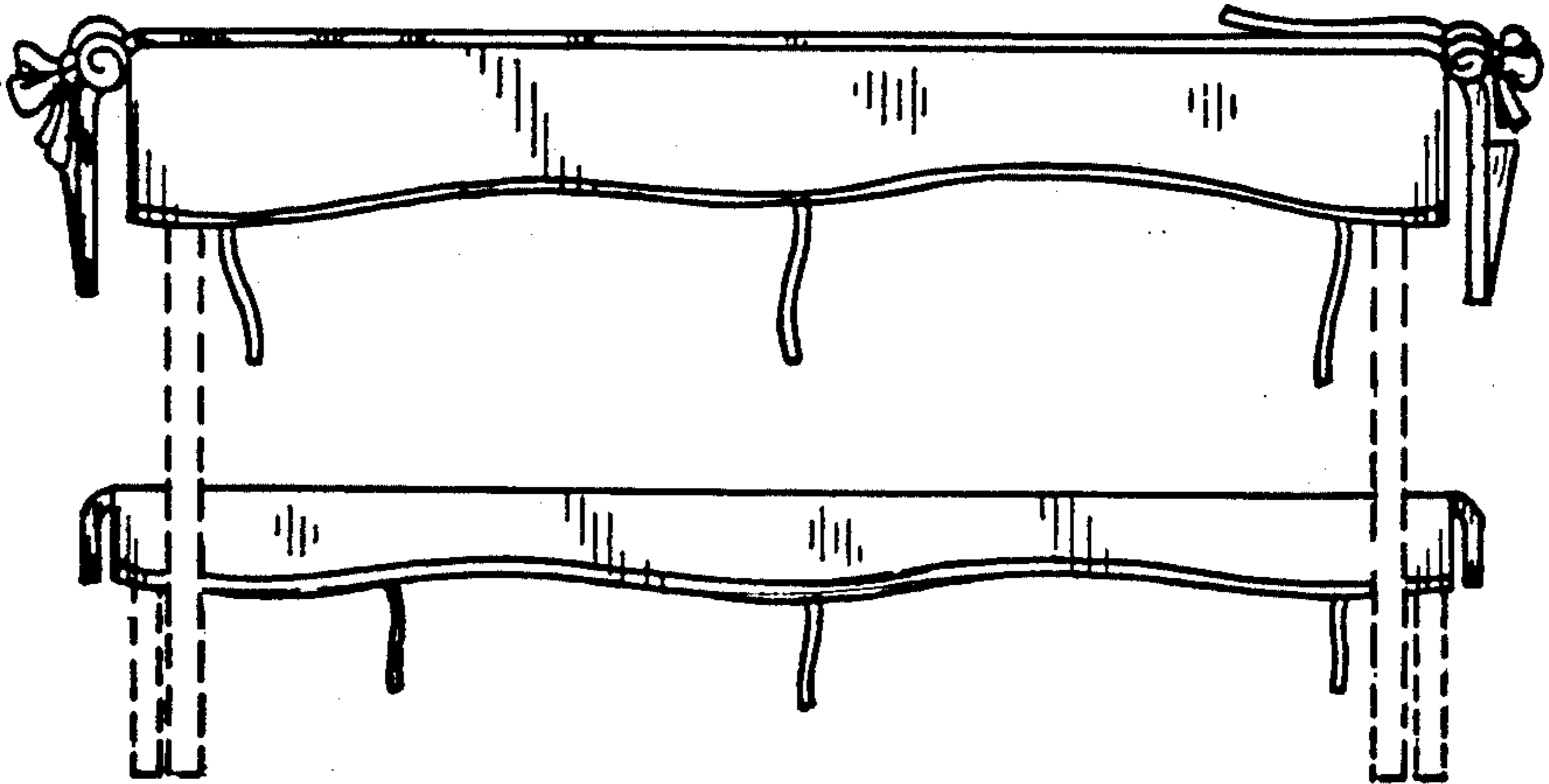


FIG. 5

