

[54] DESK

[75] Inventors: Horst Haseke, Westfalica; Walter Hardt, Paderborn, both of Fed. Rep. of Germany

[73] Assignee: Siemens Nixdorf Informationssysteme AG, Paderborn, Fed. Rep. of Germany

[**] Term: 14 Years

[21] Appl. No.: 220,821

[22] Filed: Jul. 18, 1988

[30] Foreign Application Priority Data

Jan. 19, 1988 [DE] Fed. Rep. of Germany 6 A MR 898

Mar. 10, 1988 [DE] Fed. Rep. of Germany 6 A MR 902

[52] U.S. Cl. D6/474; D6/422; D6/430; D6/477

[58] Field of Search D6/422, 423, 425, 426, D6/427, 428, 429, 430, 431, 411, 412, 413, 414, 415, 477, 478, 479; 248/918, 676, 174, 176; 108/41, 33; 312/208; D18/23

[56]

References Cited

U.S. PATENT DOCUMENTS

D. 77,654	2/1929	Schwartz	D6/477
D. 249,618	9/1978	Oxenhandler	D6/431
D. 266,467	10/1982	YlänköD6	474 X/
D. 266,468	10/1982	YlänköD6	474 X/
D. 288,157	2/1987	Sandor	D6/426 X
D. 304,112	10/1989	Betess	D6/474 X
D. 312,928	12/1990	Scheffers	D6/429
D. 313,327	1/1991	Prvedello et al.	D6/484

Primary Examiner—Bruce W. Dunkins

Assistant Examiner—Jeffrey Asch

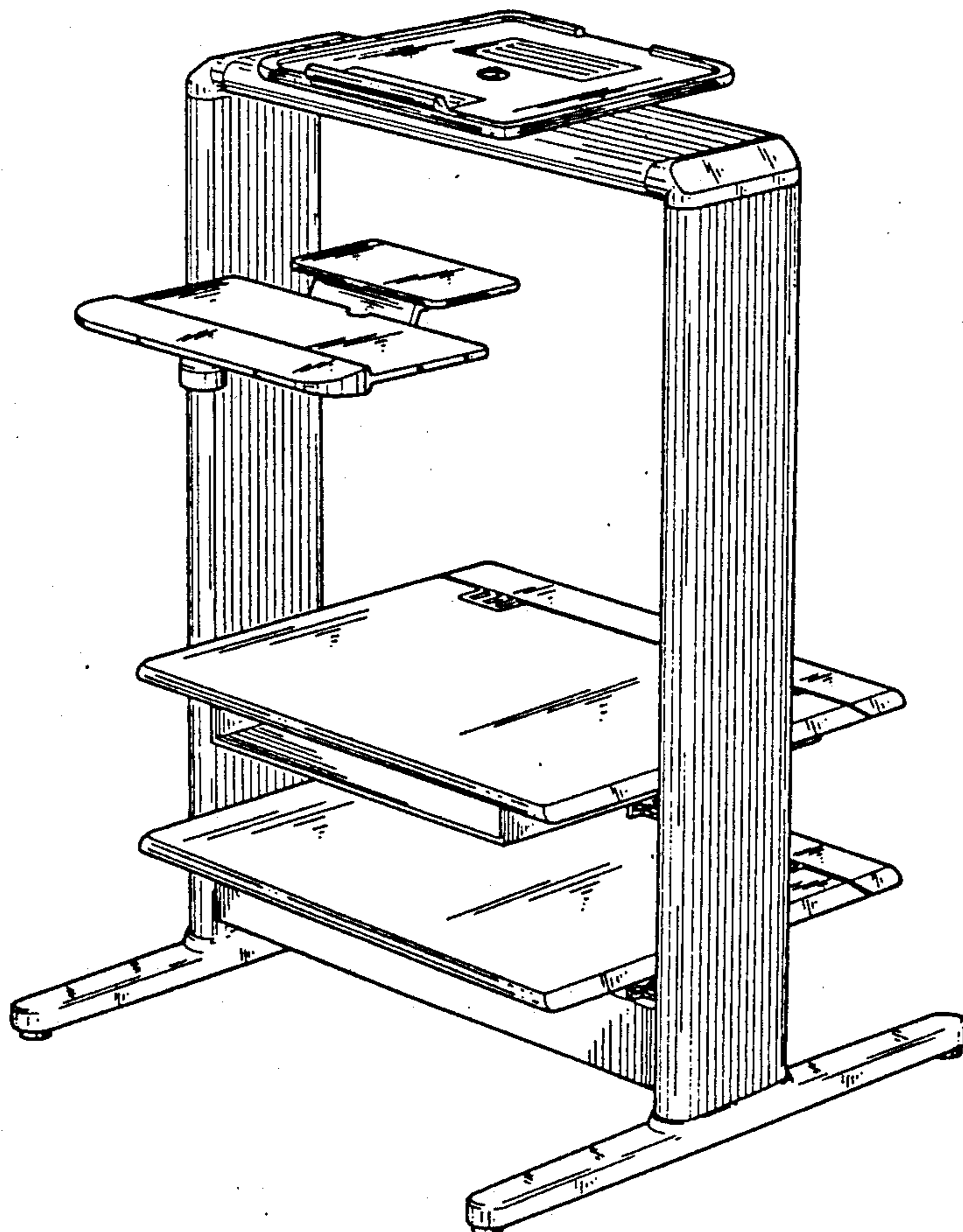
[57]

CLAIM

The ornamental design for a desk, as shown and described.

DESCRIPTION

FIG. 1 is a perspective view of a desk showing my new design;
 FIG. 2 is a front elevational view thereof;
 FIG. 3 is a left side elevational view thereof;
 FIG. 4 is a rear elevational view thereof;
 FIG. 5 is a right side elevational view thereof;
 FIG. 6 is a top plan view thereof; and
 FIG. 7 is an enlarged fragmentary perspective view of a top corner thereof.



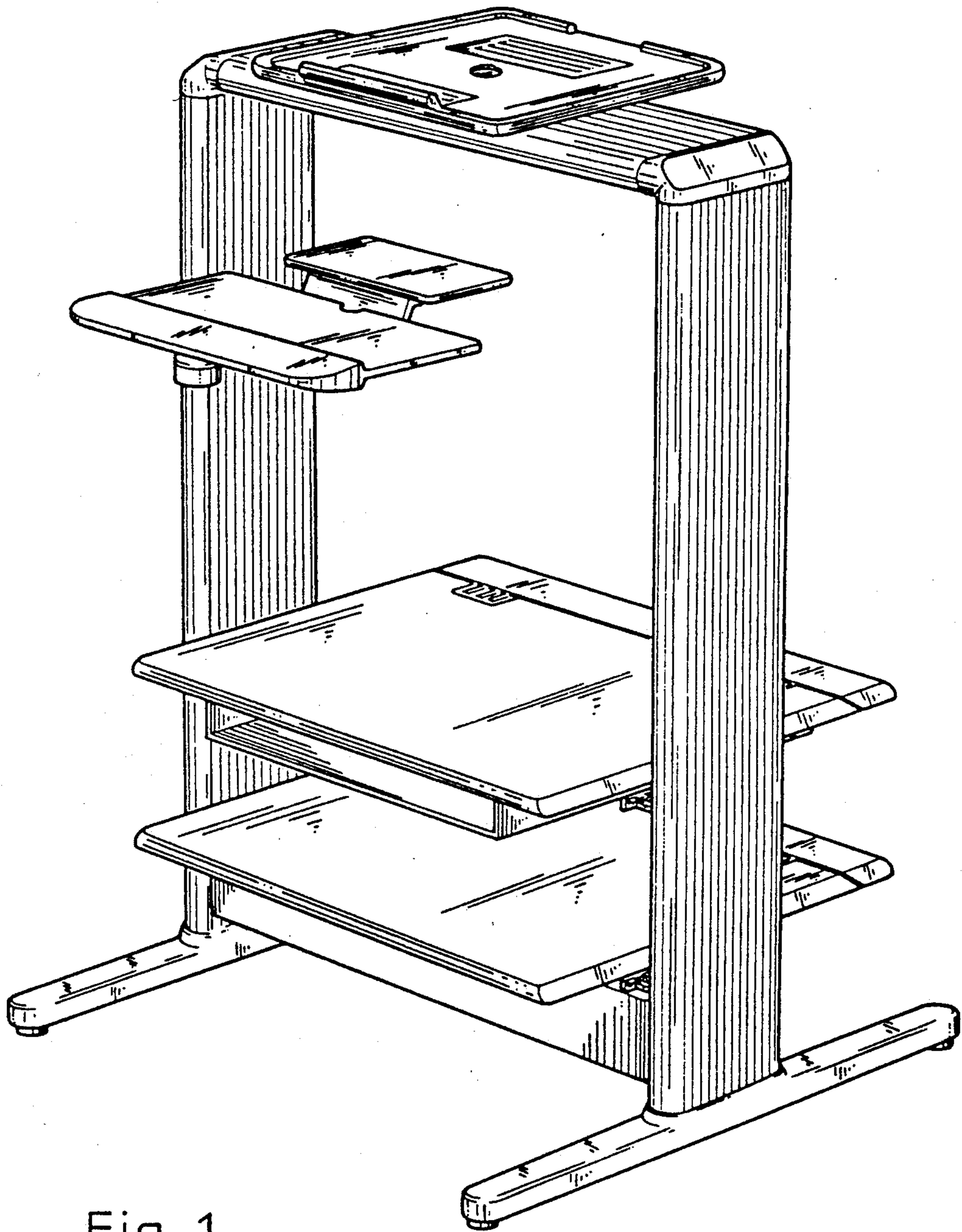


Fig. 1

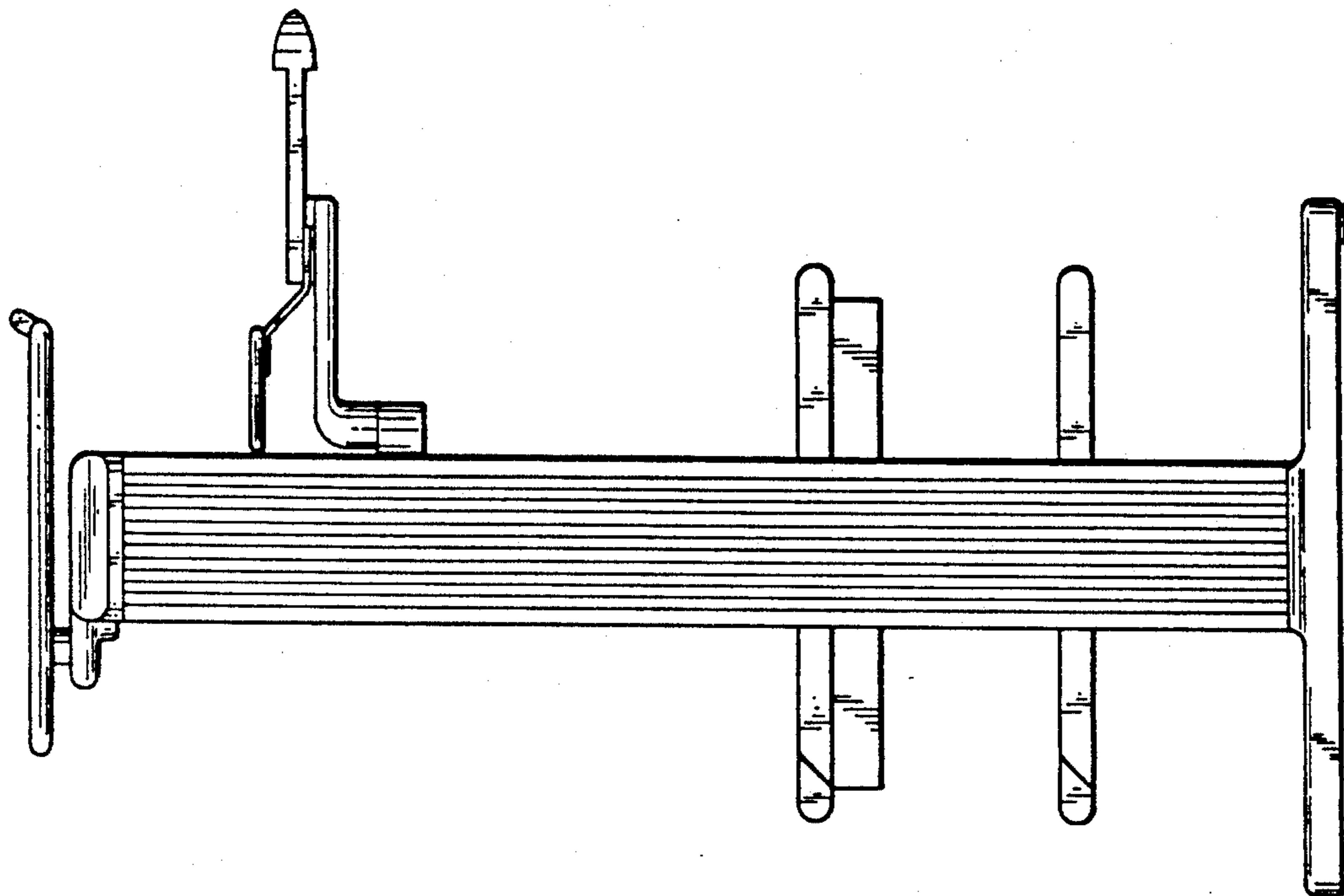


Fig. 3

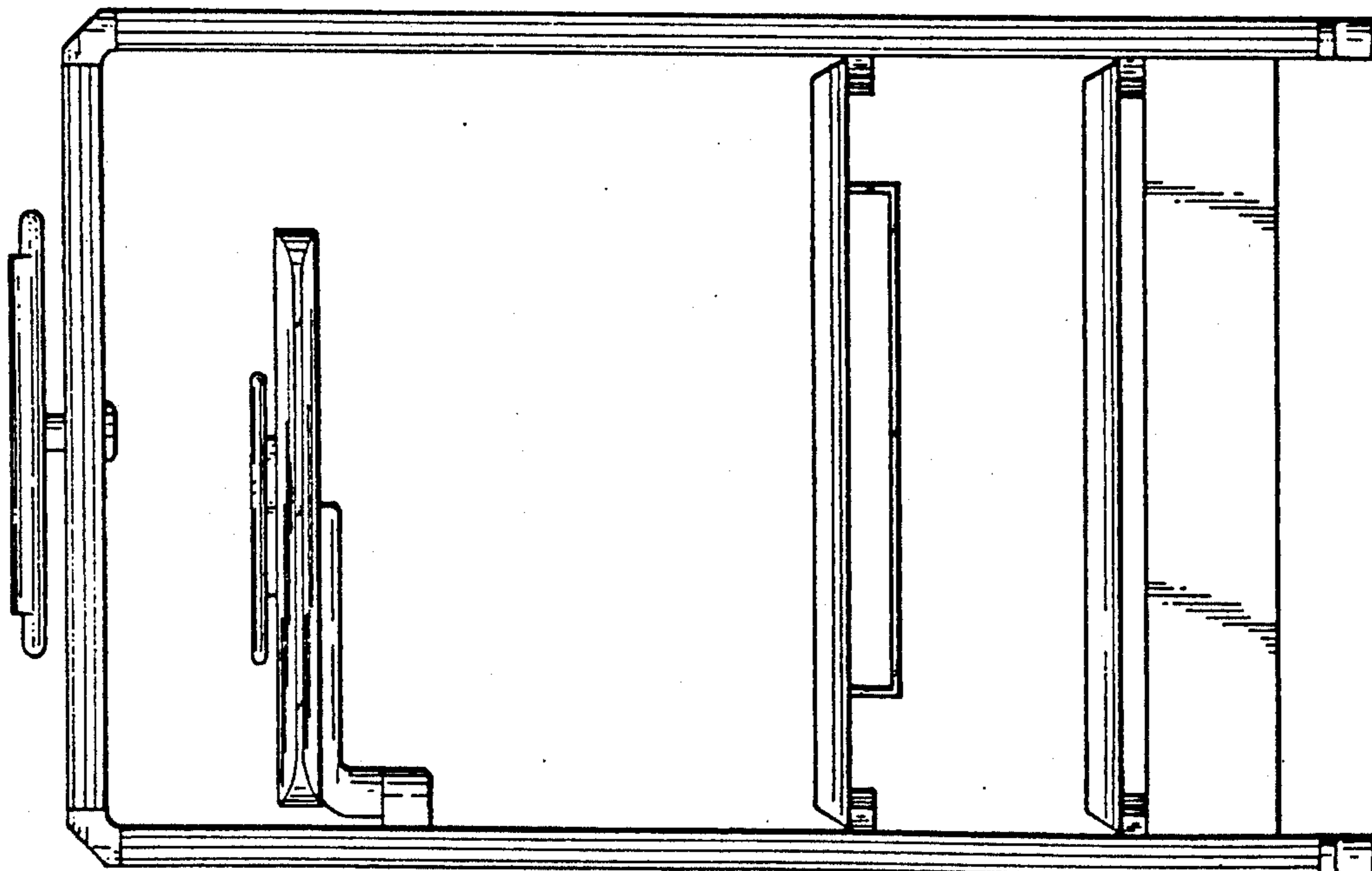


Fig. 2

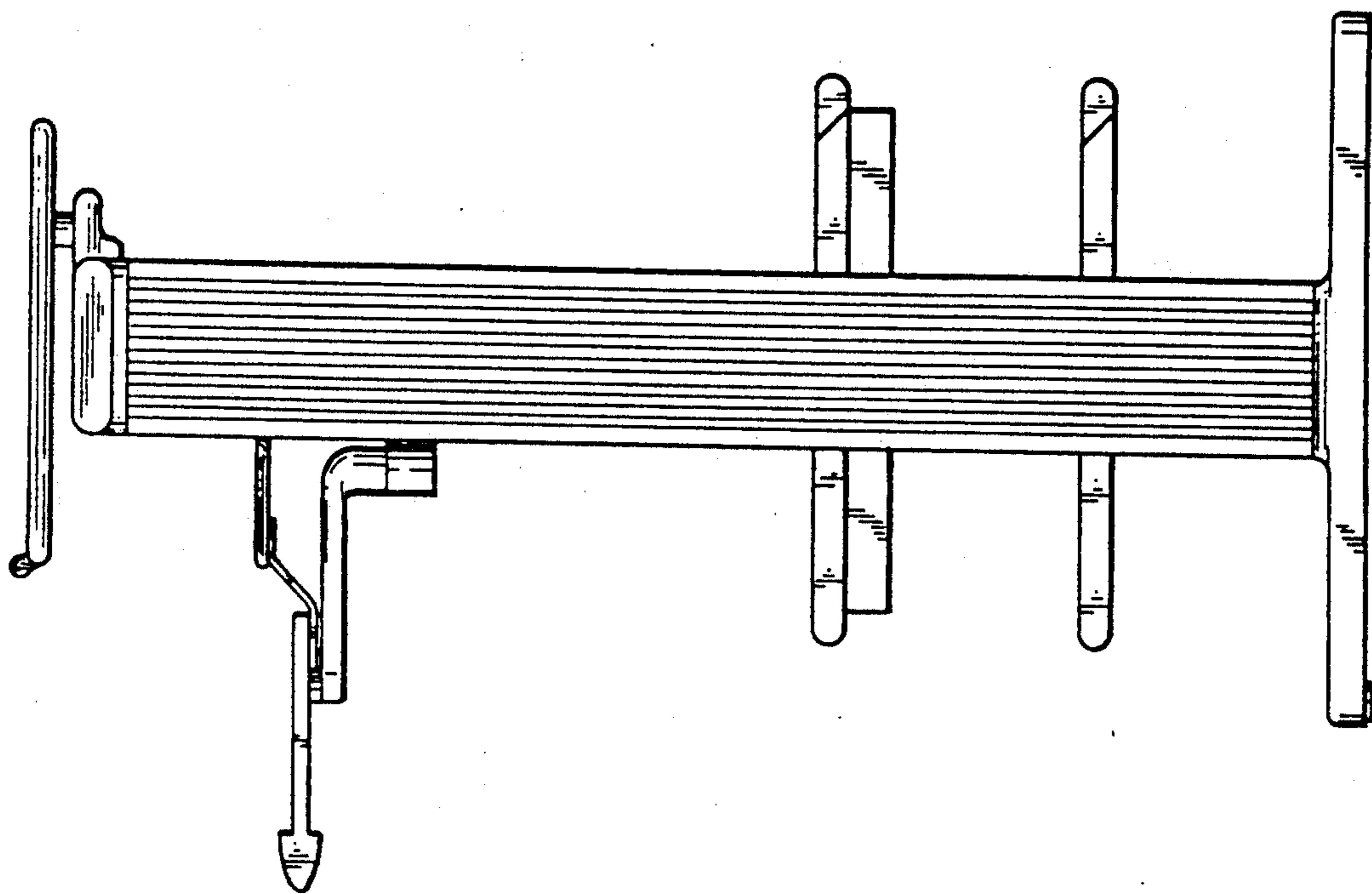


Fig. 5

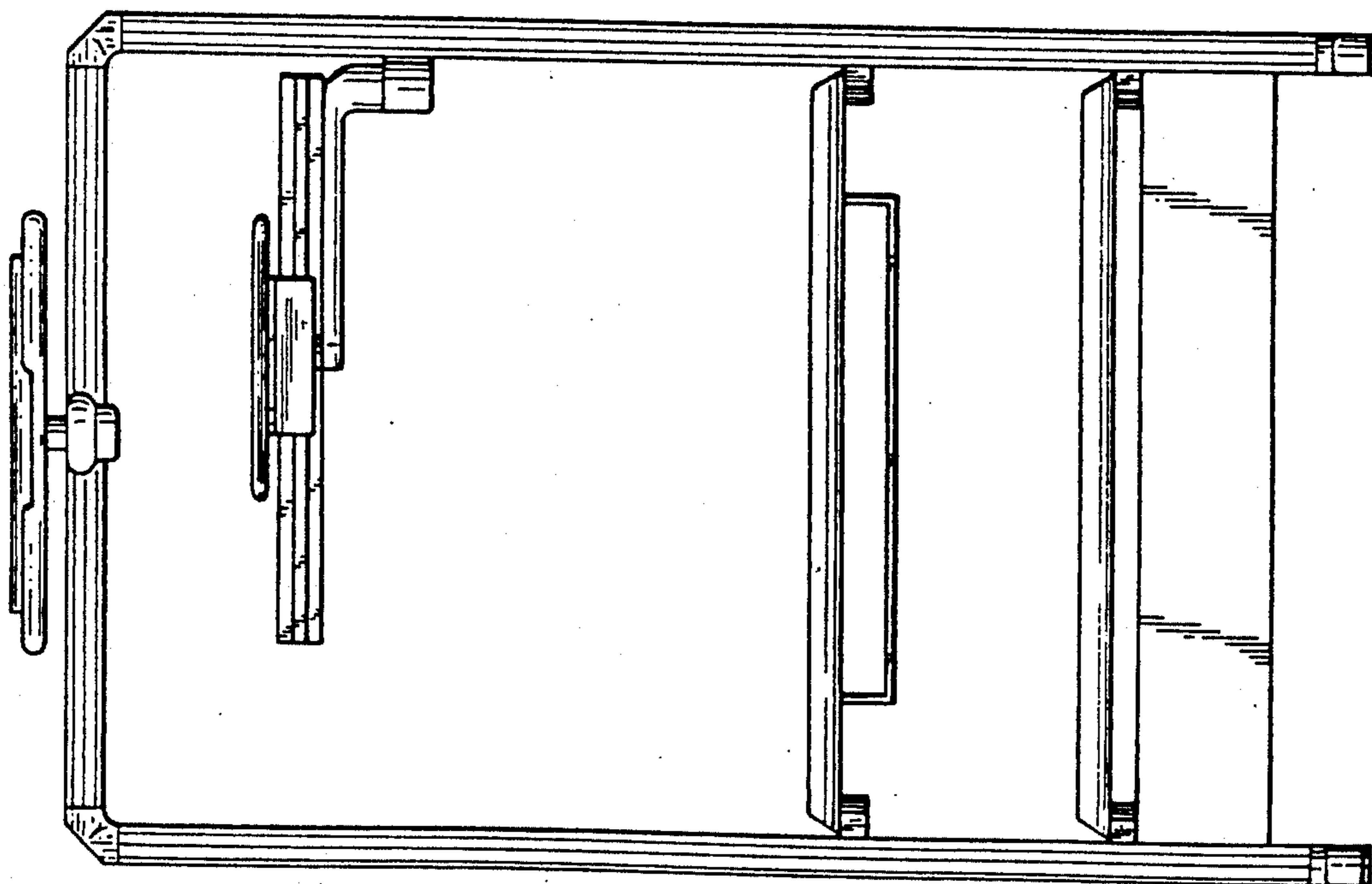


Fig. 4

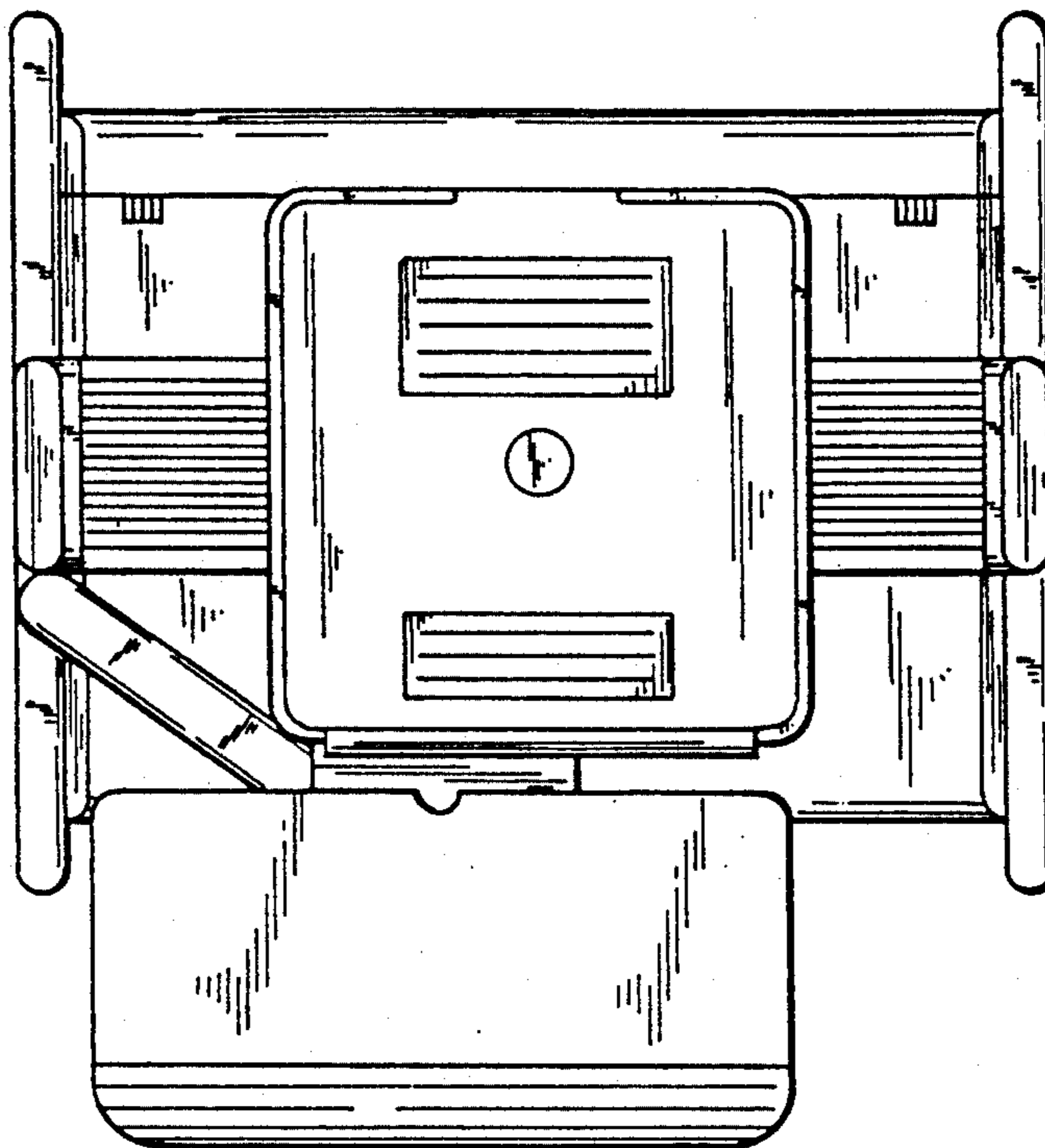


Fig. 6

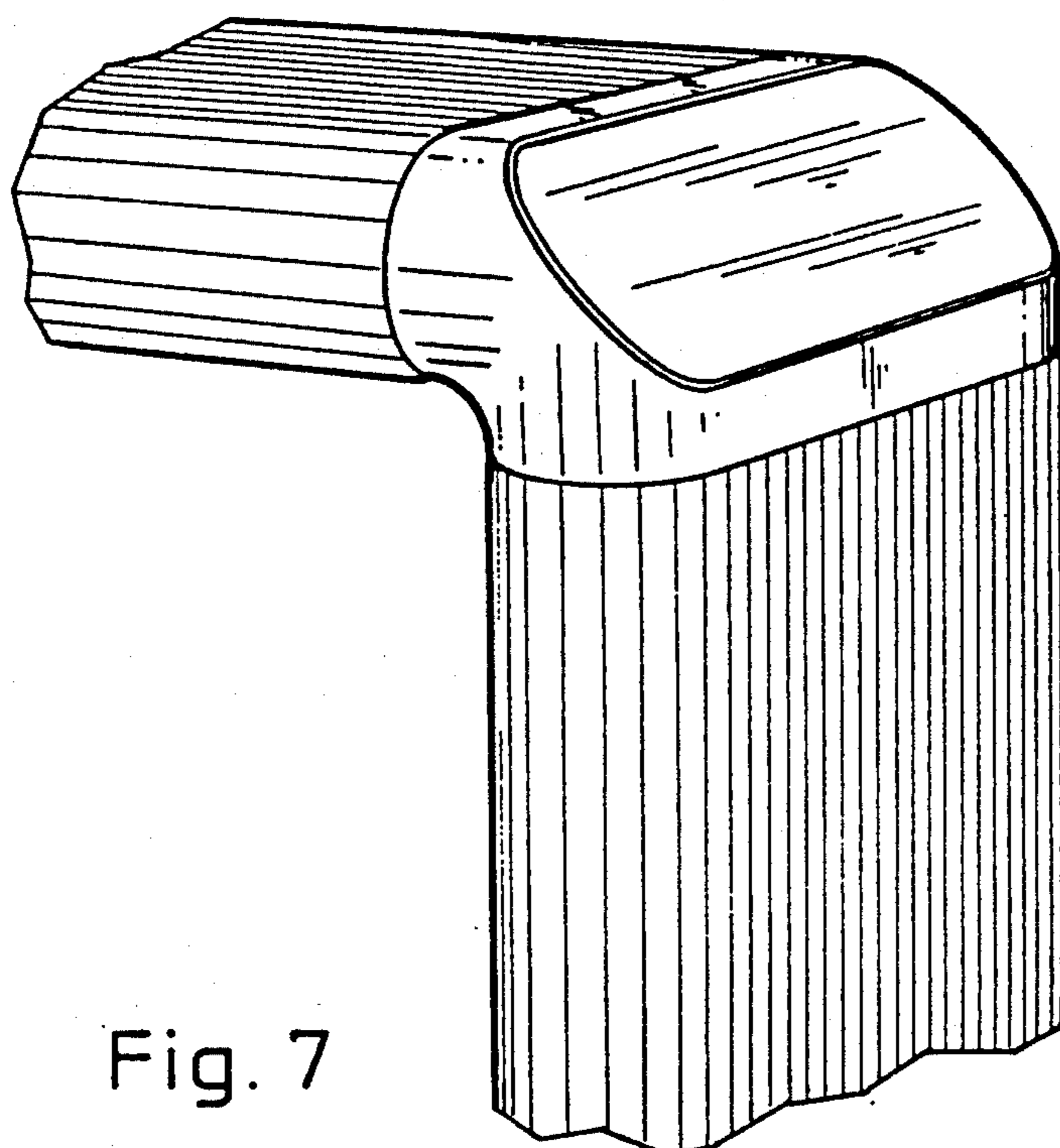


Fig. 7