

[54] FOLDABLE PLAY TRAY

[75] Inventors: Carol E. H. Lilly, 5354 Highland Dr., Bellevue, Wash. 98006; Loyd C. Moore; Mark E. Eike, both of Bellevue, Wash.; Nicholas E. Barker, Seattle, Wash.

[73] Assignee: Carol E. H. Lilly, Bellevue, Wash.

[**] Term: 14 Years

[21] Appl. No.: 185,522

[22] Filed: Apr. 25, 1988

[52] U.S. Cl. D6/406; D6/429

[58] Field of Search D6/406, 419, 429-431; 108/34, 36, 6, 32; 248/346, 441, 456, 460

[56] References Cited

U.S. PATENT DOCUMENTS

- D. 252,977 9/1979 Bayly .
- D. 265,026 6/1982 Macho et al. D6/429 X
- D. 273,252 4/1984 Markson D6/429 X
- 2,956,849 10/1960 Dow .
- 2,986,438 5/1961 Smathers et al. .
- 3,123,935 3/1964 Williams 248/346

- 3,759,192 9/1973 Oehler .
- 3,859,930 1/1975 Sherwin .
- 4,010,696 3/1977 Priesman .
- 4,052,944 10/1977 Jennings .

FOREIGN PATENT DOCUMENTS

- 817148 7/1969 Canada .
- 1049484 11/1966 United Kingdom .

Primary Examiner—Carmen H. Vales-Lado
Attorney, Agent, or Firm—Seed and Berry

[57] CLAIM

The ornamental design for a foldable play tray, as shown and described.

DESCRIPTION

FIG. 1 is a perspective view of a foldable play tray showing our new design;
 FIG. 2 is an enlarged front elevational view thereof;
 FIG. 3 is a left side elevational view, the right side being a mirror image thereof;
 FIG. 4 is a top plan view thereof;
 FIG. 5 is a bottom plan view thereof;
 FIG. 6 is a perspective view in extended position; and
 FIG. 7 is a perspective view with the legs in folded condition and a writing surface attached to the top.

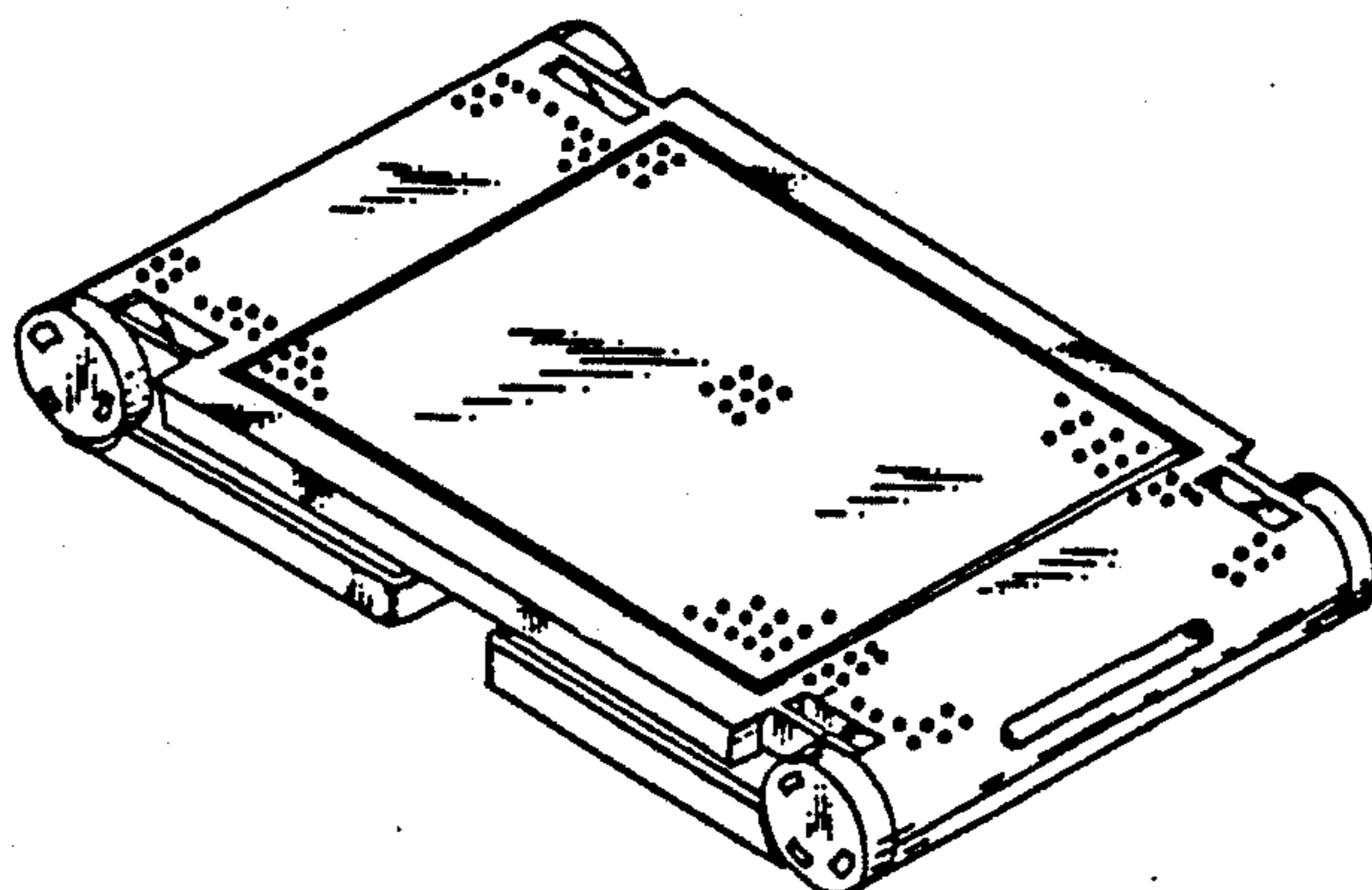
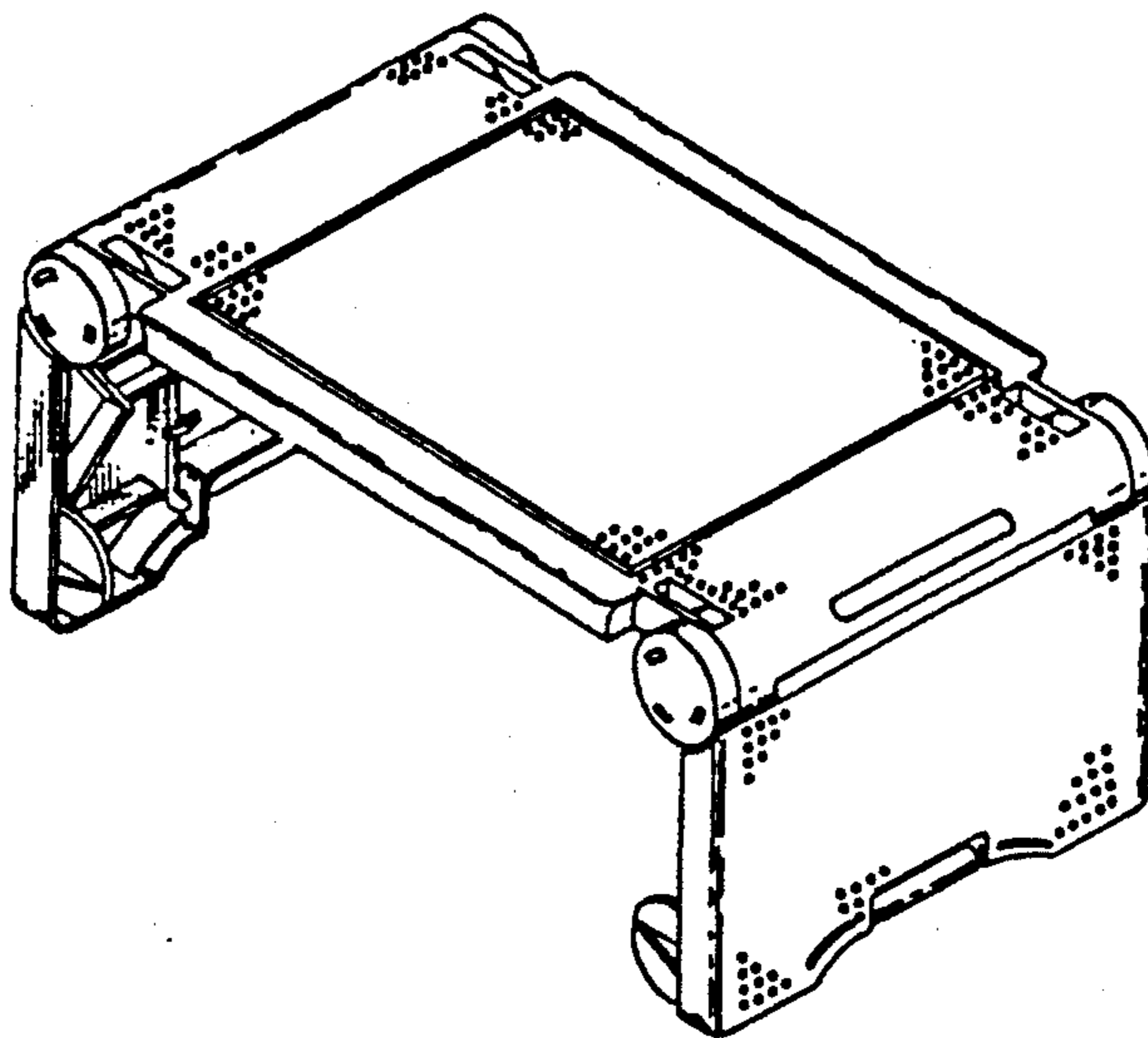


FIG.1

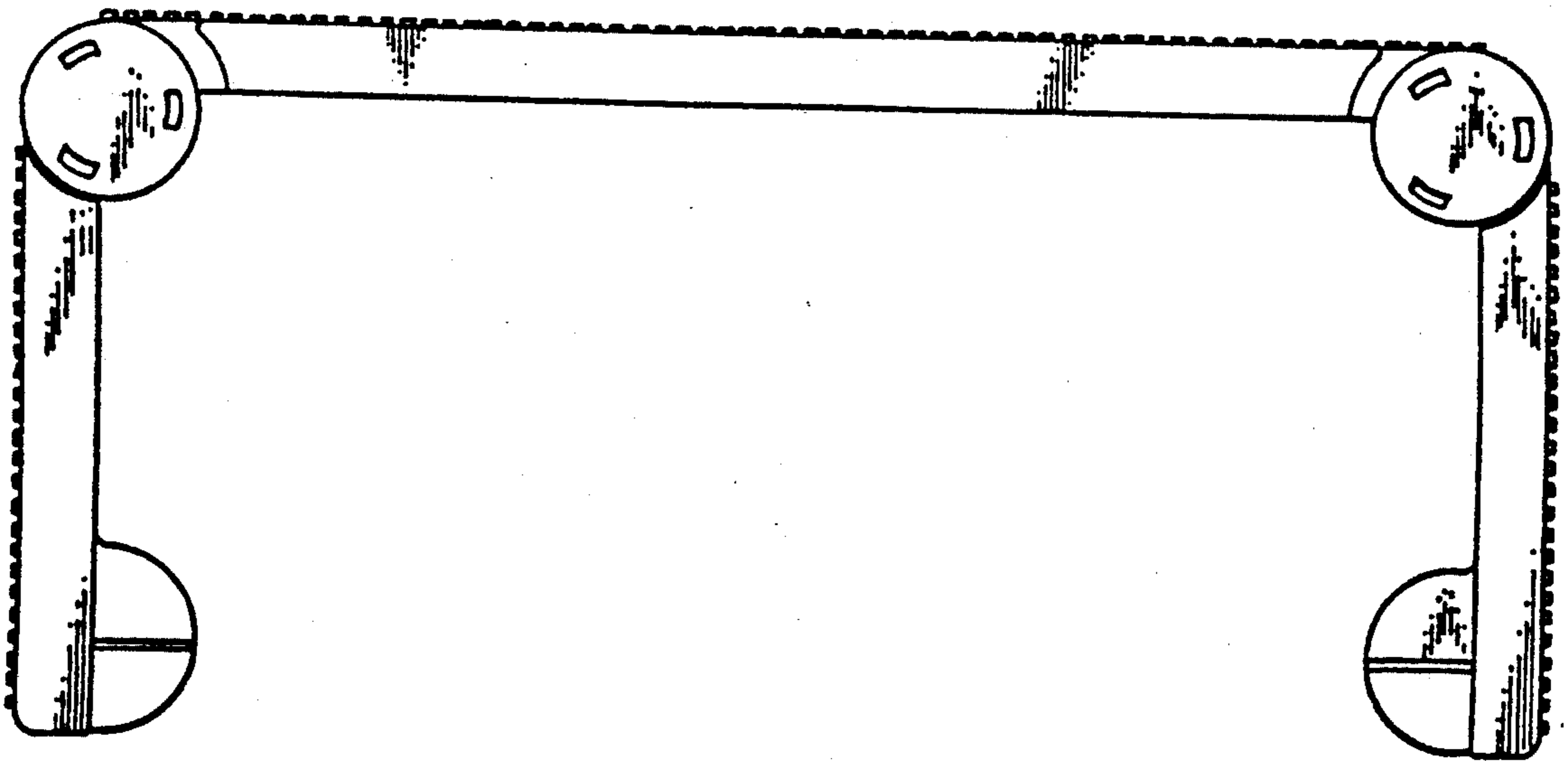
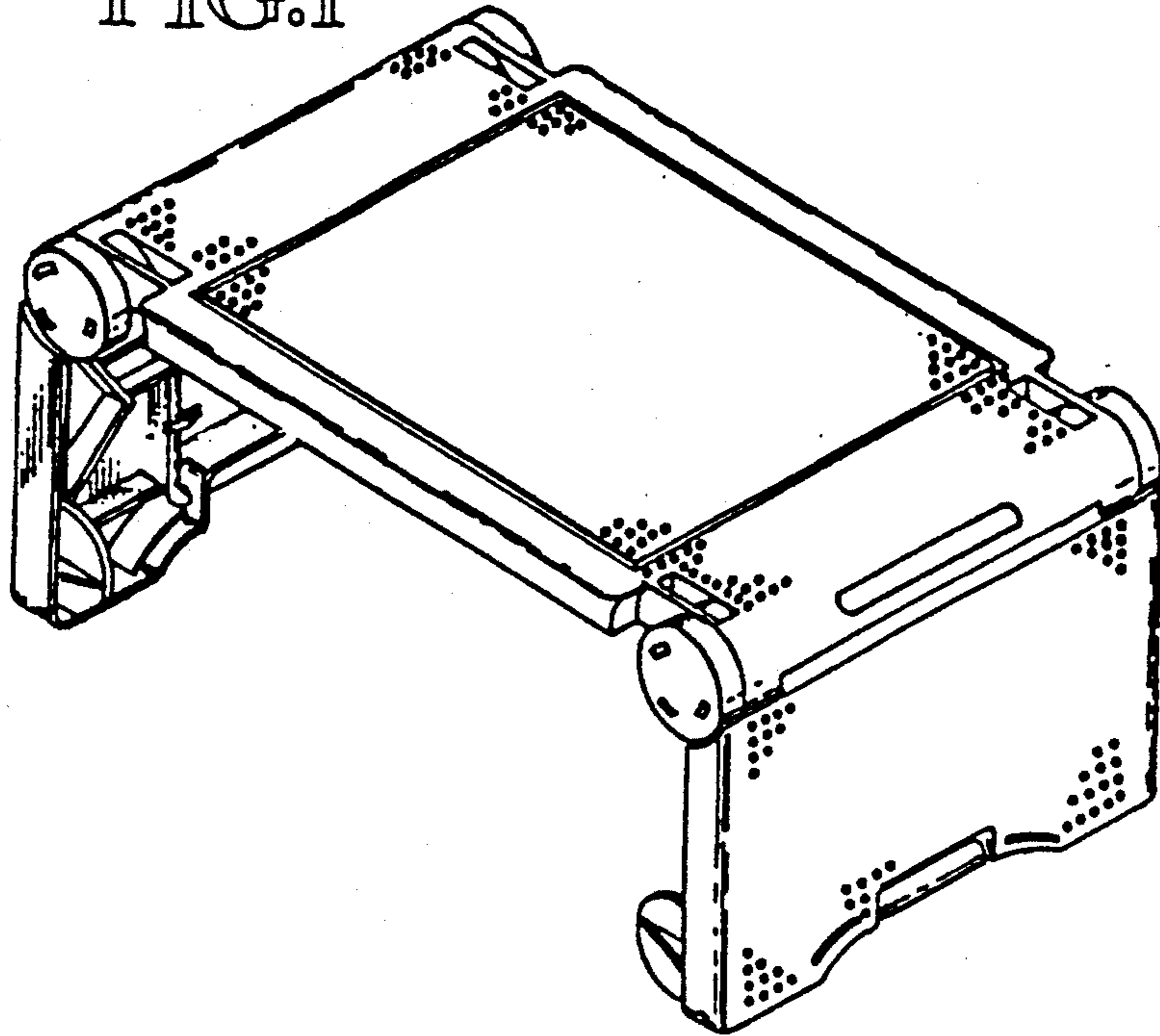


FIG.2

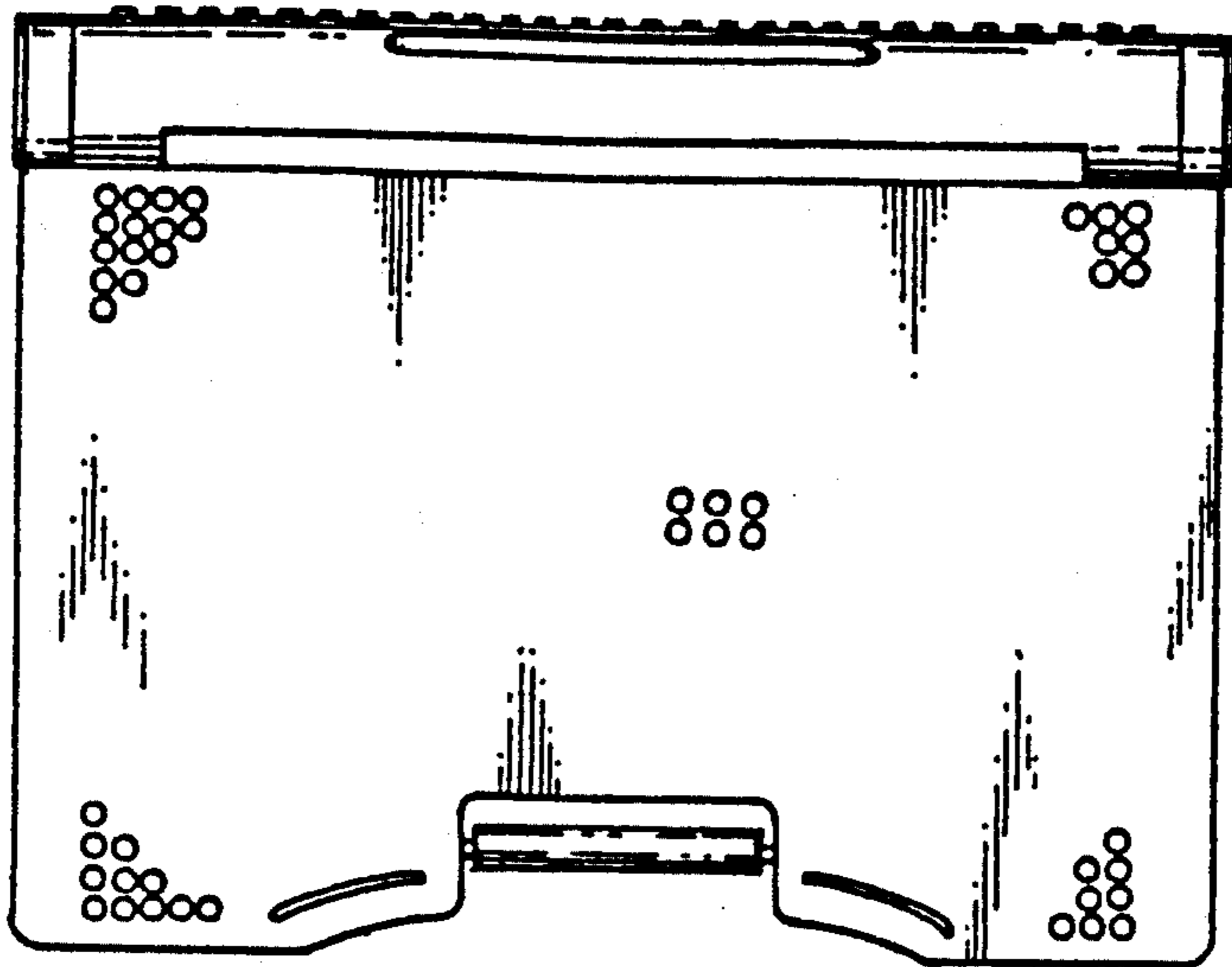


FIG. 3

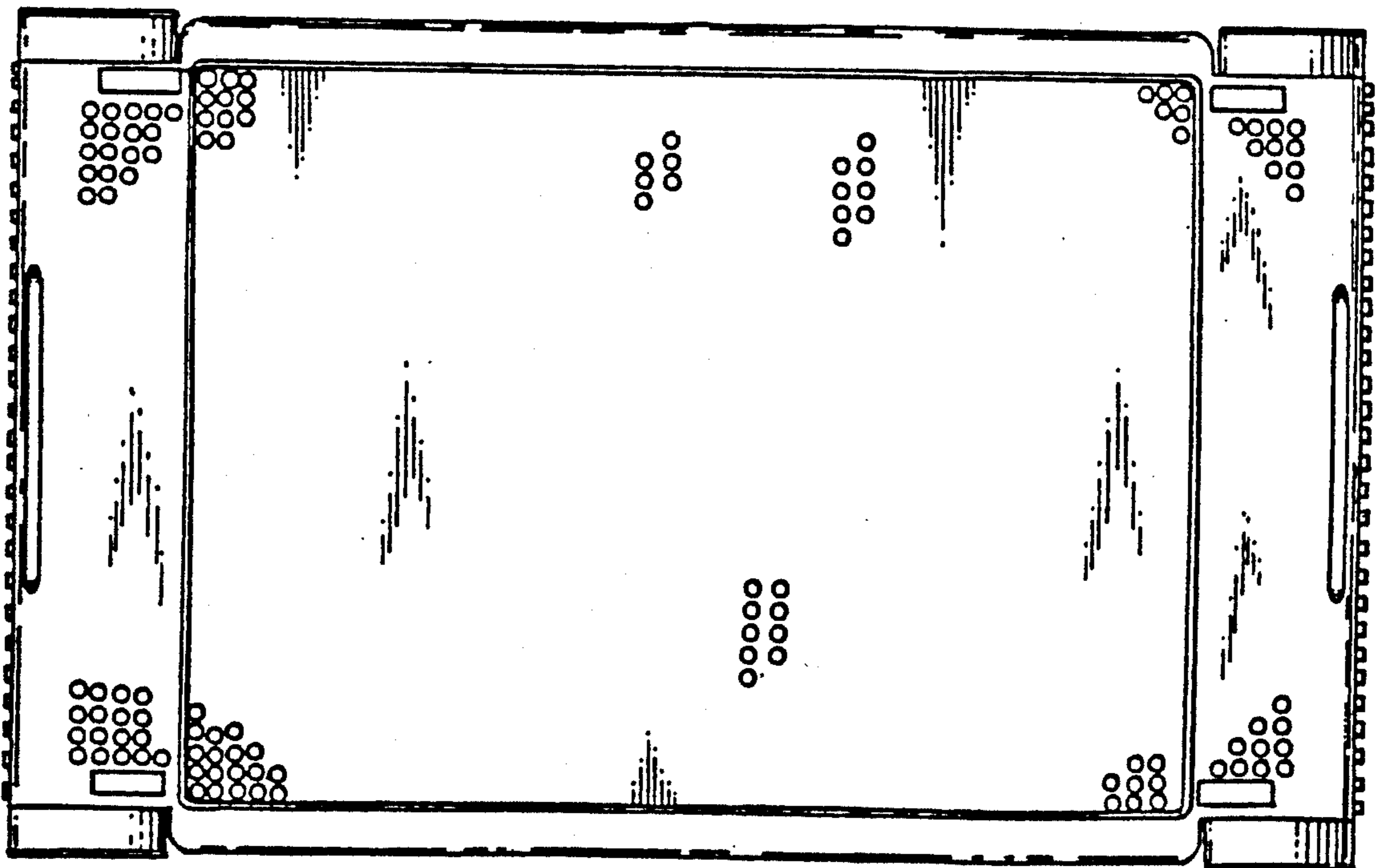


FIG. 4

FIG.5

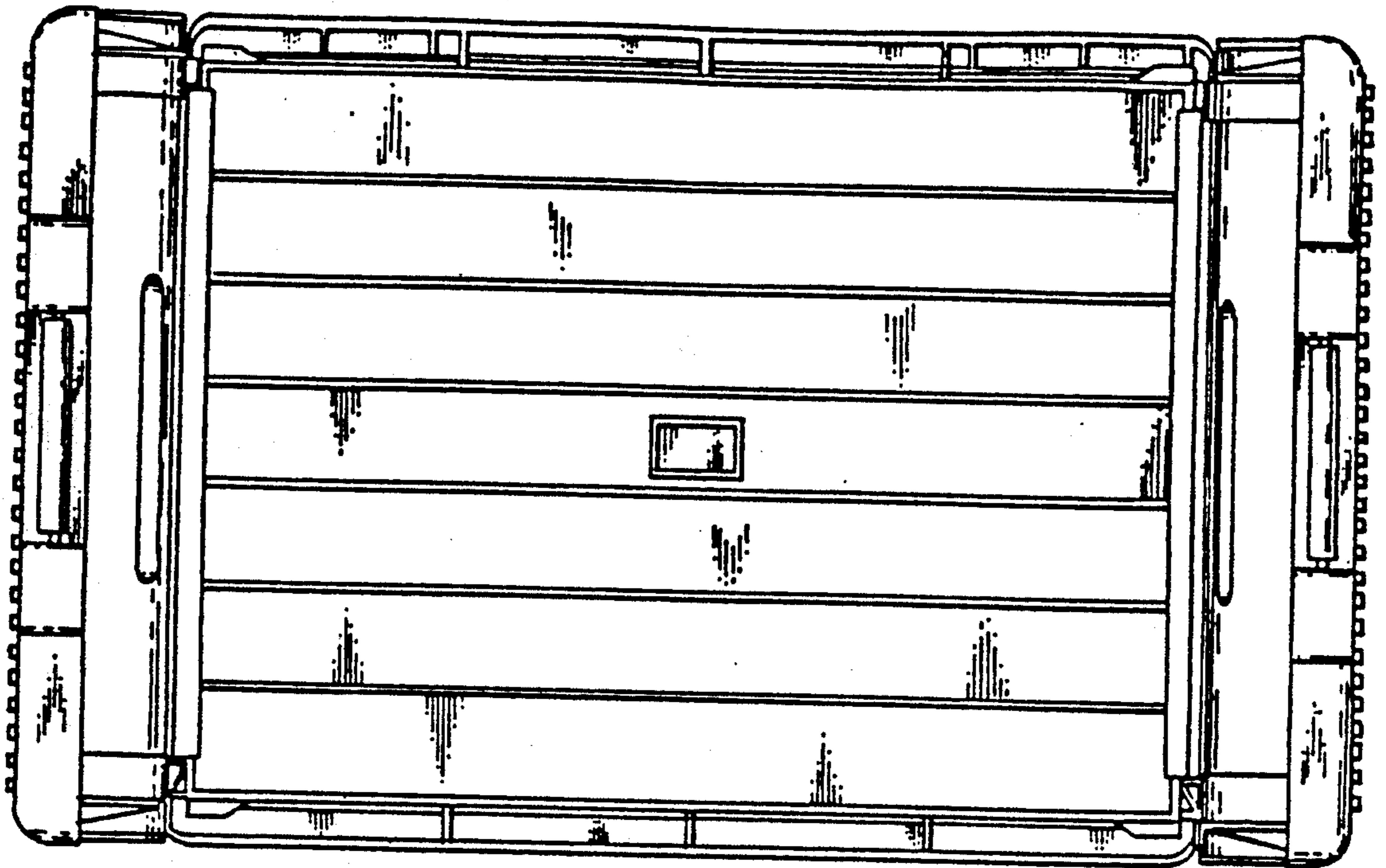


FIG.6

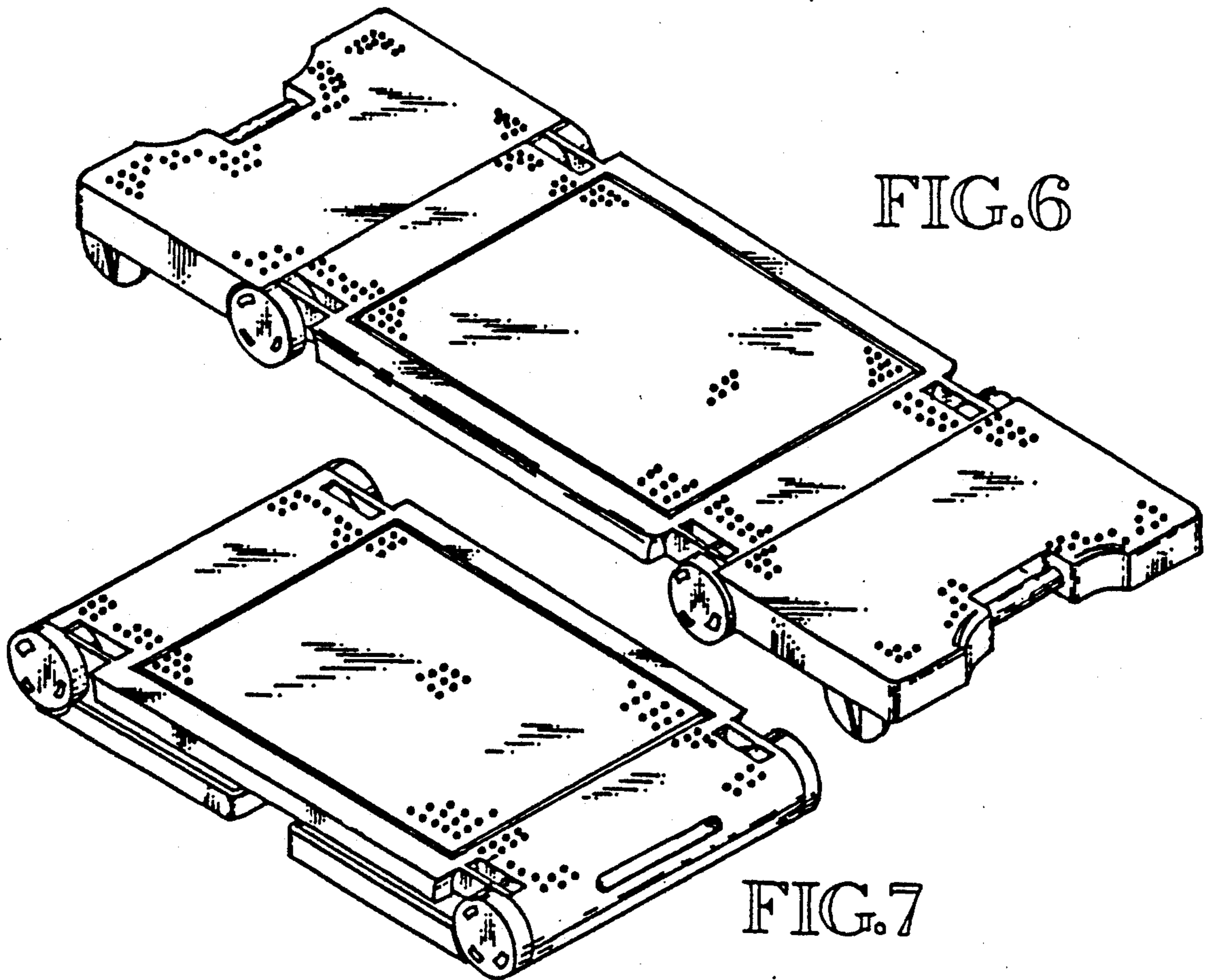


FIG.7