

United States Patent [19]

Ahlström et al.

[11] Patent Number: **Des. 318,958**

[45] Date of Patent: **** Aug. 13, 1991**

[54] **ADJUSTABLE BATHTUB SEAT BOARD FOR THE DISABLED**

[75] Inventors: **Tom Ahlström; Hans Ehrick**, both of Stockholm, Sweden

[73] Assignee: **RFSU:S Forsaljningsorganisation AB**, Stockholm, Sweden

[**] Term: **14 Years**

[21] Appl. No.: **55,875**

[22] Filed: **Jun. 1, 1987**

[30] **Foreign Application Priority Data**

Dec. 4, 1986 [SE] Sweden 86-2891

[52] U.S. Cl. **D6/349**

[58] Field of Search D23/303-310;
D6/349; 4/578, 579, 604, 611, 572, 573

[56] **References Cited**

U.S. PATENT DOCUMENTS

D. 99,970	6/1936	Winch	D23/304
D. 156,324	12/1949	Dastugue	D6/349
D. 192,955	6/1962	Moore	D23/304
D. 267,969	2/1983	Rodger	D6/349
D. 268,280	3/1983	Rodger	D6/349
D. 278,580	4/1985	Pollins	D6/349
799,371	9/1905	Eustis	4/579
2,127,762	8/1938	Bentz	4/579
2,671,908	3/1954	Tronic	4/579
2,813,276	11/1957	Lanza	4/579
2,852,785	9/1958	Mikola	4/579

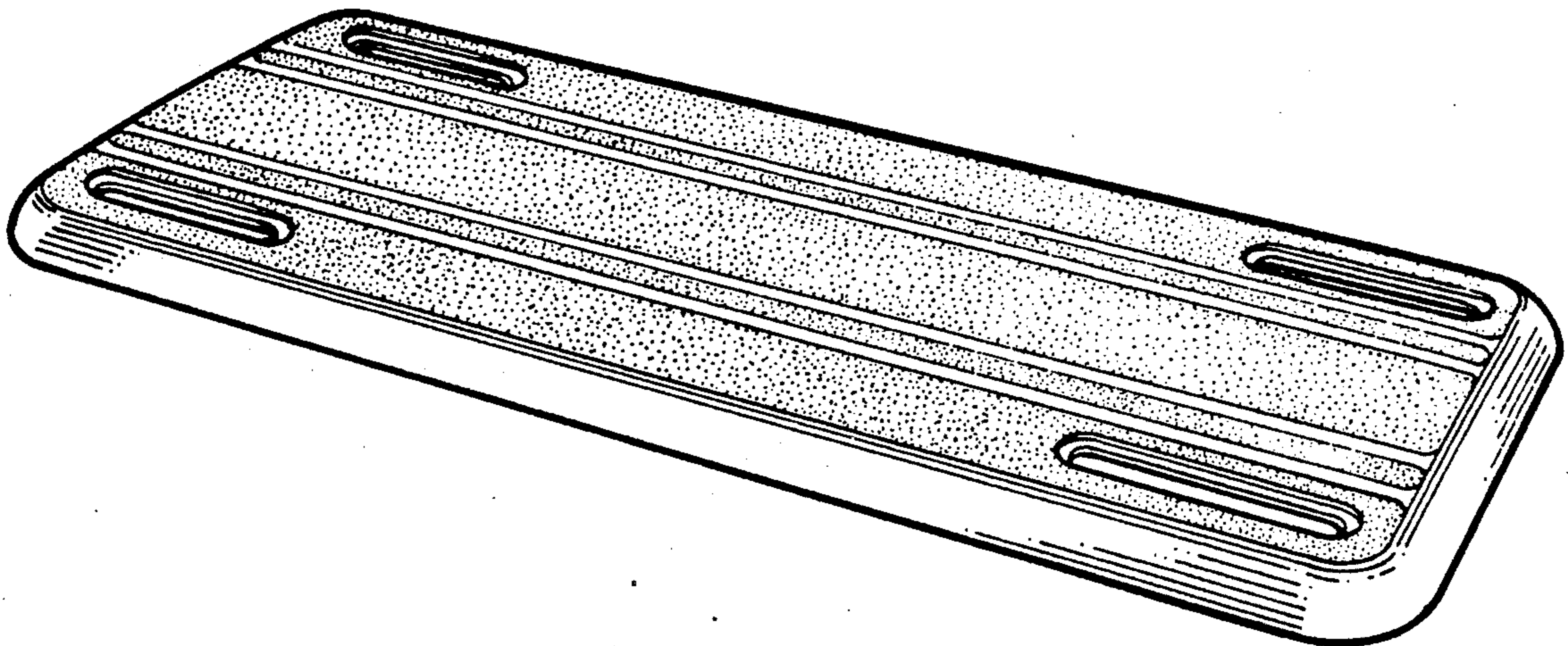
Primary Examiner—James R. Largen
Attorney, Agent, or Firm—Witherspoon & Hargest

[57] **CLAIM**

The ornamental design for an adjustable bathtub seat board for the disabled, as is shown.

DESCRIPTION

FIG. 1 is a top perspective view of an adjustable bathtub seat board for the disabled showing our new design; and
FIG. 2 is a bottom perspective view thereof.



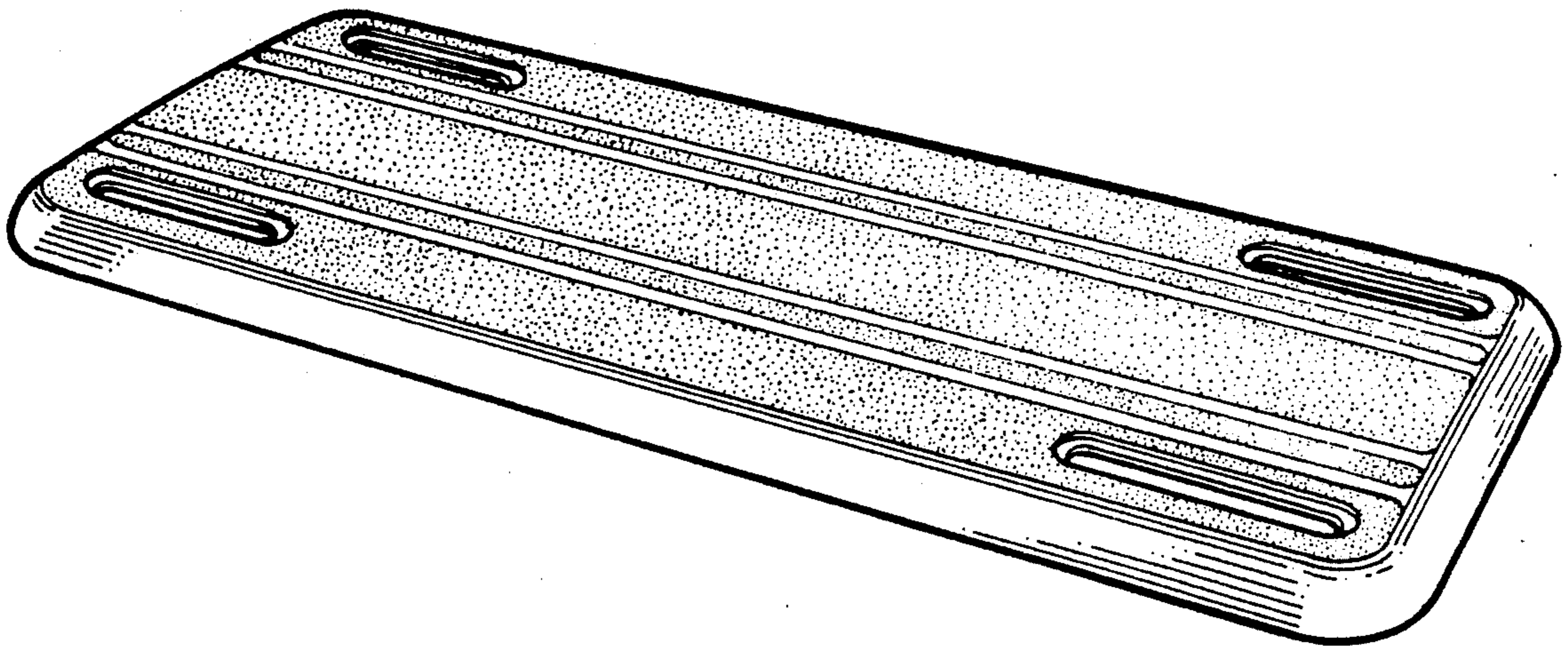


FIG. 1

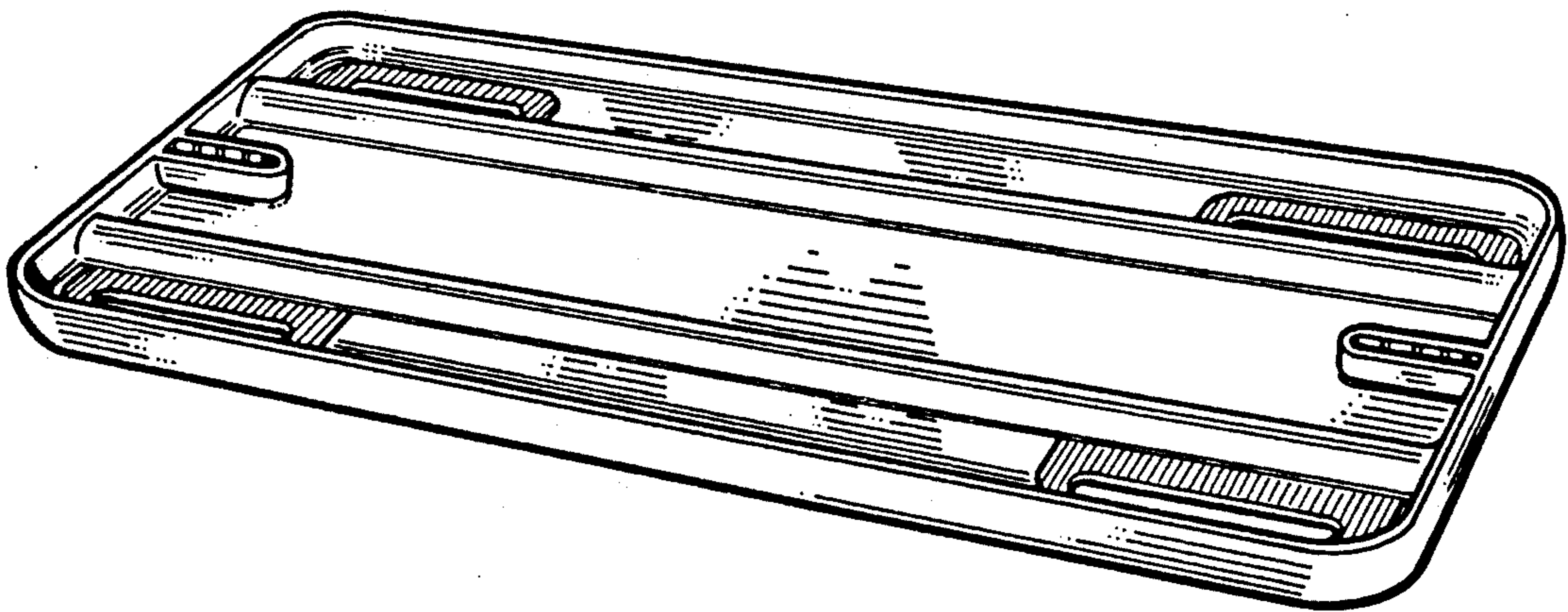


FIG. 2