

[54] CARRIER FOR FLAT PANEL DISPLAYS

4,093,077 6/1978 Strasser 211/13
4,334,620 6/1982 Block 211/13

[75] Inventors: Randall S. Williams; Michael D. Peterson, both of Chaska; Robert J. Nentl, Lakeville, all of Minn.

Primary Examiner—A. Hugo Word
Assistant Examiner—Celia A. Murphy
Attorney, Agent, or Firm—Palmatier & Sjoquist

[73] Assignee: Fluoroware, Inc., Chaska, Minn.

[57] CLAIM

[**] Term: 14 Years

The ornamental design for a carrier for flat panel displays, as shown and described.

[21] Appl. No.: 344,984

DESCRIPTION

[22] Filed: Apr. 28, 1989

[52] U.S. Cl. D3/30.1; D3/99; D34/21

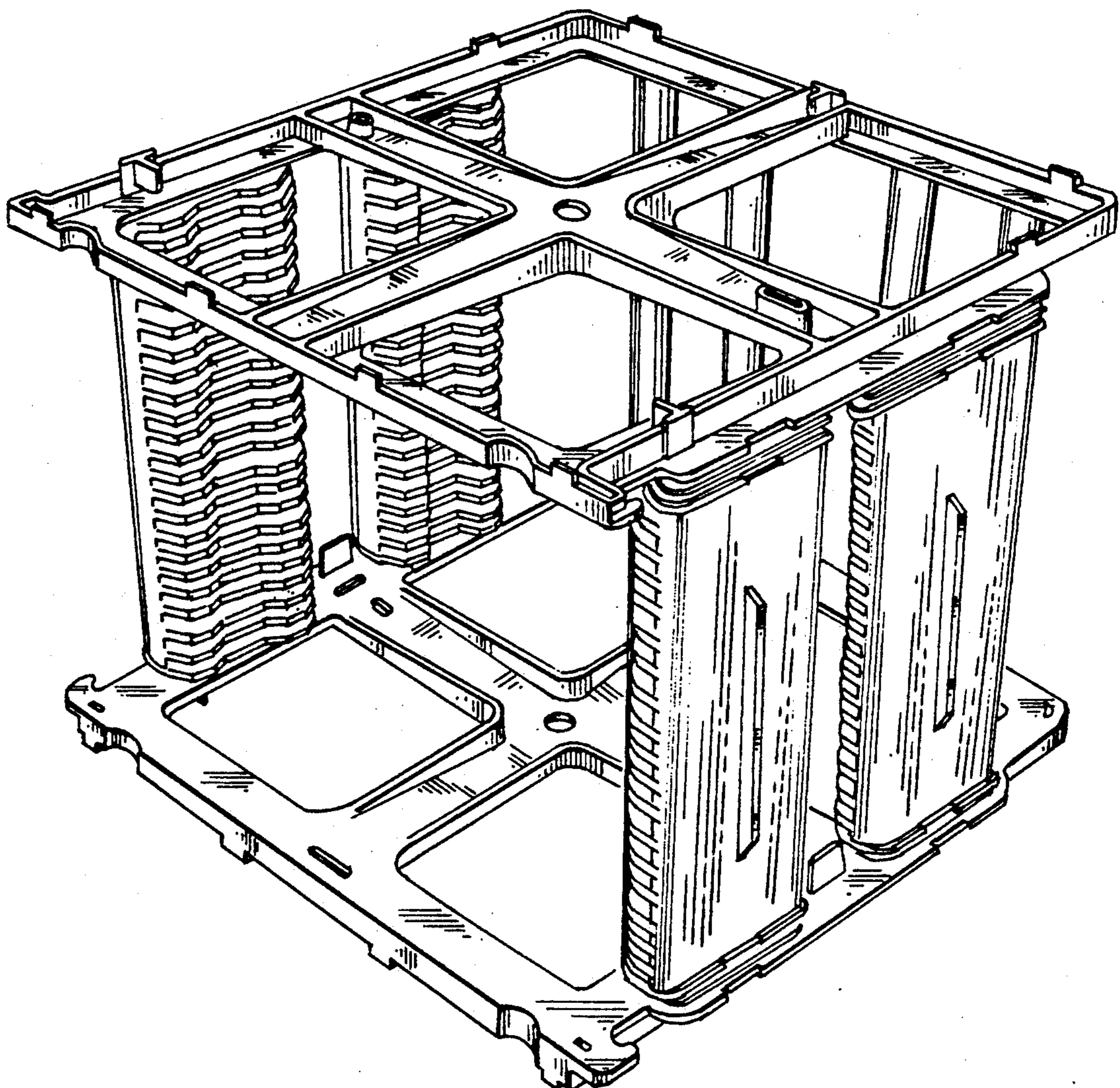
[58] Field of Search D3/30.1, 99; D6/407, D6/457, 467, 449, 396; D34/21; 211/13

FIG. 1 is a perspective view for a carrier for flat panel displays showing our new design; FIG. 2 is a rear elevational view thereof; FIG. 3 is a sectional view taken on line 3—3 of FIG. 2; FIG. 4 is a top plan view of FIG. 1, the bottom being a mirror image; FIG. 5 is a sectional view taken on line 5—5 of FIG. 6; FIG. 6 is a right side elevational view of FIG. 1; and FIG. 7 is a fragmentary view taken on line 7—7 of FIG. 6.

[56] References Cited

U.S. PATENT DOCUMENTS

D. 10,046 6/1877 Schuckers D34/21
2,982,422 5/1961 Asproyerakas D34/21



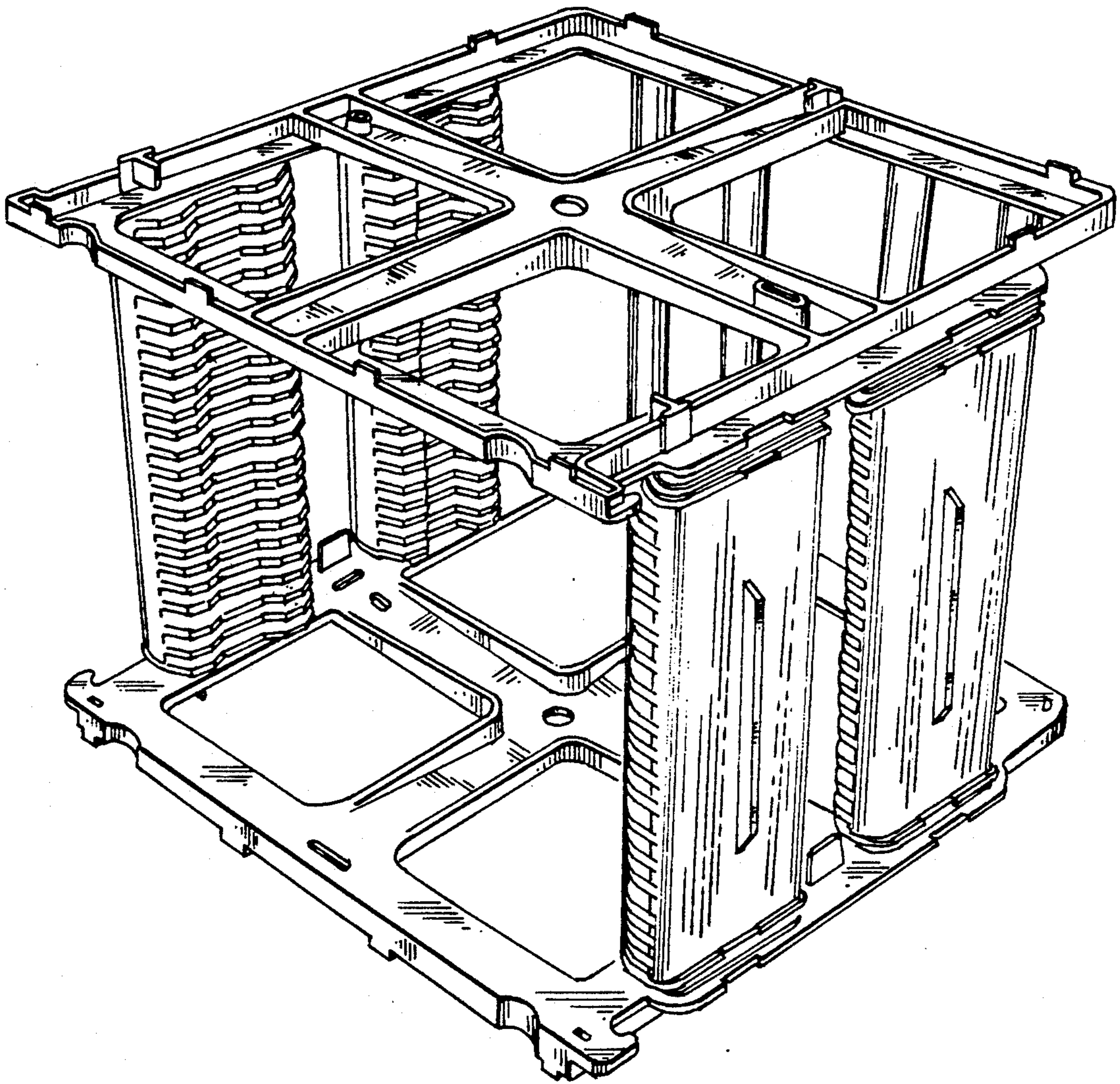


Fig. 1.

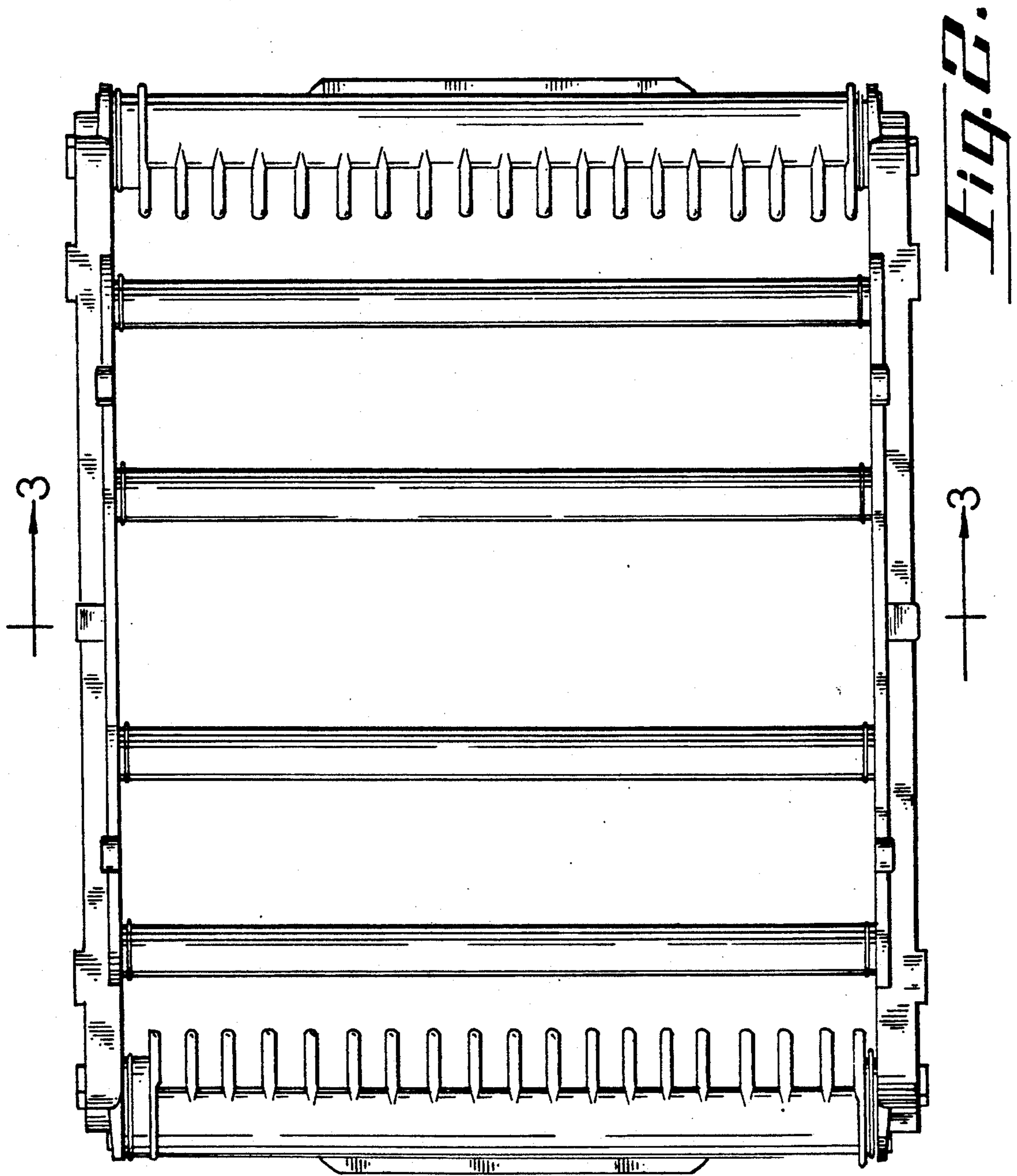


Fig. 2.

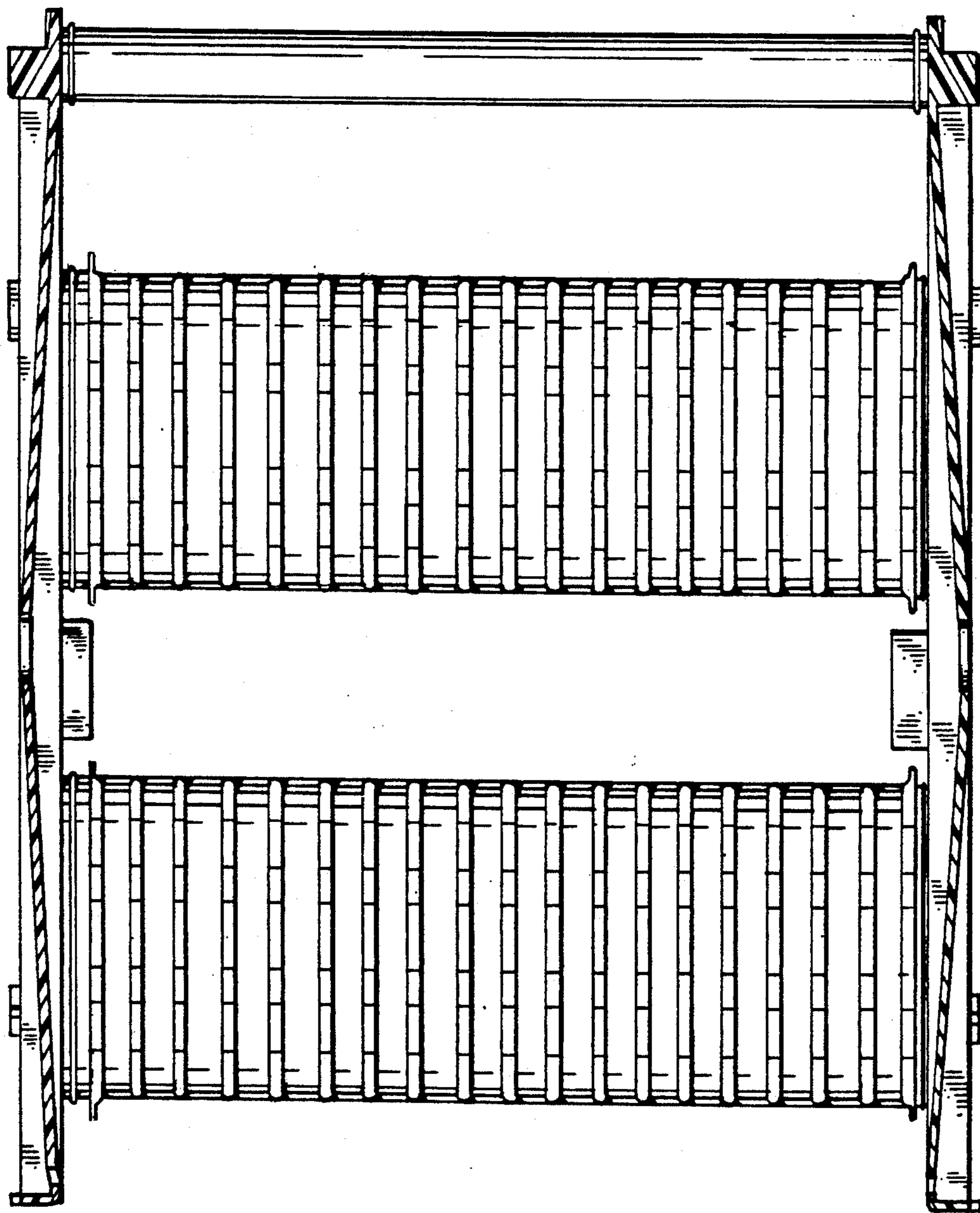


Fig. 3

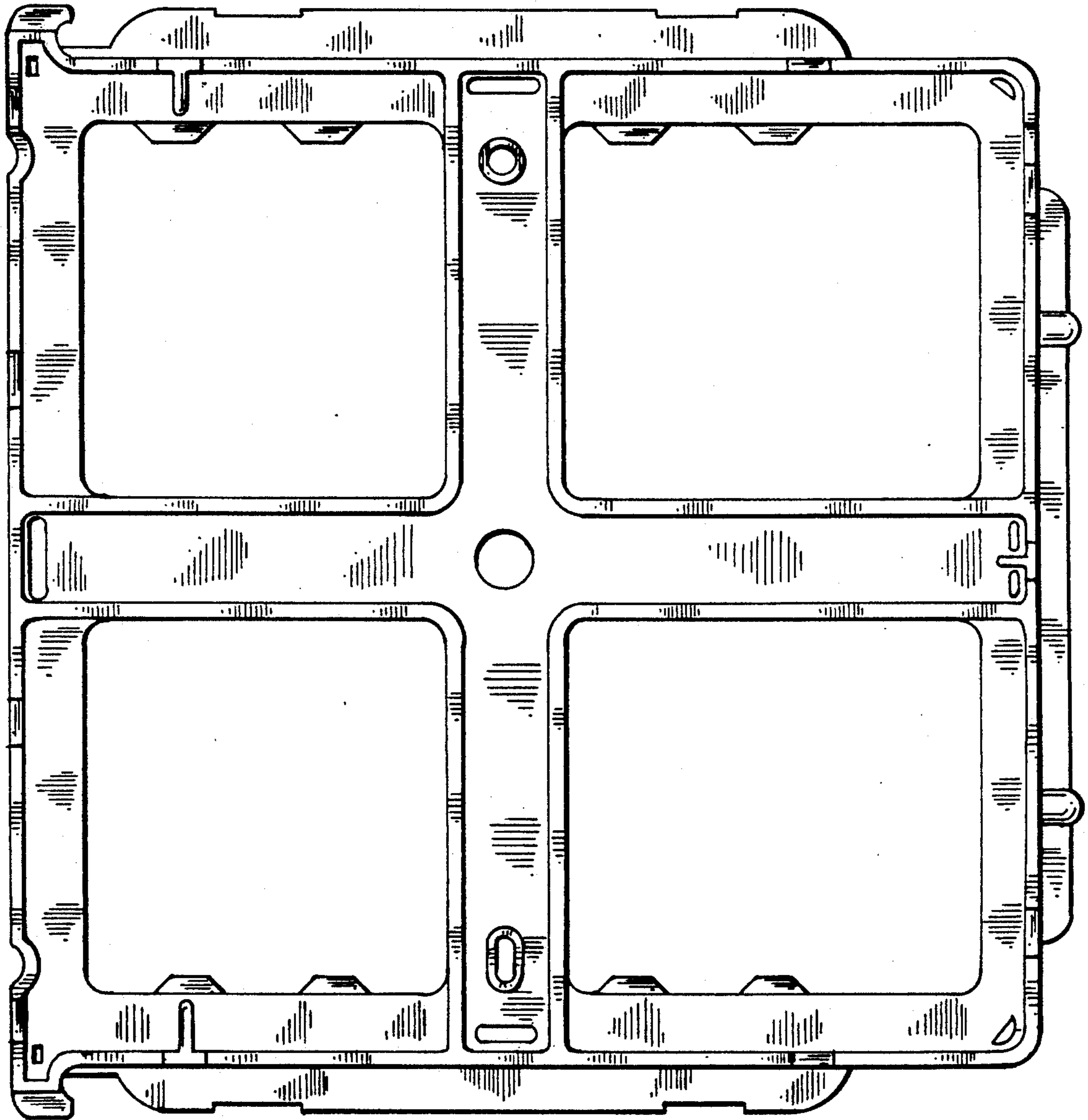


Fig. 4.

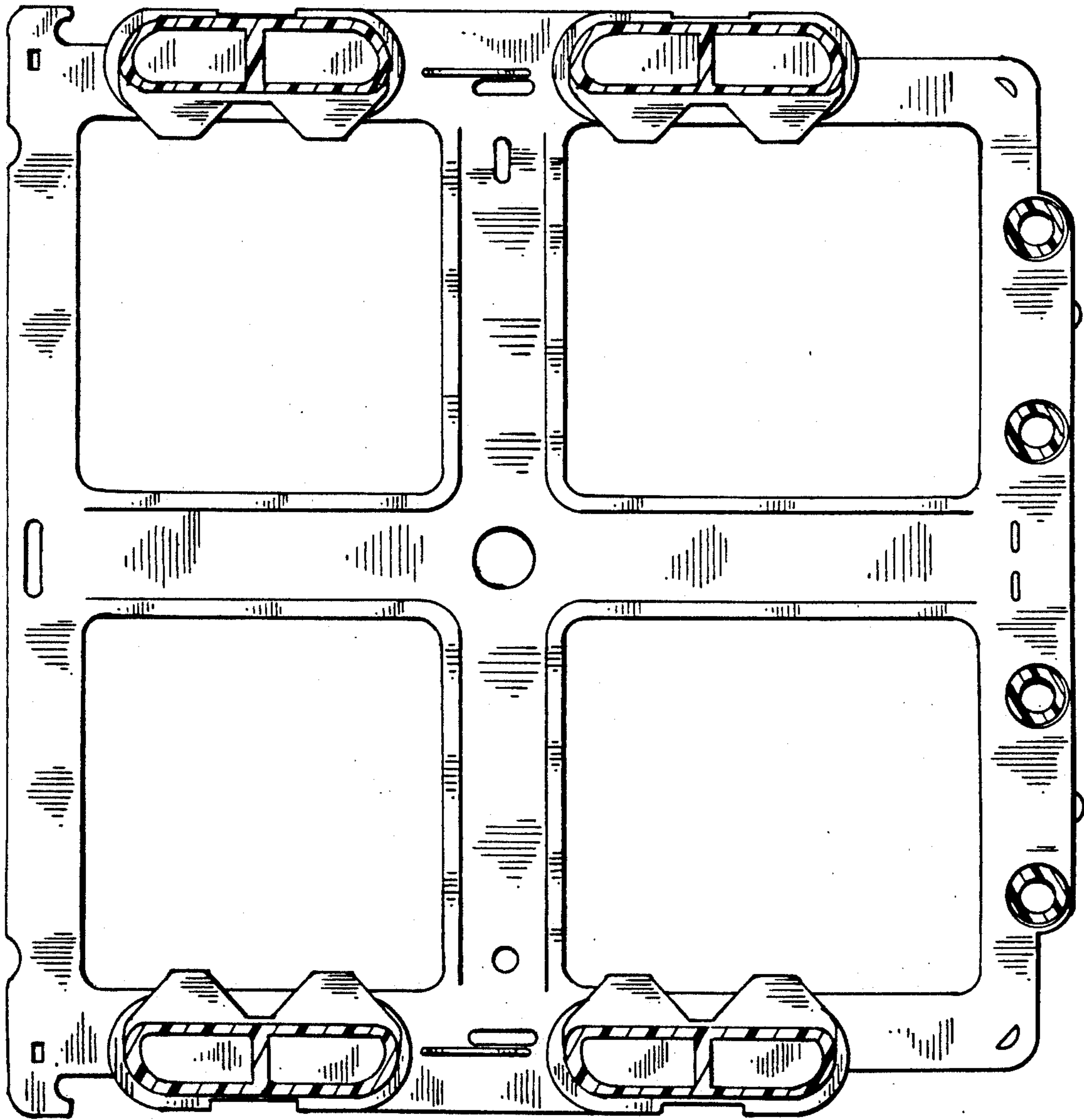


Fig. 5.

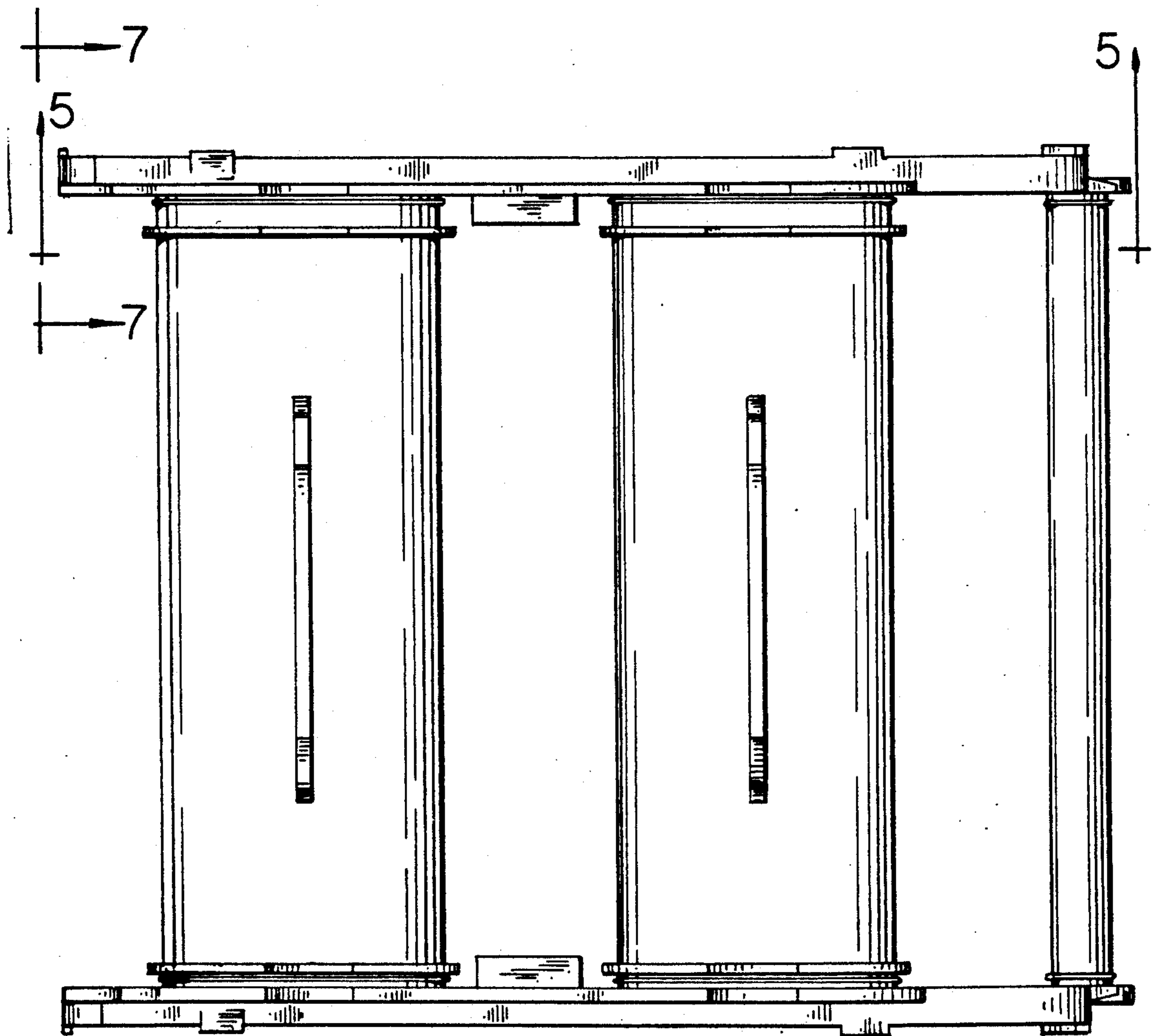


Fig. 6.

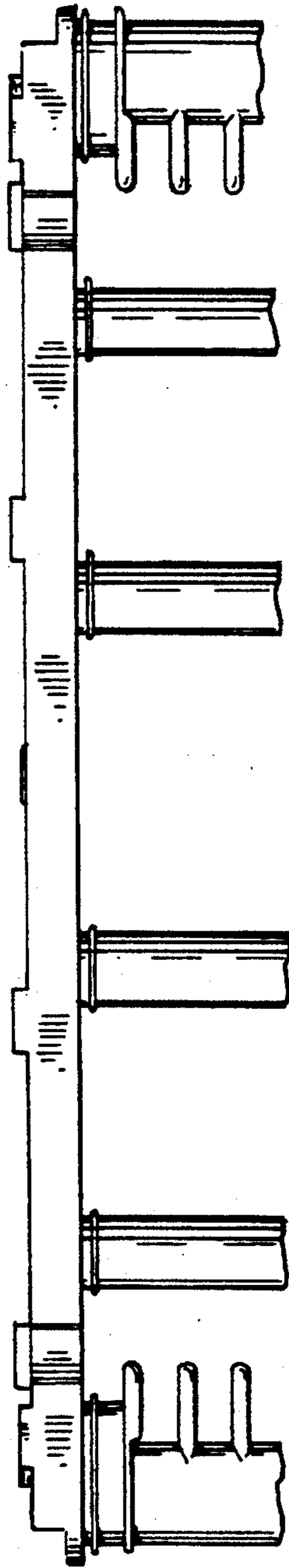


Fig. 7.