

[54] TREAD SURFACE AND PERIPHERY OF A FOOTWEAR UNIT SOLE

[75] Inventor: Moreno Granatelli, Macerata, Italy

[73] Assignee: Vibram S.p.A., Italy

[**] Term: 14 Years

[21] Appl. No.: 299,811

[22] Filed: Jan. 23, 1989

[52] U.S. Cl. D2/320

[58] Field of Search D2/264, 265, 274, 308-314, D2/317-321; 36/25 R, 28, 29, 30 R, 32 R, 59 R, 59 C, 112-116, 102-106, 132, 136

[56] References Cited

U.S. PATENT DOCUMENTS

- D. 61,473 9/1922 Mason D2/320
- D. 73,143 7/1927 Oakley D2/320

- D. 238,832 2/1976 Famolare, Jr. D2/320
- D. 262,372 10/1982 Stubblefield D2/320

Primary Examiner—Louis S. Zarfes
Attorney, Agent, or Firm—Samuels, Gauthier & Stevens

[57] CLAIM

The ornamental design for a tread surface and periphery of a footwear unit sole, as shown and described.

DESCRIPTION

FIG. 1 is a bottom plan view of a tread surface and periphery of a footwear unit sole showing my new design;

FIG. 2 is a right side elevational view;

FIG. 3 is a left side elevational view;

FIG. 4 is a front edge elevational view;

FIG. 5 is a rear edge elevational view; and

FIG. 6 is a fragmentary cross-sectional view taken along line 6—6 in FIG. 1;

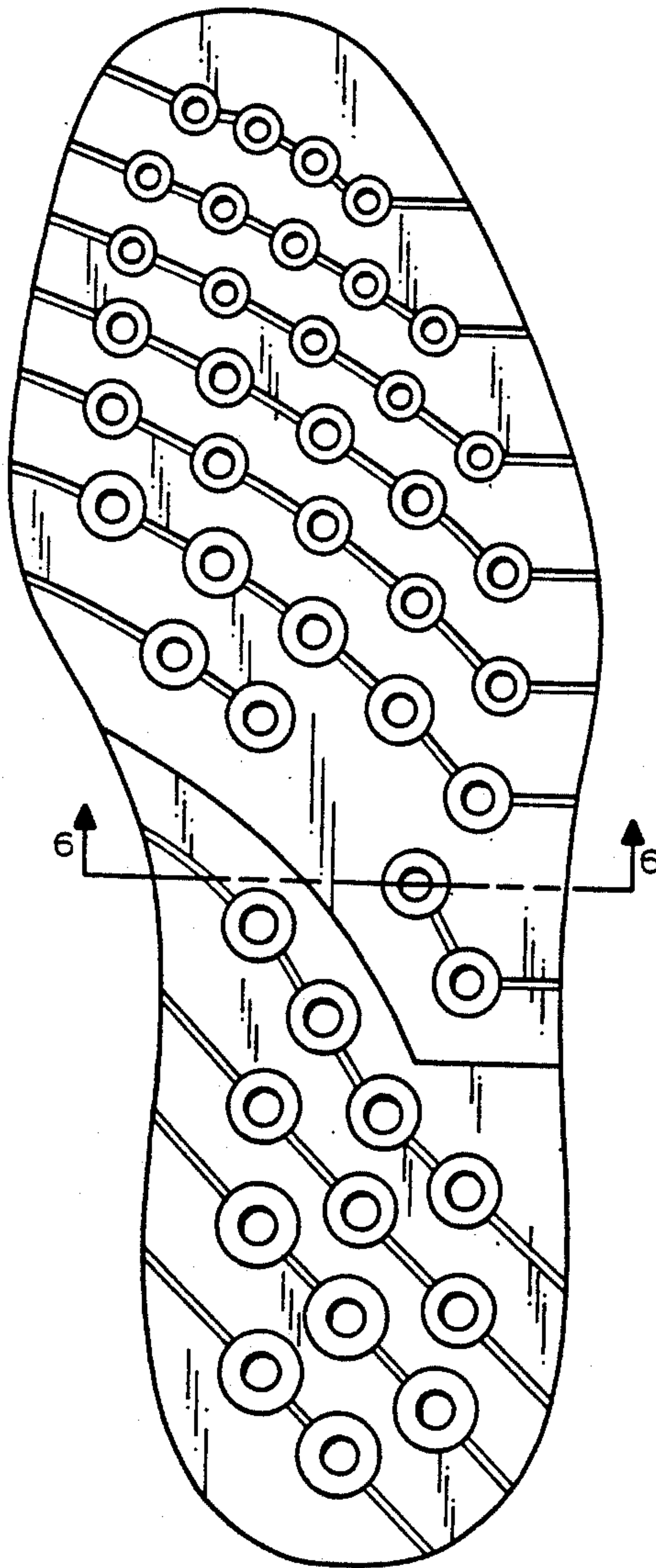




FIG. 4

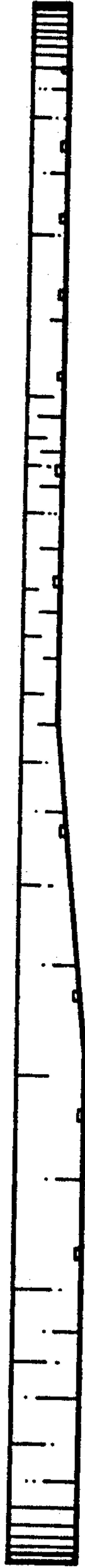


FIG. 2

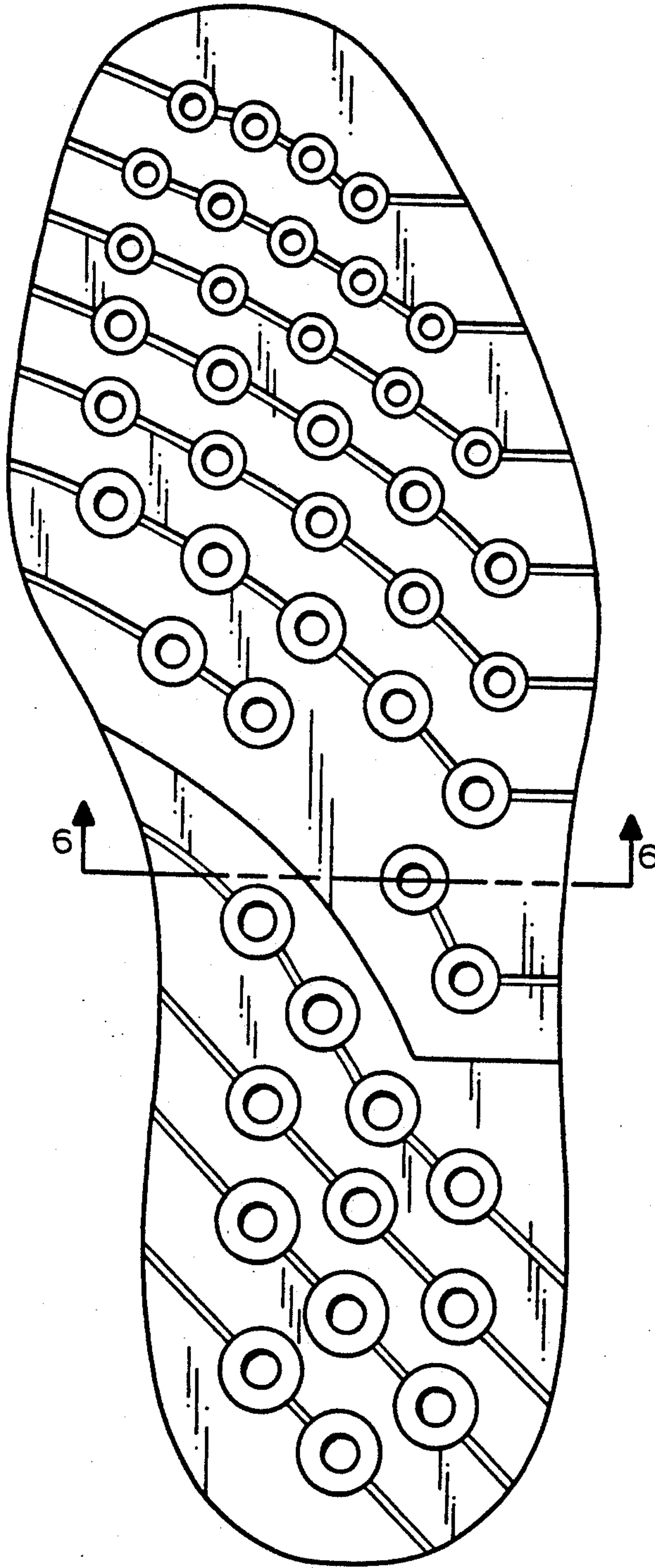


FIG. 1

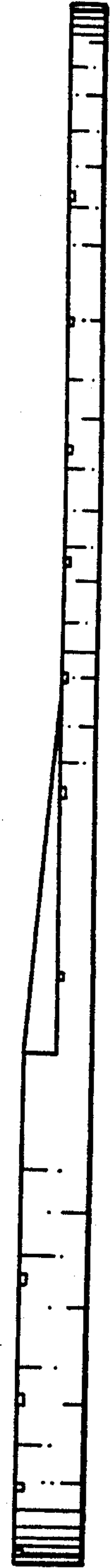


FIG. 3



FIG. 5



FIG. 6