

[54] REEL FOR HOISTING HUNTING EQUIPMENT UP A TREE

[76] Inventor: John I. Avery III, R.F.D. #1, Box 51, Newport, N.H. 03773

[**] Term: 14 Years

[21] Appl. No.: 239,836

[22] Filed: Sep. 2, 1988

[52] U.S. Cl. D34/33; D8/359

[58] Field of Search D34/33, 28; D8/358, D8/359; D10/71, 72; 294/74; 403/209

[56] References Cited

U.S. PATENT DOCUMENTS

D. 204,804	5/1966	Gershen	D10/72
D. 238,861	2/1976	Cavalieri	D34/28
D. 257,423	10/1980	Tiedemann	D8/358 X
2,649,787	8/1953	Kobayashi	D10/72

OTHER PUBLICATIONS

Hardware Age, Sep. 3, 1964, p. 320, tape measure, located on left hand side.

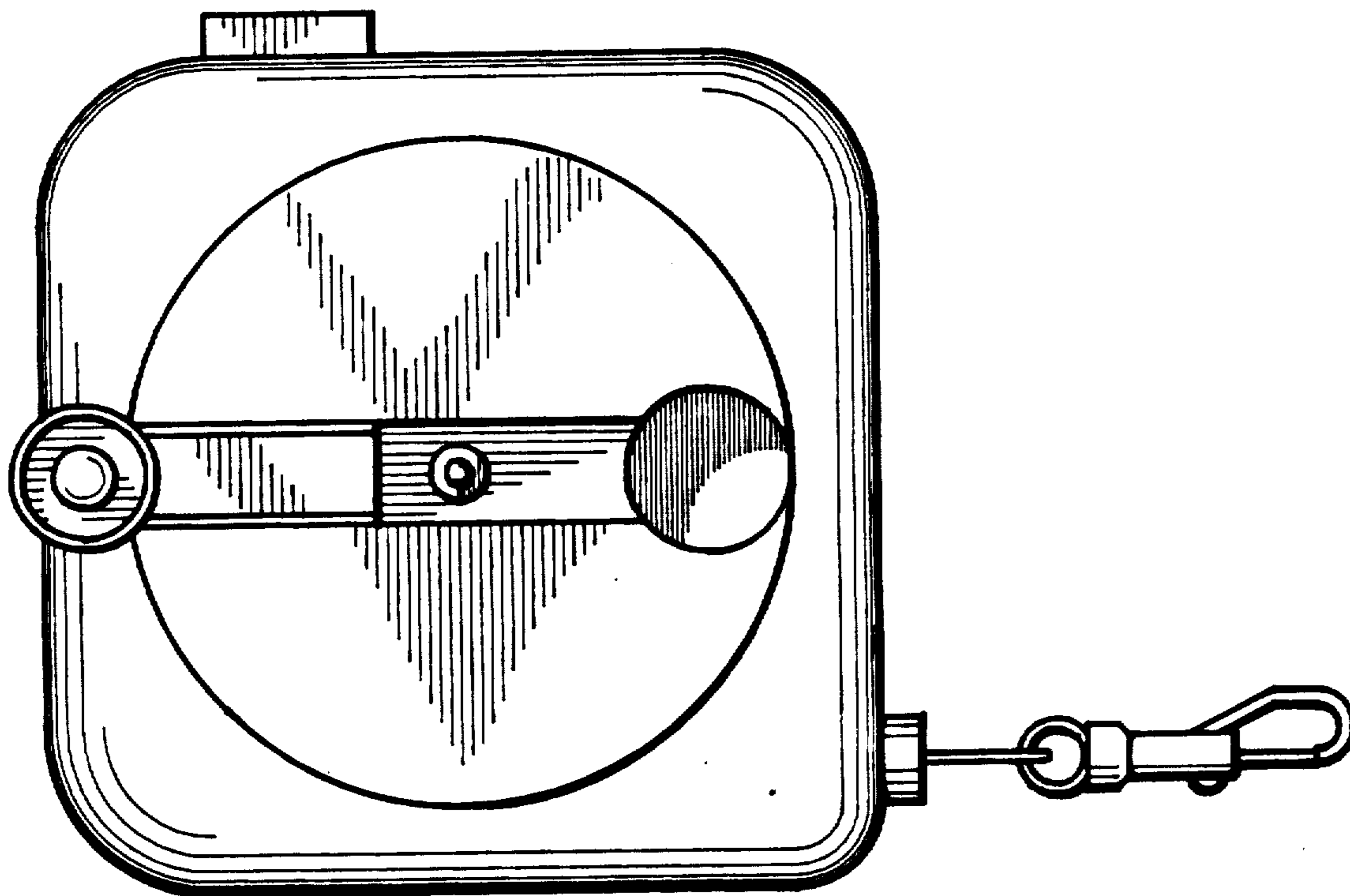
Primary Examiner—Wallace R. Burke
Assistant Examiner—Holly H. Baynham
Attorney, Agent, or Firm—Jerry T. Kearns

[57] CLAIM

The ornamental design for a reel for hoisting hunting equipment up a tree, as shown and described.

DESCRIPTION

FIG. 1 is a front elevational view of a reel for hoisting hunting equipment up a tree showing my new design; FIG. 2 is a rear elevational view thereof; FIG. 3 is a left side elevational view thereof; FIG. 4 is a right side elevational view thereof; FIG. 5 is a top plan view thereof; FIG. 6 is a bottom plan view thereof; and, FIG. 7 is a perspective view thereof.



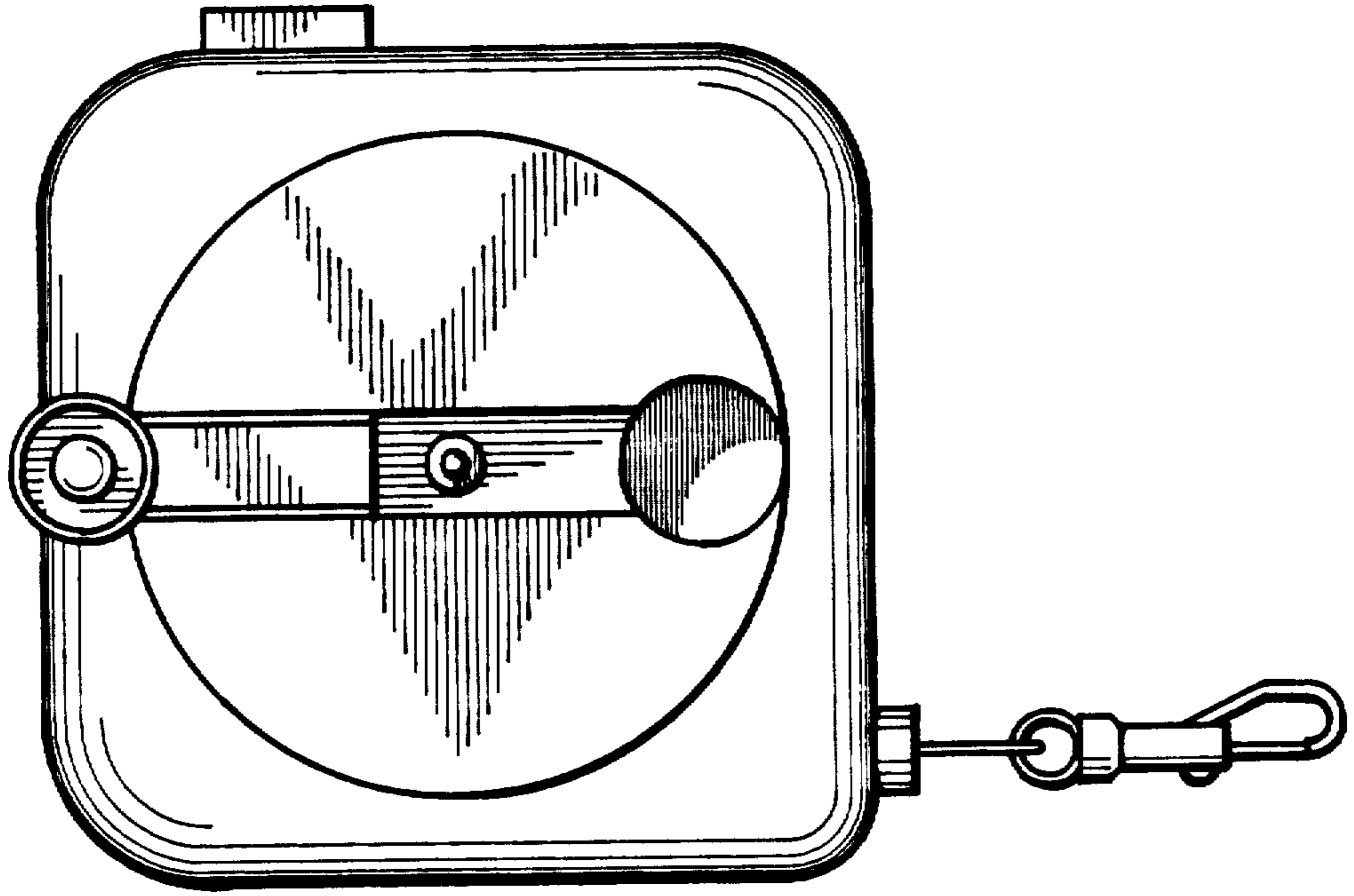


Fig. 1

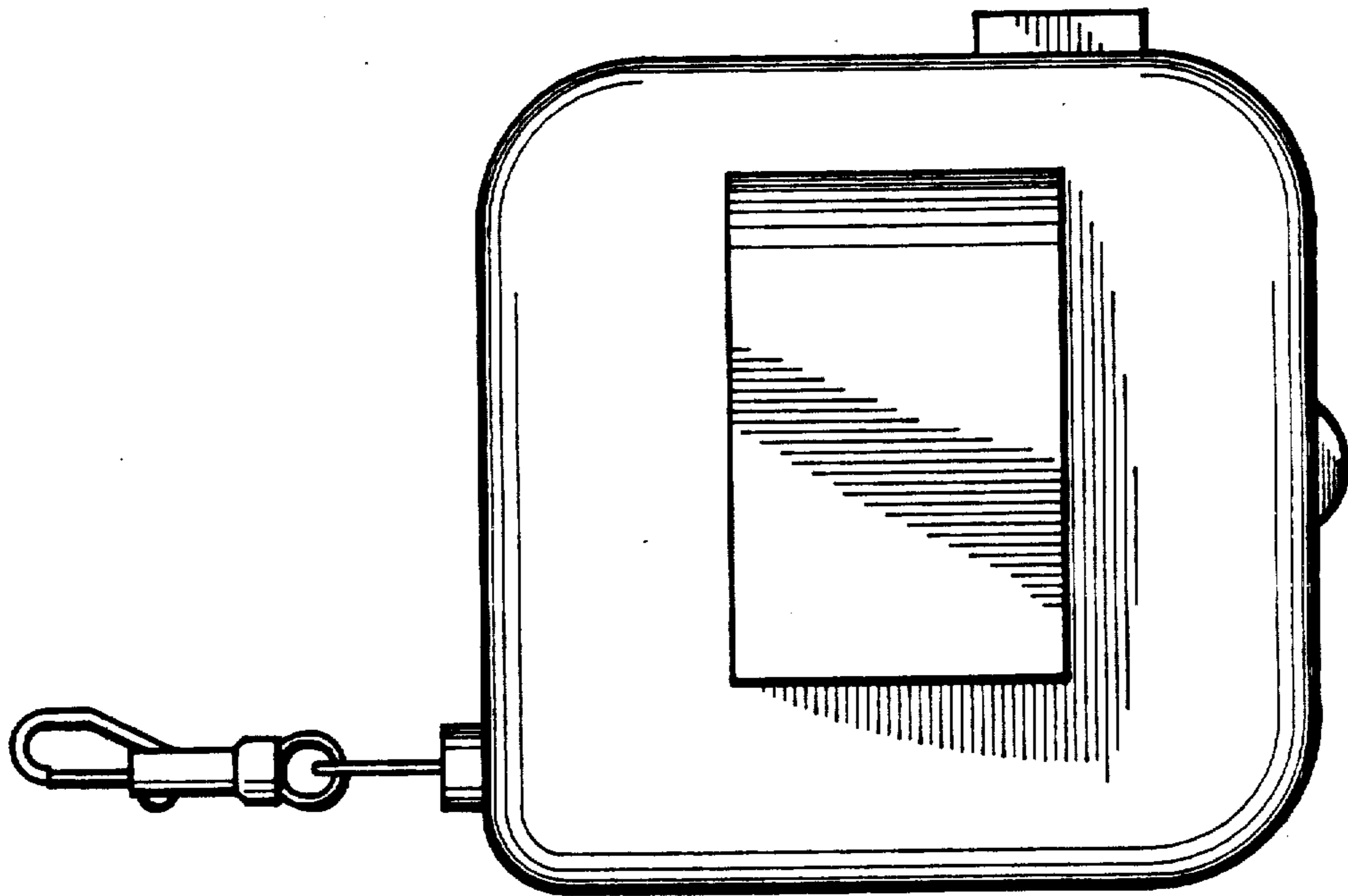


Fig. 2

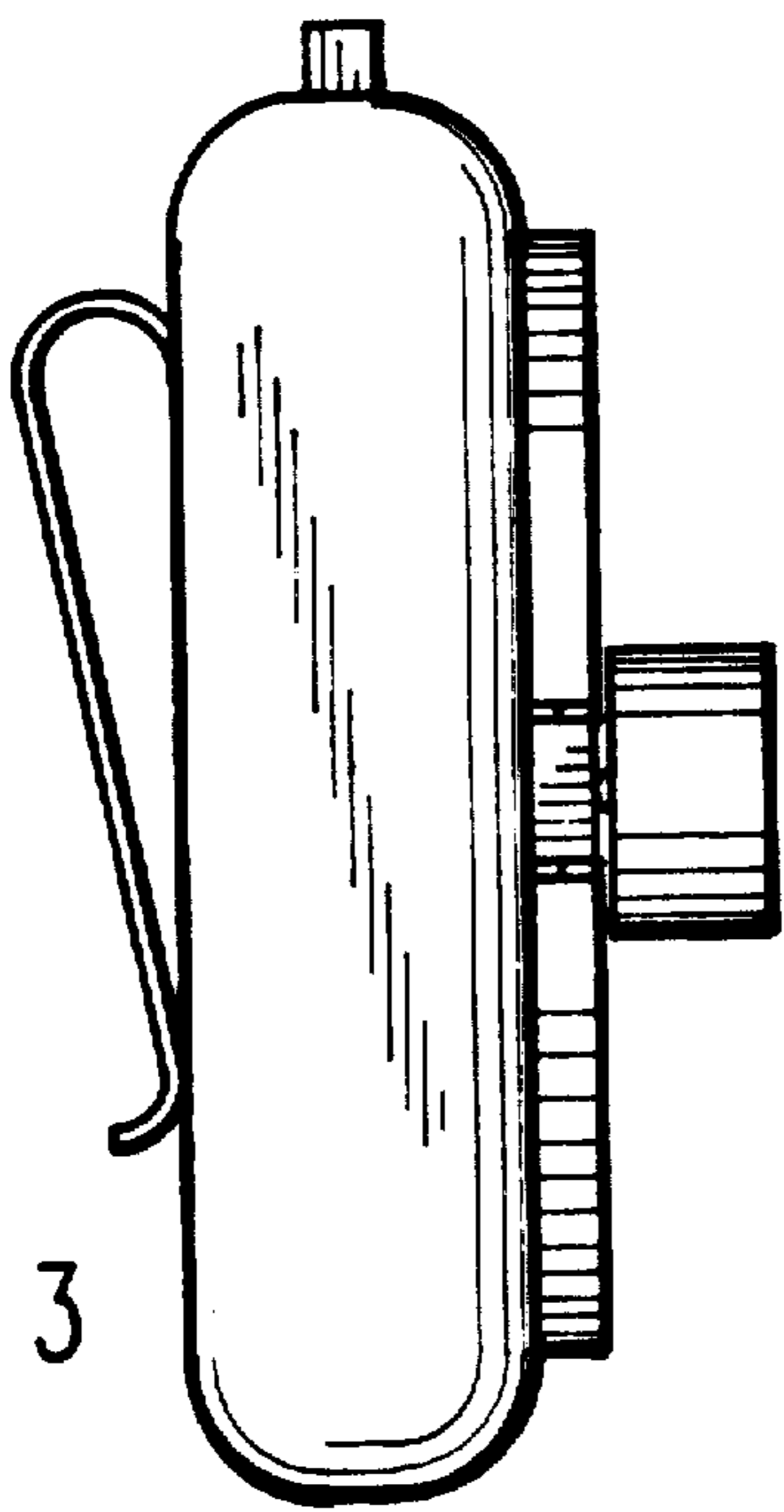


Fig. 3

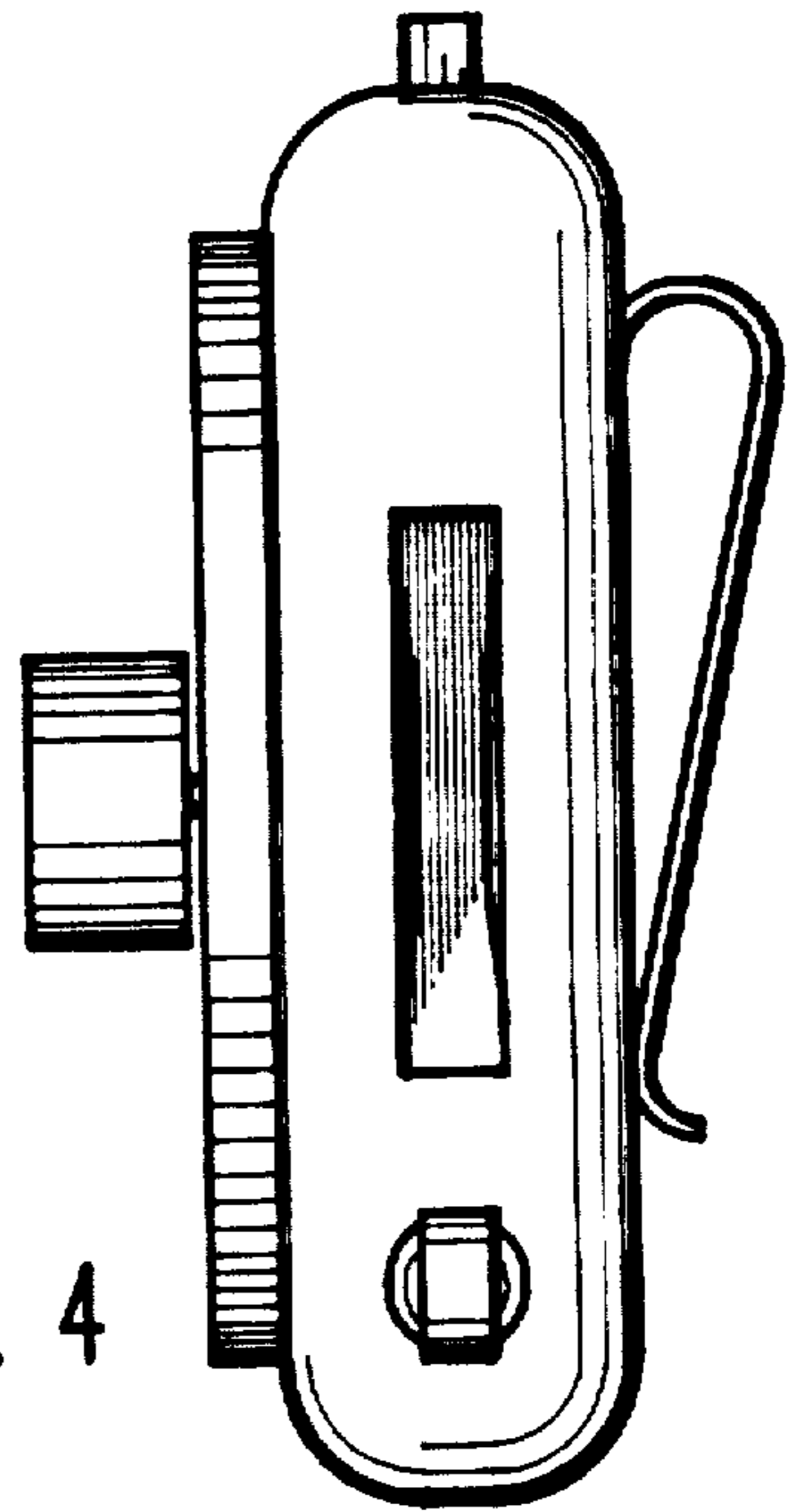


Fig. 4

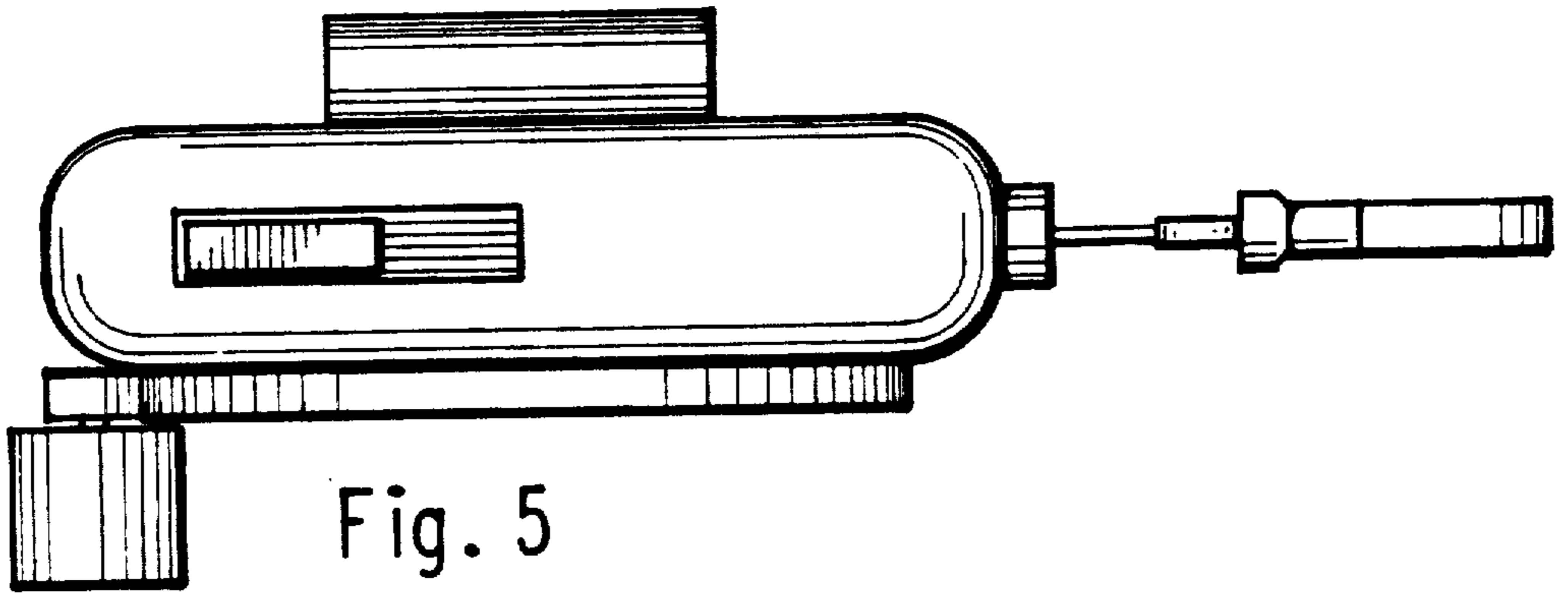


Fig. 5

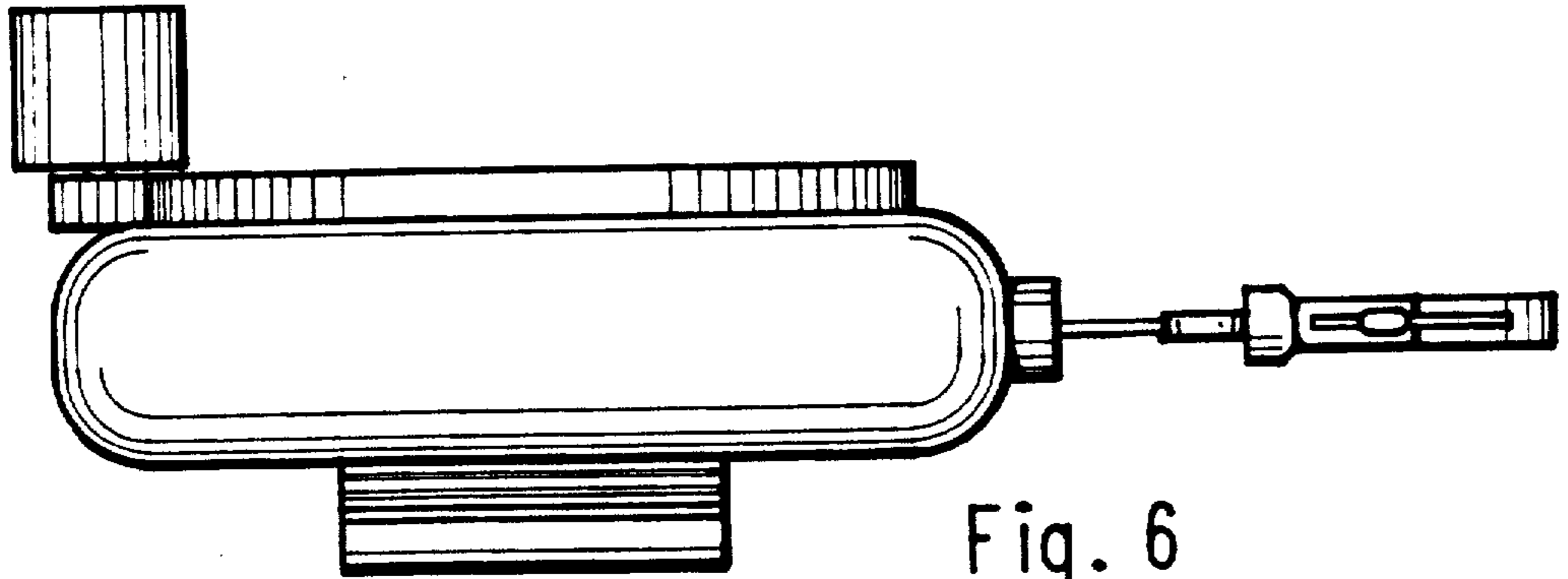


Fig. 6

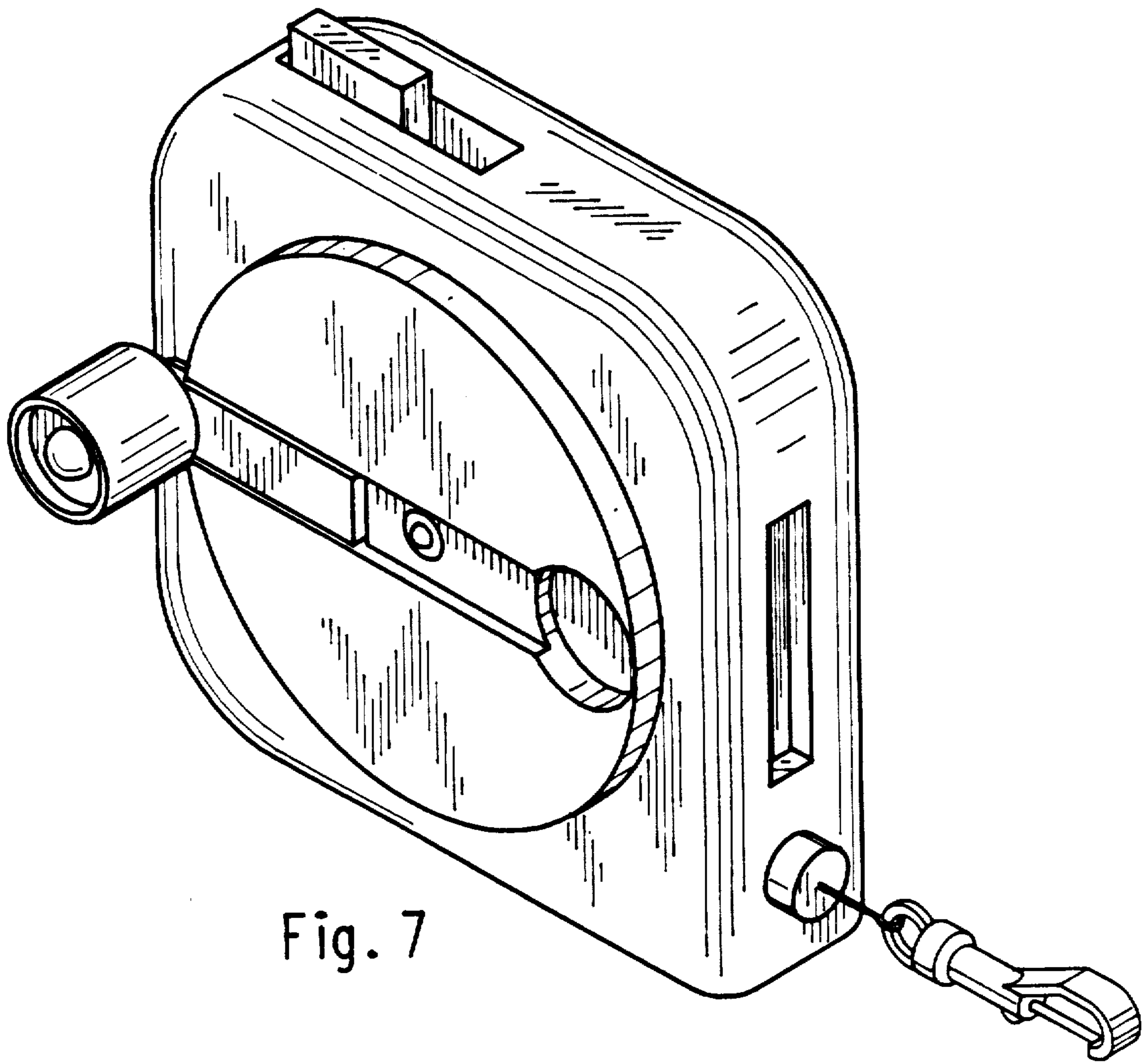


Fig. 7