

[54] ELECTRIC VACUUM CLEANER  
[75] Inventors: Isamu Shinozaki, Toyono; Joseph J. Nukazawa, Tokyo; Tadakazu Narikawa, Yokohama; Jun-ichi Yamada, Higashimurayama, all of Japan

[73] Assignee: Matsushita Electric Industrial Co., Ltd., Osaka, Japan

[\*\*] Term: 14 Years

[21] Appl. No.: 240,611

[22] Filed: Sep. 6, 1988

[30] Foreign Application Priority Data

May 11, 1988 [JP] Japan ..... 63-18444  
[52] U.S. Cl. .... D32/21  
[58] Field of Search ..... D32/21, 23-24;  
15/327 R, 327 B, 327 D, 327 E, 327 F, 412,  
301-302, 314-315, 320-323, 352-353

[56] References Cited

U.S. PATENT DOCUMENTS

D. 246,107 10/1977 Yoshida et al. .... D32/21  
D. 279,614 7/1985 Essex ..... D32/21  
D. 280,143 8/1985 Berfield et al. .... D32/21  
D. 289,213 4/1987 Perkins ..... D32/24  
D. 290,896 7/1987 Kim ..... D32/24

D. 292,833 11/1987 Busalt ..... D32/24  
D. 296,944 7/1988 Yamamoto et al. .... D32/21  
D. 297,475 8/1988 Umehara et al. .... D32/21  
D. 297,871 9/1988 Slany et al. .... D32/21

OTHER PUBLICATIONS

The Miele vacuum cleaners (published autumn 1986).  
Eureka Express vacuum cleaner Model 8290 (distributed at the Apr., 1987 Houseware show).  
National vacuum cleaner (published Sep. 1987); MC-7540/7530/7520.  
Panasonic vacuum clenaer (published Sep. 1987), MC-7490, MC-7480.

Primary Examiner—A. Hugo Word  
Assistant Examiner—Doris Clark  
Attorney, Agent, or Firm—Wenderoth, Lind & Ponack

[57] CLAIM

The ornamental design for an electric vacuum cleaner, as shown.

DESCRIPTION

FIG. 1 is a front, top and right side perspective view of an electric vacuum cleaner showing our new design; FIG. 2 is a right side elevational view thereof; FIG. 3 is a left side elevational view thereof; FIG. 4 is a front elevational view thereof; FIG. 5 is a rear elevational view thereof; FIG. 6 is a top plan view thereof; and FIG. 7 is a bottom plan view thereof.

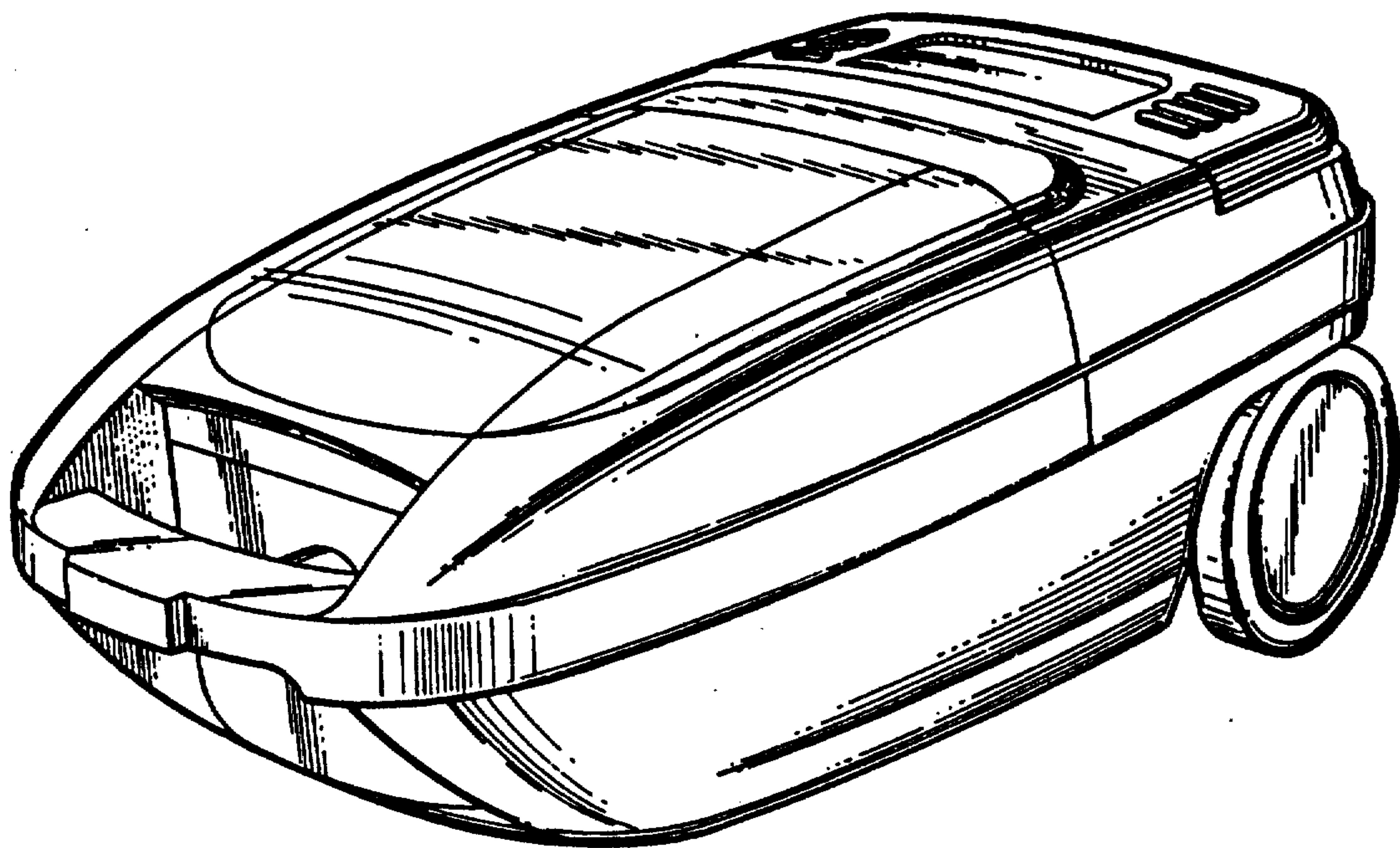


FIG. 1

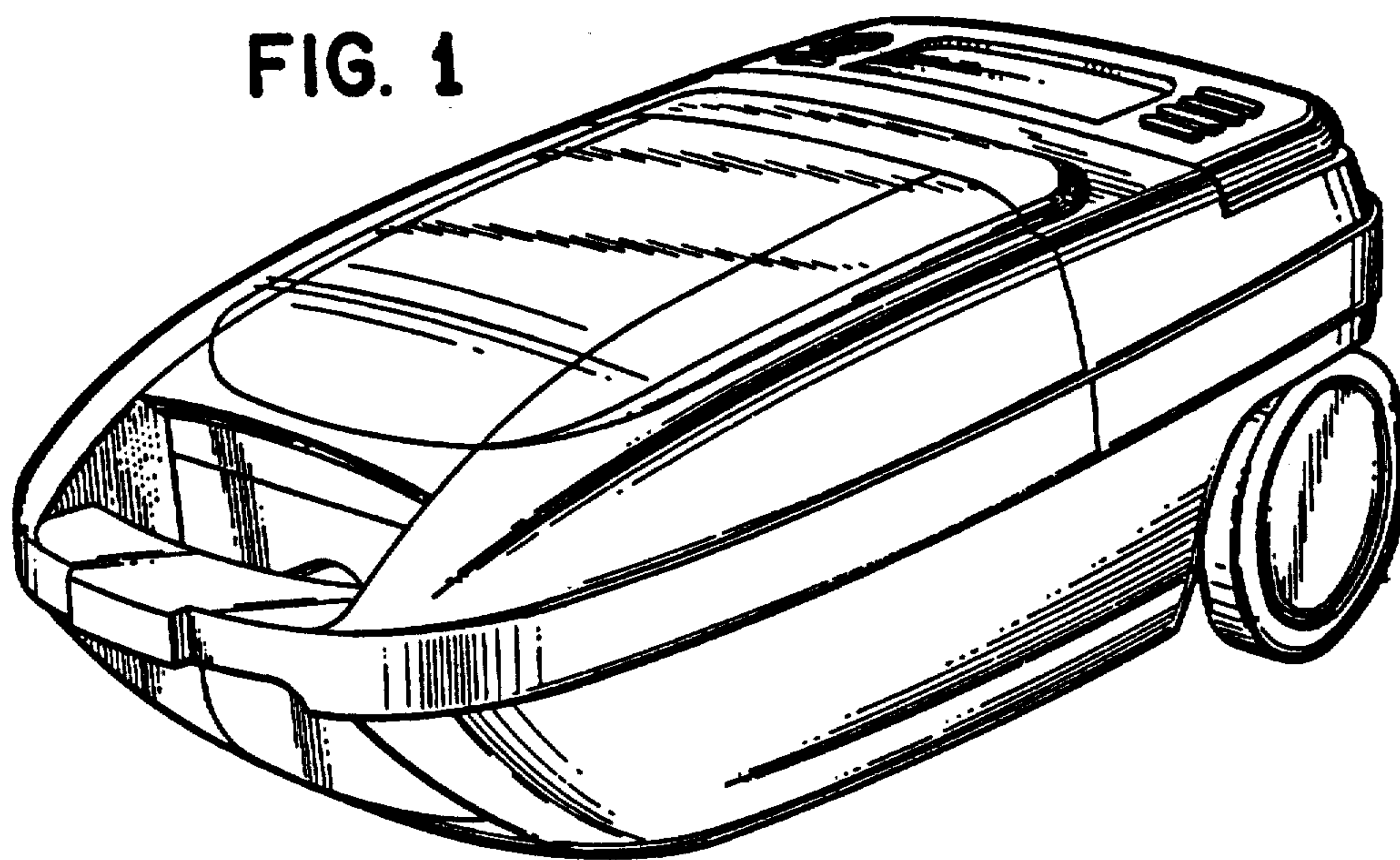


FIG. 2

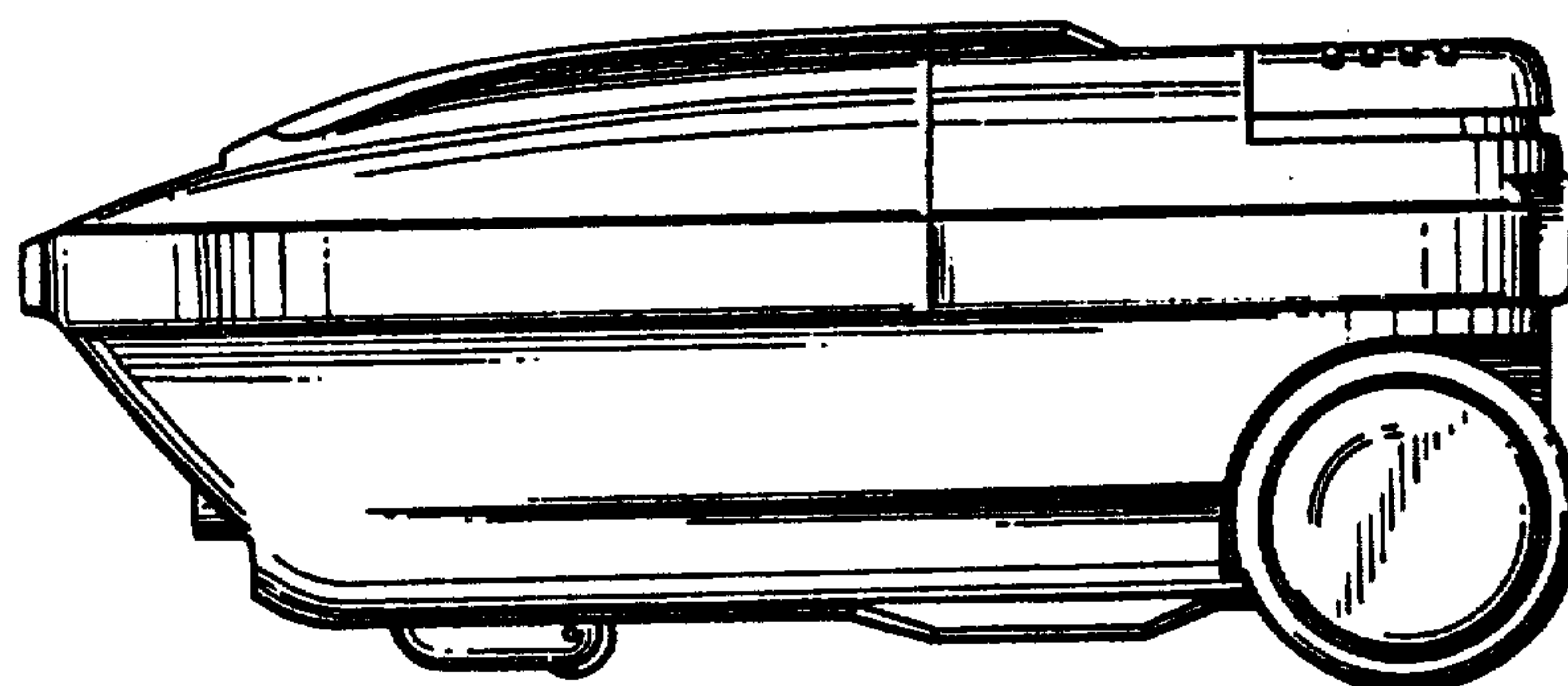


FIG. 3

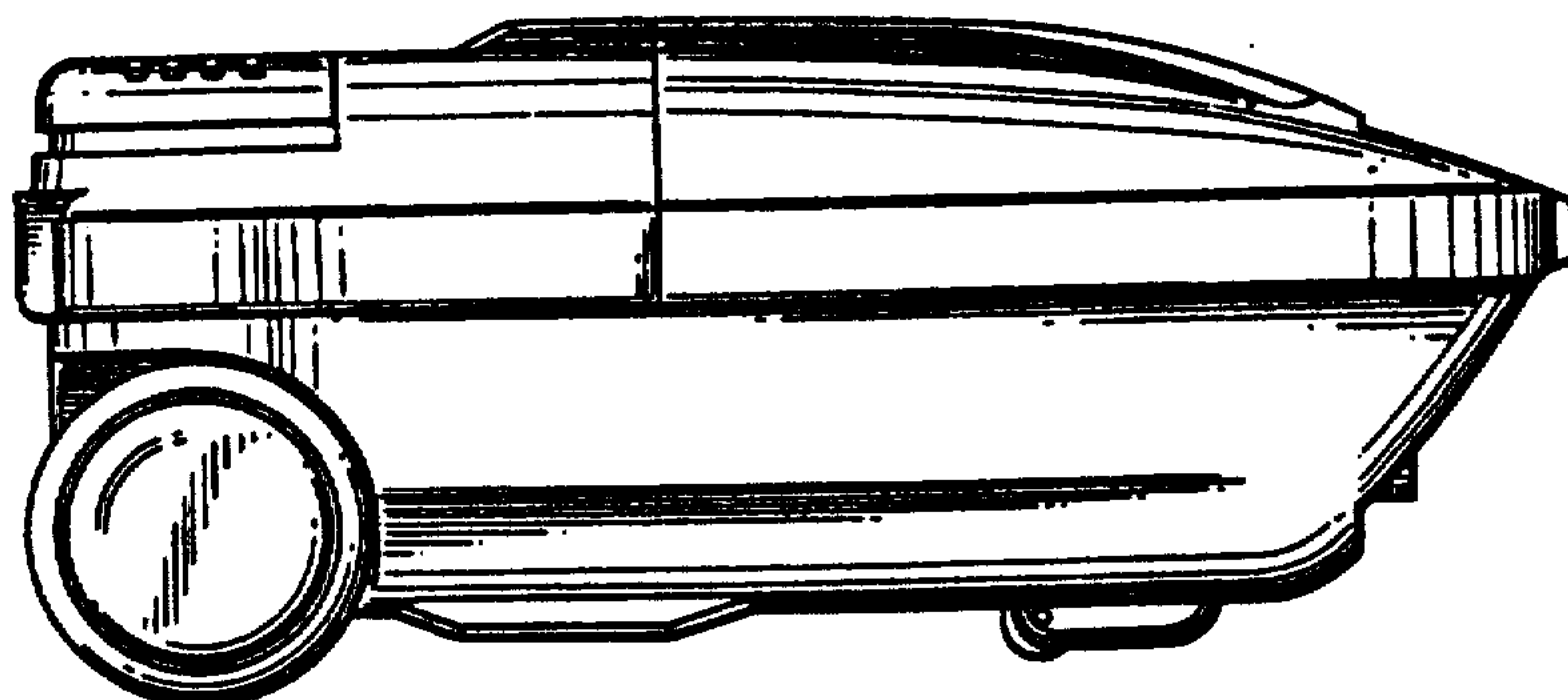




FIG. 4

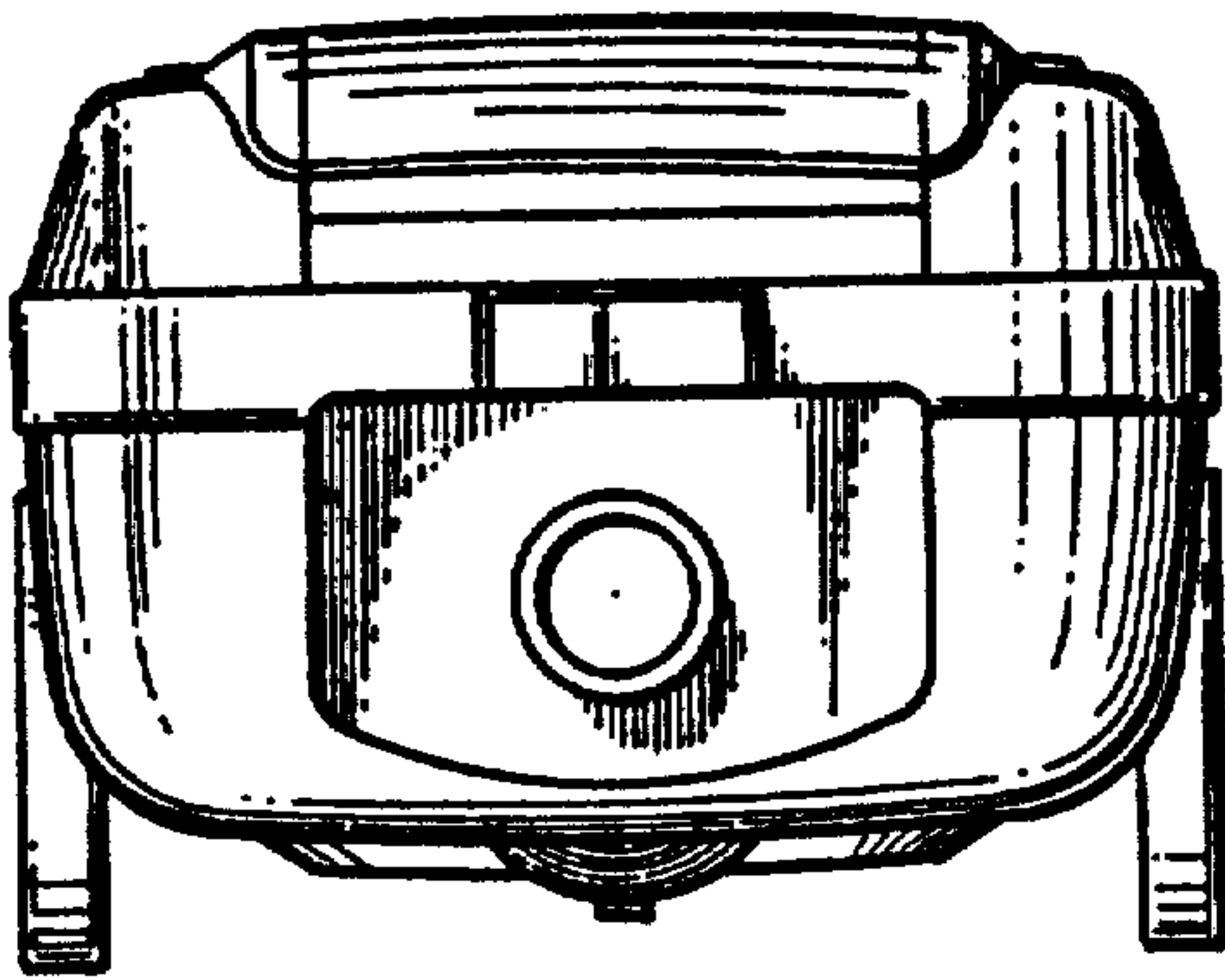


FIG. 5

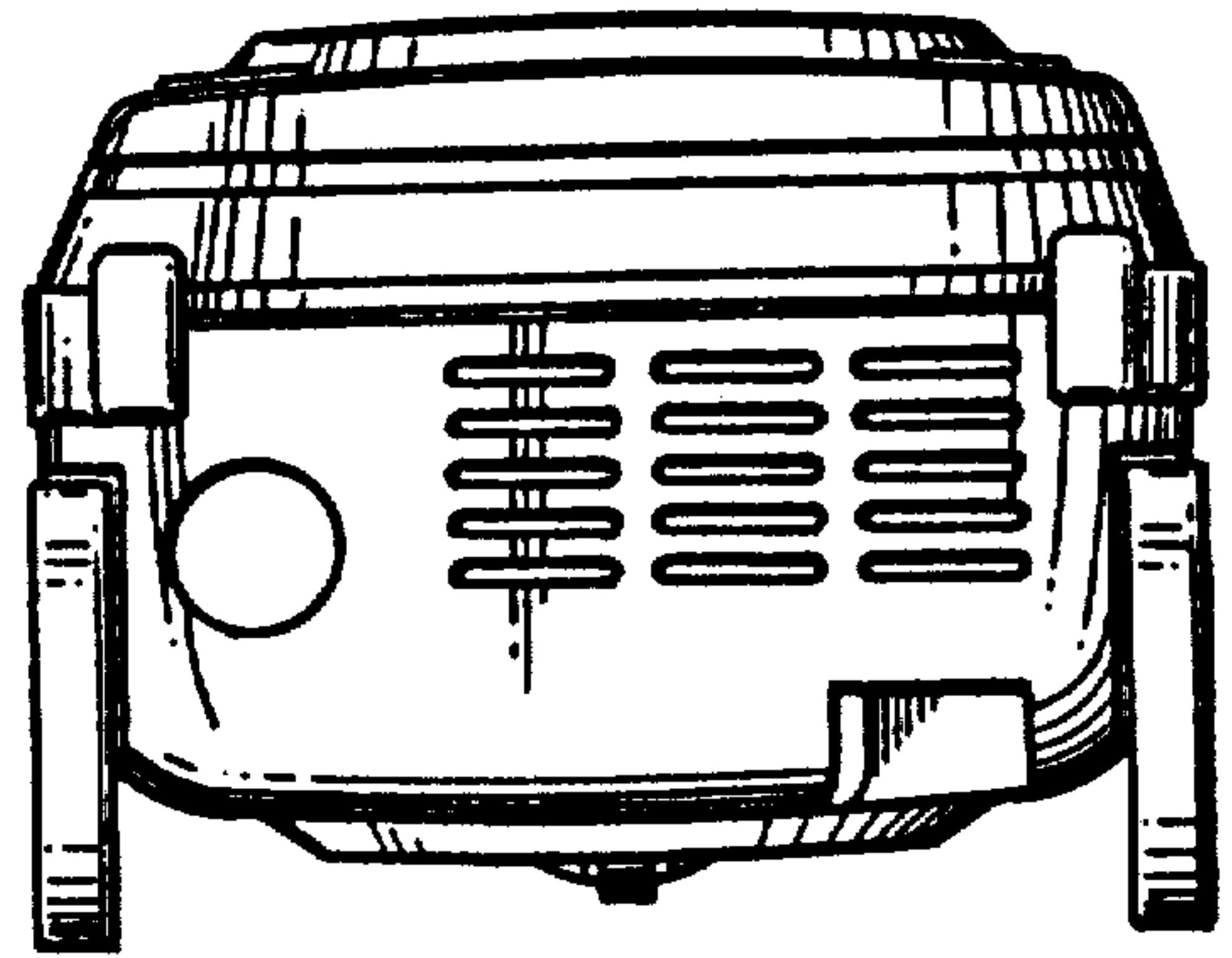


FIG. 6

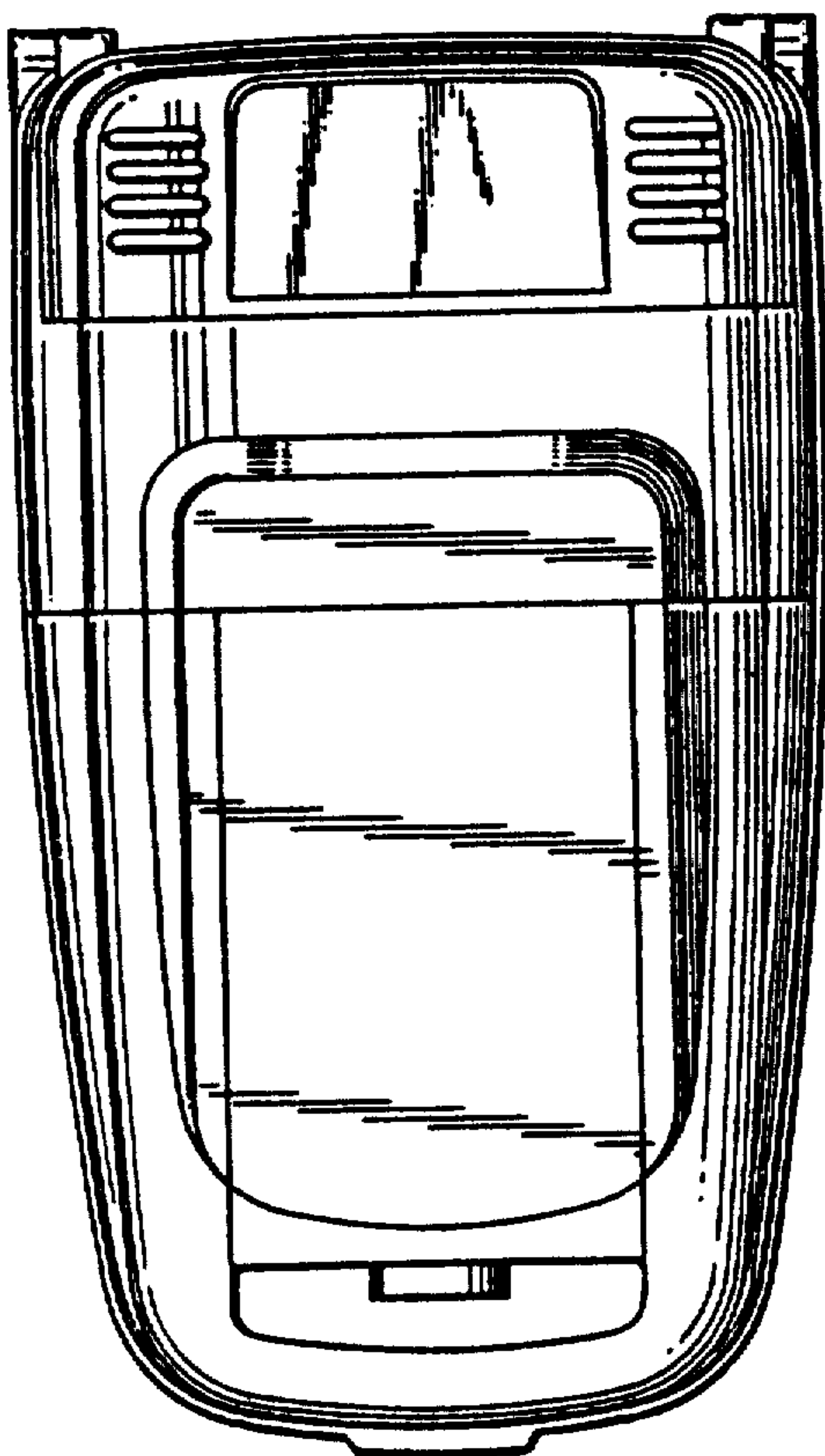


FIG. 7

