

[54] HANDLE FOR CURLING IRON

[75] Inventor: Chi M. Chui, North Point, Hong Kong

[73] Assignee: Well Treasure Ind. Ltd., Kowloon, Hong Kong

[\*\*] Term: 14 Years

[21] Appl. No.: 313,809

[22] Filed: Feb. 22, 1989

[52] U.S. Cl. .... D28/35

[58] Field of Search ..... D28/35, 38; 132/117, 132/118, 212, 229-232, 269, 271-272; 219/222-225

[56] References Cited

U.S. PATENT DOCUMENTS

4,354,092	10/1982	Manabe et al. ....	219/225
4,567,905	2/1982	Stewart et al. ....	132/212
4,857,702	8/1989	Cafaro et al. ....	219/225

OTHER PUBLICATIONS

Hong Kong Enterprise; 11/1986, p. 337, bottom left, #HB-88.

Hong Kong Enterprise; 11/1987, p. 213, top right, curling iron at center.

Primary Examiner—Bernard Ansher

Assistant Examiner—C. Tuttle

Attorney, Agent, or Firm—Burns, Doane, Swecker & Mathis

[57] CLAIM

The ornamental design for a handle for curling iron, as shown and described.

DESCRIPTION

FIG. 1 is a top plan view of a handle for a curling iron showing my new design;

FIG. 2 is a bottom plan view thereof;

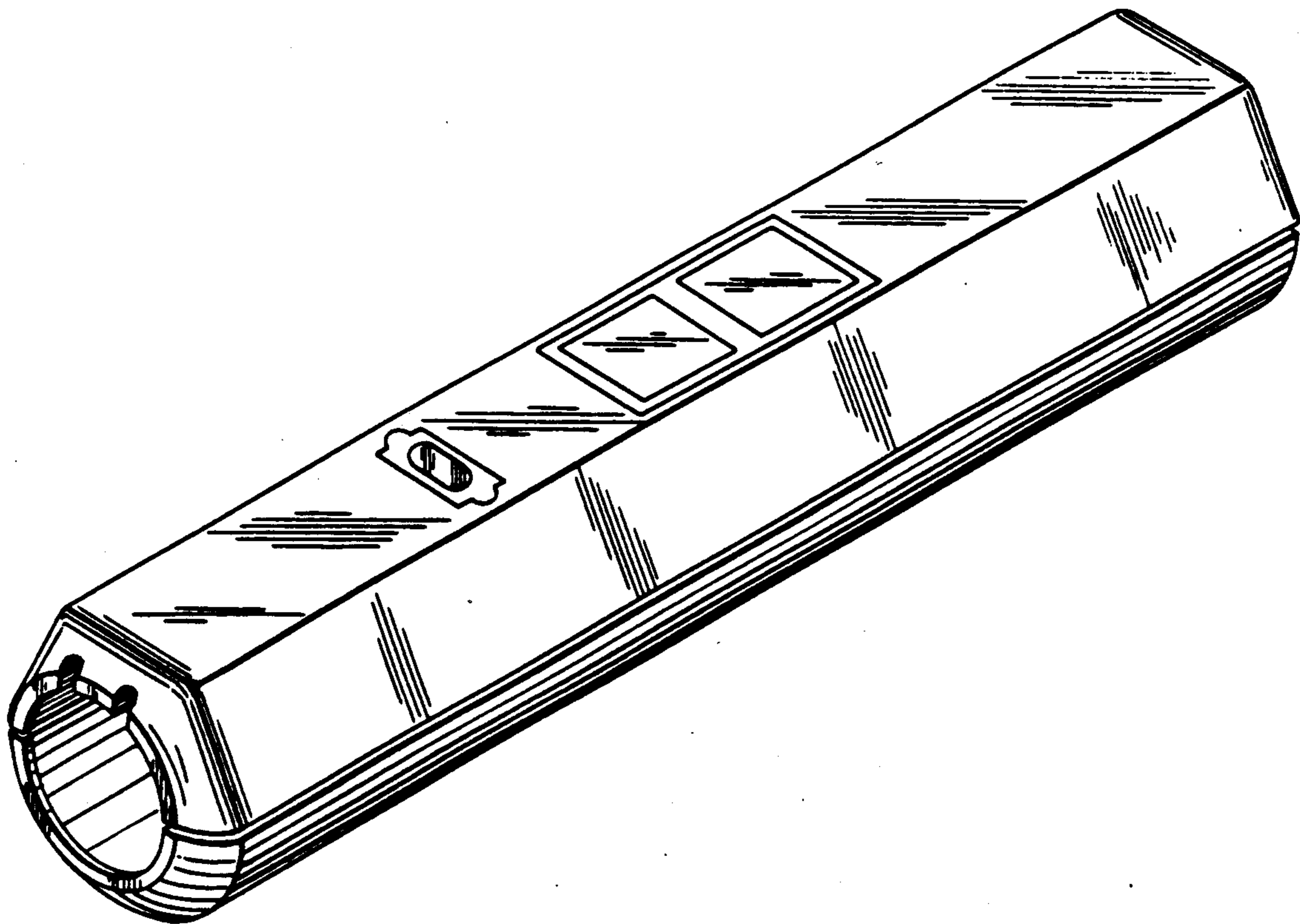
FIG. 3 is a left side elevational view thereof;

FIG. 4 is a right side elevational view thereof;

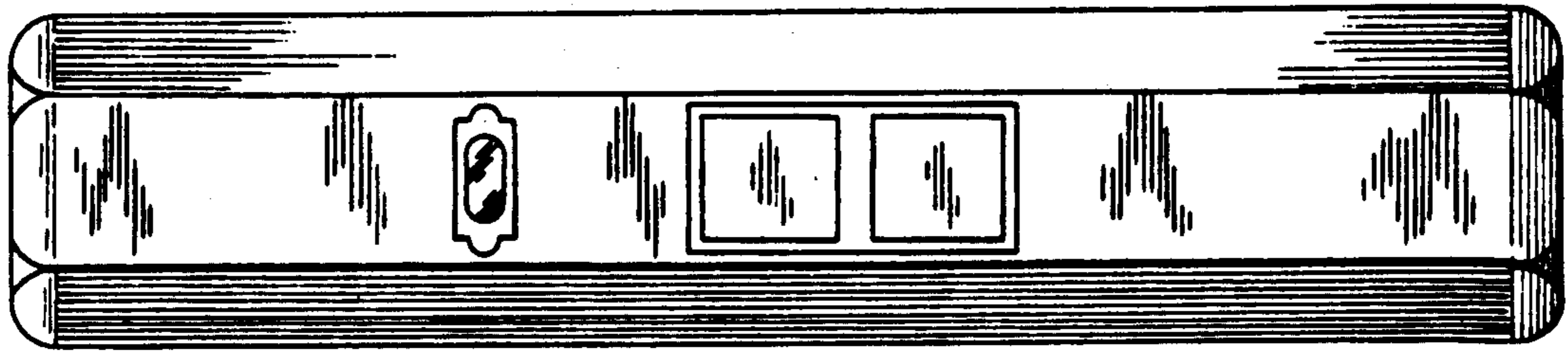
FIG. 5 is a front elevational view thereof;

FIG. 6 is a rear elevational view thereof; and

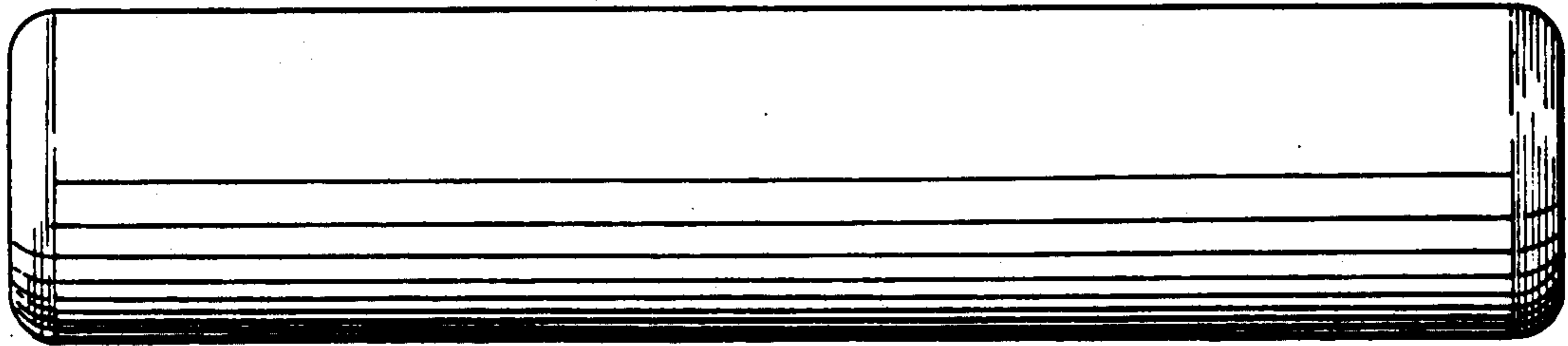
FIG. 7 is a perspective view thereof.



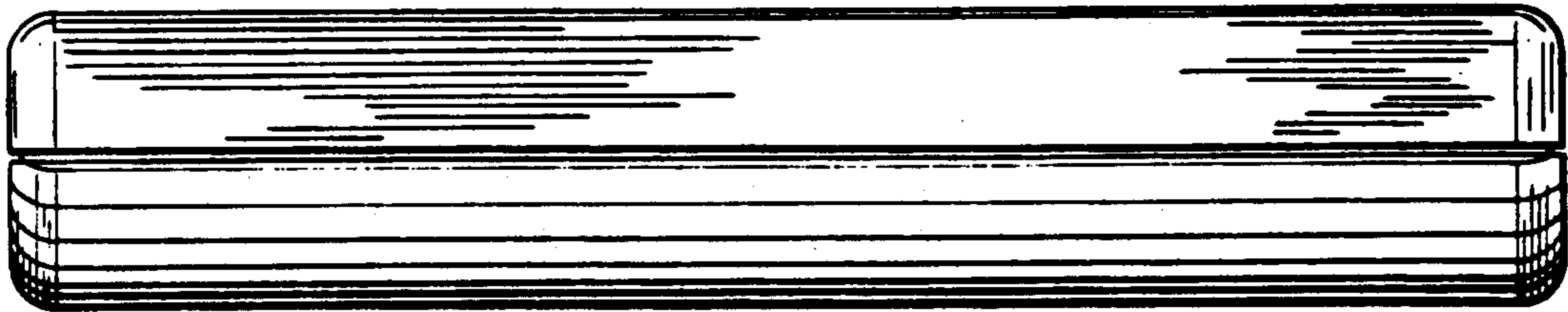
*Fig. 1*



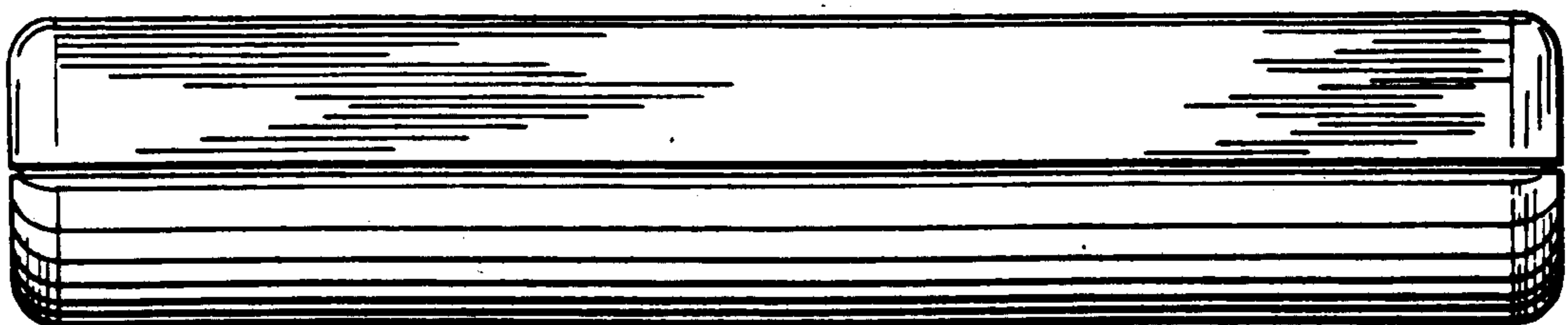
*Fig. 2*



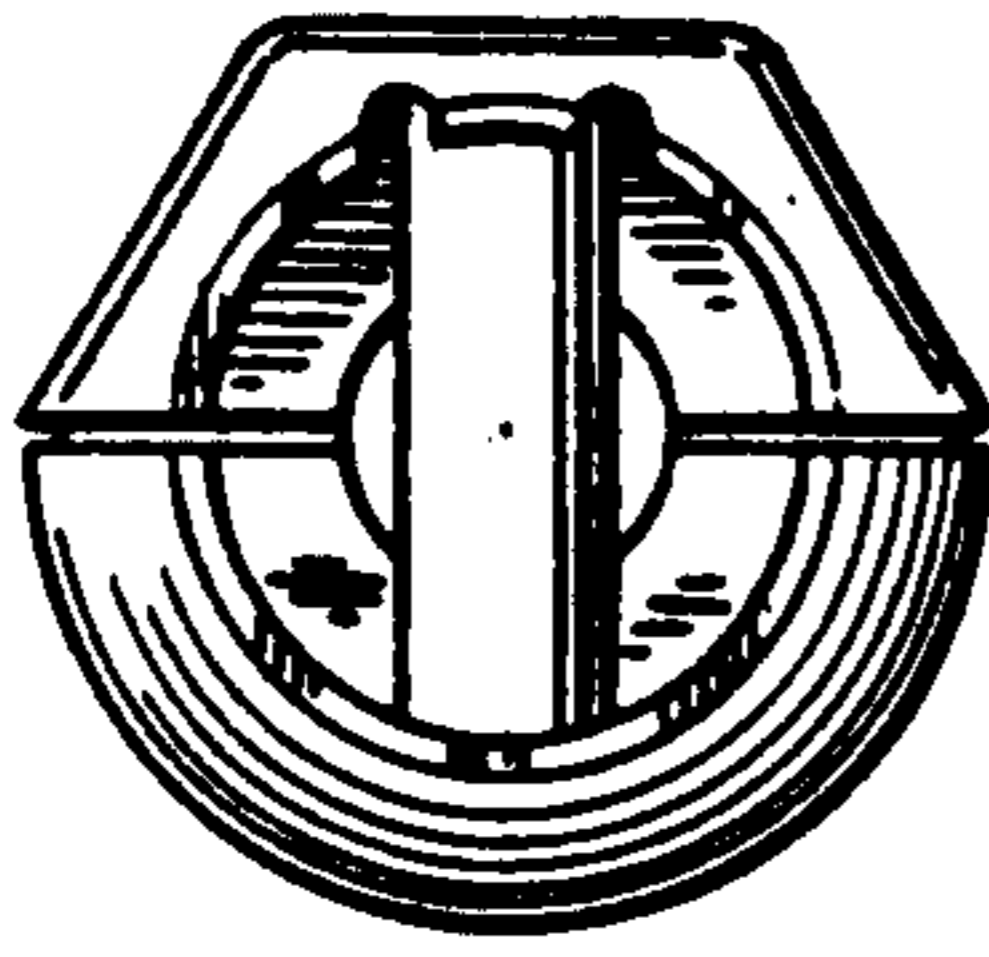
*Fig. 3*



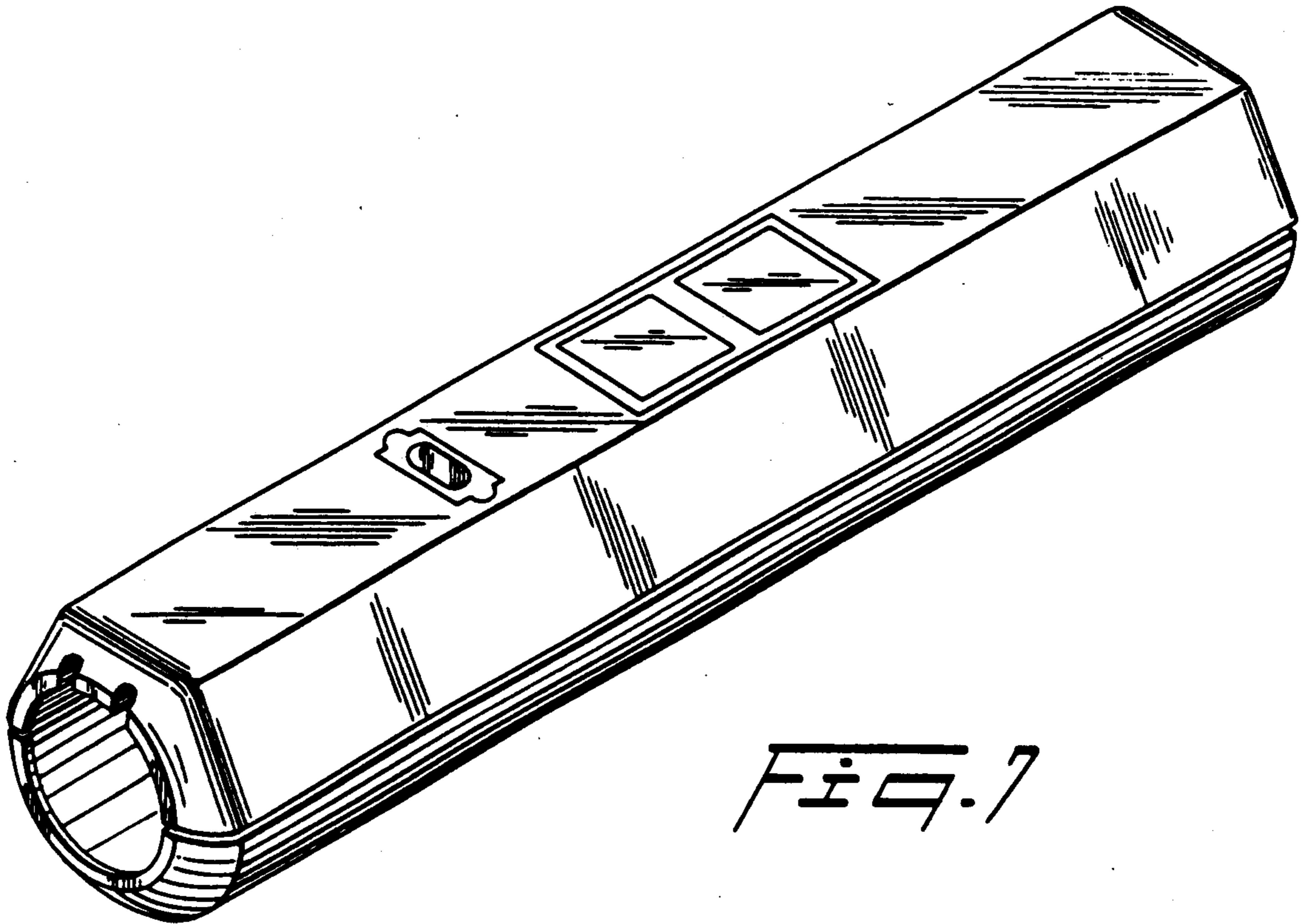
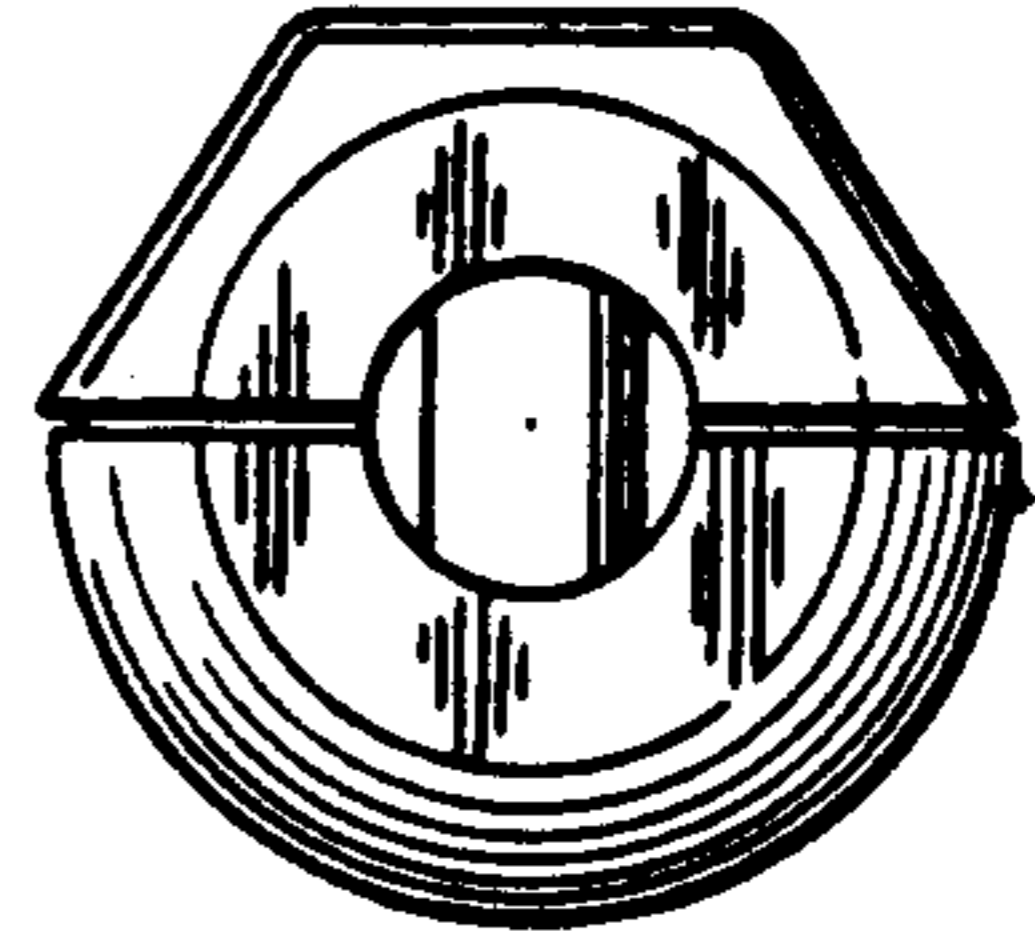
*Fig. 4*



*Fig. 6*



*Fig. 5*



*Fig. 7*