

[54] WALL LANTERN

[76] Inventor: Young J. Choi, Green Villa 211
219-3, Sinyang-Ri, Juduk-Myun,
Jungwon-Kun, Choongchung
Buk-Do, Rep. of Korea

[**] Term: 14 Years

[21] Appl. No.: 357,445

[22] Filed: May 26, 1989

[52] U.S. Cl. D26/87

[58] Field of Search D26/72, 80-92;
362/147, 404-408, 432, 362, 363, 367

[56] References Cited

U.S. PATENT DOCUMENTS

D. 66,189	12/1924	Jaeger	D26/87
D. 206,083	10/1966	Rosen	D26/87
4,635,168	1/1987	Crowley	362/147
4,712,166	12/1987	Stewart	362/147

OTHER PUBLICATIONS

Home Lighting & Accessories, 6-1987, p. 37, Wall Lan-
tern.

Kichler Lighting Catalog, 8-1987, p. 95, Wall Lantern,
K-9466.

Lightcraft of Calif. Catalog, ©1971, p. 89, Wall Lan-
tern, 385-20-99.

Lighting Designers Catalog, ©1987, p. 109, Wall Lan-
tern, 8582-81.

Primary Examiner—Susan J. Lucas

Attorney, Agent, or Firm—Wenderoth, Lind & Ponack

[57] CLAIM

The ornamental design for a wall lantern, as shown and
described.

DESCRIPTION

FIG. 1 is a top, front, left side perspective view of a wall
lantern showing my new design;

FIG. 2 is a front elevation view thereof;

FIG. 3 is a rear elevation view thereof;

FIG. 4 is a left side elevation view thereof, the right side
being a mirror image;

FIG. 5 is a top plan view thereof; and

FIG. 6 is a bottom plan view thereof.

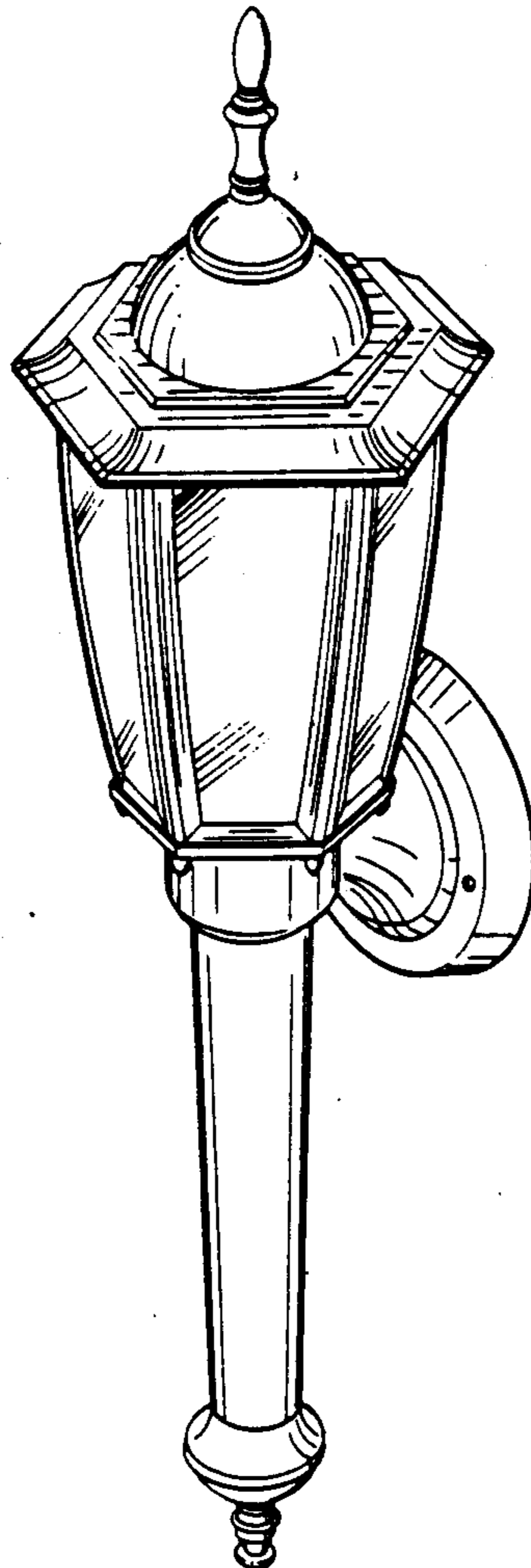


FIG. 1

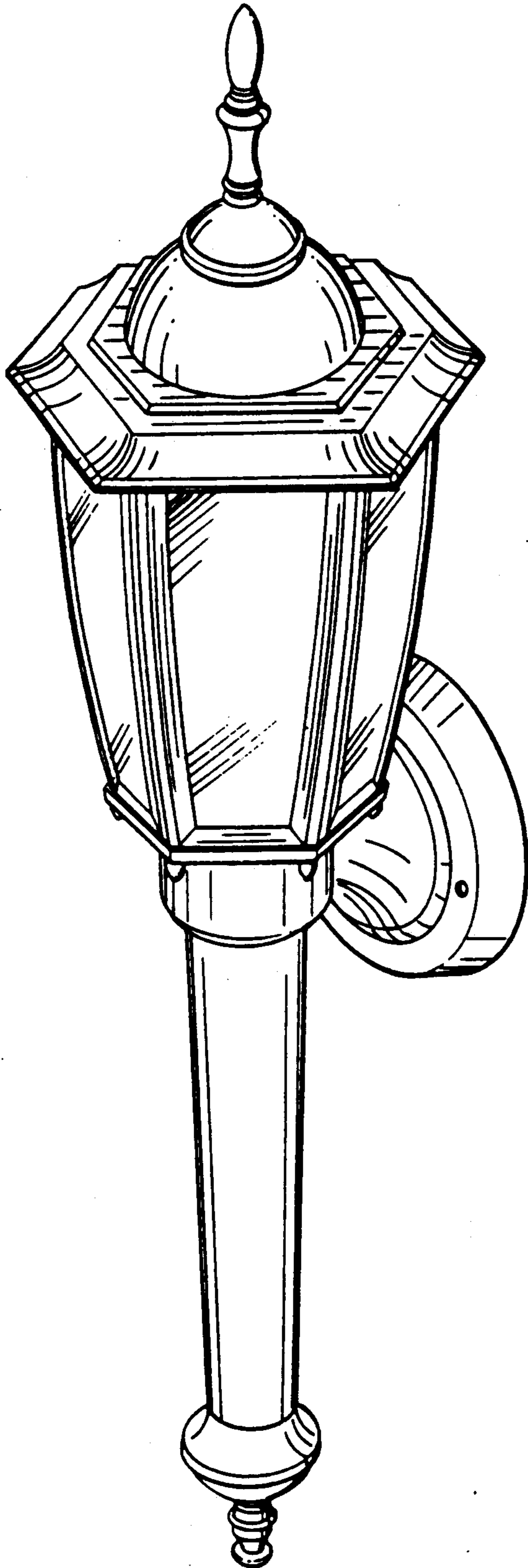


FIG. 2

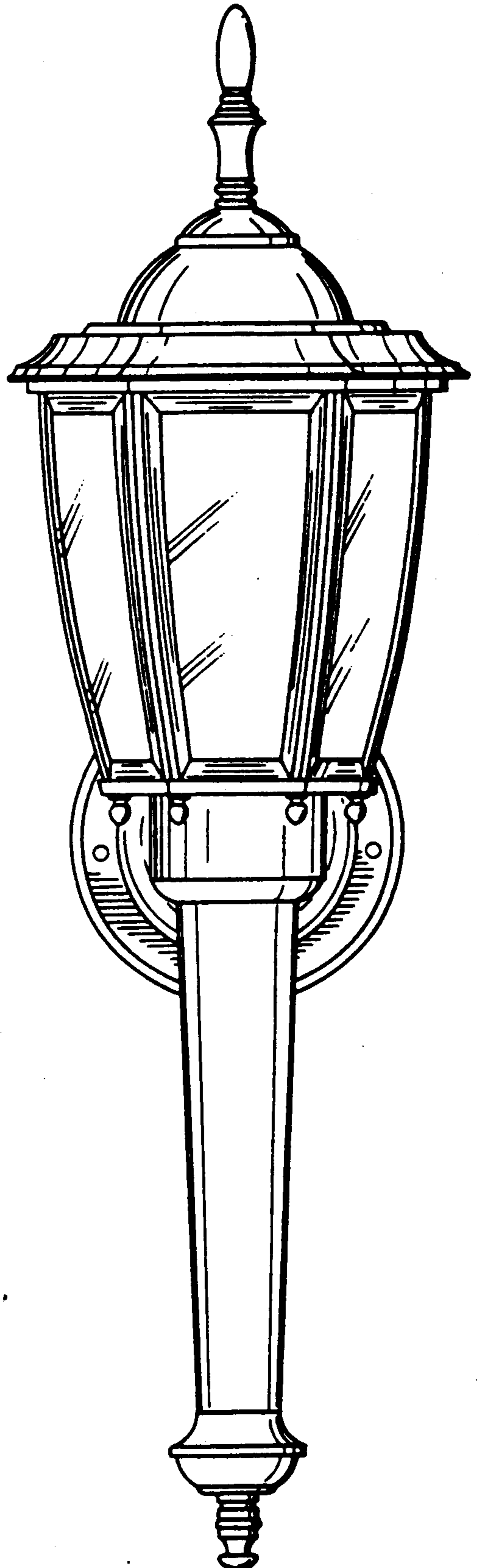


FIG. 3

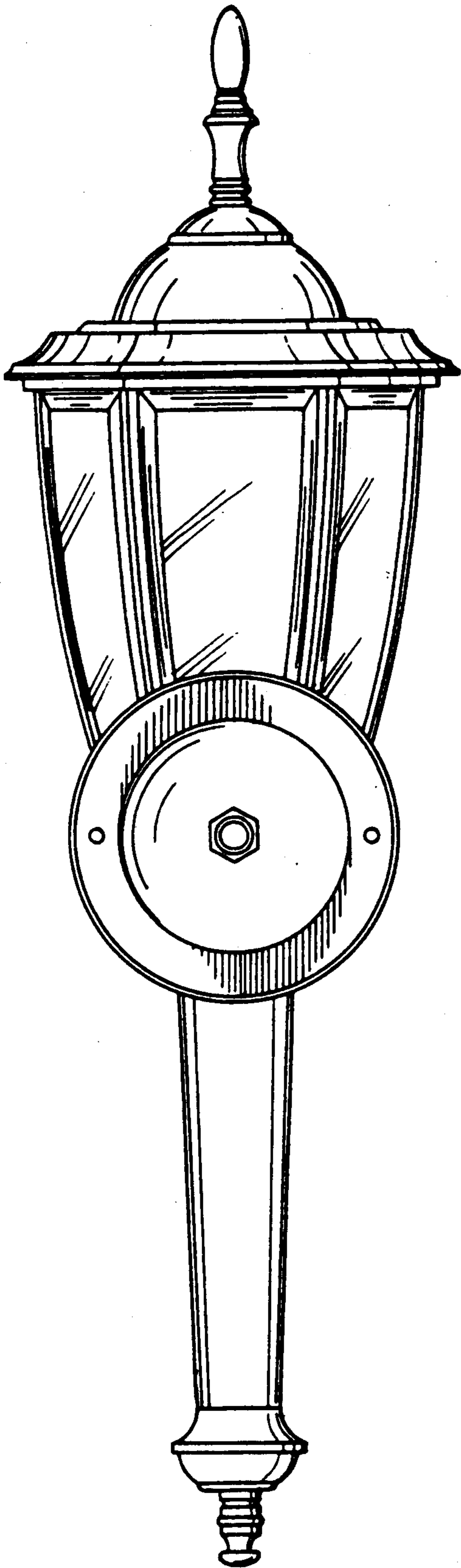


FIG. 4

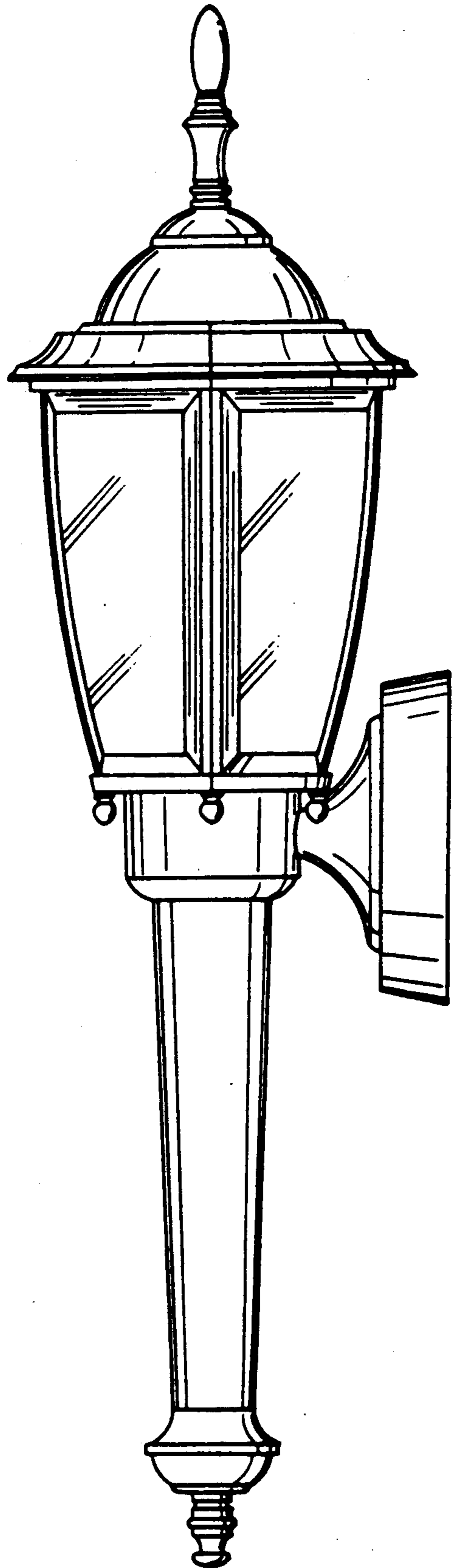


FIG. 5

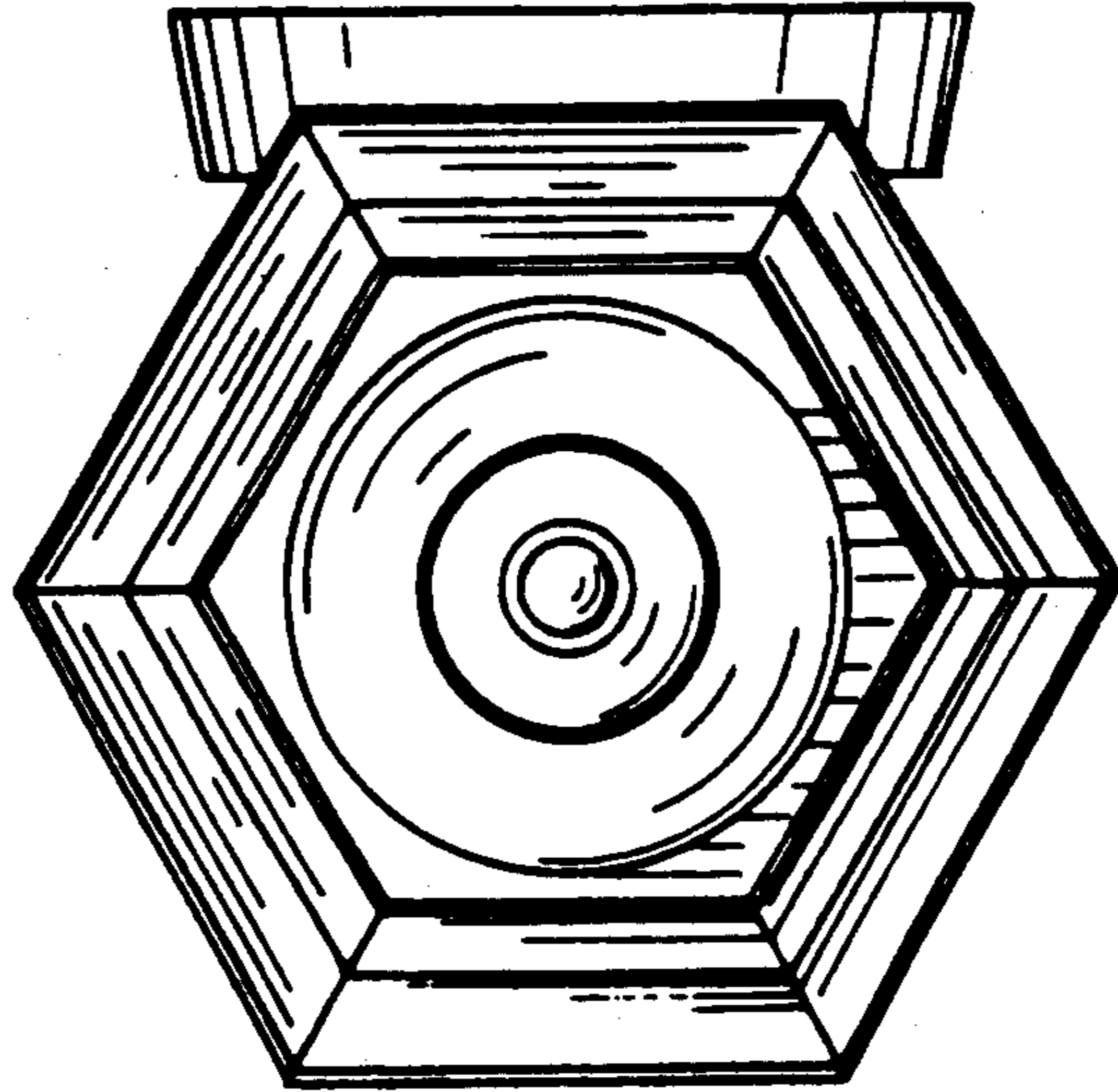


FIG. 6

