

[54] ADJUSTABLE LAMP

[75] Inventor: Fabio Lombardo, Palermo, Italy

[73] Assignee: Flos S.p.A., Brescia, Italy

[\*\*] Term: 14 Years

[21] Appl. No.: 307,760

[22] Filed: Feb. 6, 1989

[52] U.S. Cl. .... D26/63; D26/87;  
D26/106

[58] Field of Search ..... D26/60-66,  
D26/93, 102-112, 72, 81-92, 24; 362/269, 275,  
410-414, 417, 418, 404, 432, 247

[56] References Cited

U.S. PATENT DOCUMENTS

D. 166,316 4/1952 Juergens ..... D26/63  
D. 301,759 6/1989 Forcolini ..... D26/106

OTHER PUBLICATIONS

Form 114, 1986, p. 84, Floor lamp.  
Form 114, 1986, p. 84, Wall lamp.  
Lamp Journal, 5-1970, p. 50, Table lamp.

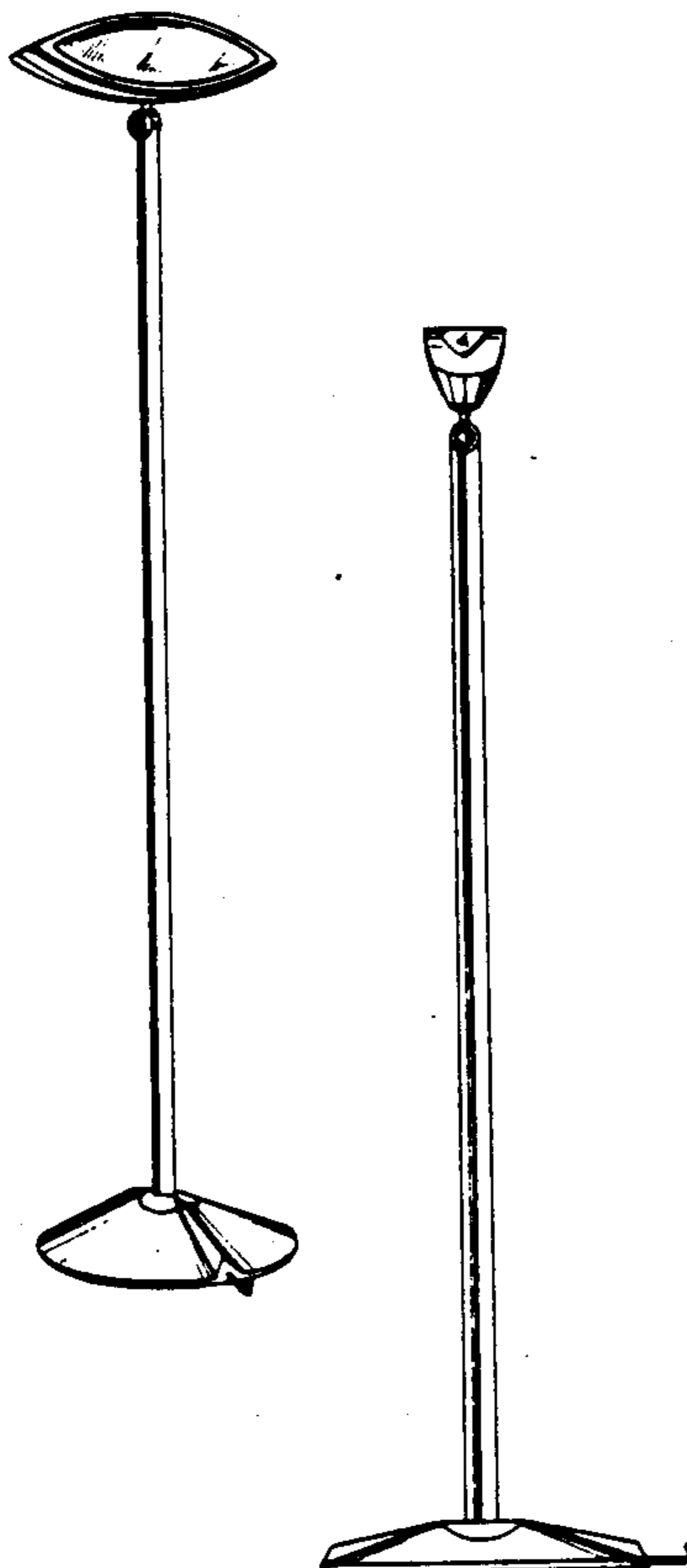
Primary Examiner—Susan J. Lucas  
Attorney, Agent, or Firm—McGlew & Tuttle

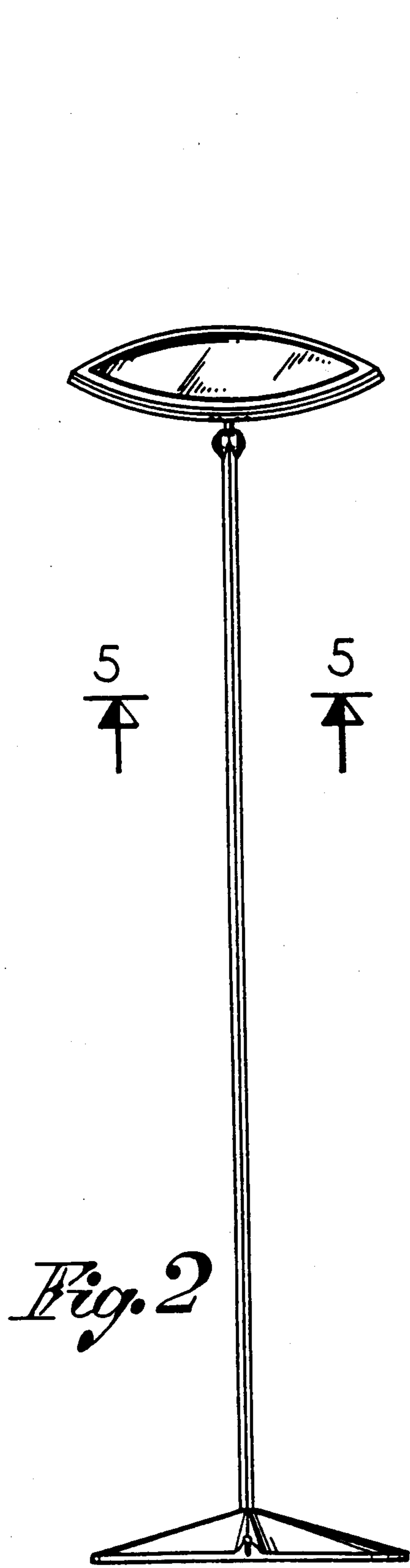
[57] CLAIM

The ornamental design for an adjustable lamp, as shown and described.

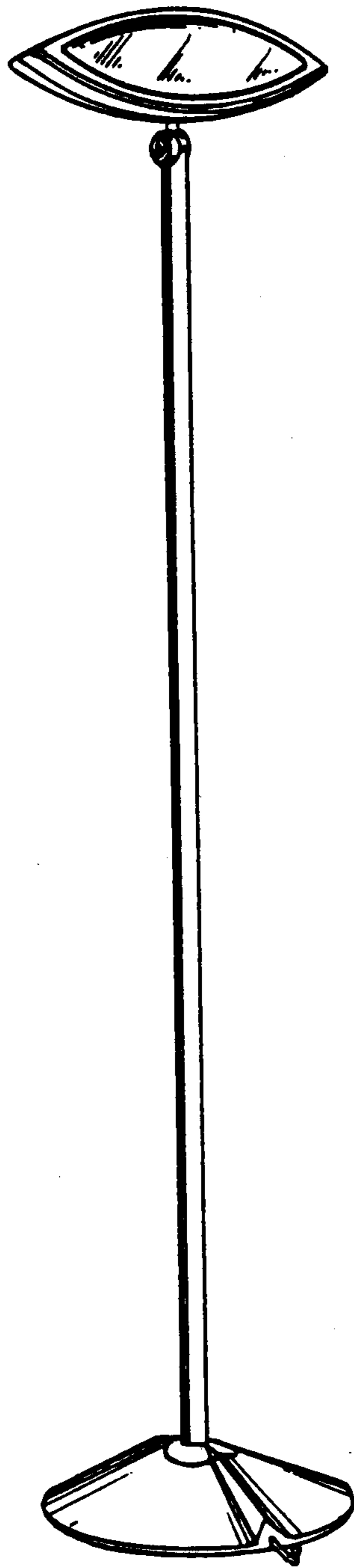
DESCRIPTION

FIG. 1 is a front perspective view of an adjustable lamp showing my new design as embodied in a floor lamp; FIG. 2 is a front elevational view thereof, the rear being a mirror image; FIG. 3 is a side elevational view thereof, the opposite side being a mirror image; FIG. 4 is a top plan view thereof; FIG. 5 is an enlarged cross-sectional view thereof as taken along line 5—5 of FIG. 2; FIG. 6 is a front, right side perspective view of a second embodiment of the adjustable lamp of my design as embodied in a wall lamp; FIG. 7 is a left side elevational view thereof; FIG. 8 is a top plan view thereof; FIG. 9 is a rear elevational view thereof; FIG. 10 is a bottom plan view thereof; FIG. 11 is a cross-sectional view thereof taken along line 11—11 of FIG. 6; FIG. 12 is a front, right side perspective view of a third embodiment of the adjustable lamp embodying my design as embodied in a wall lamp; FIG. 13 is a left side elevational view thereof; FIG. 14 is a top plan view thereof; FIG. 15 is a rear elevational view thereof; FIG. 16 is a bottom plan view thereof; FIG. 17 is a cross-sectional view thereof as taken along line 17—17 of FIG. 12.

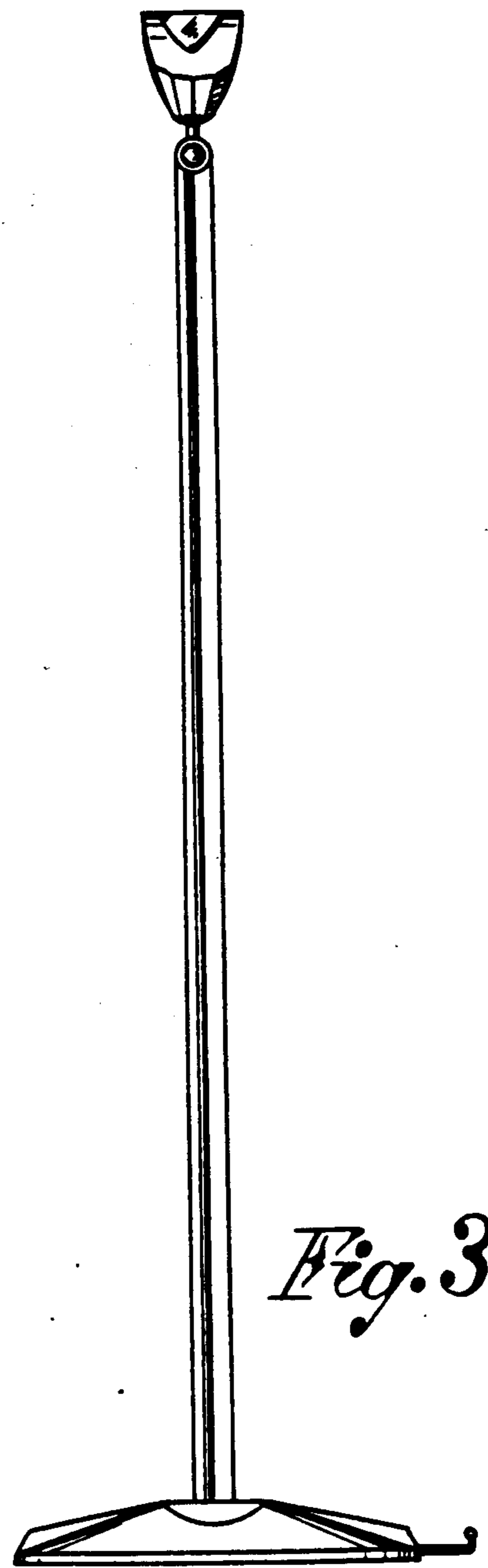




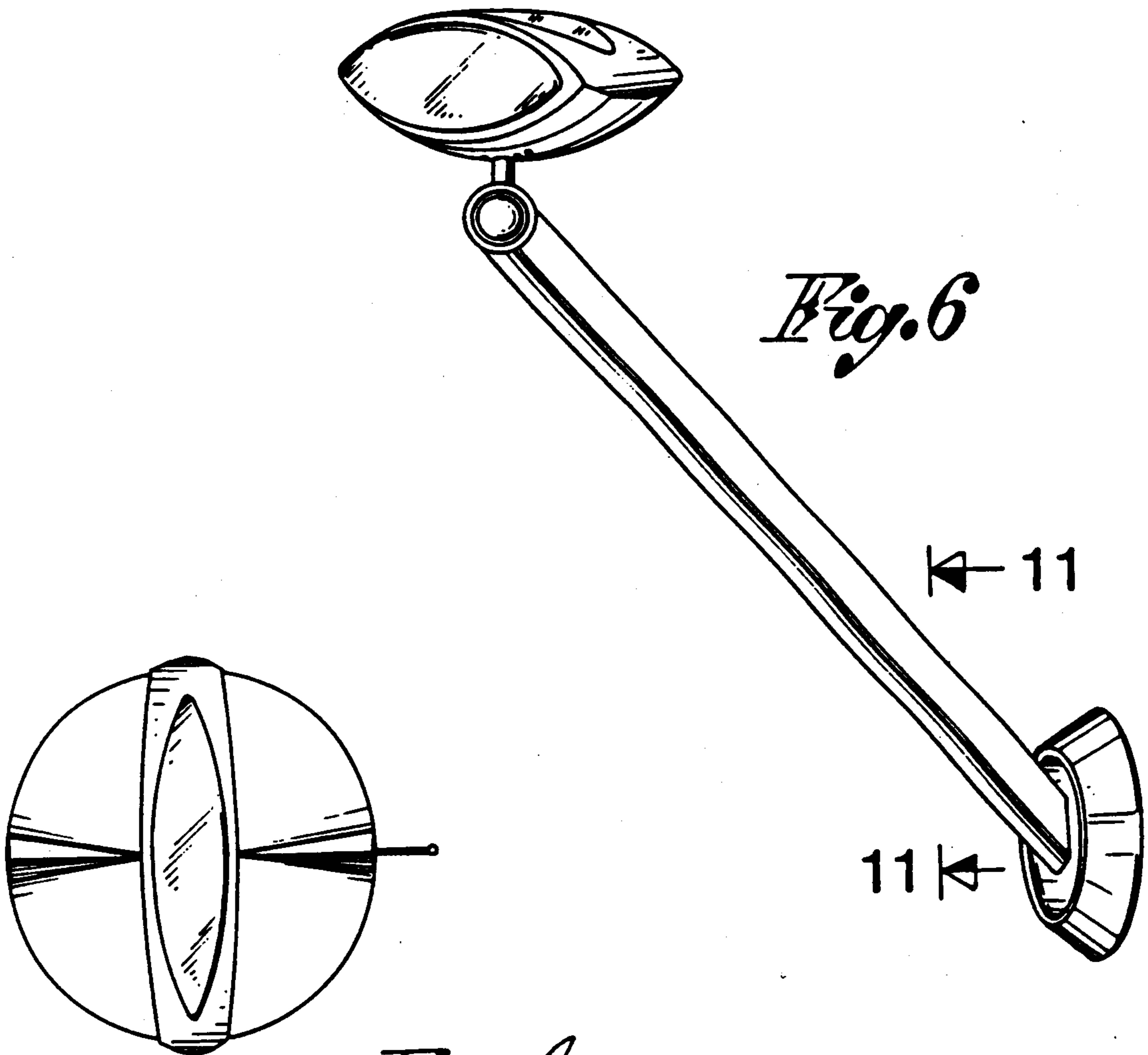
*Fig. 2*



*Fig. 1*



*Fig. 3*

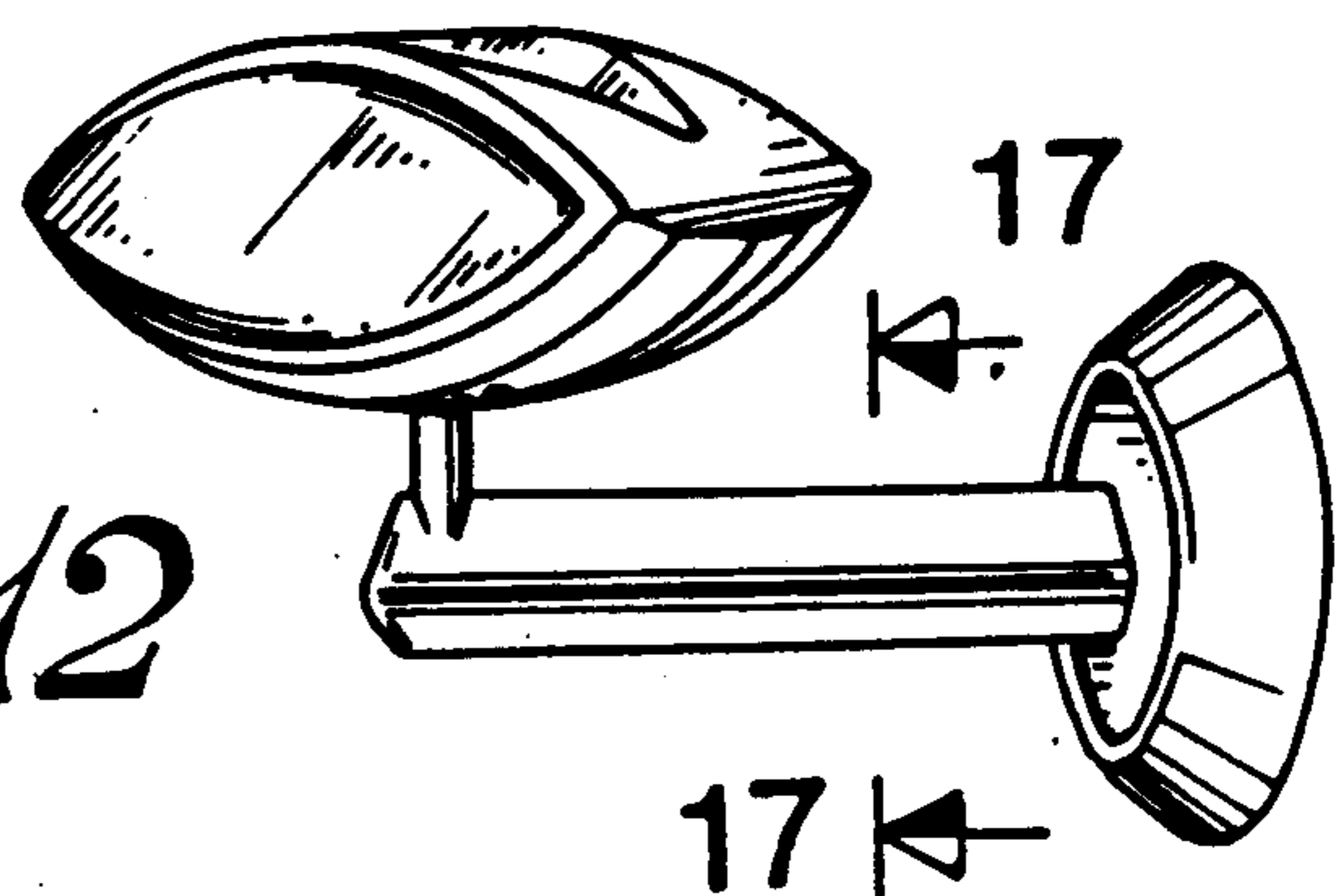


*Fig. 4*

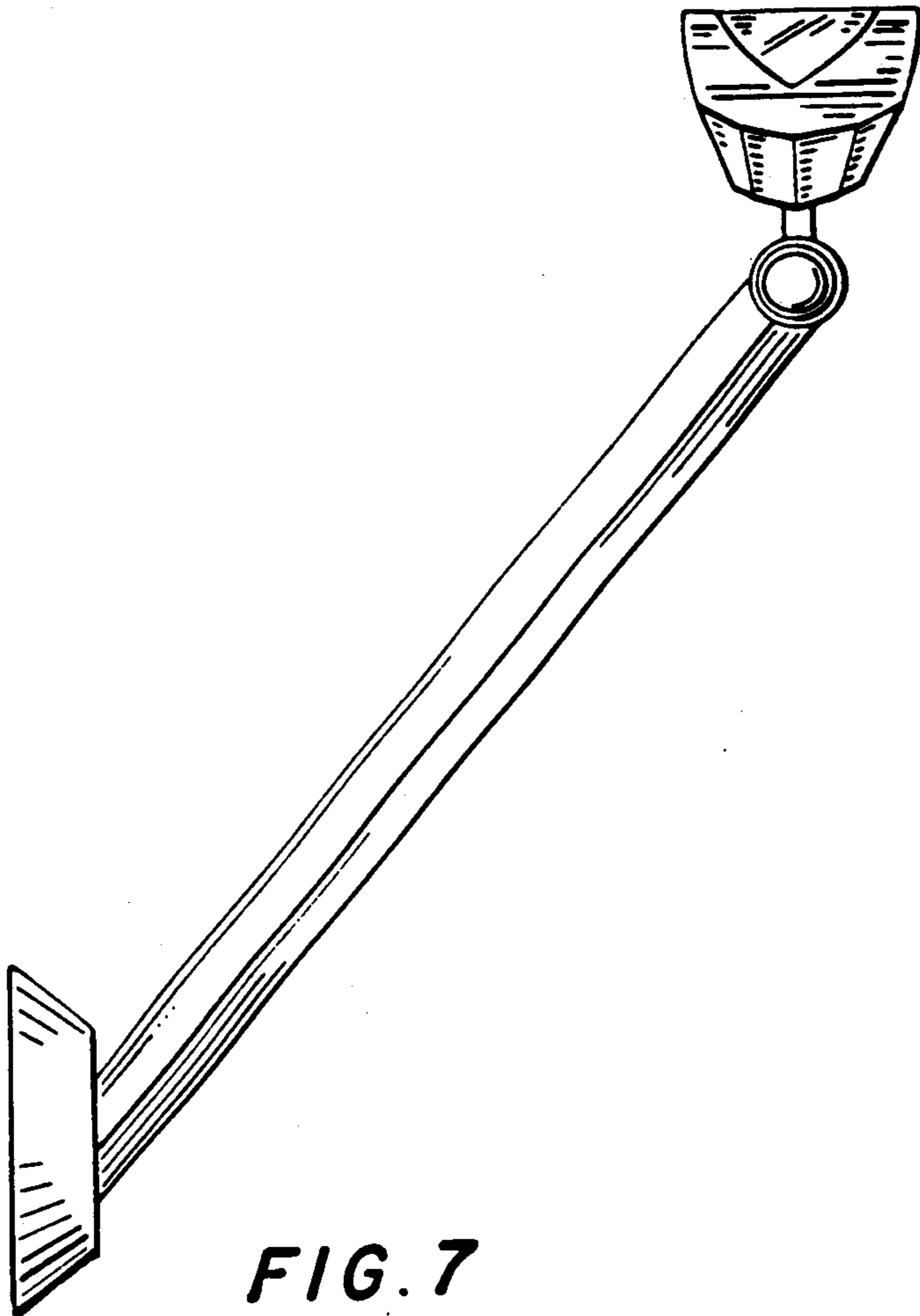


*Fig. 5*

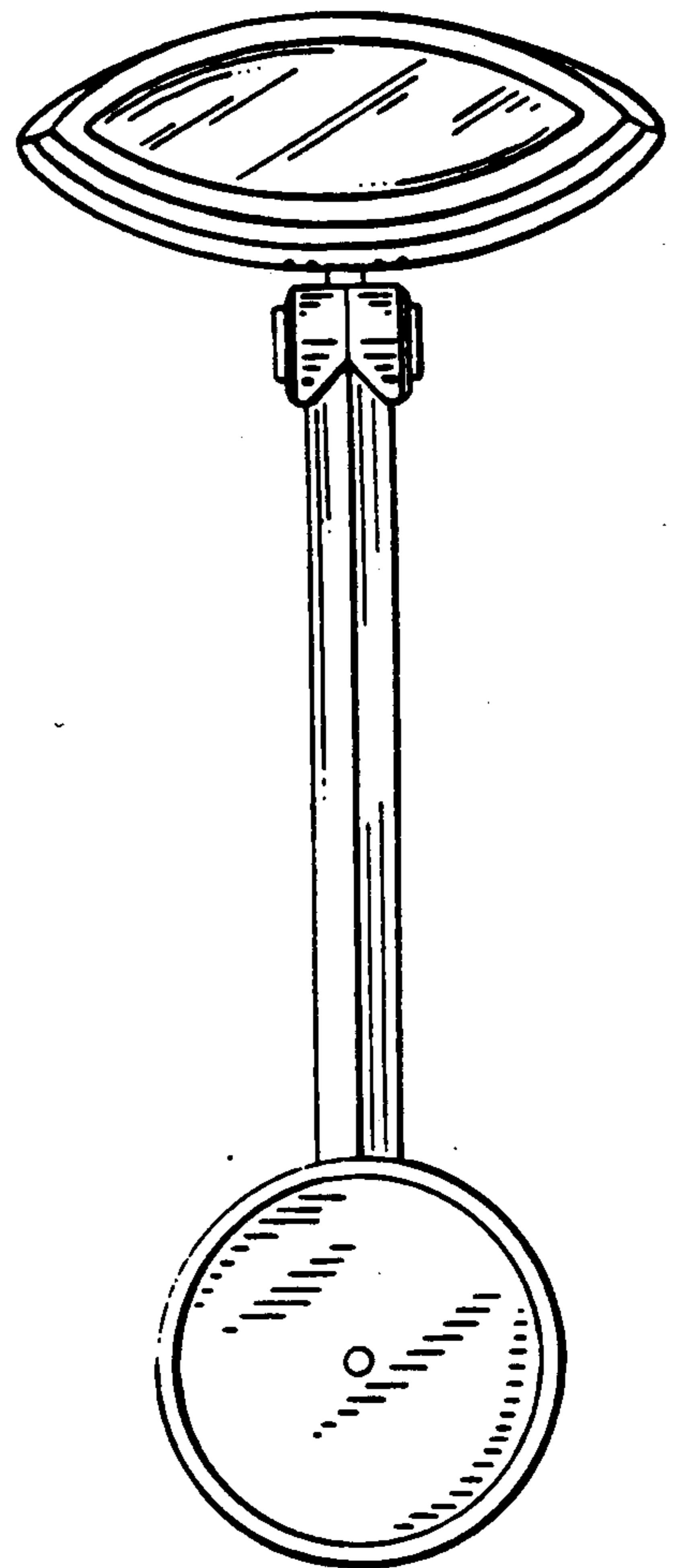
*Fig. 12*



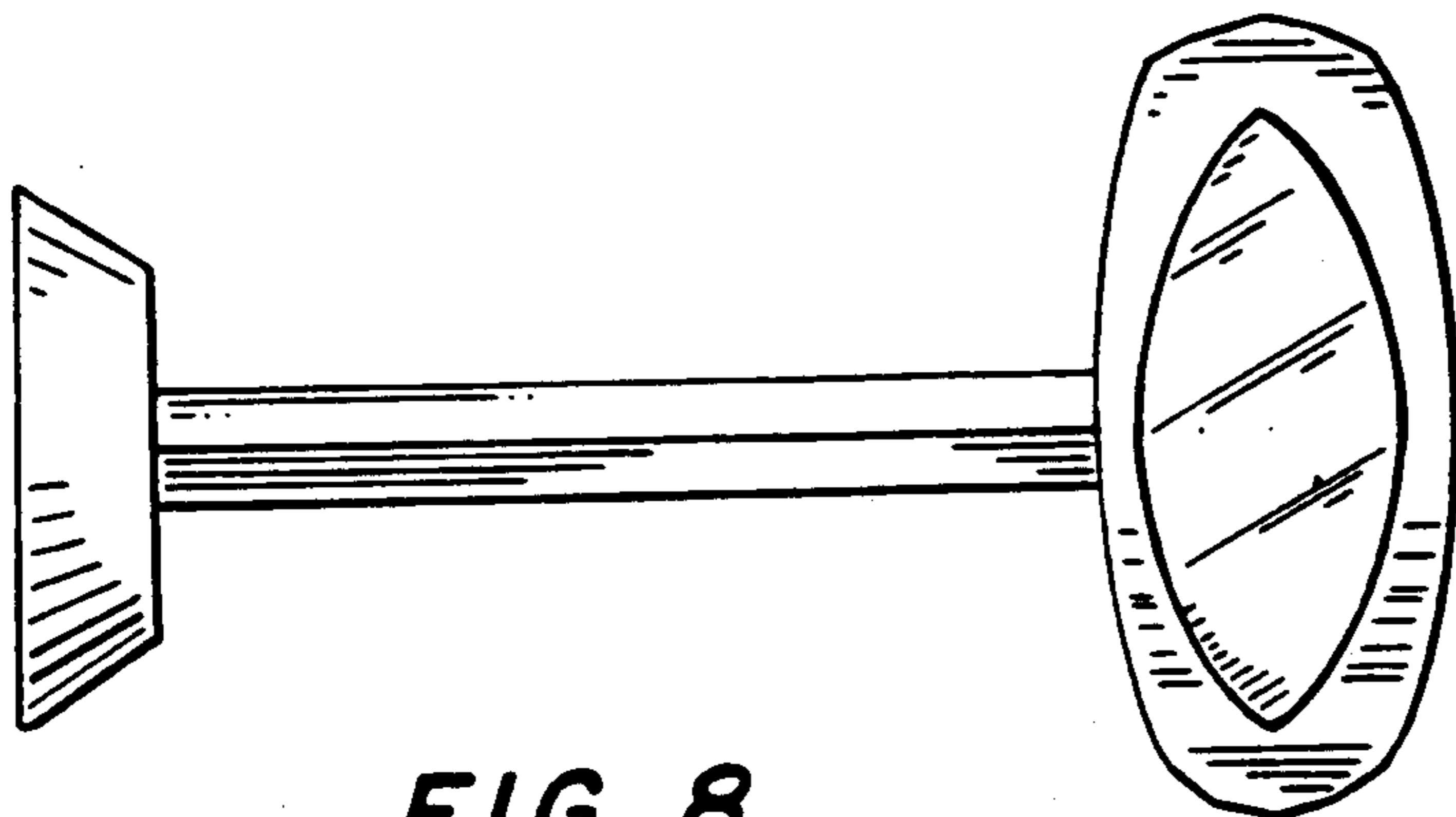
17



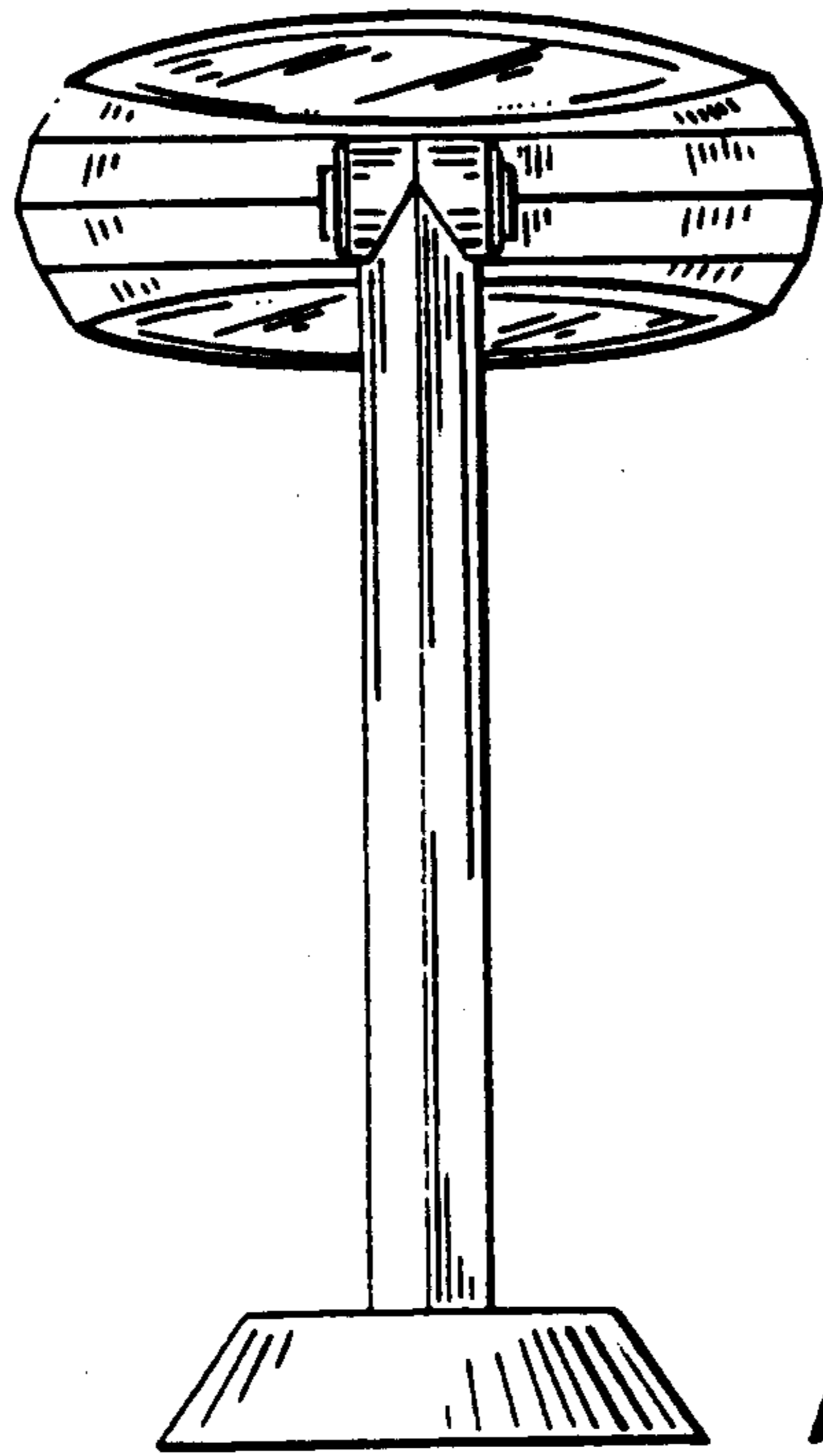
**FIG. 7**



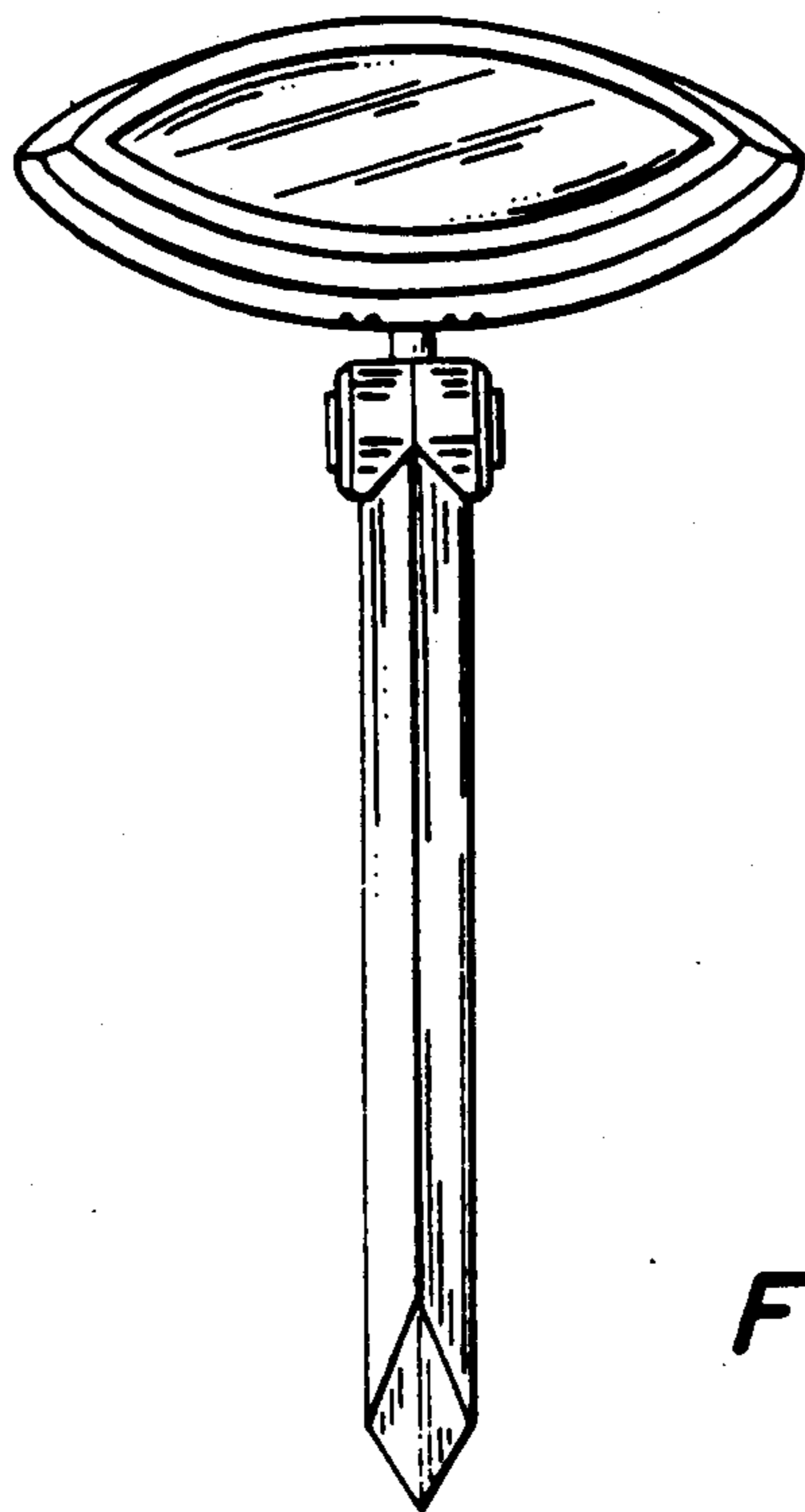
**FIG. 9**



**FIG. 8**

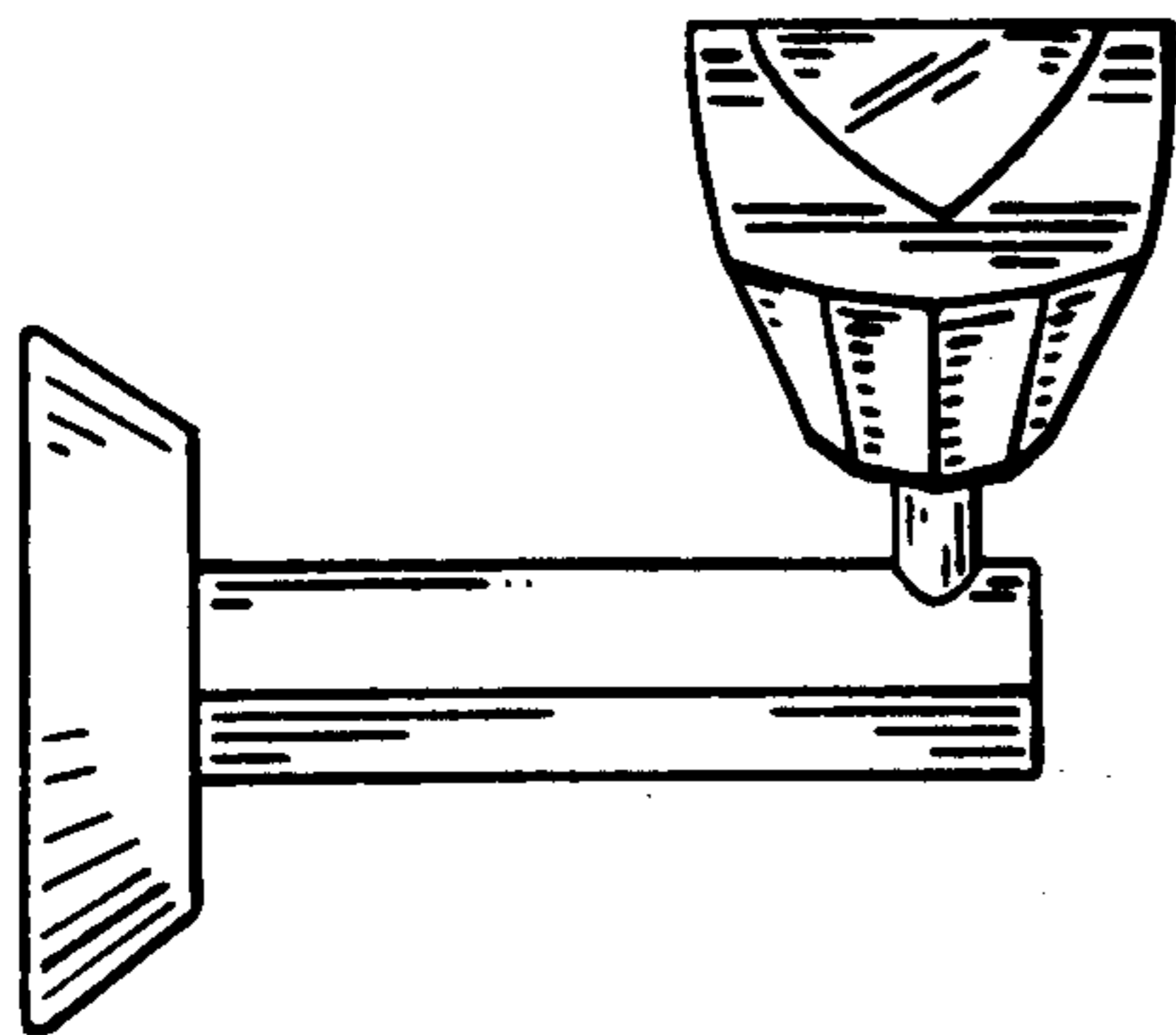


**FIG. 10**

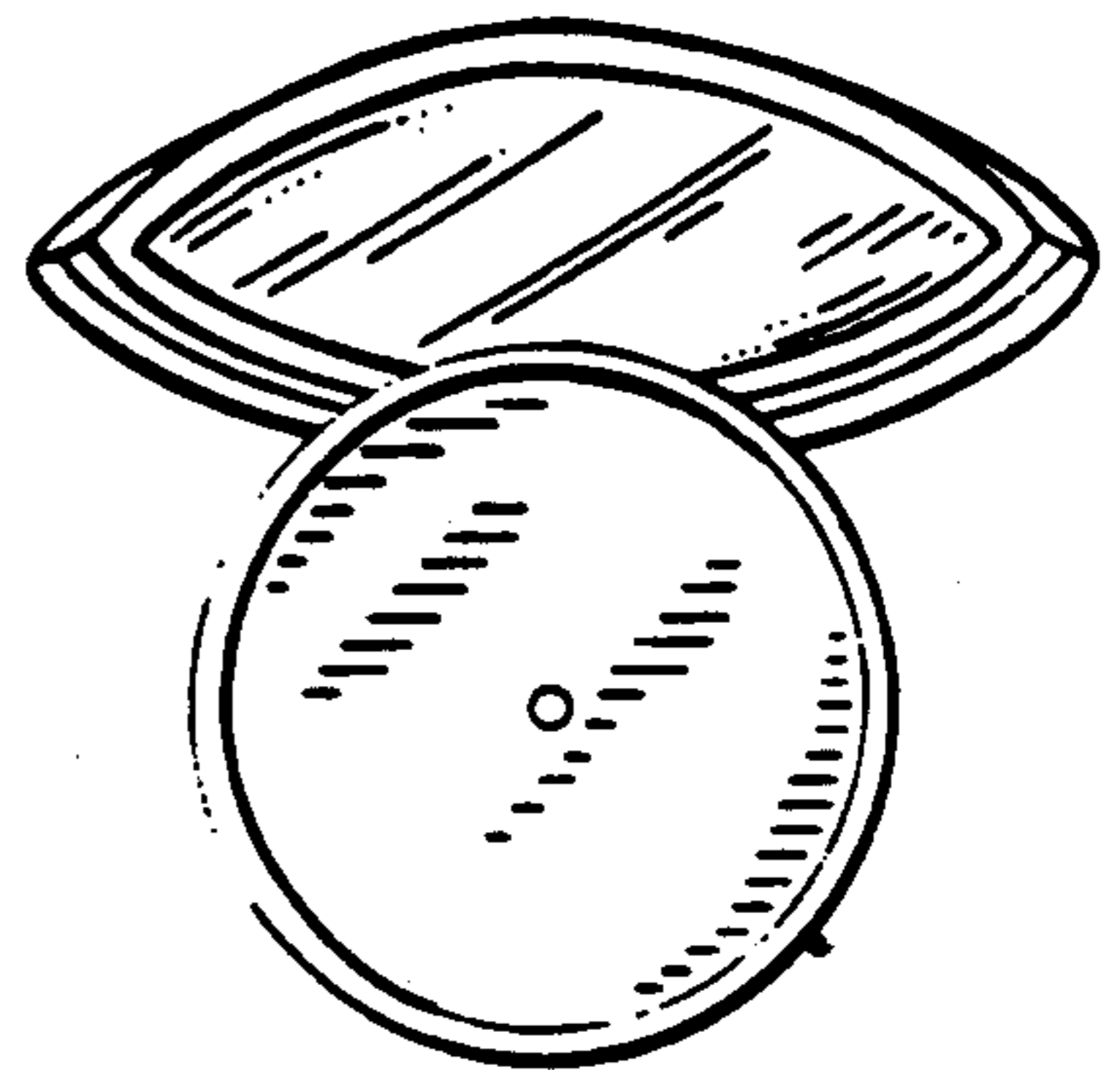


**FIG. 11**

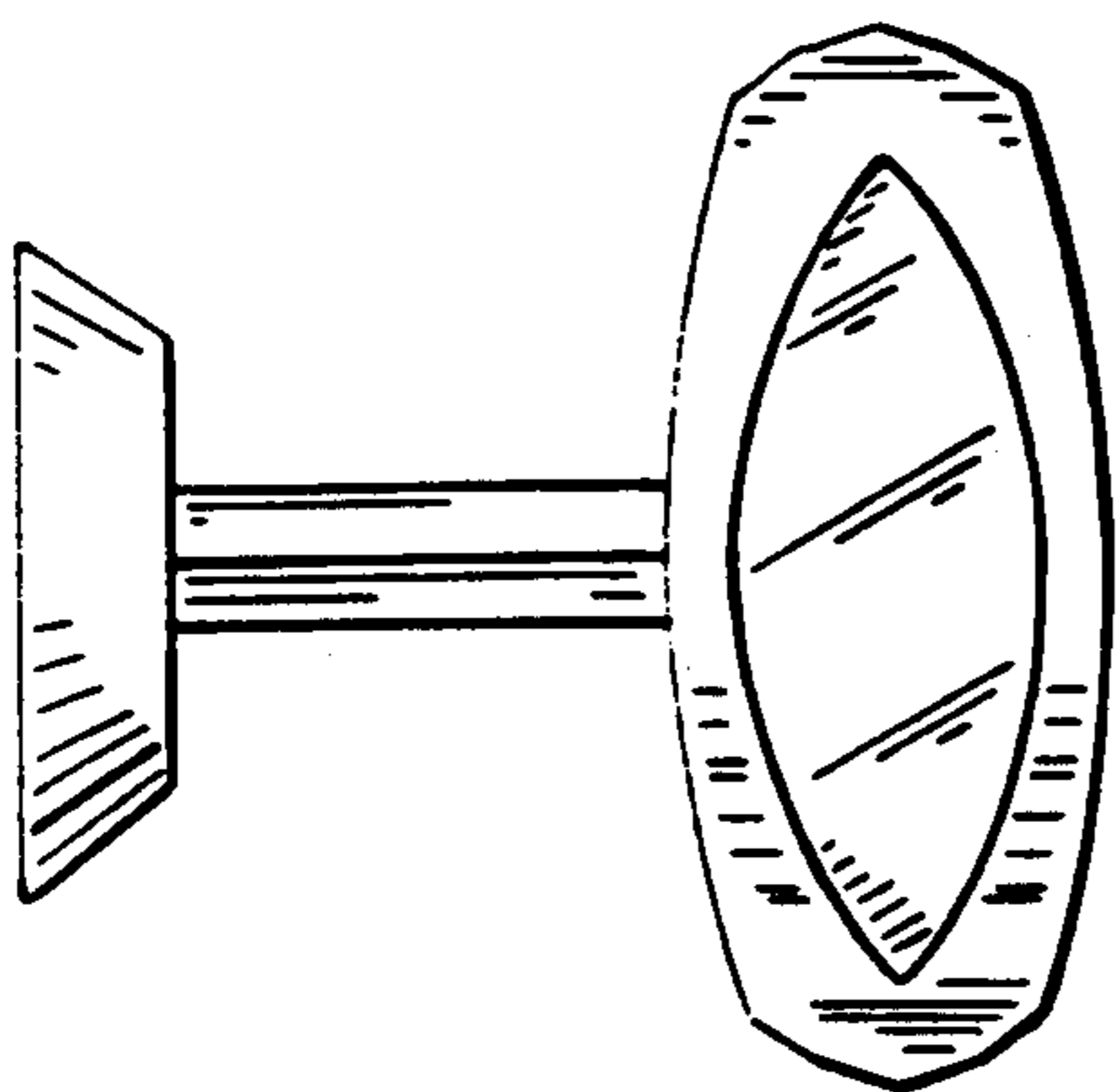




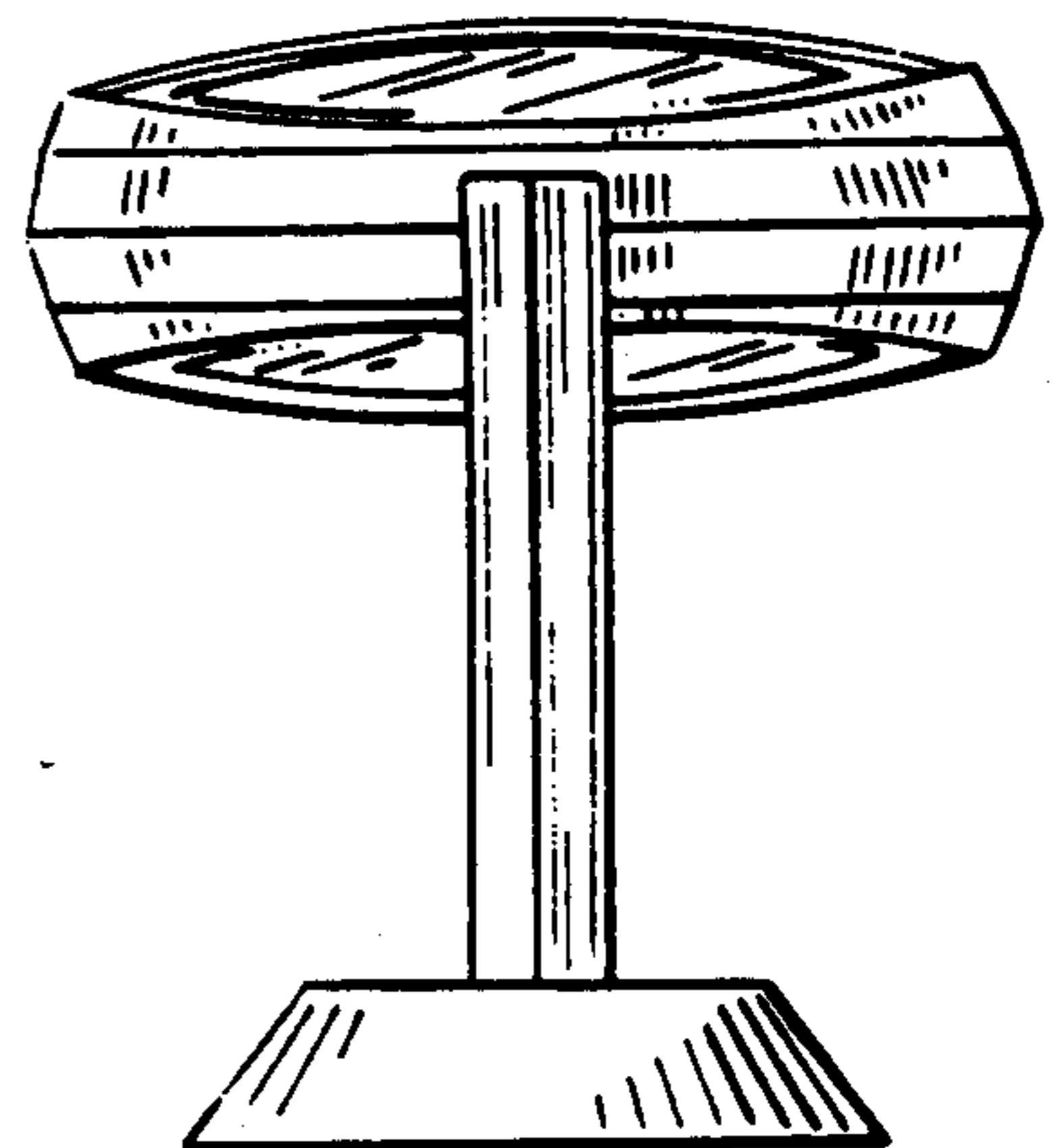
**FIG. 13**



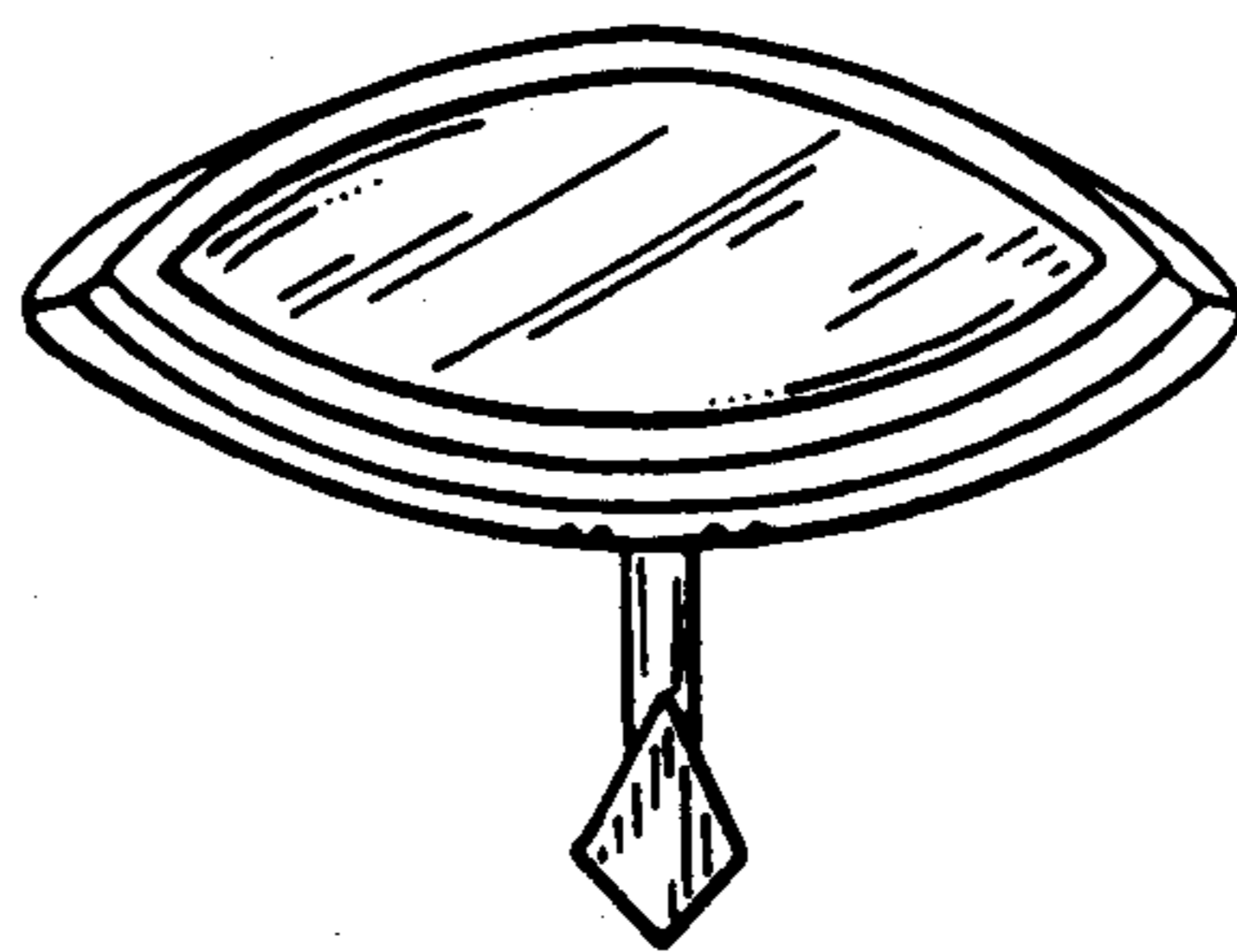
**FIG. 15**



**FIG. 14**



**FIG. 16**



**FIG. 17**