

[54] CONTROL UNIT FOR DENTAL ELECTRO SURGERY

[75] Inventor: Alan Miller, New City, N.Y.

[73] Assignee: Coltene/Whaledent, Inc., New York, N.Y.

[**] Term: 14 Years

[21] Appl. No.: 311,676

[22] Filed: Feb. 15, 1989

[52] U.S. Cl. D24/170; D24/144

[58] Field of Search D24/10-16; 433/75, 80, 81-90, 25, 141

[56] References Cited

U.S. PATENT DOCUMENTS

- D. 224,709 9/1972 Coolidge et al. D24/10
- D. 282,485 2/1986 Bühner D24/5
- 3,703,037 11/1972 Robinson D24/15 X

- 4,243,388 1/1981 Arai 433/75 X
- 4,770,632 9/1988 Ryder et al. 433/80 X

Primary Examiner—Susan J. Lucas
Assistant Examiner—M. H. Tung
Attorney, Agent, or Firm—Helfgott & Karas

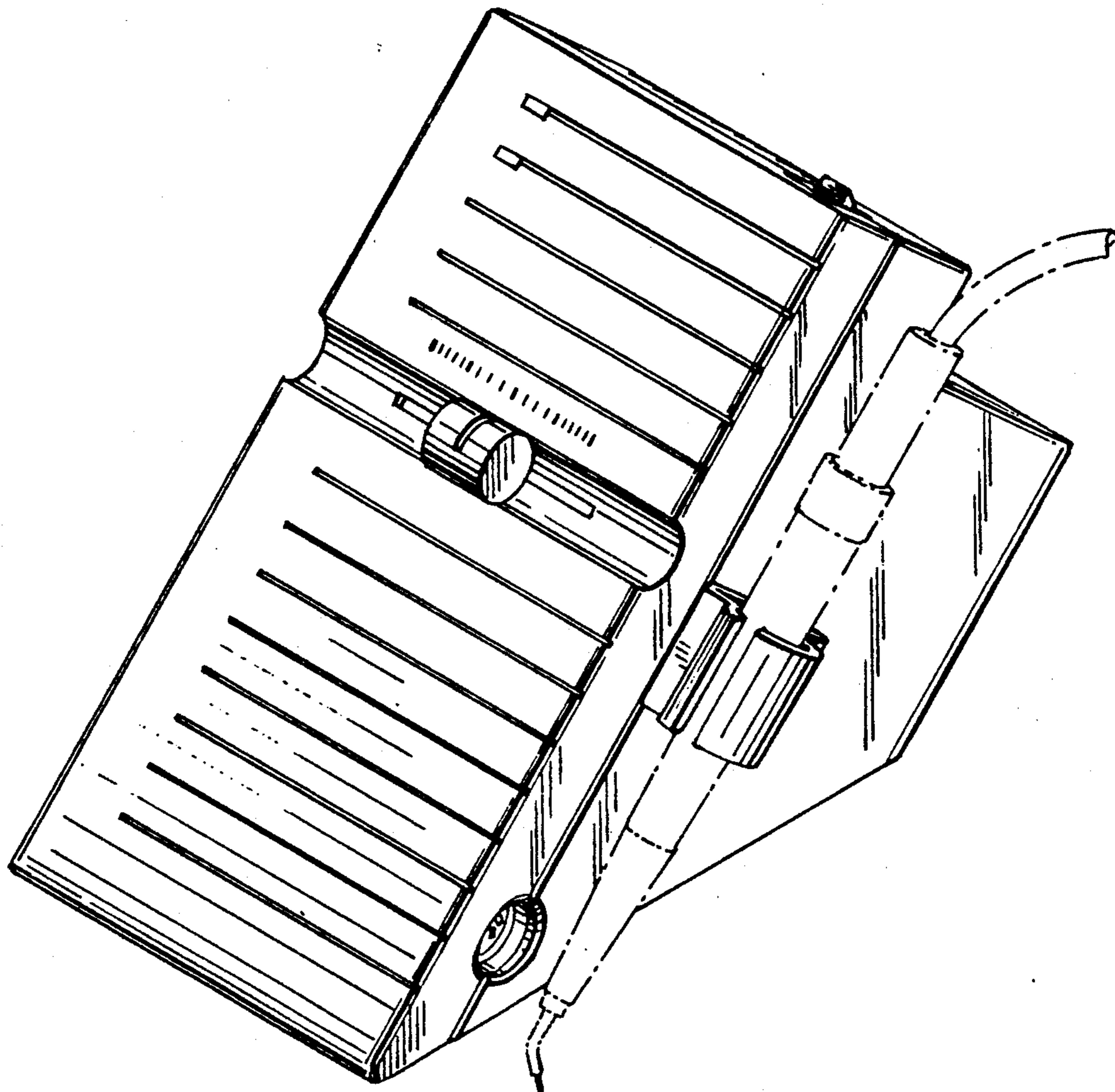
[57] CLAIM

The ornamental design for a control unit for dental electro surgery, as shown and described.

DESCRIPTION

FIG. 1 is a perspective view of a control unit for dental electro surgery showing my new design; FIG. 2 is a top plan view thereof; FIG. 3 is a front elevational view thereof; FIG. 4 is a right side elevational view thereof; FIG. 5 is a left side elevational view thereof; FIG. 6 is a rear elevational view thereof; FIG. 7 is a bottom plan view thereof.

The broken line drawing is for illustrative purposes only and forms no part of the claimed design.



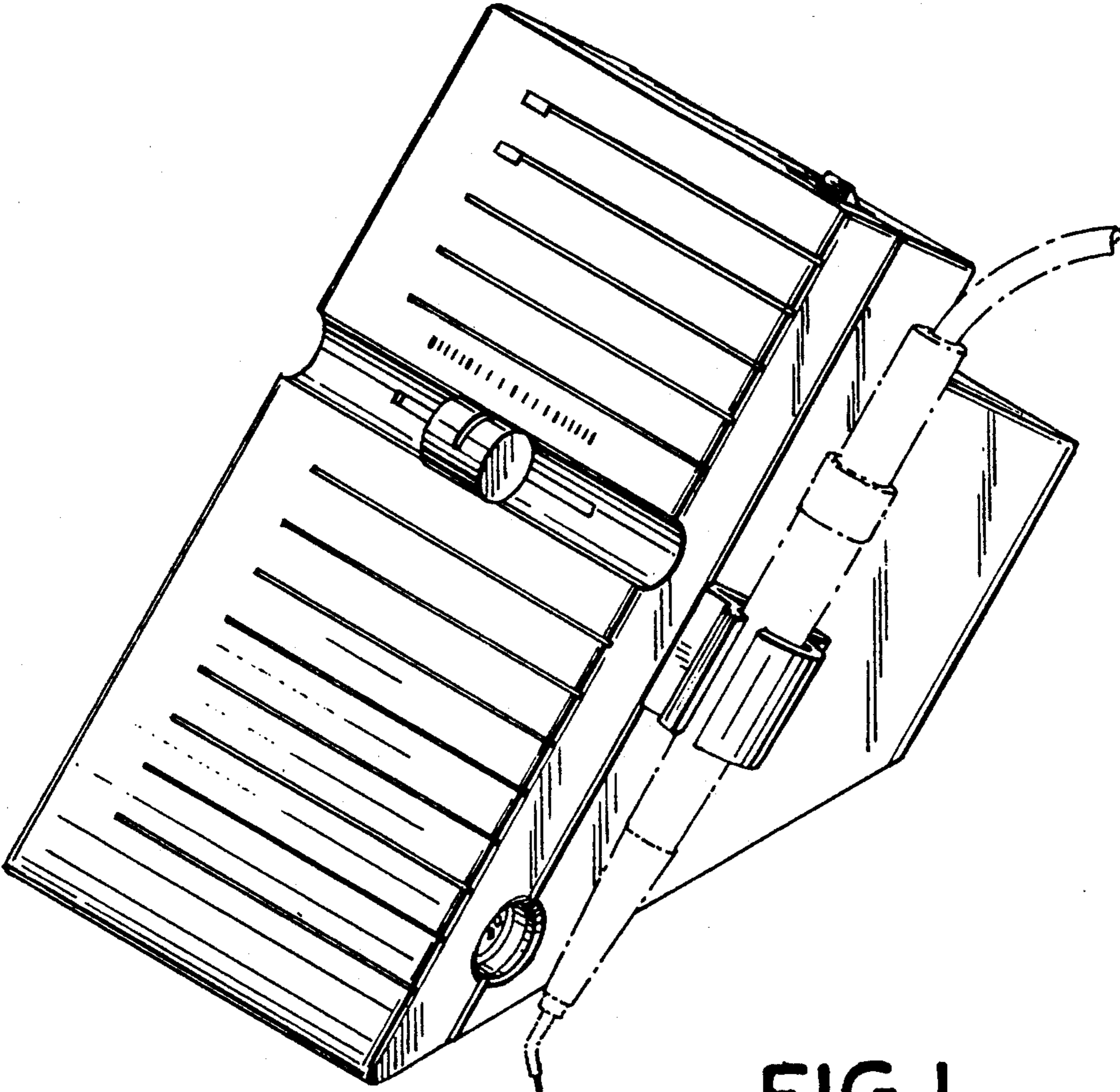


FIG. 1

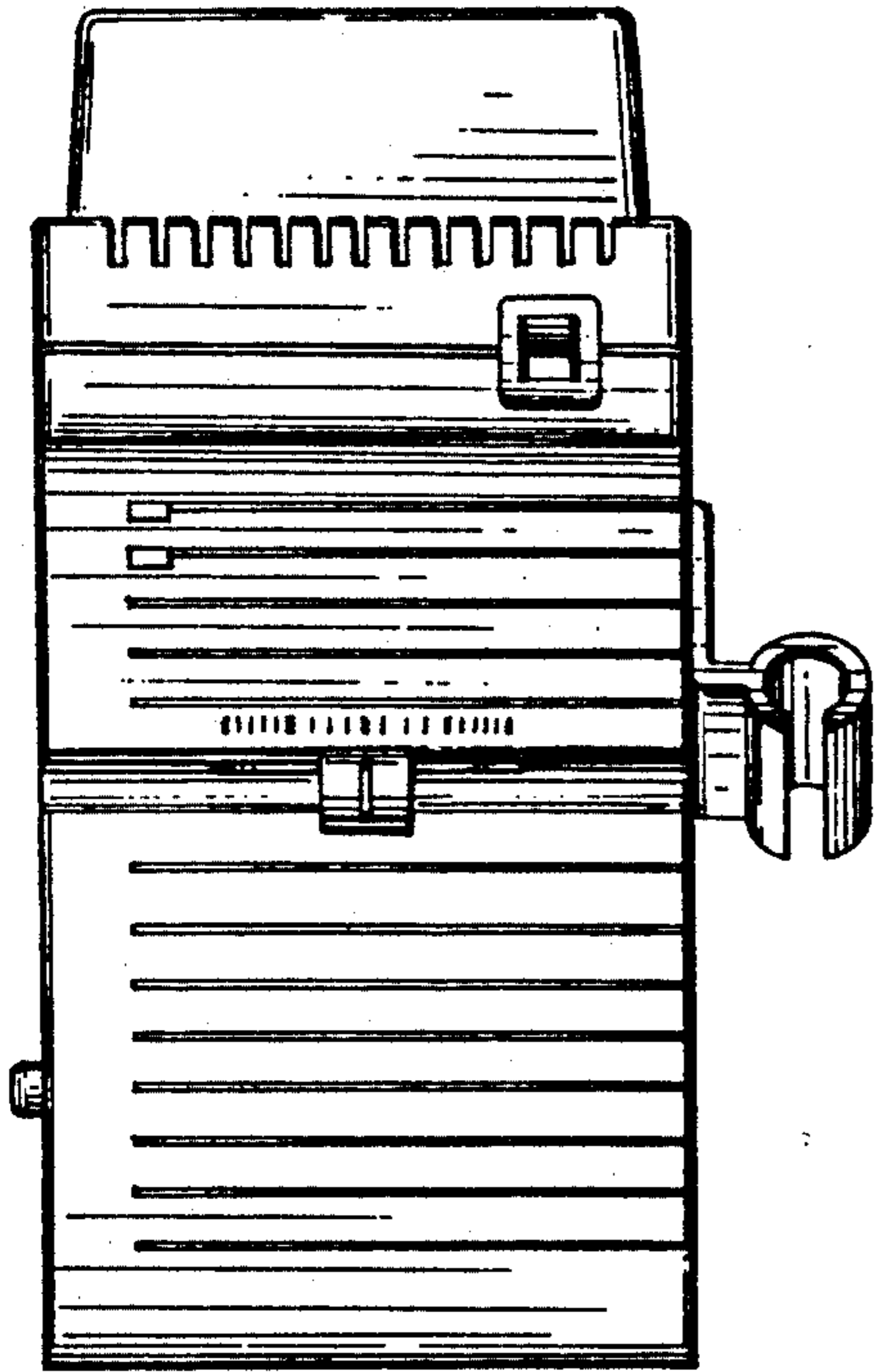


FIG. 2

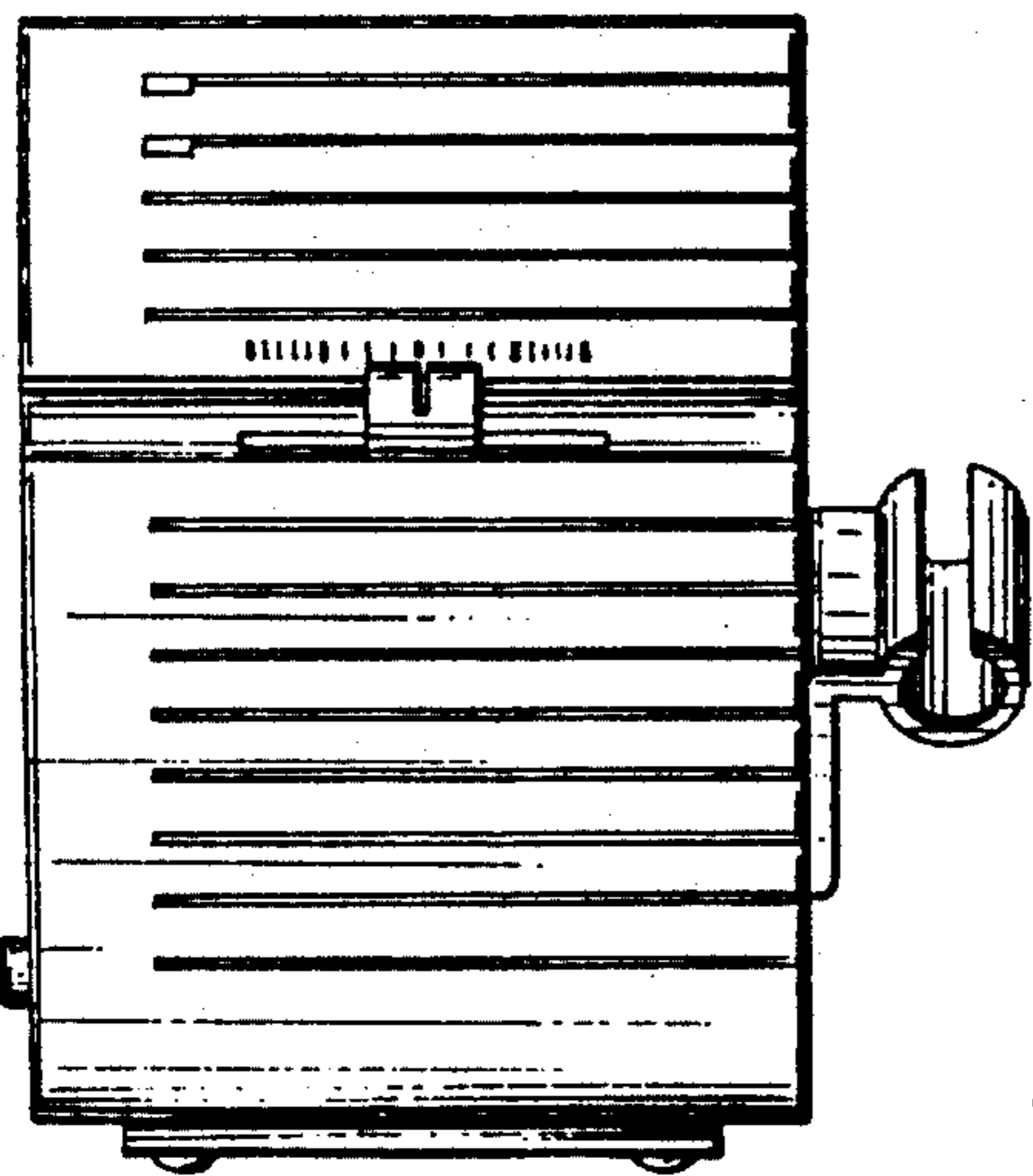


FIG. 3

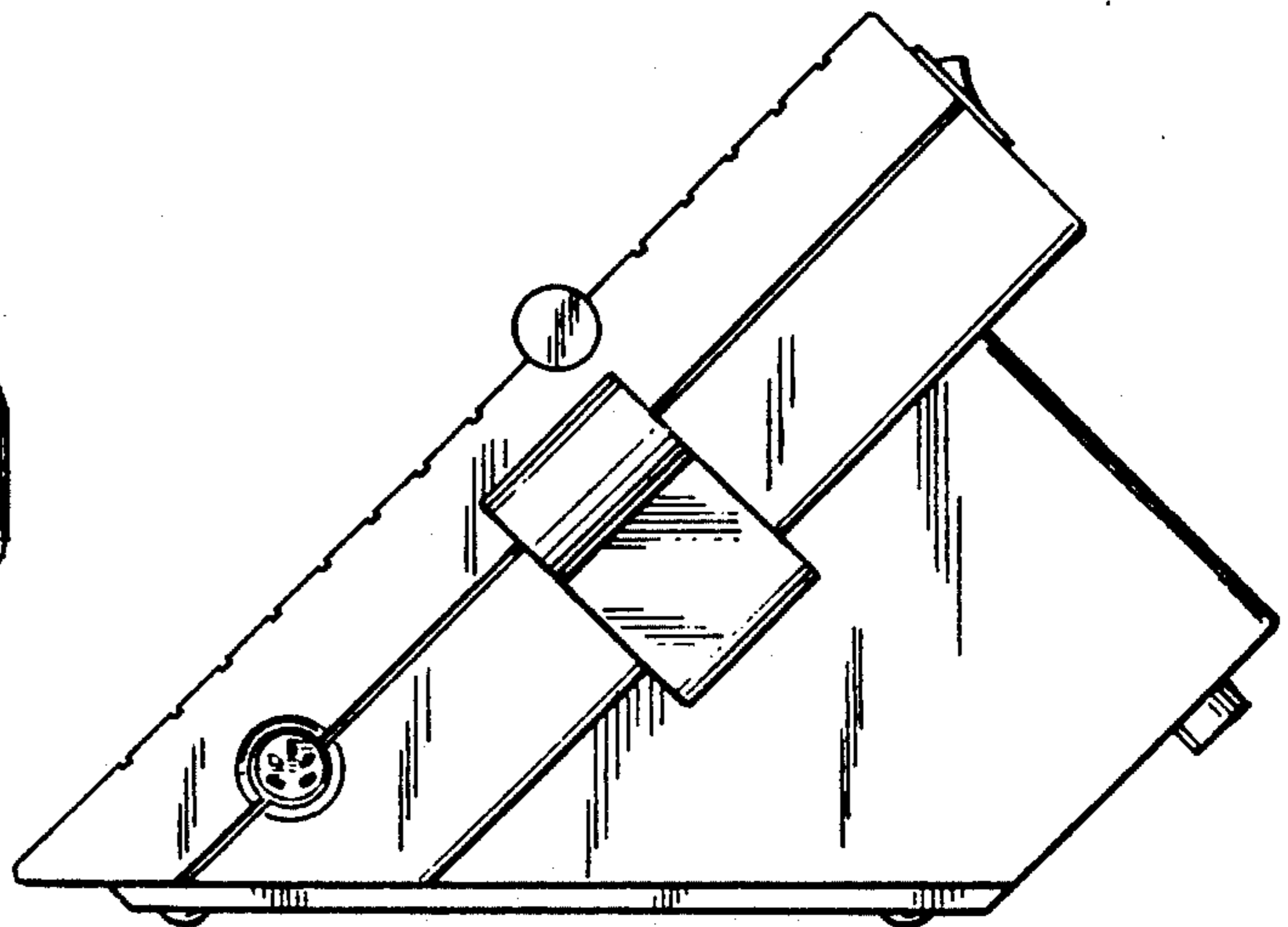


FIG. 4

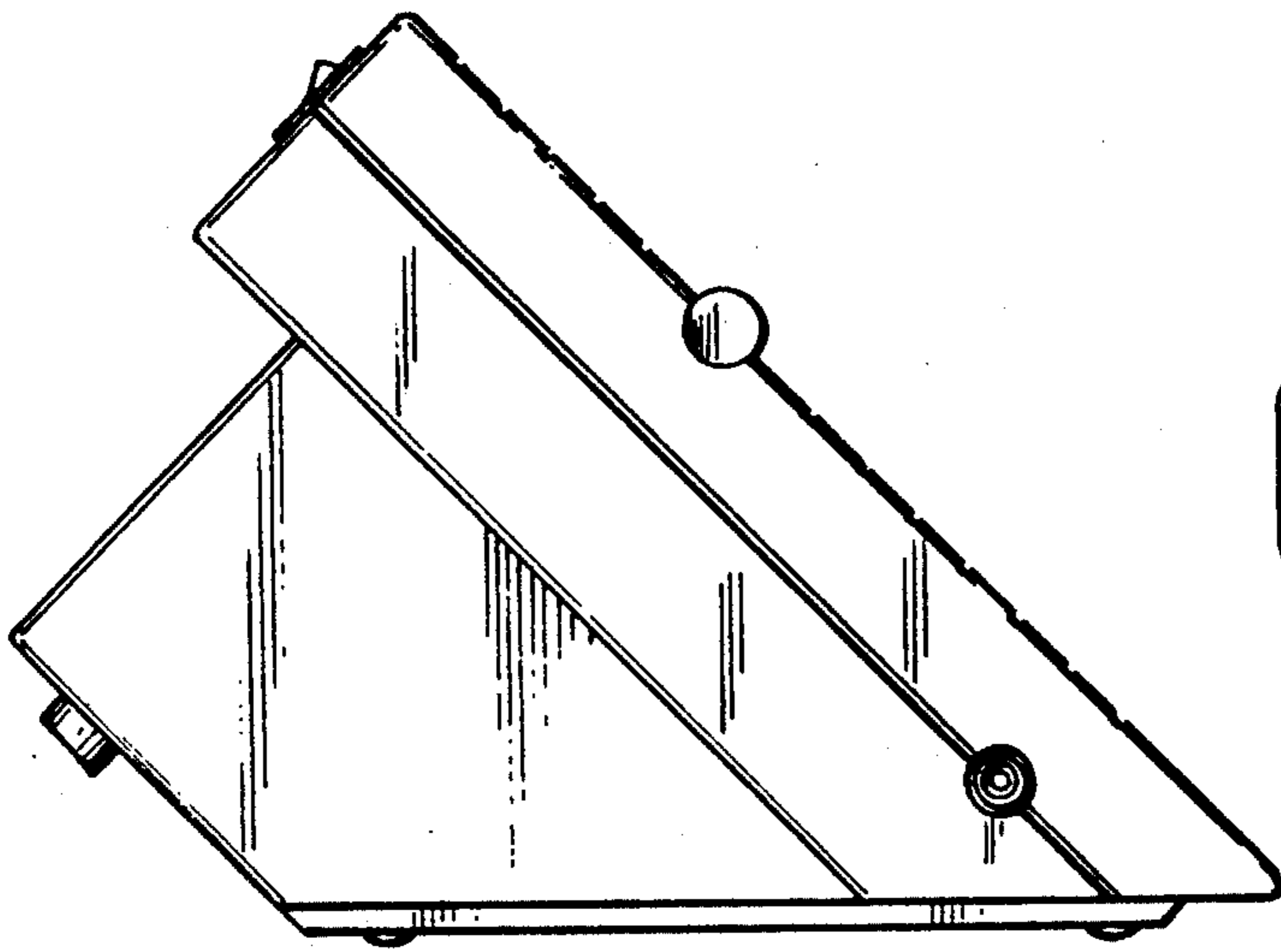


FIG. 5

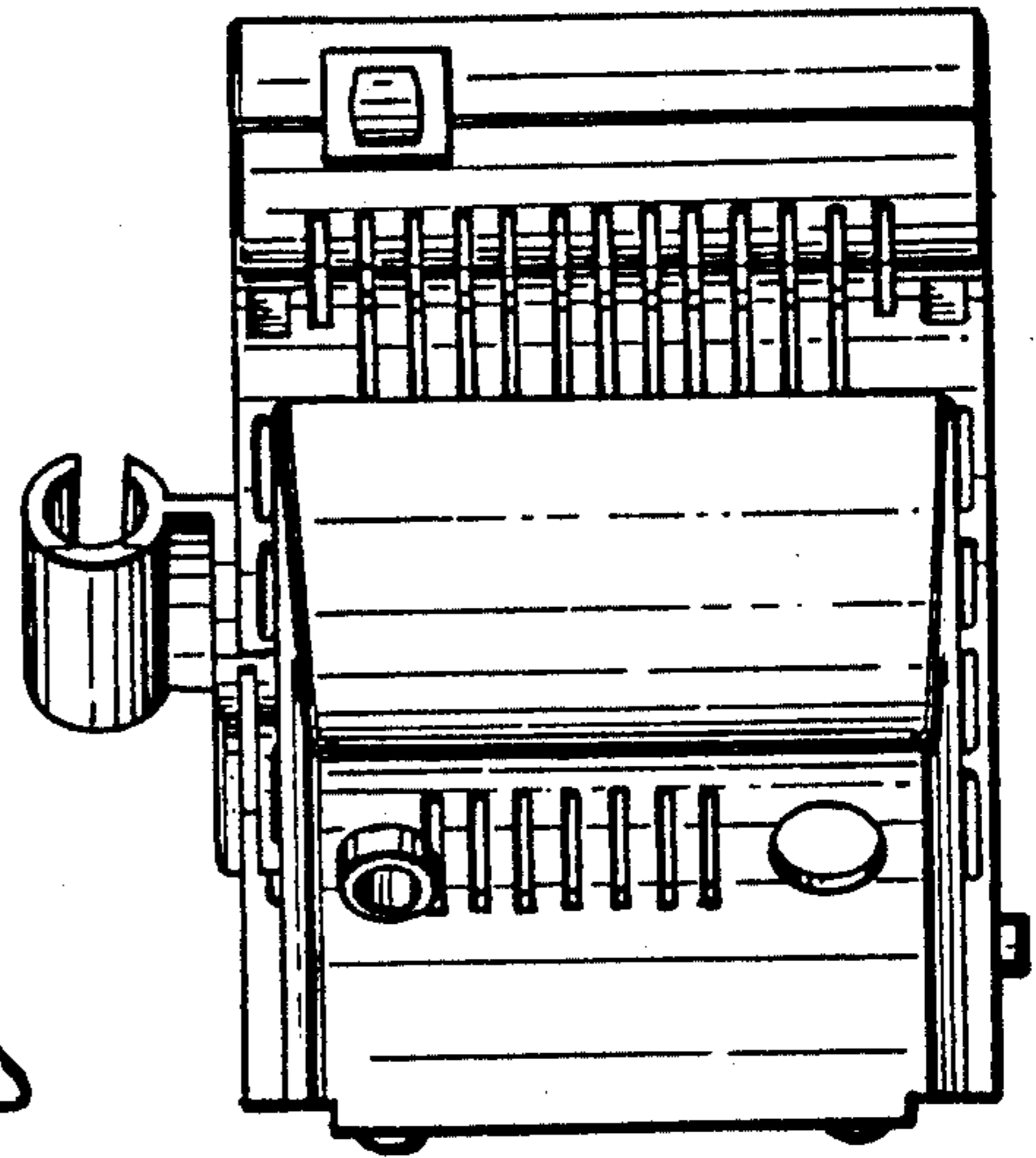


FIG. 6

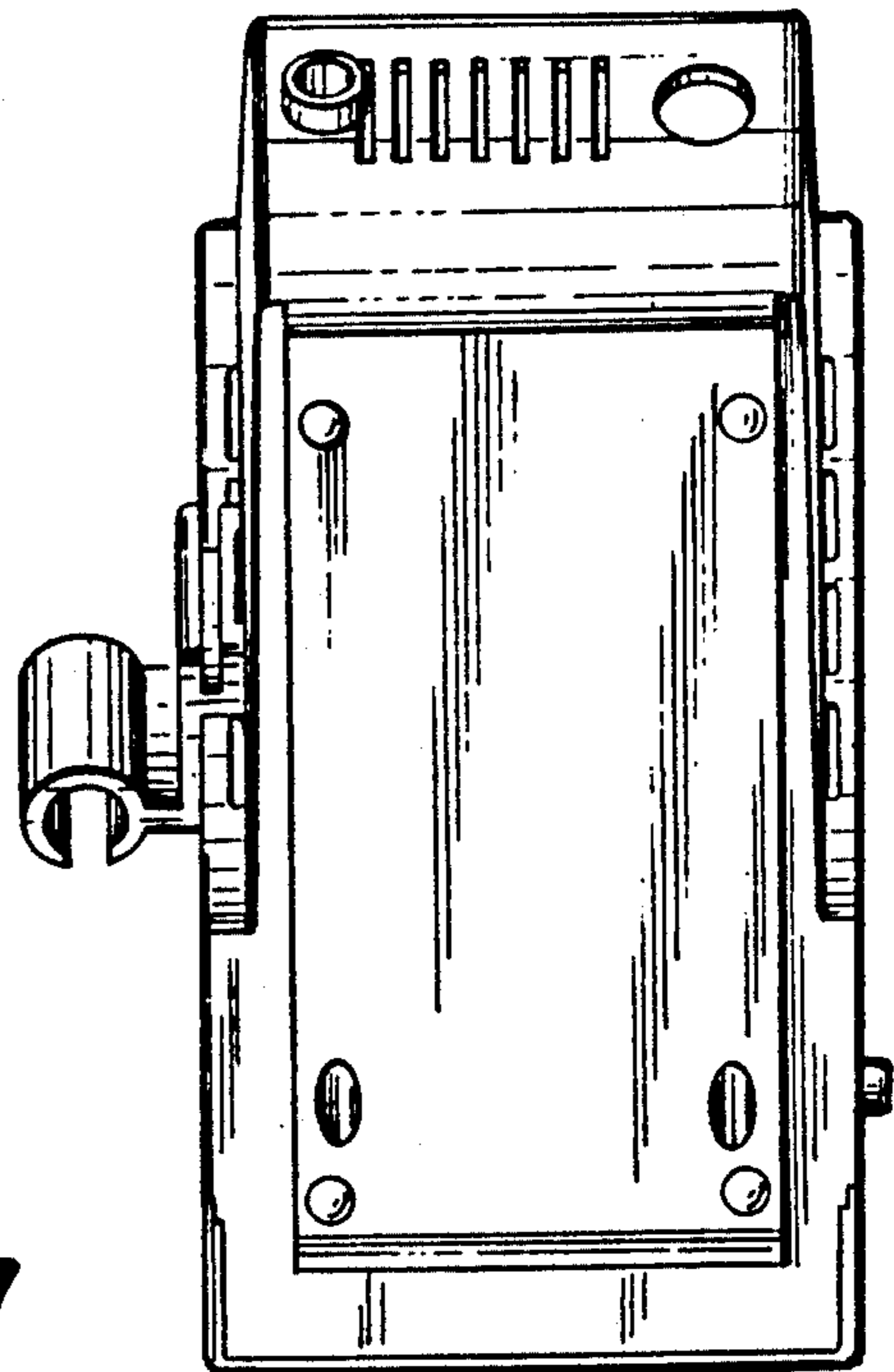


FIG. 7