

[54] FAN AND GRILL SUPPORT PANEL FOR A CONVERTIBLE FAN ASSEMBLY

[75] Inventor: David B. Chaney, Powell, Ohio

[73] Assignee: The W. B. Marvin Manufacturing Company, Urbana, Ohio

[*] Notice: The portion of the term of this patent subsequent to Jul. 23, 2005 has been disclaimed.

[**] Term: 14 Years

[21] Appl. No.: 390,667

[22] Filed: Aug. 7, 1989

[52] U.S. Cl. D23/411

[58] Field of Search D23/370, 382, 388, 411; 415/119, 211.2, 213.1; 416/247 R, 246, 5

[56] References Cited

U.S. PATENT DOCUMENTS

D. 164,139	7/1951	Sebastian	D23/382
D. 307,320	4/1990	Shin-Chin	D23/382
2,456,340	12/1948	Tideman	98/94.1
2,487,294	11/1949	Belter	98/94.1
2,644,390	7/1953	Delf et al.	98/94.1
2,691,336	10/1954	Nash	98/94.1
2,804,817	9/1957	Delf et al.	98/94.1
2,805,820	9/1957	Evarts	417/238
2,857,095	10/1958	Grau	416/246
2,961,152	11/1960	Douglas et al.	417/360
4,341,151	7/1982	Sakamoto	98/94.1
4,350,472	9/1982	Morimoto	415/125
4,425,840	1/1984	Masao	98/40.2
4,521,153	6/1985	Morimoto et al.	415/146
4,838,151	6/1989	Shin-Chin	98/94.1

4,872,399 10/1989 Chaney 98/94.1

OTHER PUBLICATIONS

Lakewood Fan Cat., p. 9, High-Velocity Reversible Window Fan.

Lasko copy of advertisement—these fans were on sale prior to applicant's invention.

Copy of a photograph of a Holmes Air fan known by applicant before applicant's invention, published prior to 8/7/89.

Primary Examiner—James M. Gandy
Assistant Examiner—Lisa Lichtenstein
Attorney, Agent, or Firm—Roger S. Dybvig

[57] CLAIM

The ornamental design for a fan and grill support panel for a convertible fan assembly, as shown and described.

DESCRIPTION

FIG. 1 is a front, top and left side perspective view of a fan and grill support panel for a convertible fan assembly, set up as it would be to function as a window fan, showing my new design;

FIG. 2 is a front elevation view thereof;

FIG. 3 is a right side elevation view thereof;

FIG. 4 is a rear elevation view thereof;

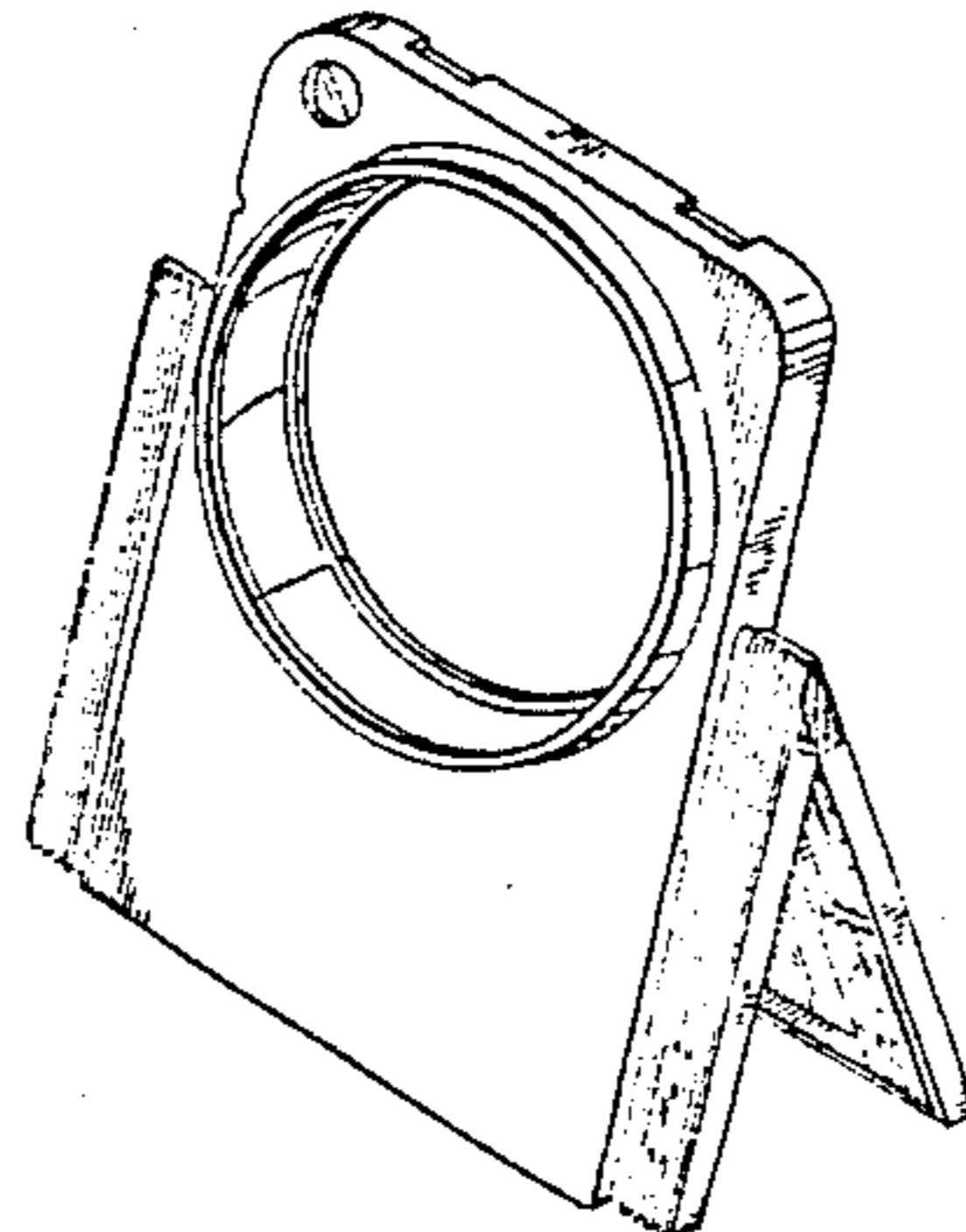
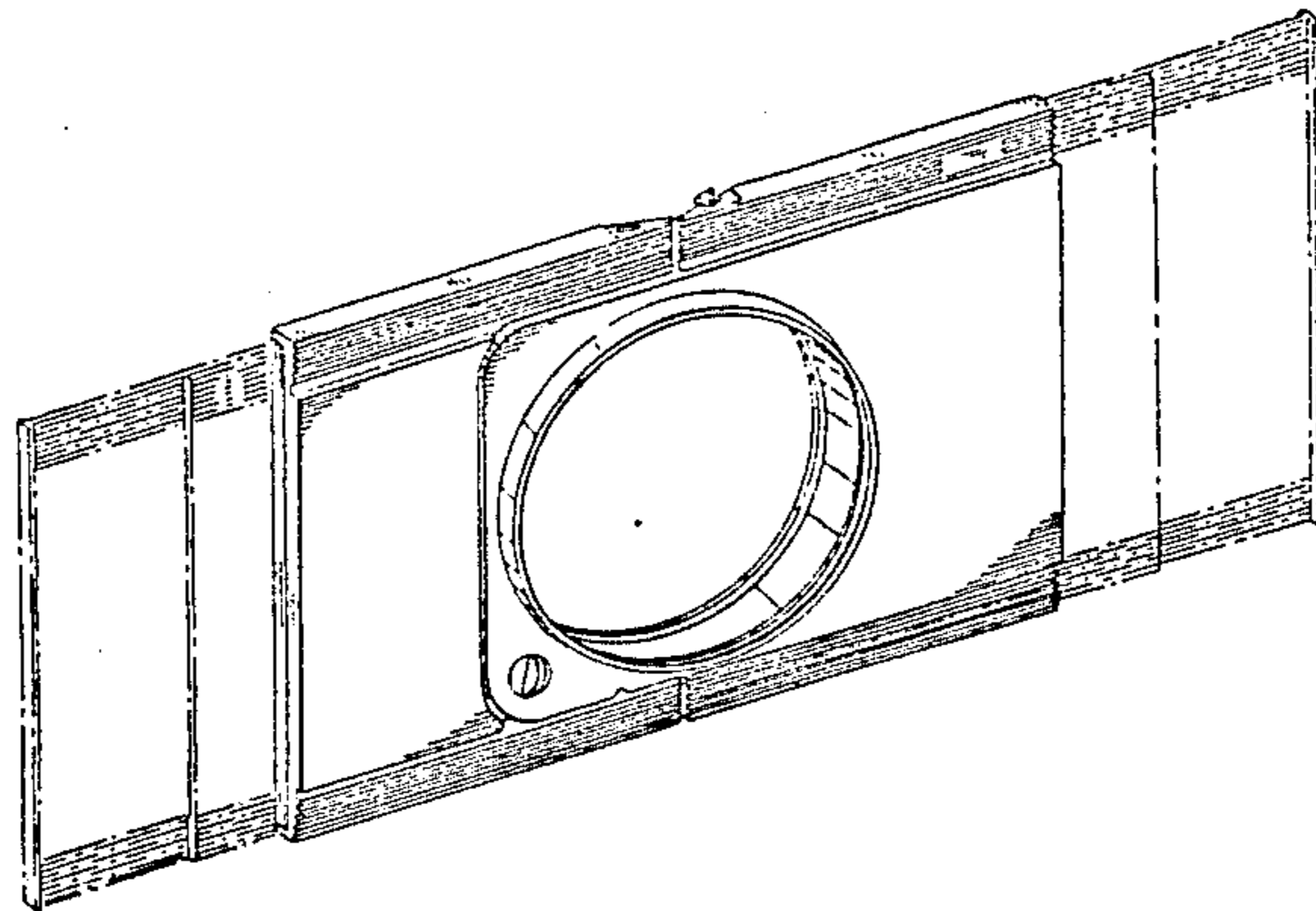
FIG. 5 is a left side elevation view thereof;

FIG. 6 is a top plan view thereof;

FIG. 7 is a bottom plan view thereof;

FIG. 8 is a front perspective view thereof shown set up as it would be to function as a floor or table fan; and FIG. 9 is a rear perspective view of FIG. 8.

The broken-line showing of sliding panels in FIG. 1 and of an exhaust grill in FIGS. 2 and 4 is for illustrative purposes only and forms no part of the claimed design.



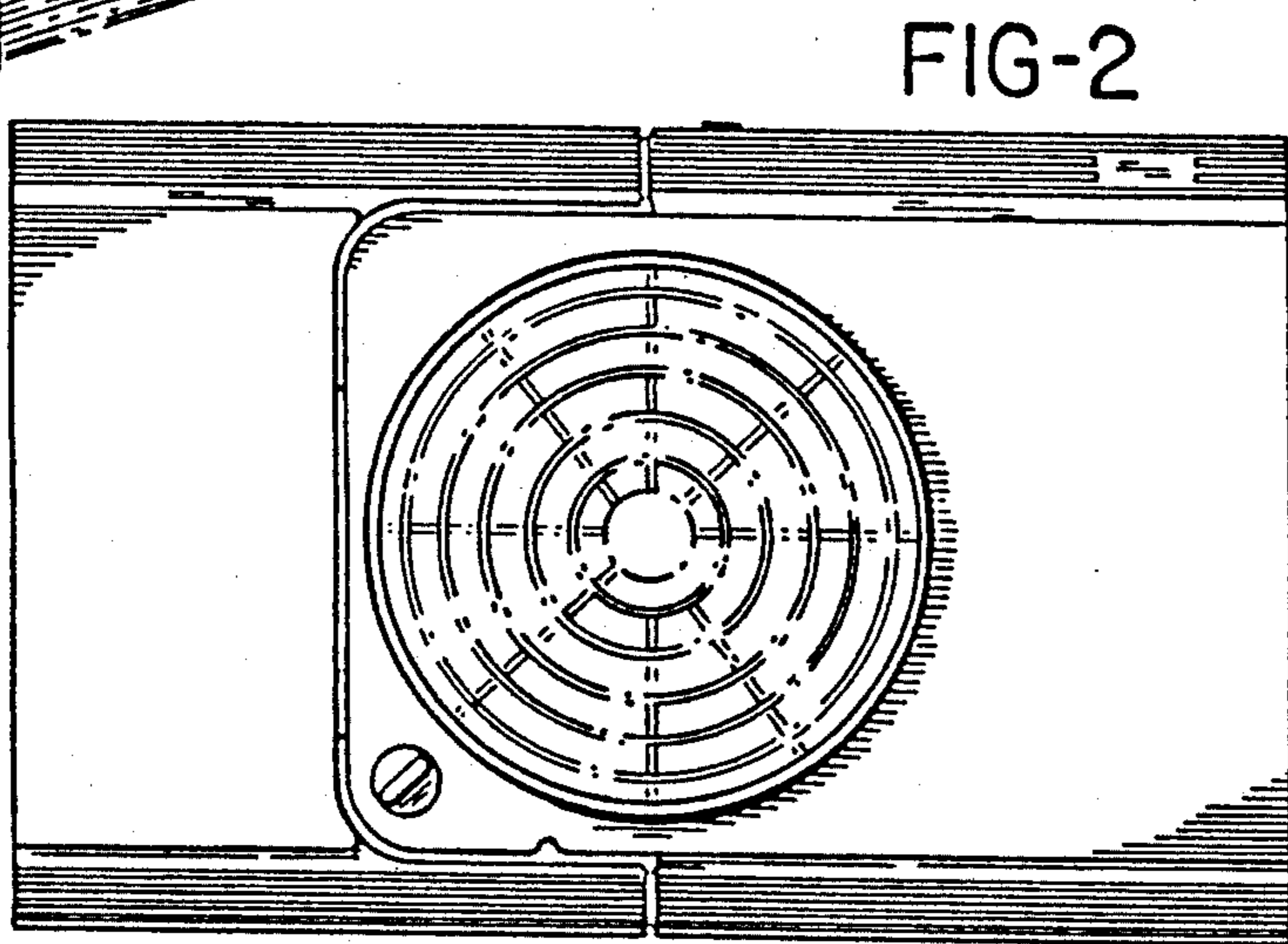
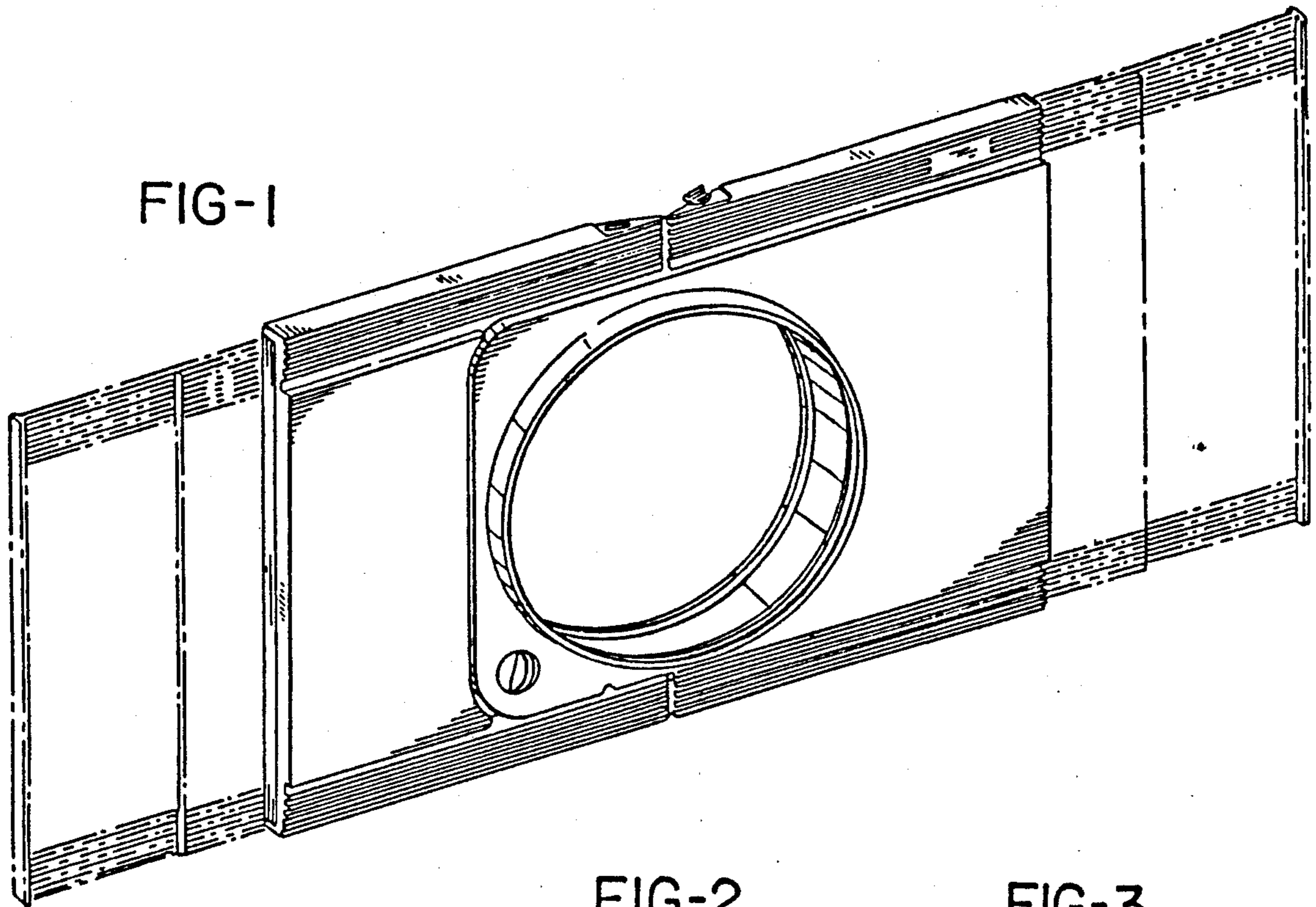


FIG-3

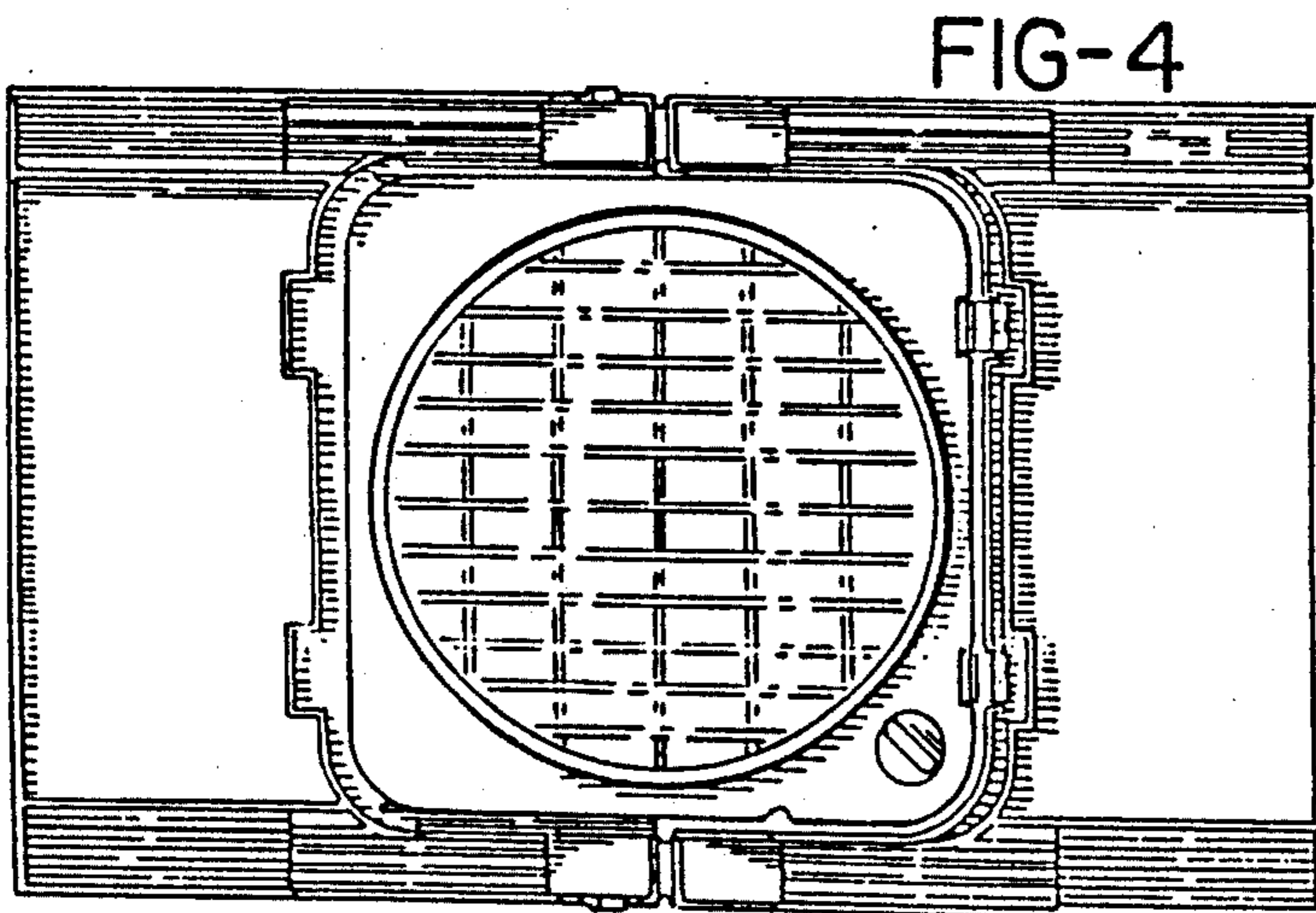
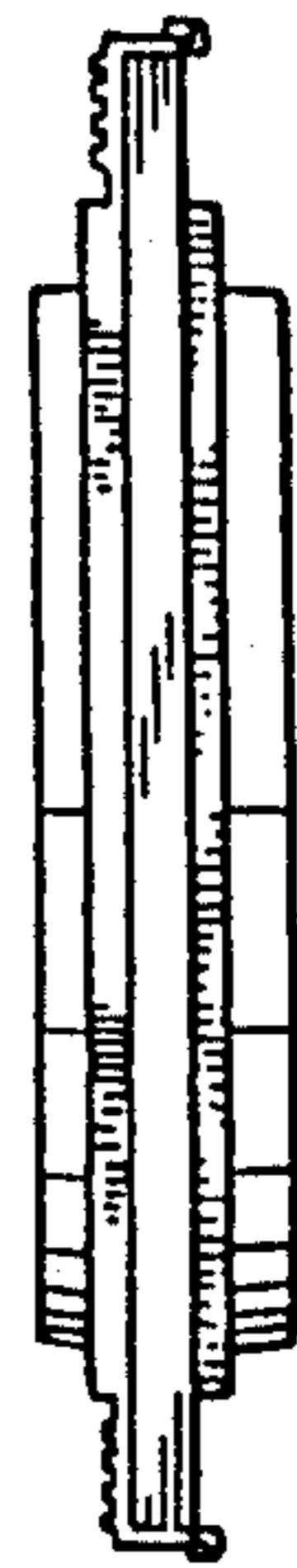


FIG-5



FIG-6

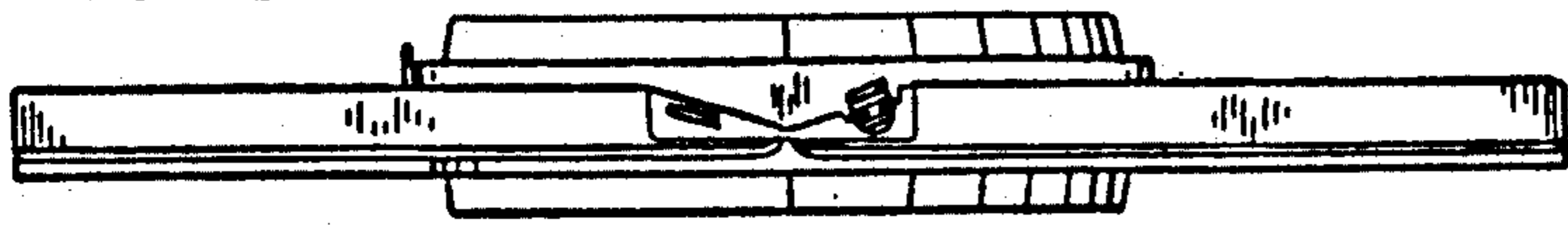


FIG-7

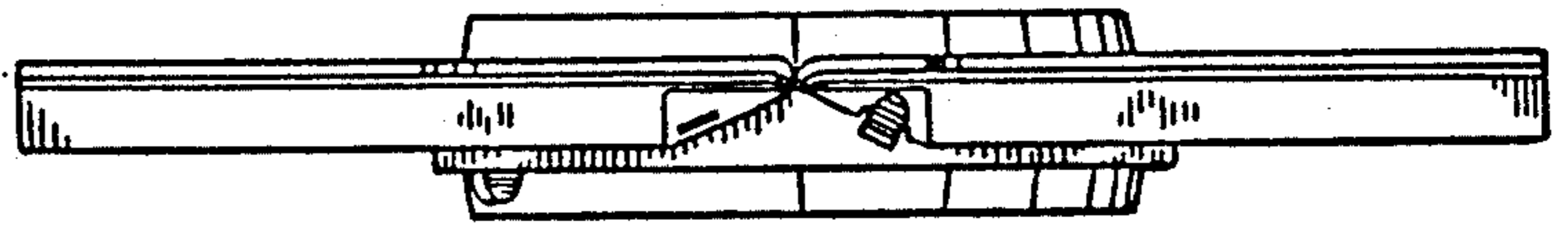


FIG-8

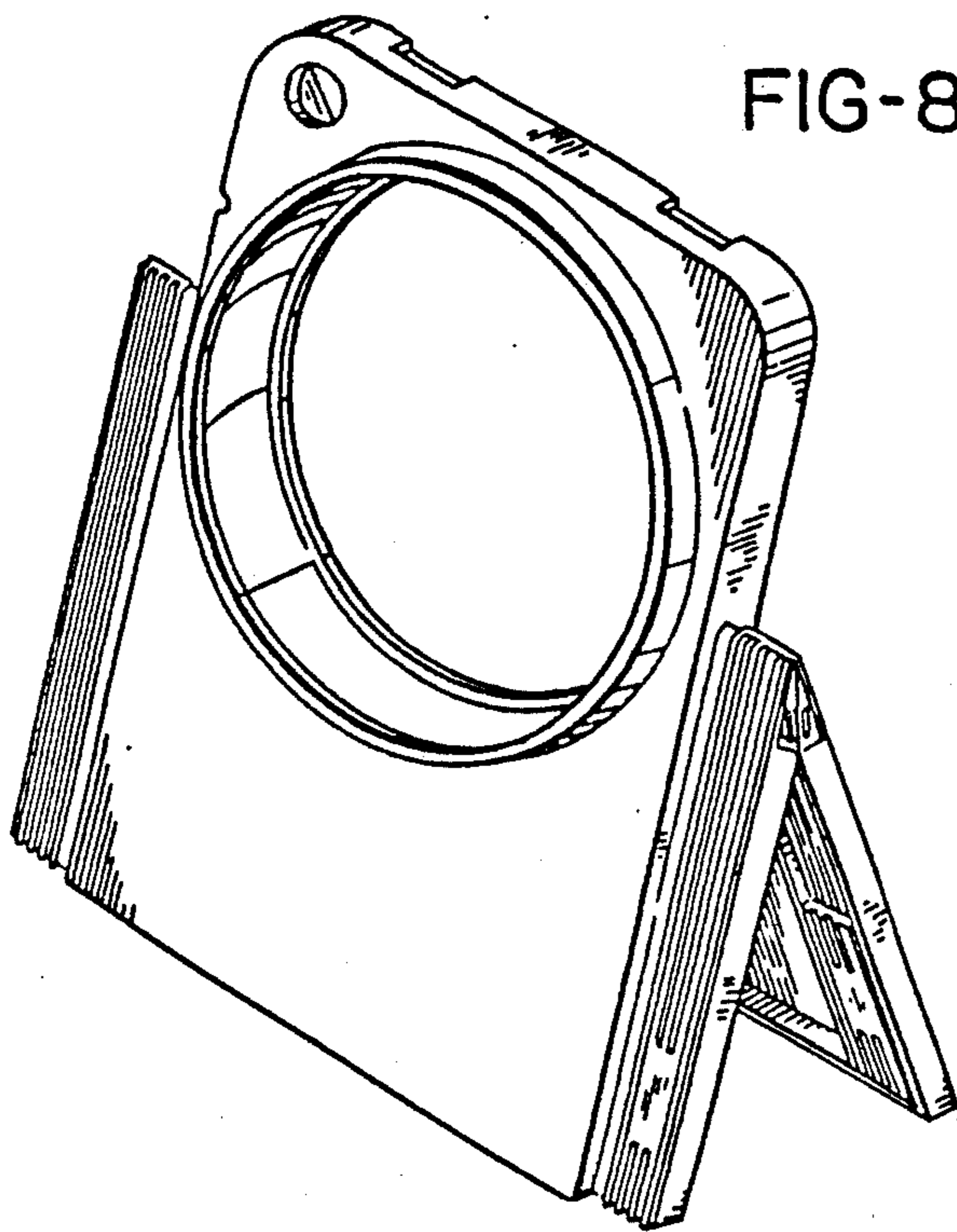


FIG-9

