

[54] FIREPLACE INSERT SMOKE PIPE CONNECTOR

[76] Inventor: Thomas E. Buehler, 3010 18th Ave. W., Bradenton, Fla. 33505

[**] Term: 14 Years

[21] Appl. No.: 311,201

[22] Filed: Feb. 16, 1989

[52] U.S. Cl. D23/403

[58] Field of Search D23/403, 344; 126/312, 126/307 R

[56] References Cited

U.S. PATENT DOCUMENTS

D. 263,735	4/1982	Oskwarek	D23/403
D. 300,460	3/1989	Buehler	D23/403
D. 300,656	4/1989	Buehler	D23/403

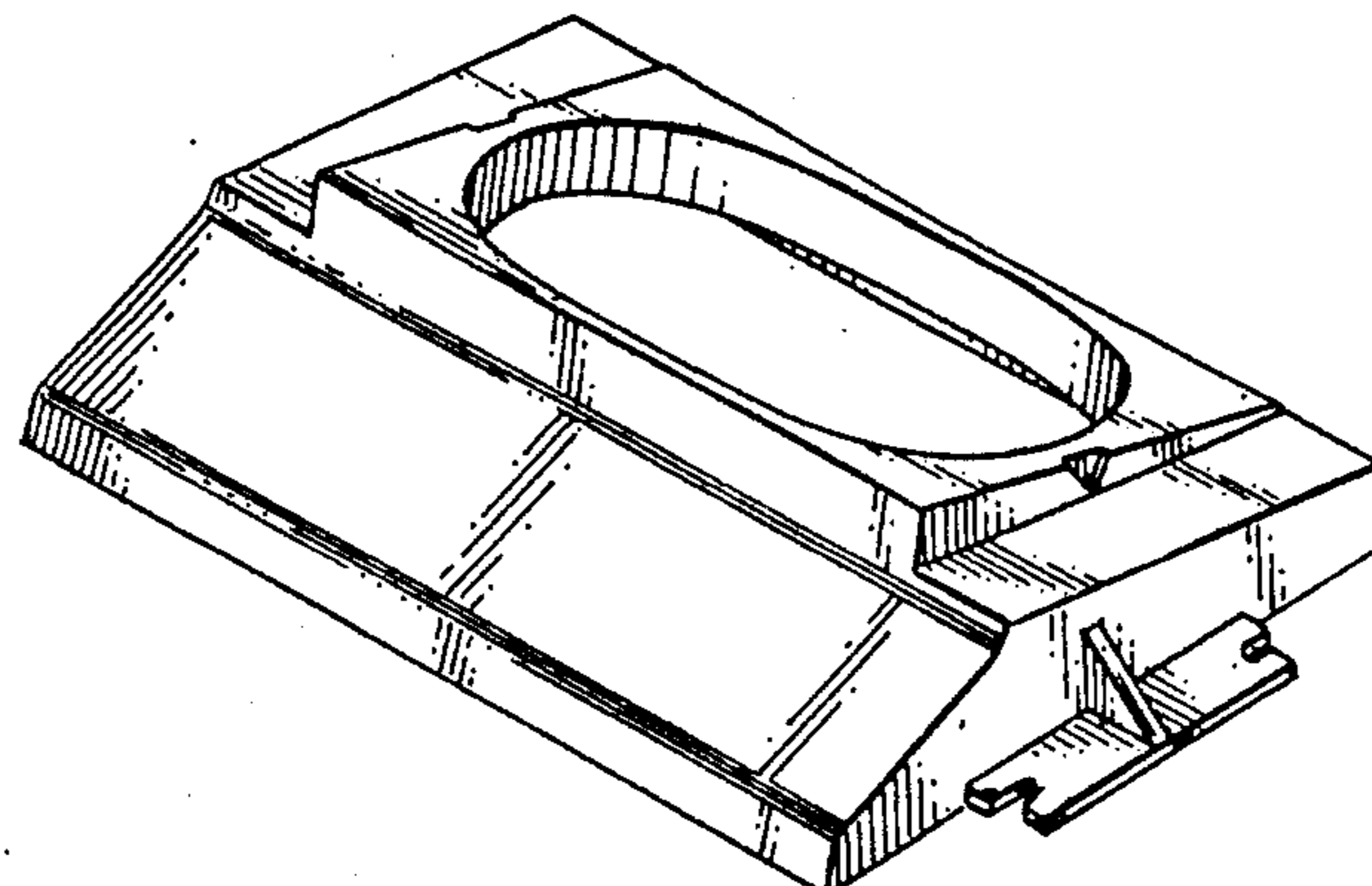
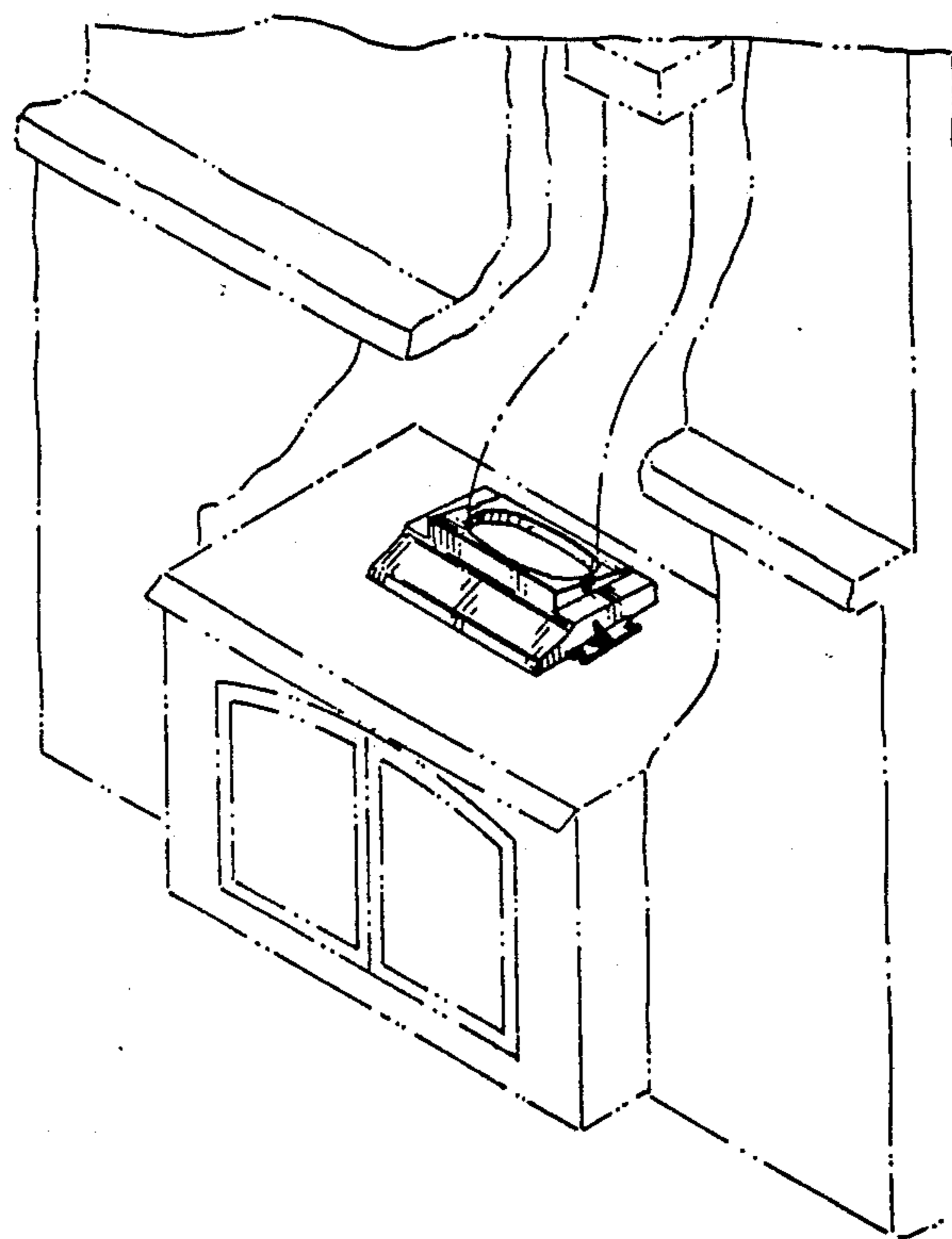
Primary Examiner—James M. Gandy
Assistant Examiner—Lisa Lichtenstein
Attorney, Agent, or Firm—Charles S. McGuire

[57] CLAIM

The ornamental design for a fireplace insert smoke pipe connector, as shown and described.

DESCRIPTION

FIG. 1 is a top, rear perspective view of a fireplace insert smoke pipe connector showing my new design; FIG. 2 is an enlarged top plan view thereof; FIG. 3 is an enlarged rear elevational view thereof; FIG. 4 is an enlarged bottom plan view thereof; FIG. 5 is an enlarged side elevational view thereof, the opposite side being a mirror image of that shown; FIG. 6 is an enlarged front elevational view thereof; and FIG. 7 is an enlarged top, rear perspective view thereof.



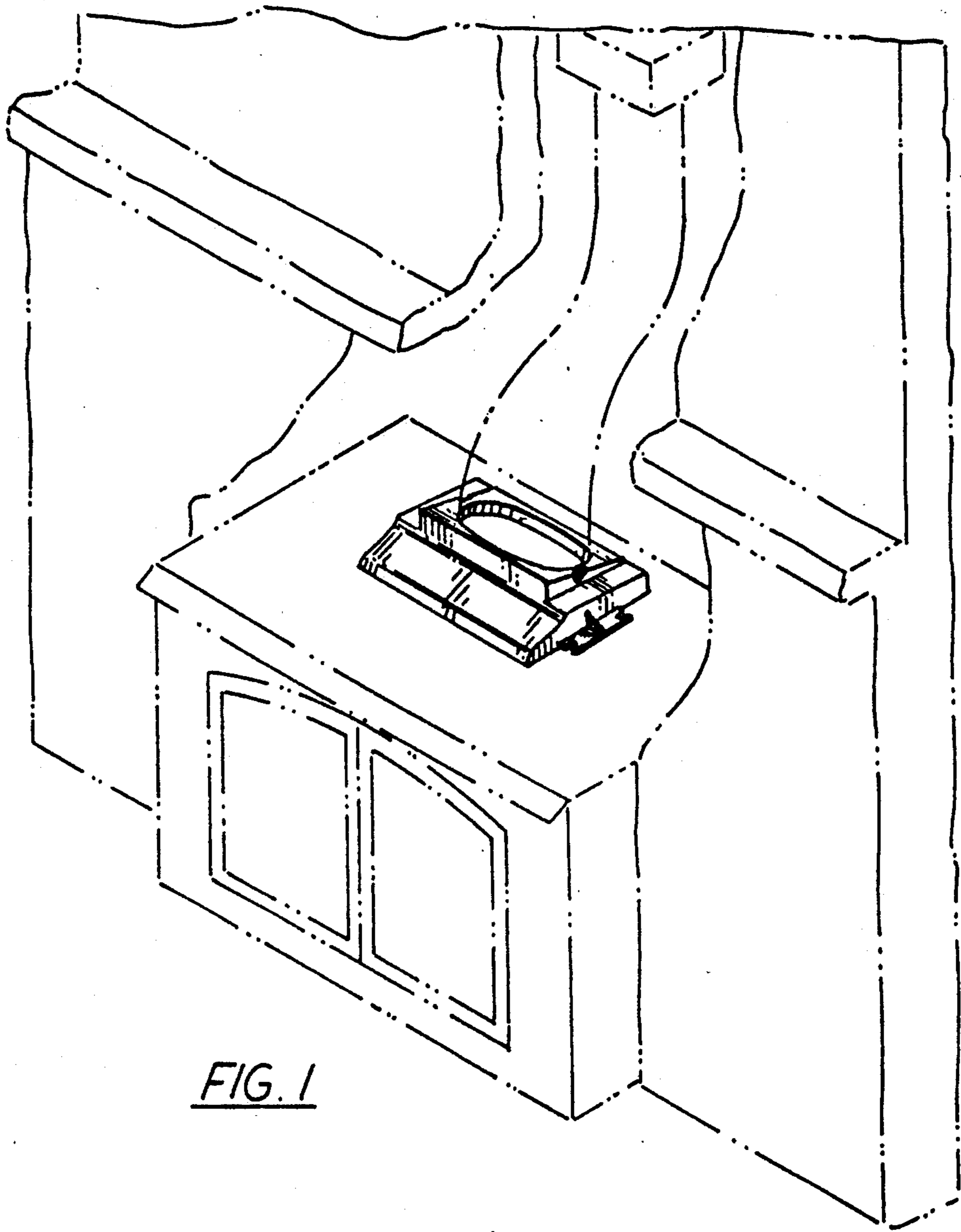


FIG. 1

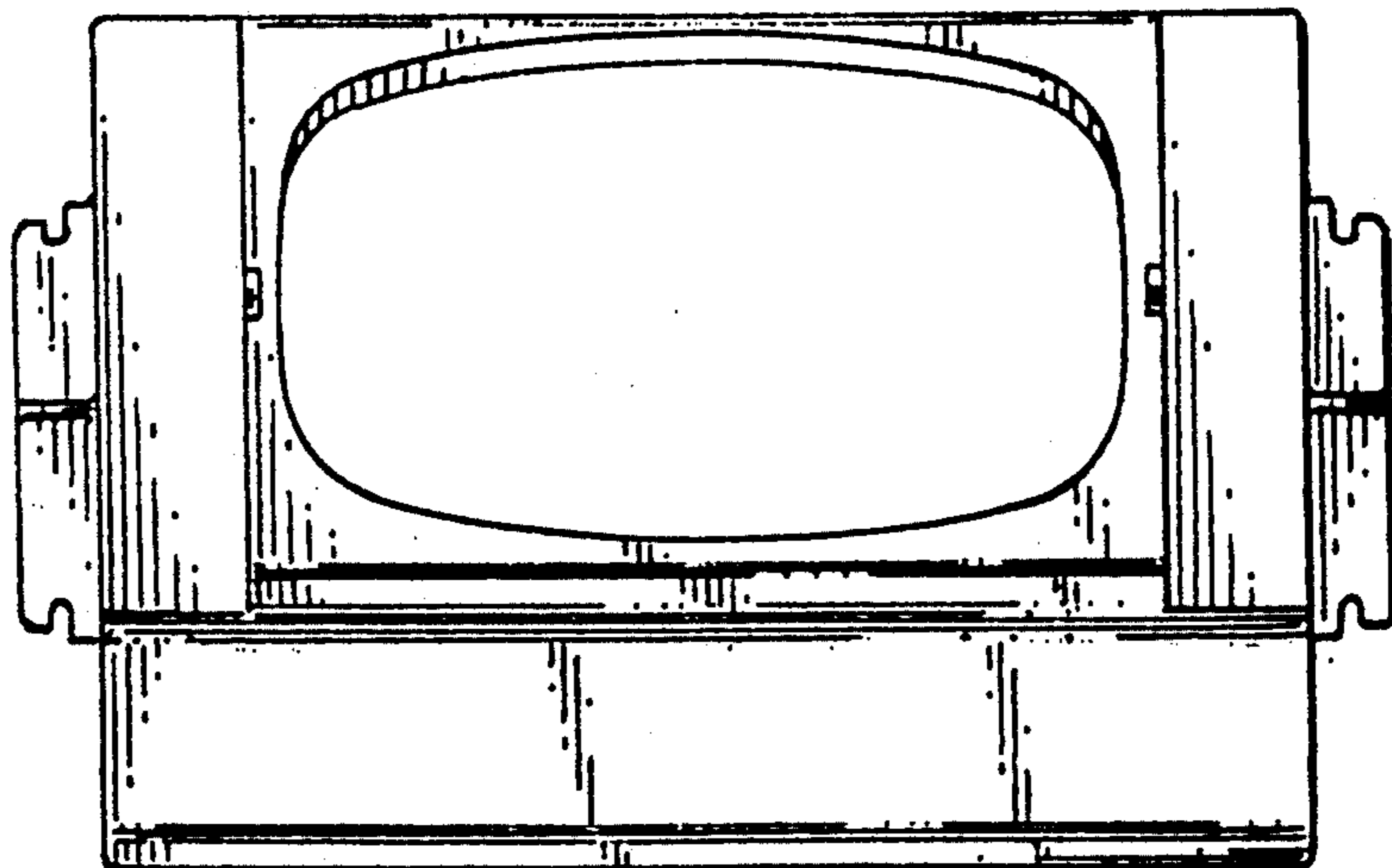


FIG. 2

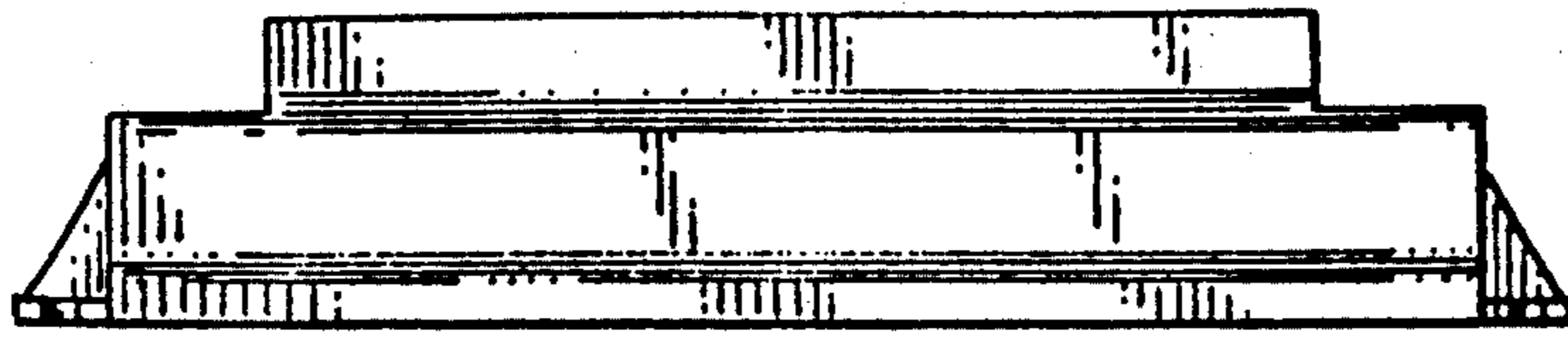


FIG. 3

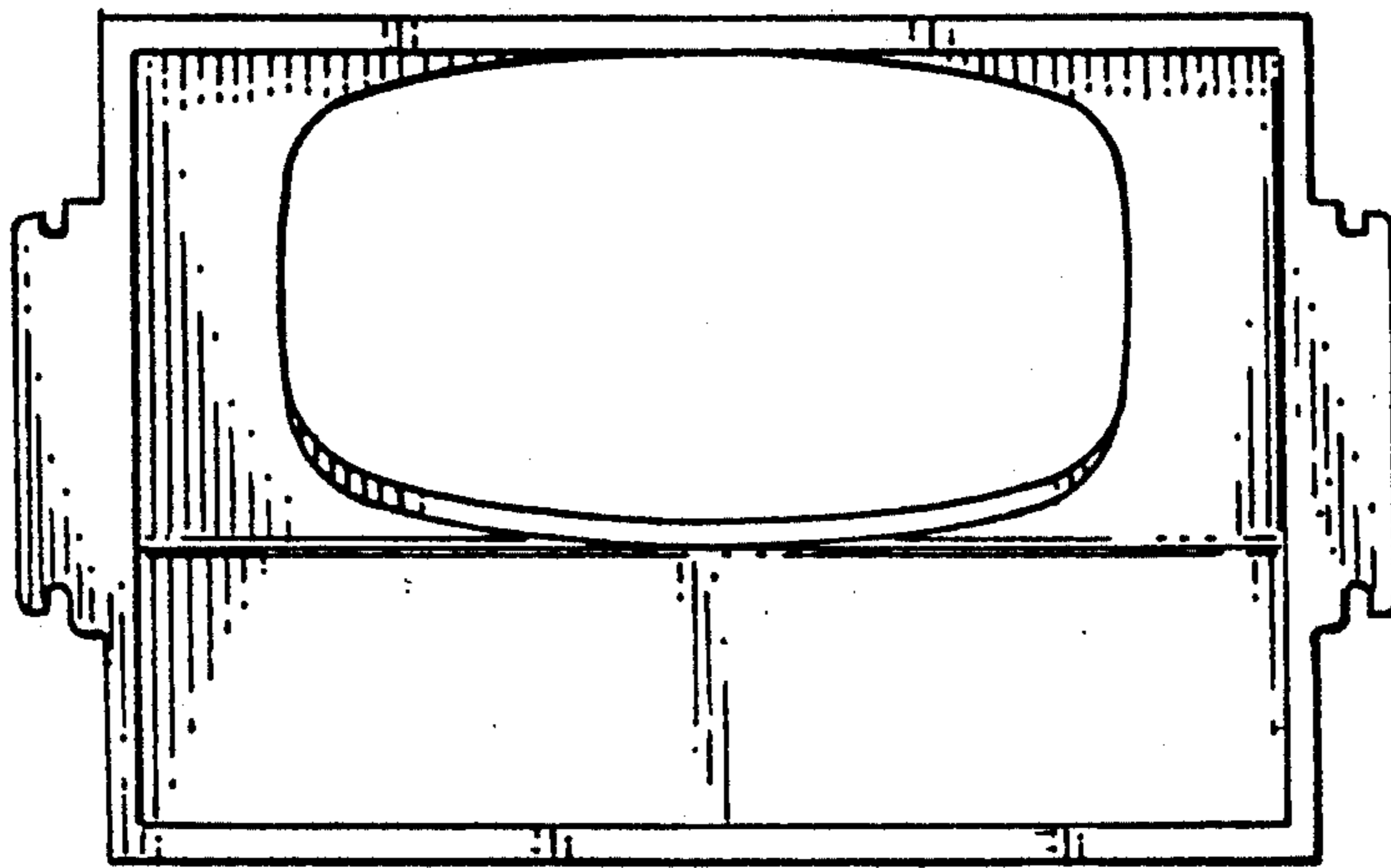


FIG. 4

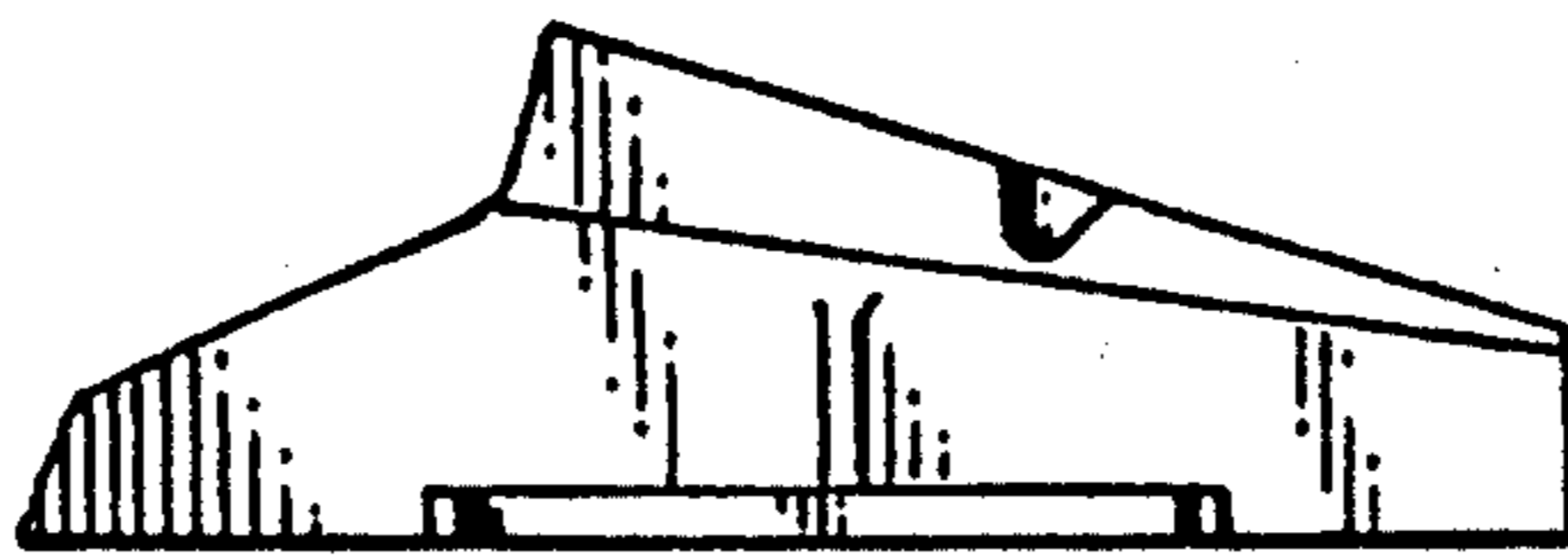


FIG. 5

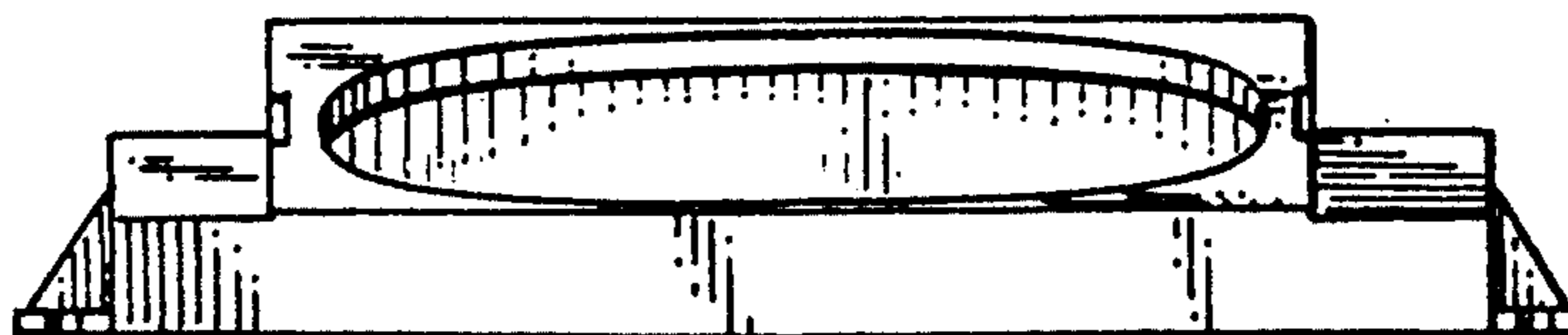


FIG. 6

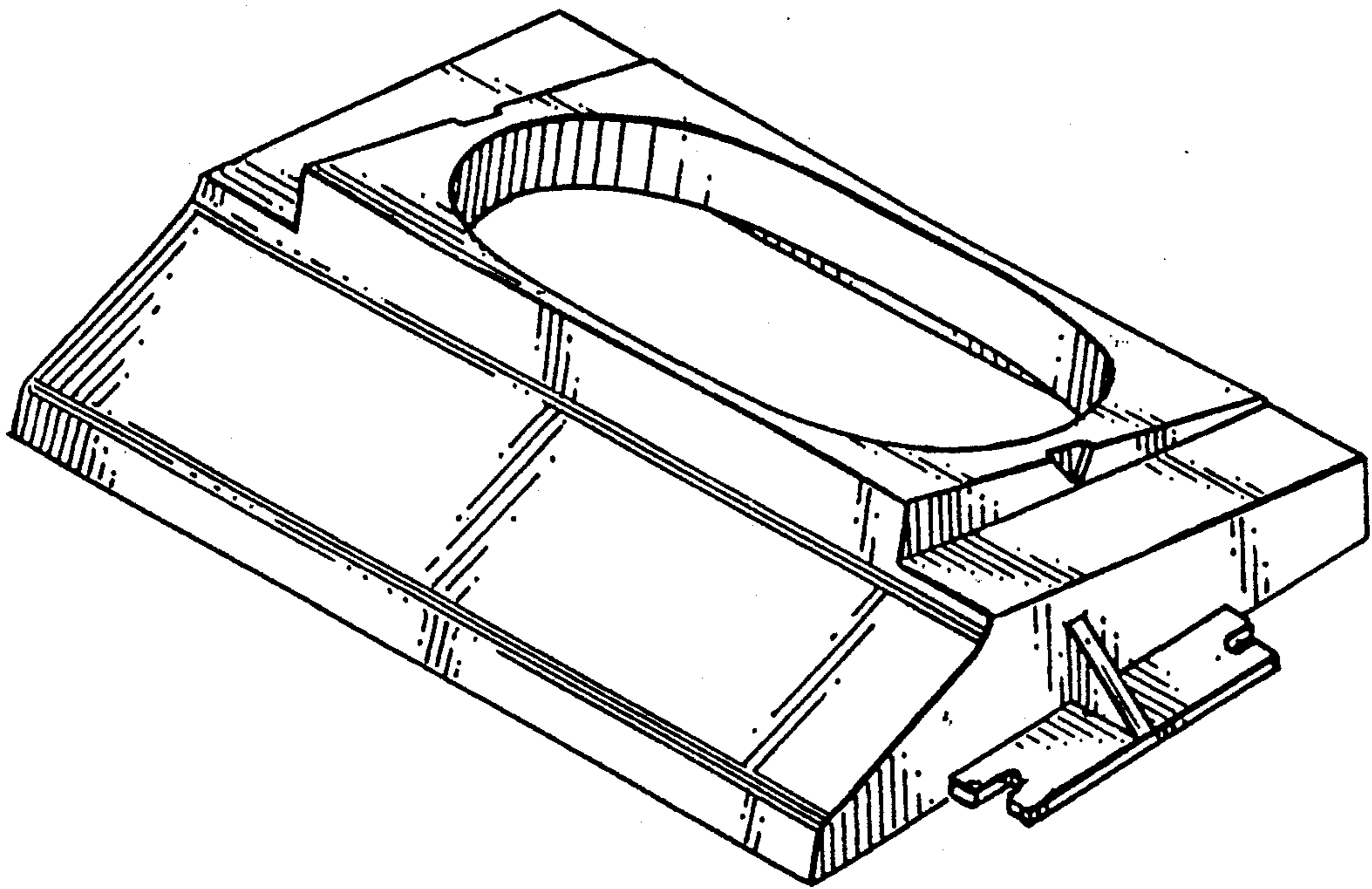


FIG. 7