

[54] HYDROTHERAPY NOZZLE

[76] Inventor: Bahram Zarinfar, 14960 Dickens St., #108, Sherman Oaks, Calif. 91403

[**] Term: 14 Years

[21] Appl. No.: 265,123

[22] Filed: Oct. 31, 1988

[52] U.S. Cl. D23/213

[58] Field of Search D23/200, 213-214, D23/215-219, 223-227, 228-229; 239/587, 589, 597, 599, 600, 425.5, 418; 4/492, 541-543, 567-570, 601; 222/566-575, 630, 637

[56] References Cited

U.S. PATENT DOCUMENTS

D. 259,735	6/1981	Moreland	D23/213
D. 260,807	9/1981	Moreland	D23/213
D. 301,731	6/1989	Allen et al.	D23/213
4,264,039	4/1981	Moreland	4/492 X

4,349,923	9/1982	Chalberg	4/542
4,422,191	12/1983	Jaworski	4/541 X
4,562,964	1/1986	Diamond	239/600 X
4,581,781	4/1986	Ebert	4/542
4,731,887	3/1988	Henkin et al.	4/542 X

Primary Examiner—Wallace R. Burke
Assistant Examiner—M. H. Tung
Attorney, Agent, or Firm—Kelly, Bauersfeld & Lowry

[57] CLAIM

The ornamental design for a hydrotherapy nozzle, as shown and described.

DESCRIPTION

FIG. 1 is a front, top and left side perspective view of a hydrotherapy nozzle showing my new design; FIG. 2 is a right side elevational view thereof, a portion broken away to show the contours of the front, all sides being identical; FIG. 3 is a front elevational view thereof; and FIG. 4 is a rear elevational view thereof.

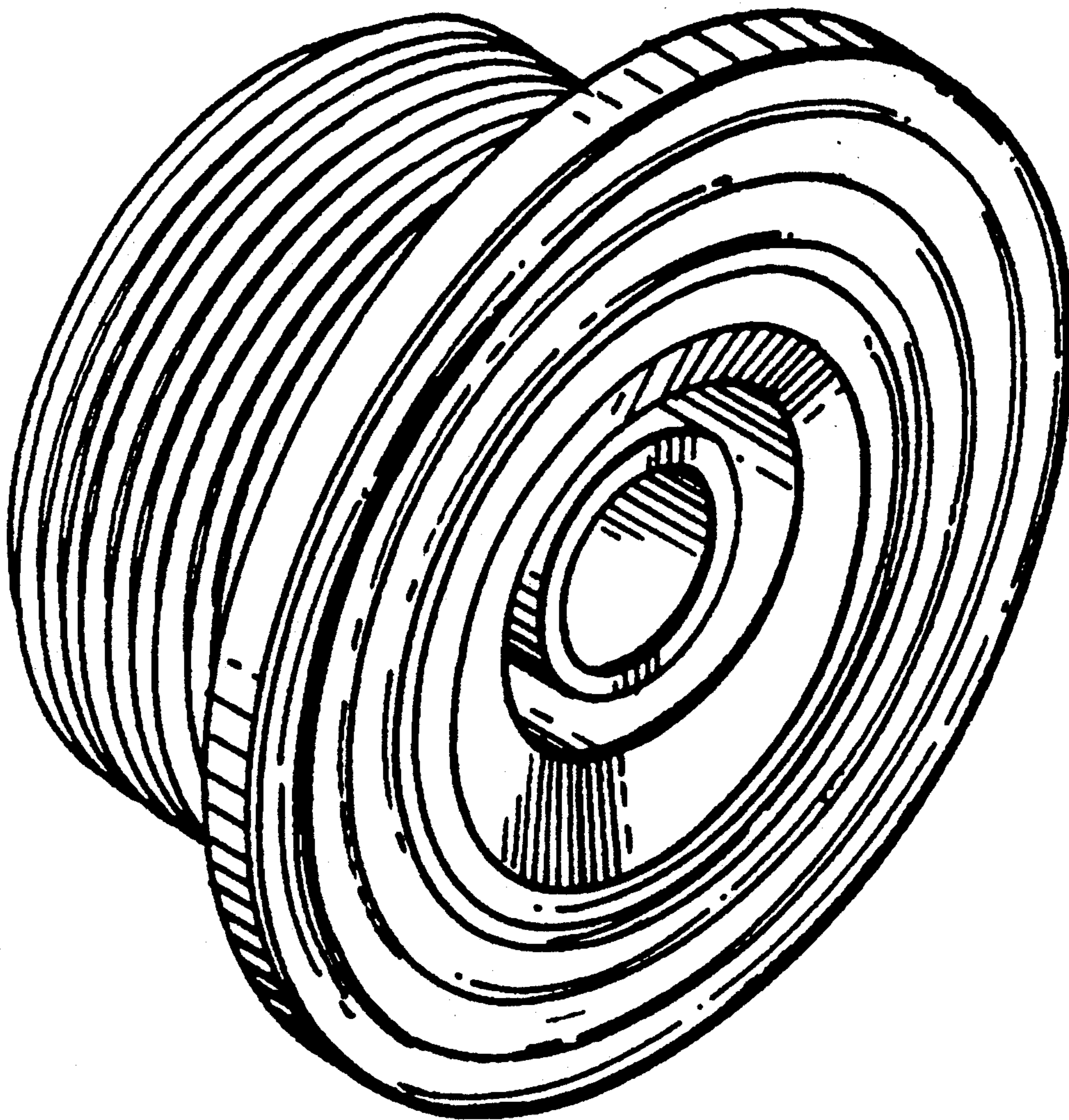


FIG. 1

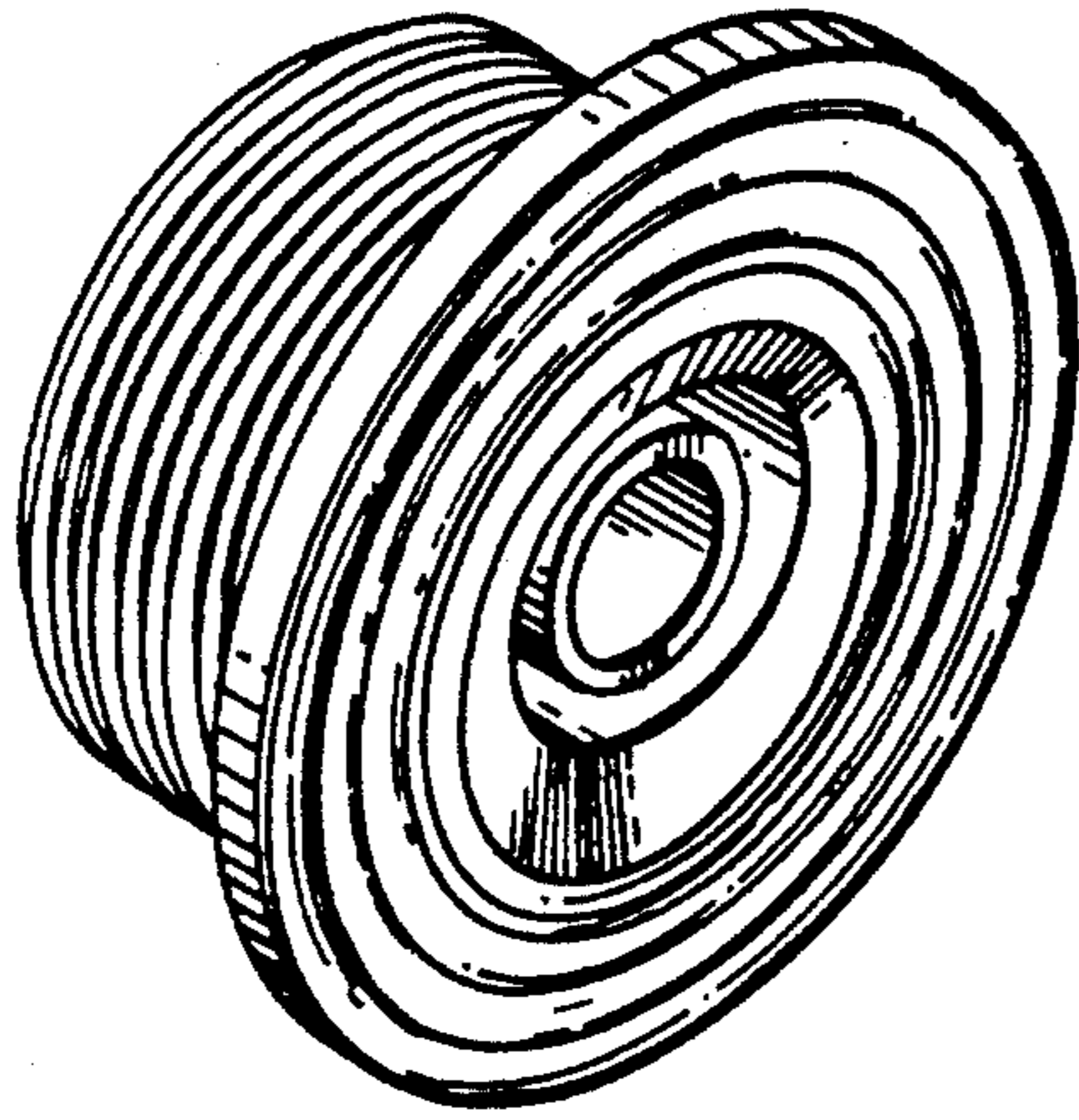


FIG. 2

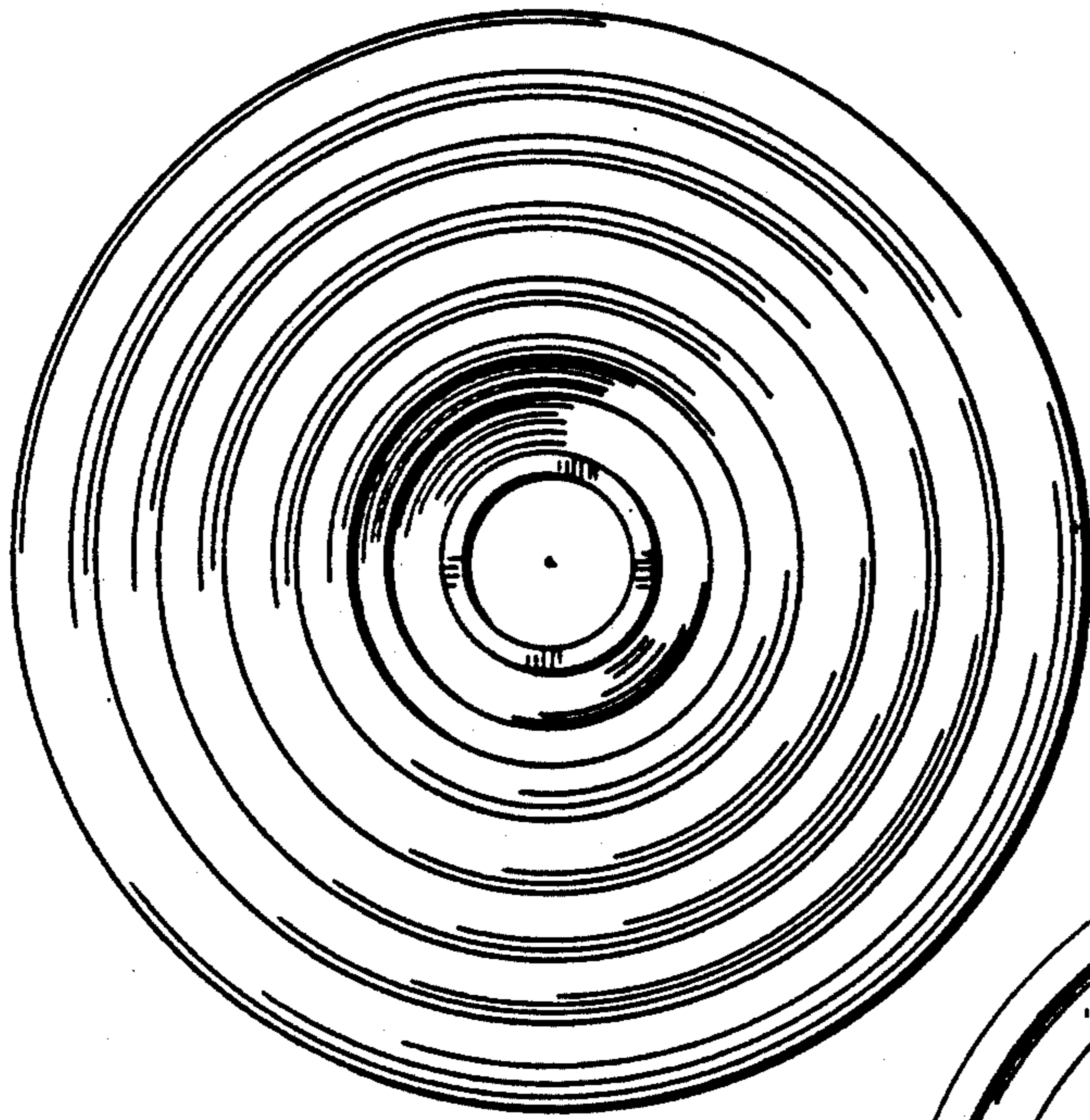
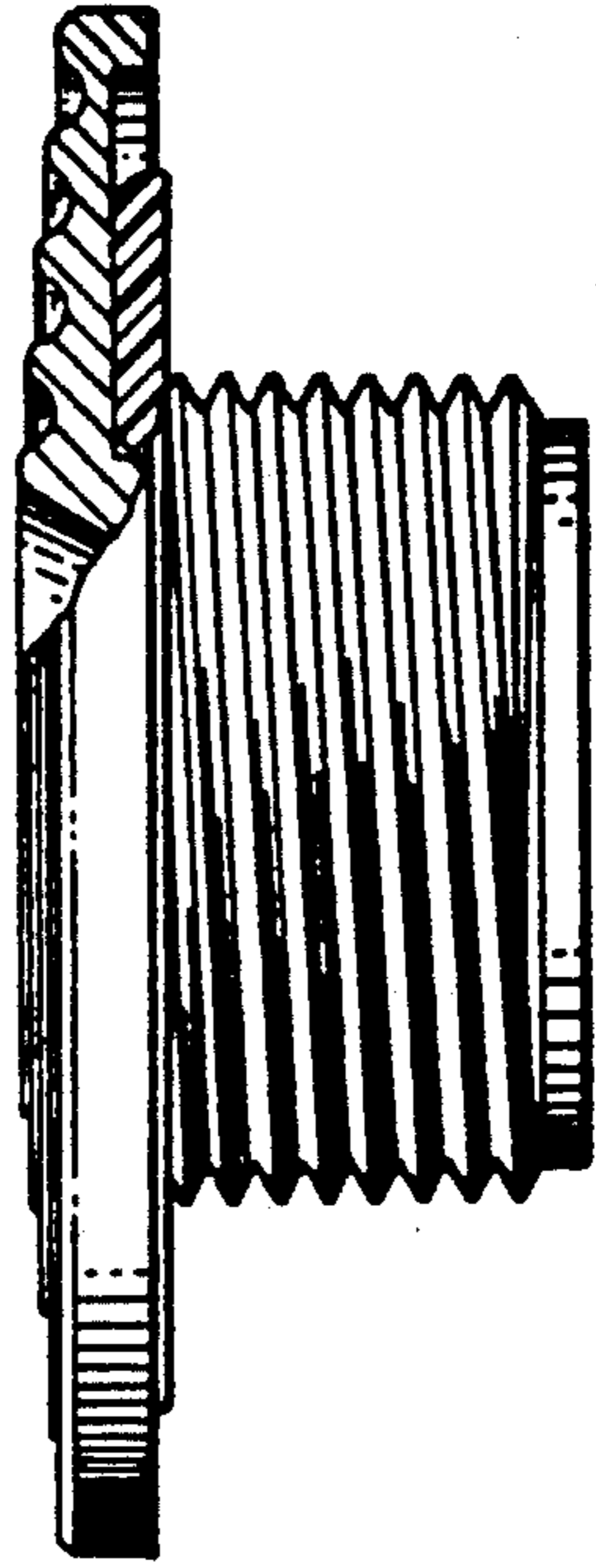


FIG. 3

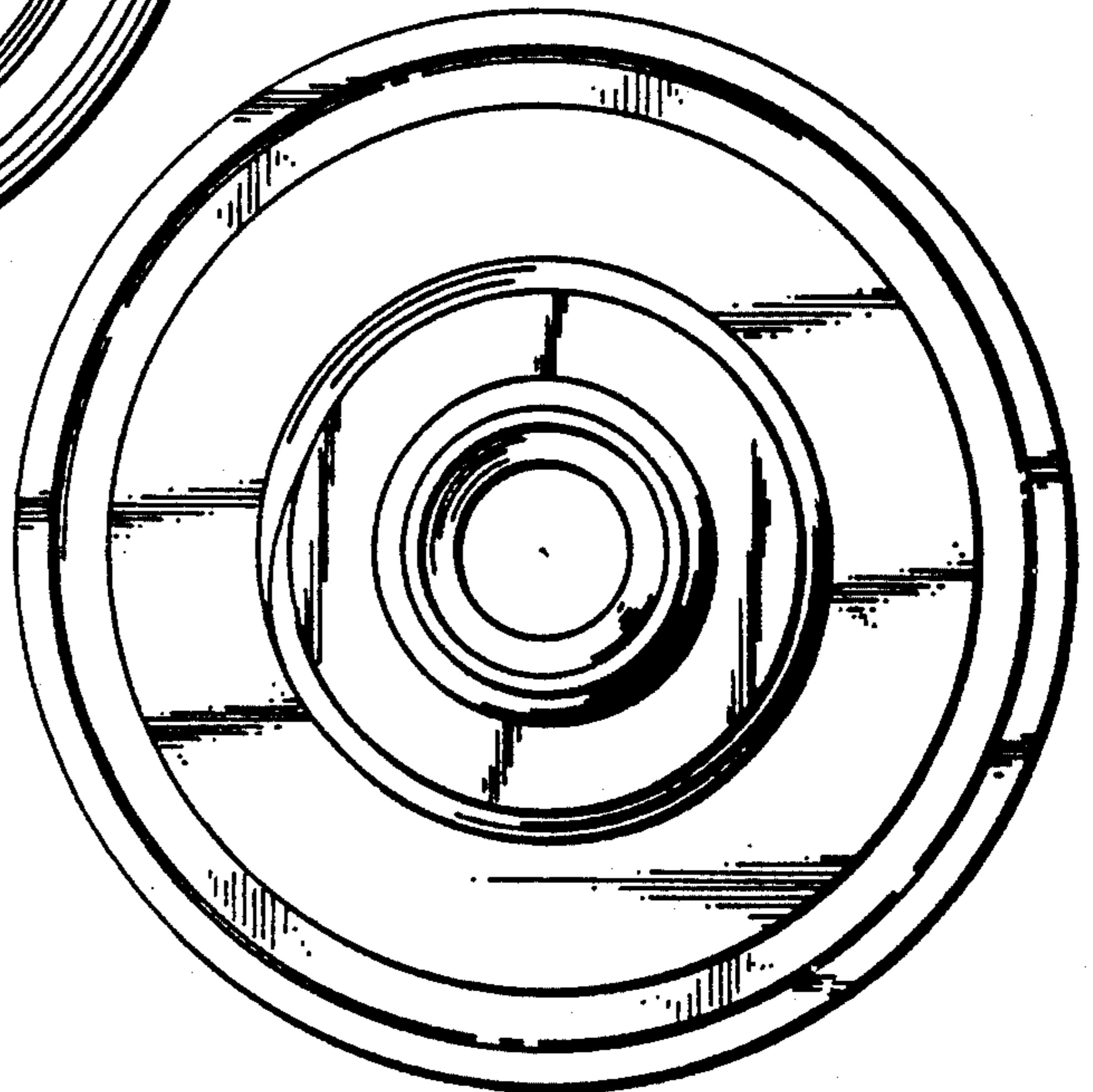


FIG. 4