

[54] **FISHING LURE**  
 [75] **Inventor: Francis E. Ryder, Arab, Ala.**  
 [73] **Assignee: Ryder International Corporation, Arab, Ala.**  
 [\*\*] **Term: 14 Years**  
 [21] **Appl. No.: 218,104**  
 [22] **Filed: Jul. 12, 1988**  
 [52] **U.S. Cl. .... D22/133; D22/126**  
 [58] **Field of Search .... D22/133, 126, 130; 43/42.15, 42.31, 42.37, 42.06, 43.13, 43.12, 42.5, 42.26, 42.03, 42.27, 42.48, 42.49**

3,445,953 5/1969 Dailey ..... 43/42.06  
 3,898,758 8/1975 Swanningson ..... 43/43.13 X  
 4,028,839 6/1977 Stubblefield ..... 43/43.13  
 4,161,078 7/1979 Pagani ..... 43/43.13

*Primary Examiner*—A. Hugo Word  
*Assistant Examiner*—Doris V. Coles  
*Attorney, Agent, or Firm*—Trexler, Bushnell, Giangiorgi & Blackstrone, Ltd.

[57] **CLAIM**

The ornamental design for a fishing lure, as shown and described.

**DESCRIPTION**

FIG. 1 is a left side elevational view of a fishing lure, showing my new design, the right side being a mirror image thereof;

FIG. 2 is a top plan view thereof;

FIG. 3 is a bottom plan view thereof;

FIG. 4 is a front elevational view thereof; and

FIG. 5 is a rear elevational view thereof.

[56] **References Cited**  
**U.S. PATENT DOCUMENTS**  
 D. 223,490 4/1972 McClellan ..... D22/133  
 1,575,139 3/1926 Wiesenfeld ..... 43/42.51  
 2,853,826 9/1958 Romeo ..... D22/130 X  
 3,337,980 8/1967 Farajian et al. .... D22/133 X

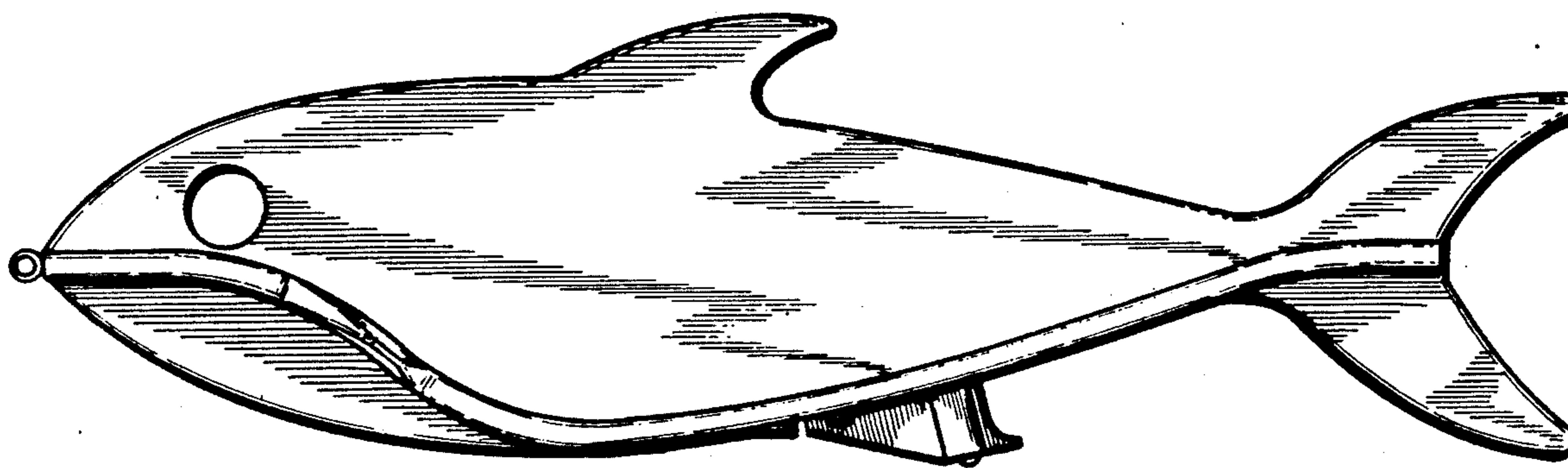


FIG. 1

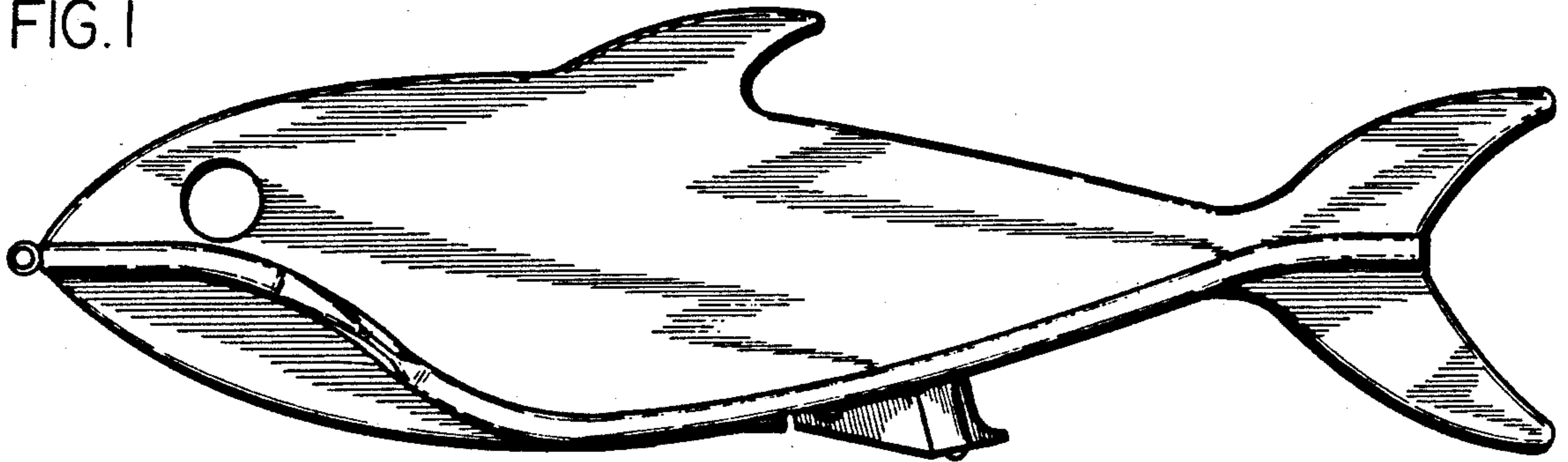


FIG. 2

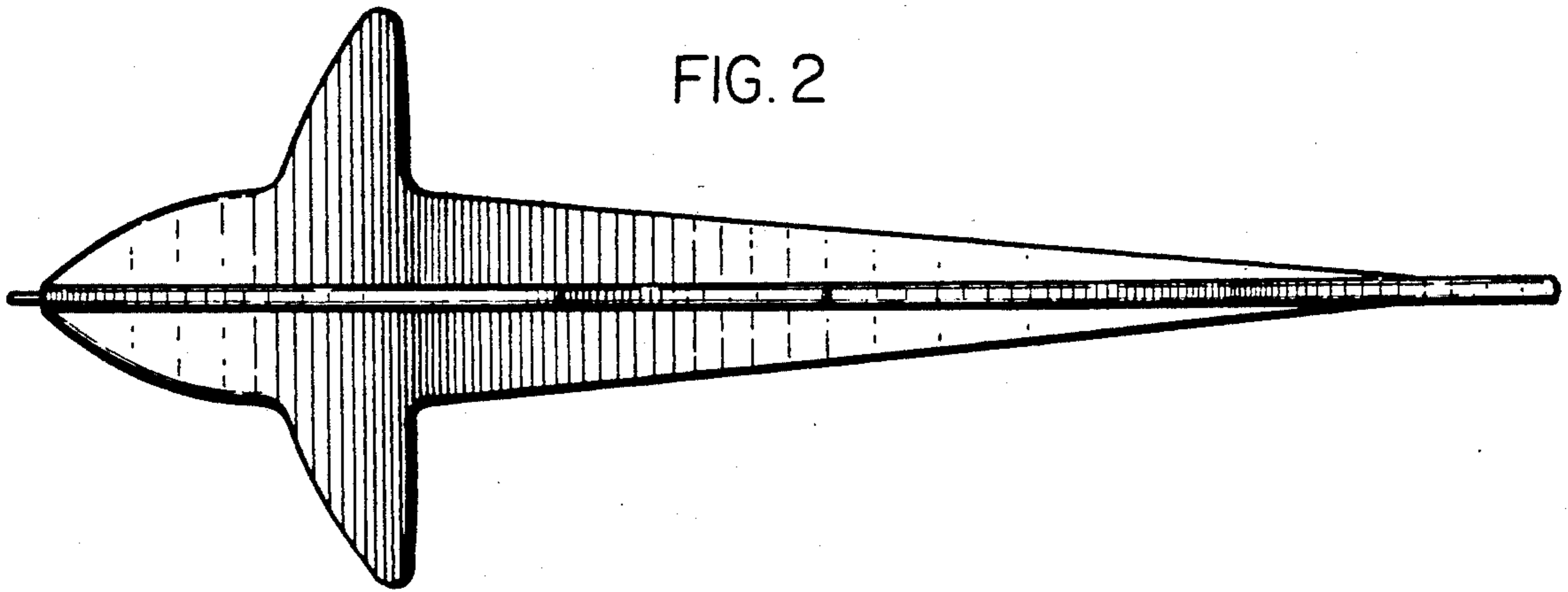


FIG. 3

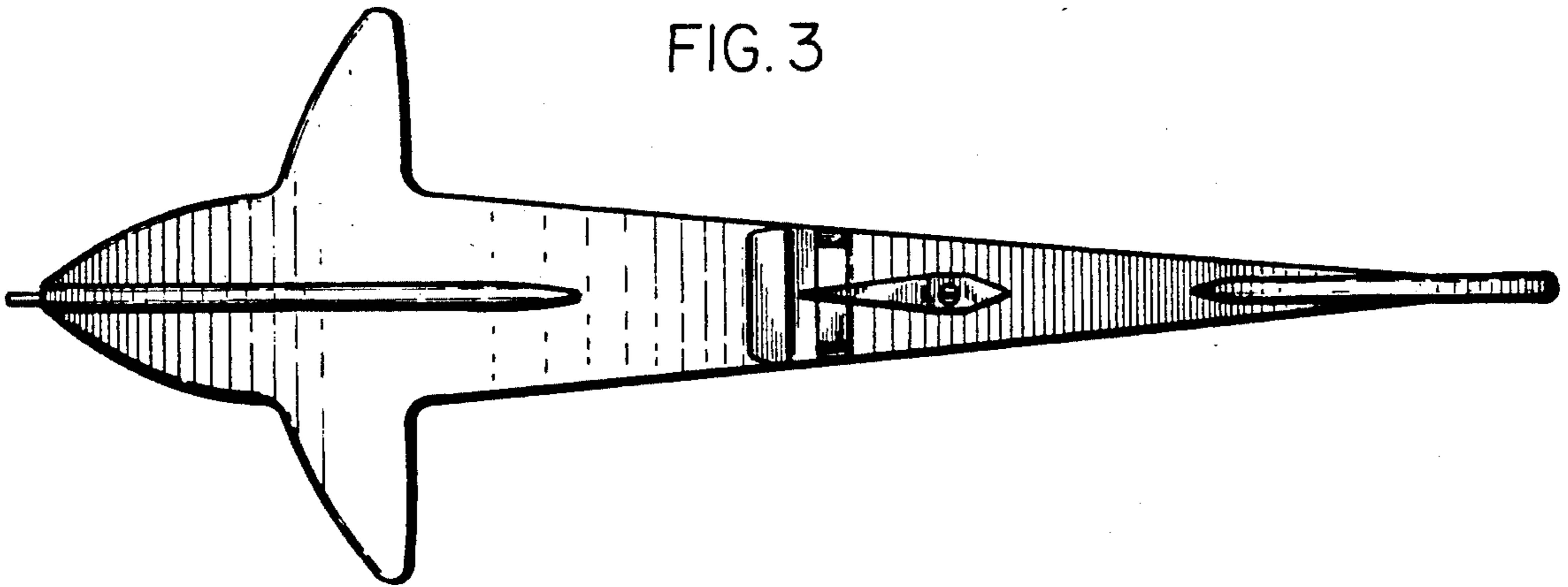


FIG. 4

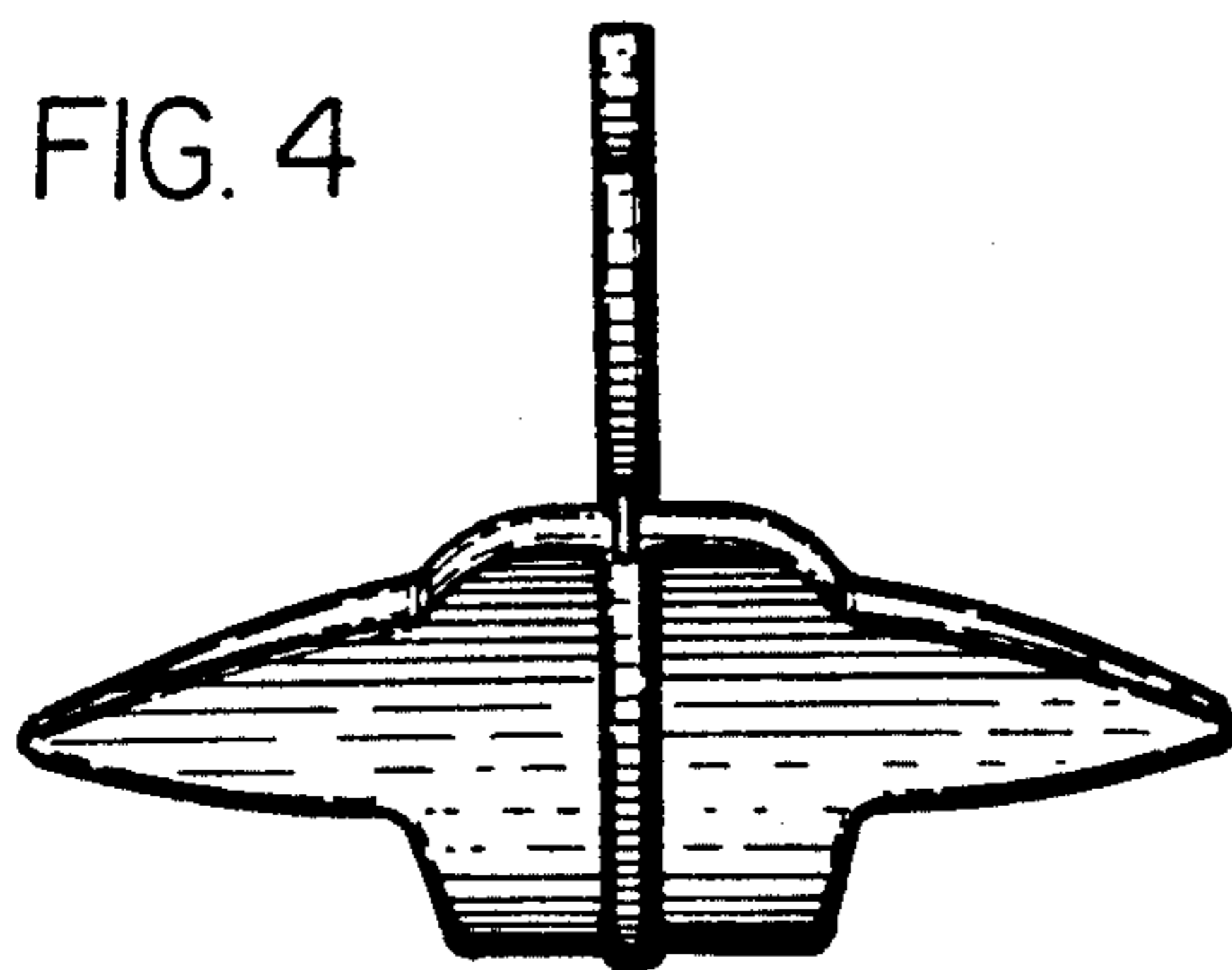


FIG. 5

