

[54] DROWNING ANCHOR FOR AN ANIMAL TRAP

[76] Inventor: John E. Russell, R.R. 17256, Shullsburg, Wis. 53586

[**] Term: 14 Years

[21] Appl. No.: 215,947

[22] Filed: Jul. 6, 1988

[52] U.S. Cl. D22/119

[58] Field of Search D22/119; D8/89; 7/166; 119/151, 152; 294/26; 43/91, 5, 58, 61, 60, 85, 77, 94, 96

[56] References Cited

U.S. PATENT DOCUMENTS

D. 215,119	9/1969	Dozier	D22/119
636,788	11/1899	French	43/94
1,182,790	5/1916	Piper	119/152
1,717,279	6/1929	Terry	43/58
2,093,719	9/1937	Furukawa	43/85
2,429,046	10/1947	Billig	294/11
2,471,804	5/1949	Wheeler	43/96
2,507,411	5/1950	Killian	119/152
2,513,130	6/1950	Arnest	43/96

2,671,981	3/1954	Williams	43/96
2,715,294	8/1955	Bossiere	43/96
3,178,849	4/1965	Pradon	43/96
3,604,377	9/1971	Smith	30/286 X

FOREIGN PATENT DOCUMENTS

341822	6/1904	France	119/151
--------	--------	--------	-------	---------

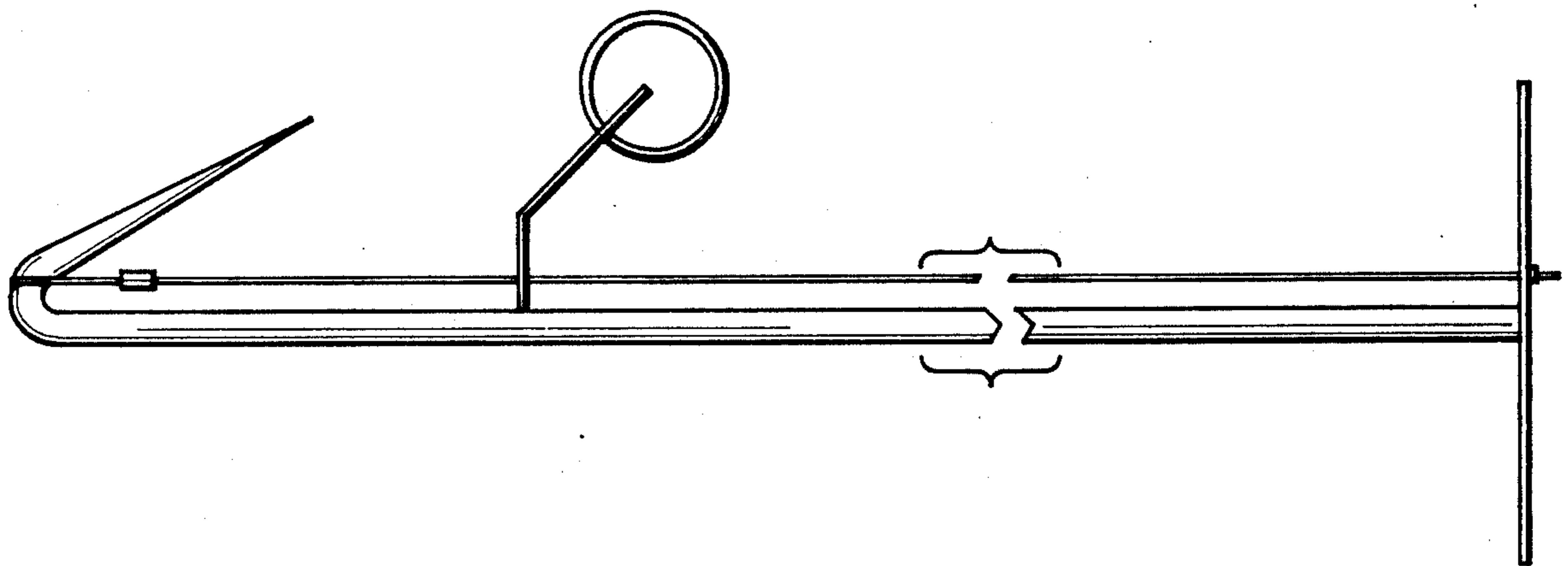
Primary Examiner—A. Hugo Word
Assistant Examiner—Doris V. Coles
Attorney, Agent, or Firm—Jerry T. Kearns

[57] CLAIM

The ornamental design for a drowning anchor for an animal trap, as shown and described.

DESCRIPTION

FIG. 1 is a front elevational view of an drowning anchor for an animal trap showing my new design; FIG. 2 is a rear elevational view thereof; FIG. 3 is a left side elevational view thereof; FIG. 4 is a right side elevational view thereof; FIG. 5 is a top plan view thereof; and, FIG. 6 is a bottom plan view thereof. FIGS. 1, 2, 5 and 6 are broken away to indicate indeterminate length.



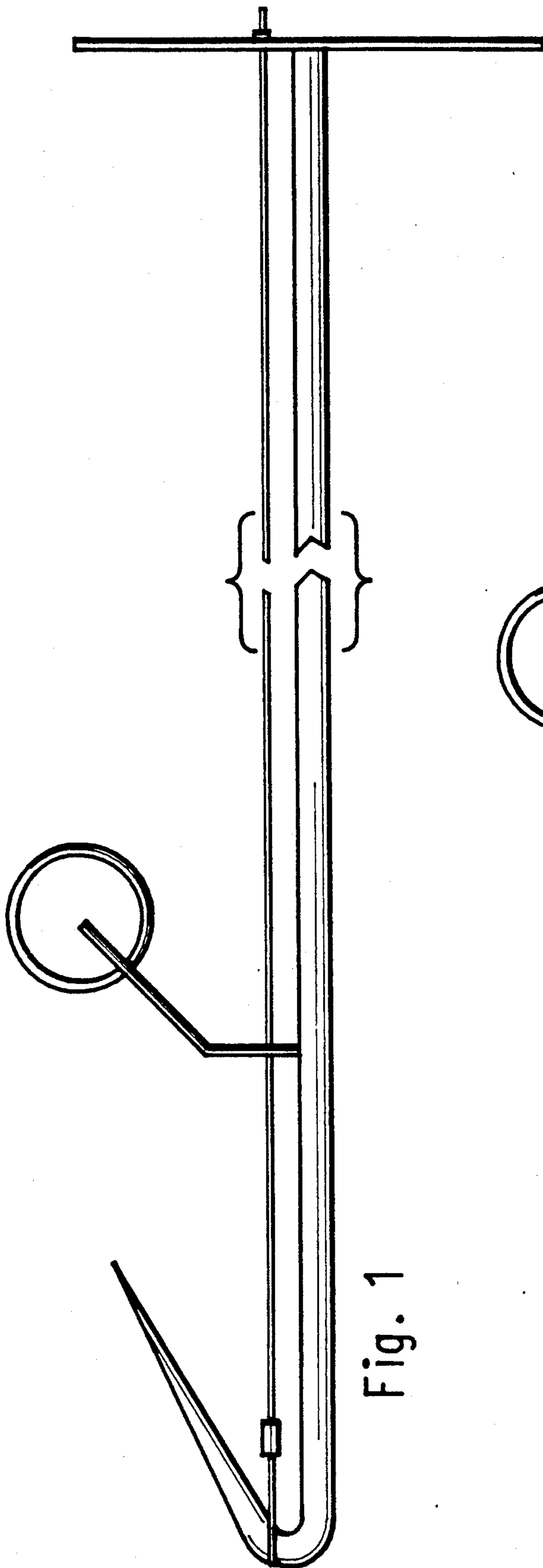


Fig. 1

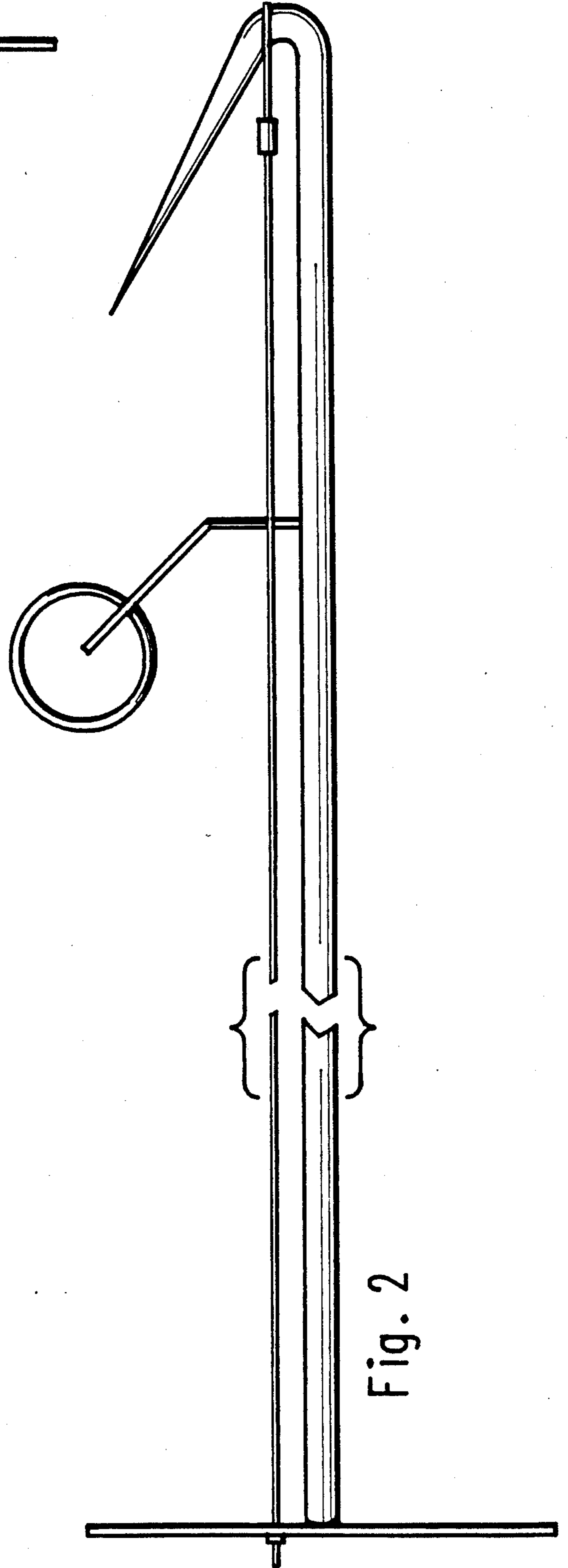


Fig. 2

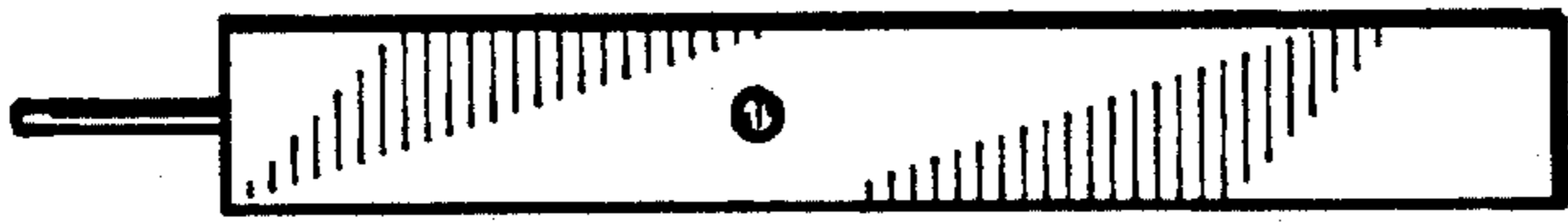


Fig. 4



Fig. 3

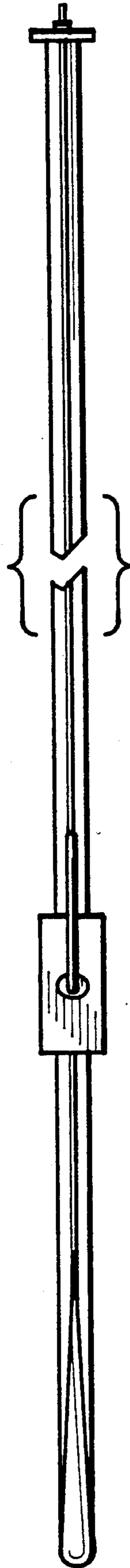


Fig. 5



Fig. 6