

[54] PUTTER TYPE GOLF CLUB HEAD

[76] Inventor: Anthony J. Antonious, 205 E. Joppa Rd., Towson, Md. 21204

[**] Term: 14 Years

[21] Appl. No.: 227,182

[22] Filed: Aug. 2, 1988

[52] U.S. Cl. D21/217

[58] Field of Search D21/214-220;
273/164, 167-175

[56] References Cited

U.S. PATENT DOCUMENTS

- D. 298,846 12/1988 Antonious D21/217
- D. 305,055 12/1989 Antonious D21/217

OTHER PUBLICATIONS

Golf World, Aug. 1, 1986, p. 13, middle right, Pinnacle Putter.

Golf Digest, Dec., 1986, p. 32, lower left, Just-Rite Putter.

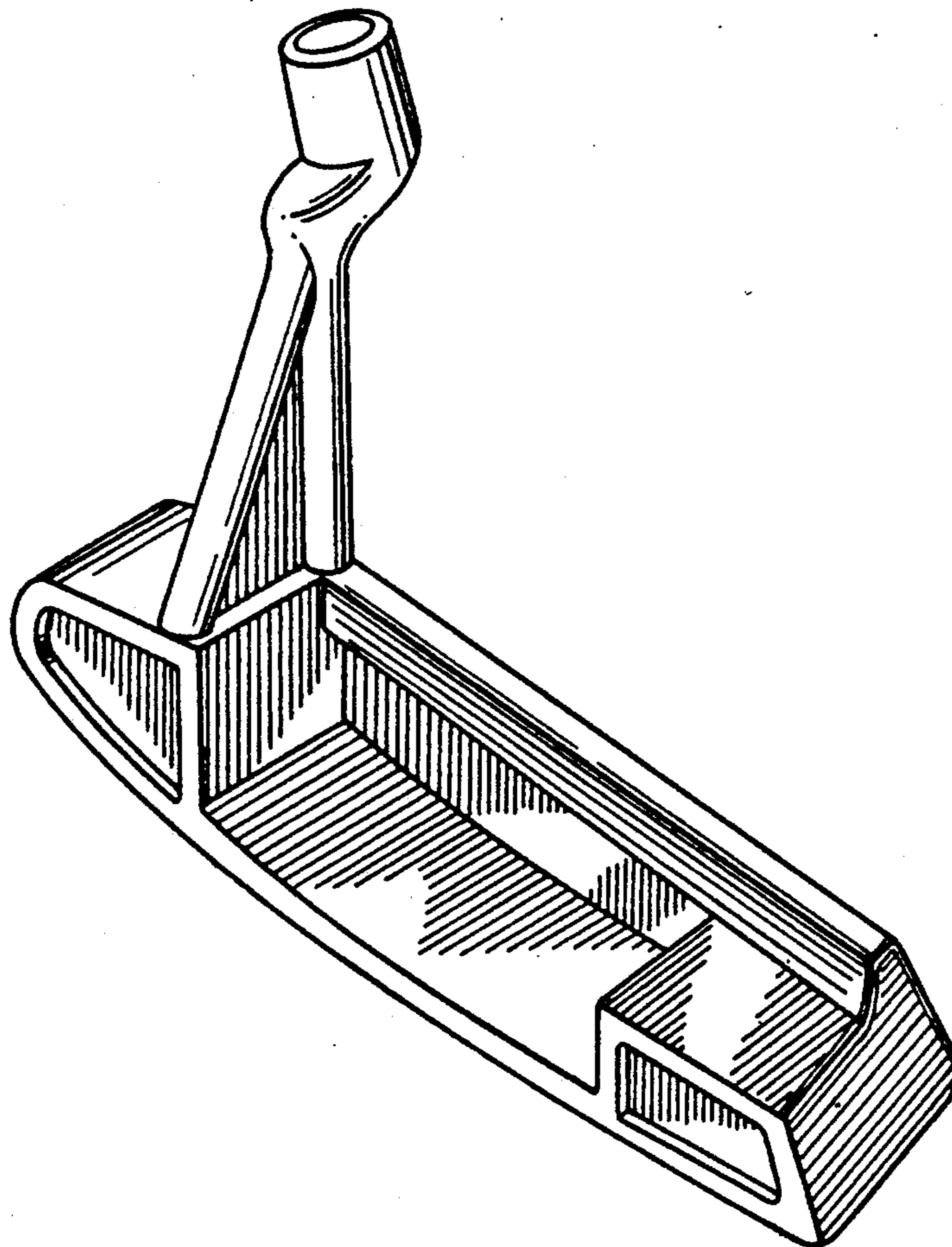
Primary Examiner—Melvin B. Feifer
Attorney, Agent, or Firm—N. J. Aquilino

[57] CLAIM

The ornamental design for a putter type golf club head, as shown and described.

DESCRIPTION

FIG. 1 is a rear prospective view showing my new design for a putter type golf club head;
 FIG. 2 is a rear elevational view thereof;
 FIG. 3 is an end elevational view thereof;
 FIG. 4 is a top plan view thereof;
 FIG. 5 is a front elevational view thereof;
 FIG. 6 is an end elevational view taken from the opposite side of FIG. 3;
 FIG. 7 is a bottom view thereof.



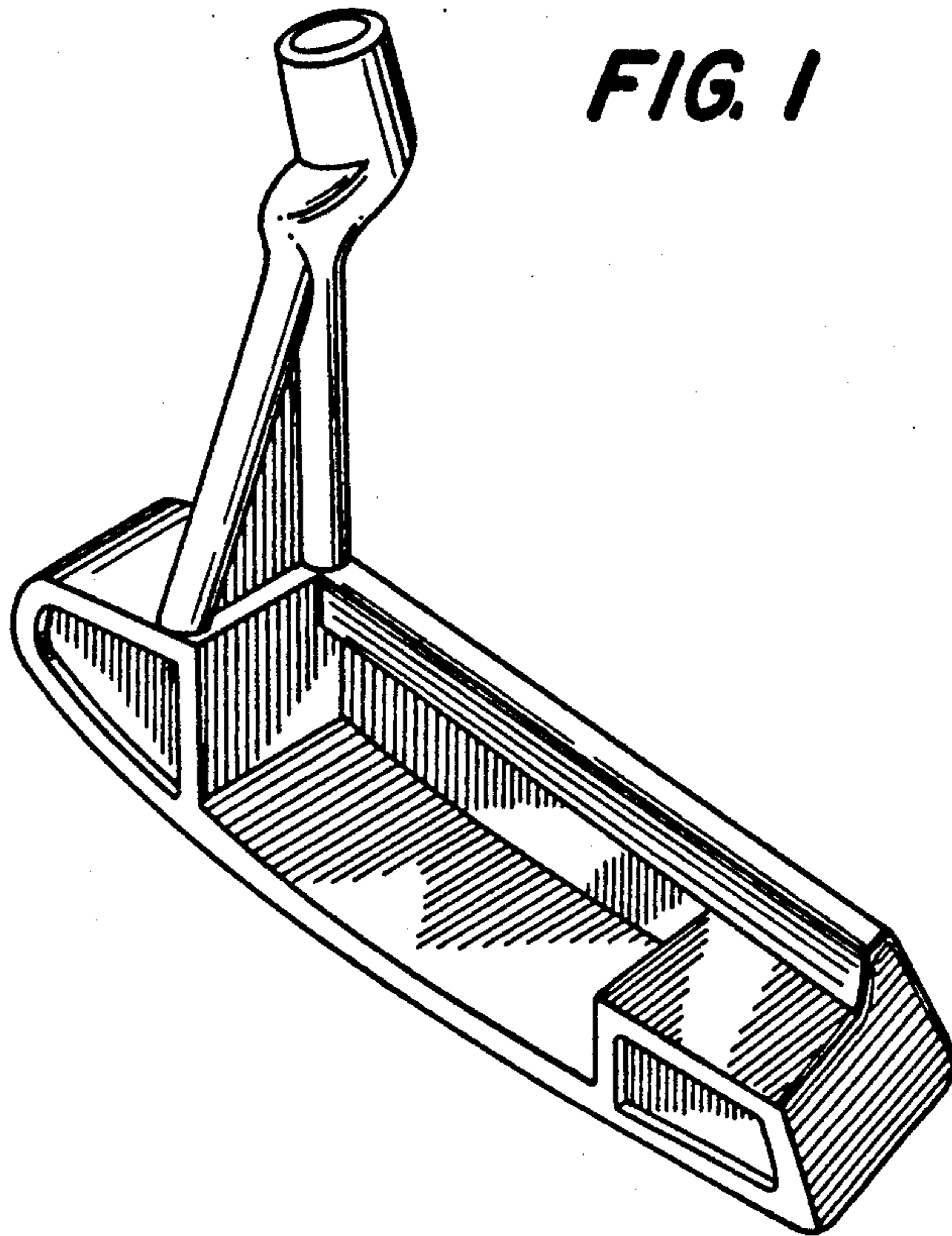


FIG. 1

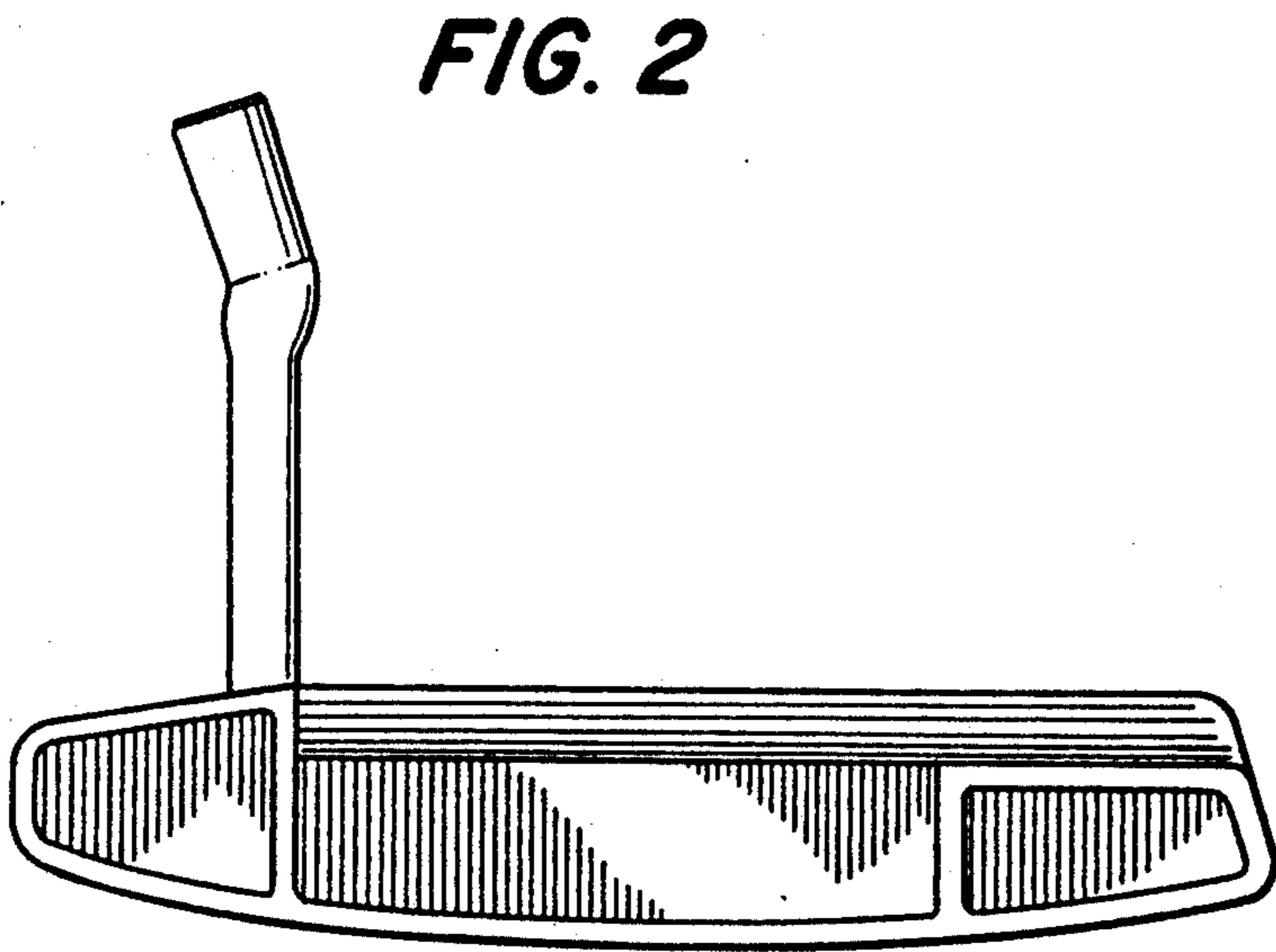


FIG. 2

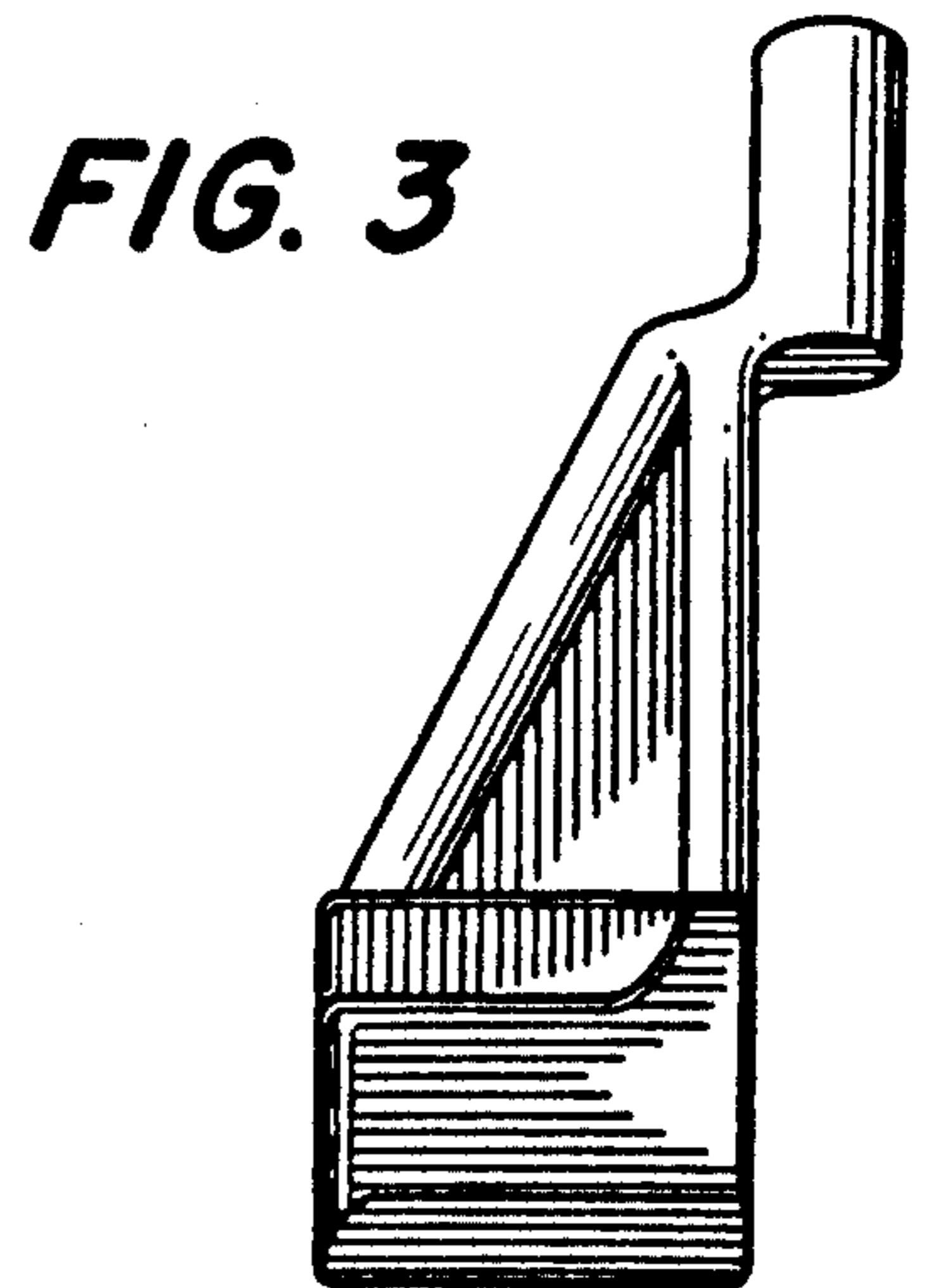


FIG. 3

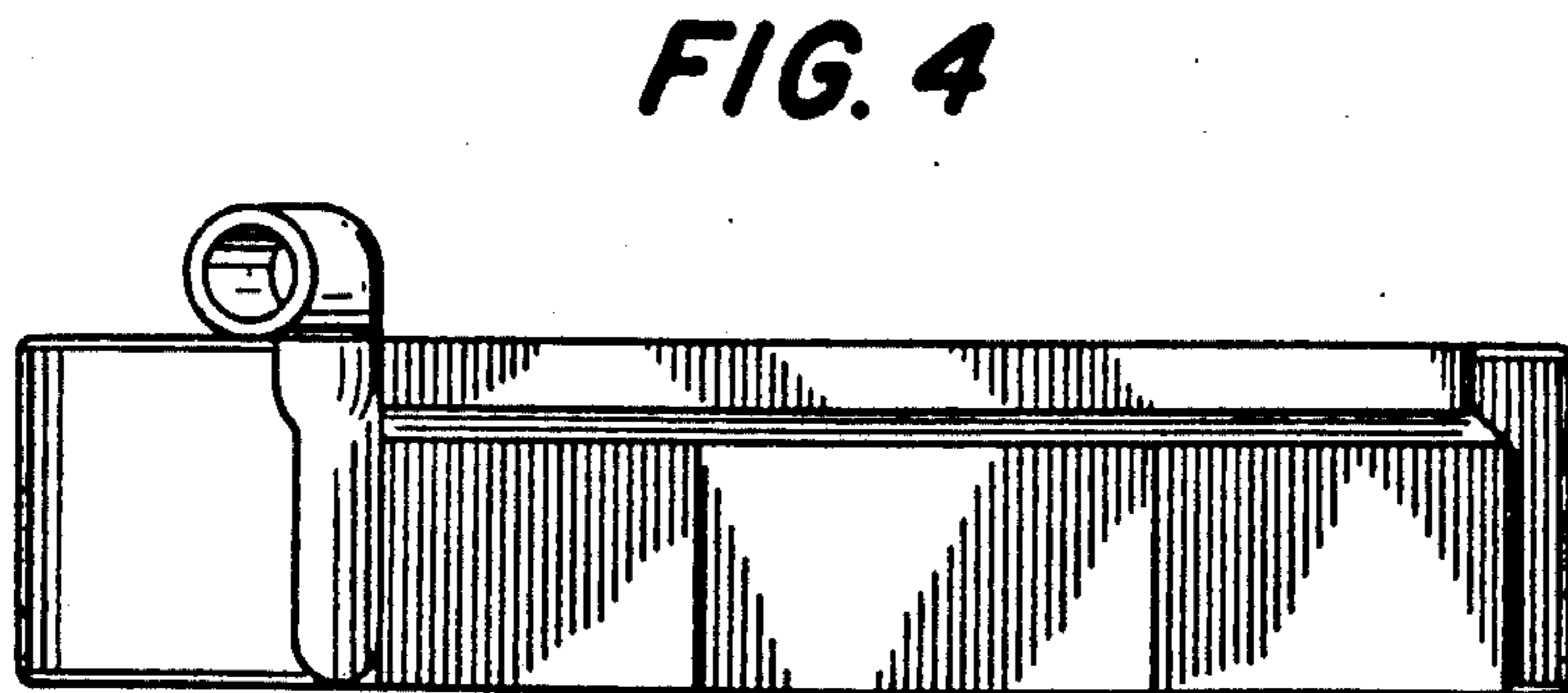


FIG. 4

FIG. 5

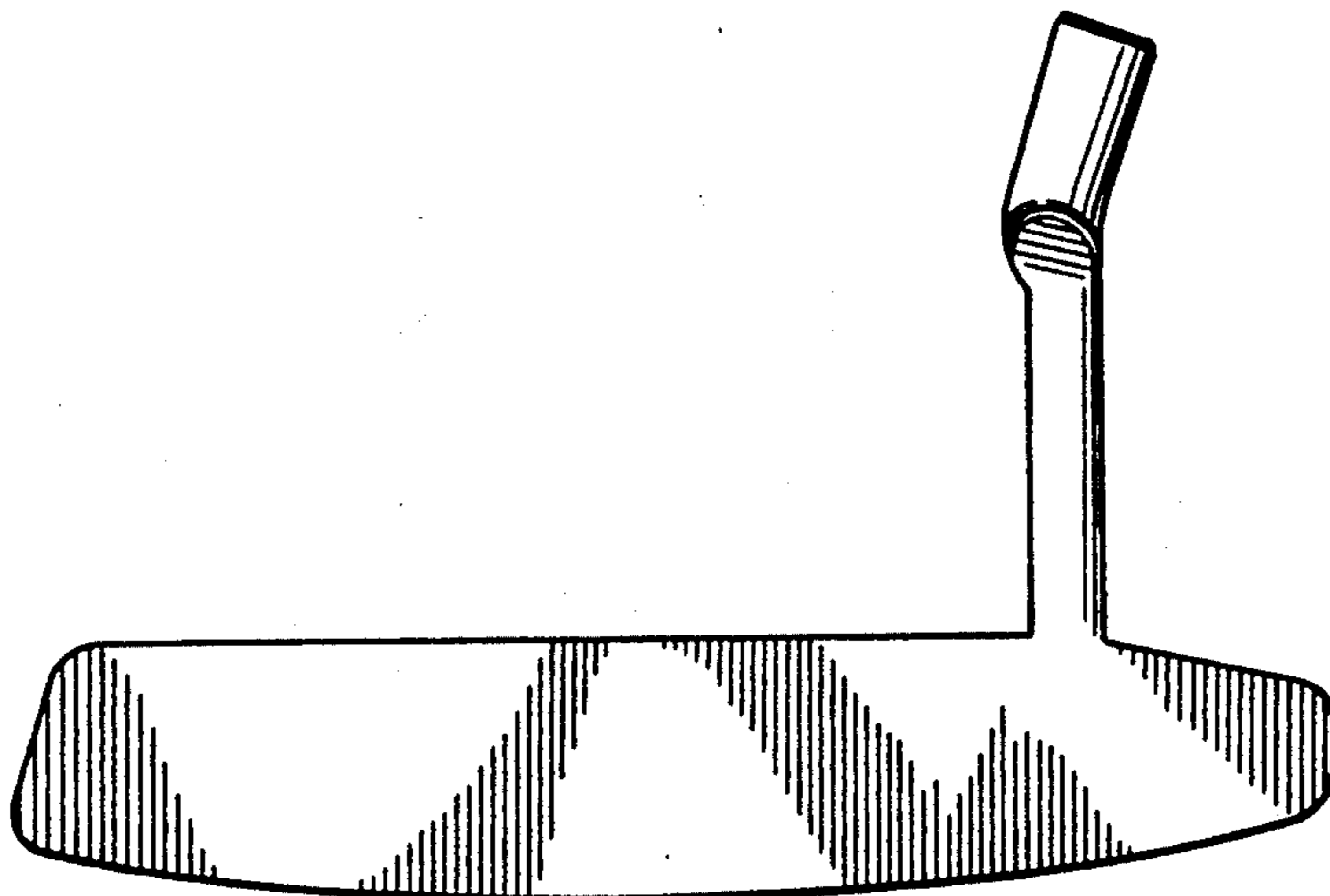


FIG. 6

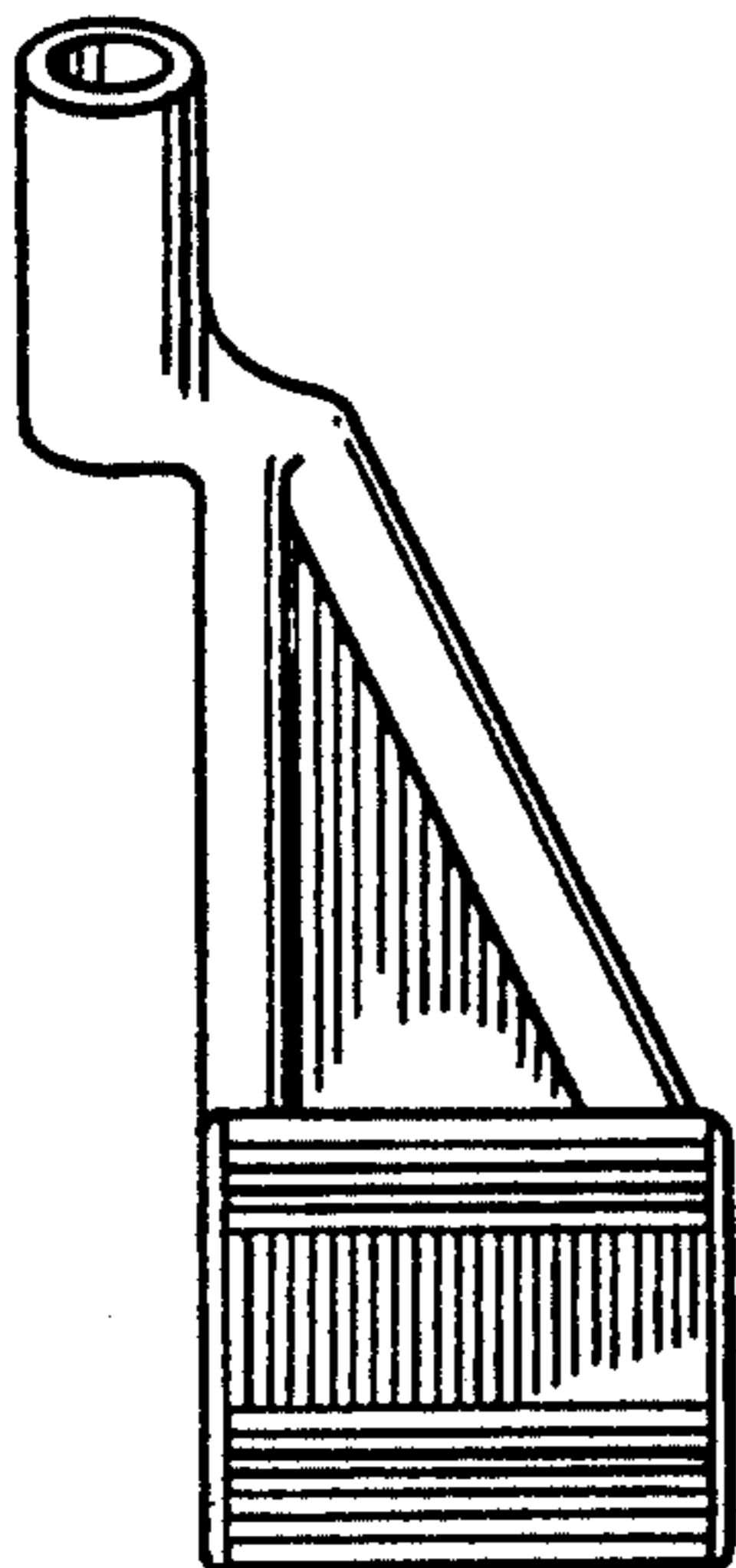


FIG. 7

