

[54] TOY CAR

[75] Inventor: Hiroyuki Yoshino, Shizuoka, Japan

[73] Assignee: Kabushiki Kaisha Tamiya Mokei, Shizuoka, Japan

[**] Term: 14 Years

[21] Appl. No.: 423,134

[22] Filed: Oct. 18, 1989

[52] U.S. Cl. D21/137

[58] Field of Search D21/136, 137; D12/86, D12/88; 446/444, 446, 454, 455, 456, 470

[56] References Cited

U.S. PATENT DOCUMENTS

D. 253,605	12/1979	Herd	D21/137
D. 255,810	7/1980	Bretschger	D21/137
D. 260,913	9/1981	Chapman	D12/88
D. 261,672	11/1981	Phillippe	D12/88
D. 268,940	5/1983	Head	D12/88

OTHER PUBLICATIONS

Monogram Catalog 1987, p. 43, #1136, Toy Fair '87.
Hong Kong Toys '88, p. 406, #99.
Hong Kong Toys '88, p. 242, #889.
Hong Kong Toys '88, p. 387, #92886.
Playthings, Sep. 1988, p. 59, "Magnum".
Hong Kong Toys '88, p. 556.

Primary Examiner—Charles A. Rademaker
Assistant Examiner—R. Barkai
Attorney, Agent, or Firm—Finnegan, Henderson, Farabow, Garrett & Dunner

[57] CLAIM

The ornamental design for a toy car, as shown and described.

DESCRIPTION

FIG. 1 is a perspective view of a toy car showing my new design;
FIG. 2 is a front elevational view thereof;
FIG. 3 is a rear elevational view thereof;
FIG. 4 is a top plan view thereof;
FIG. 5 is a bottom plan view thereof;
FIG. 6 is a right side elevational view thereof; and
FIG. 7 is a left side elevational view thereof.

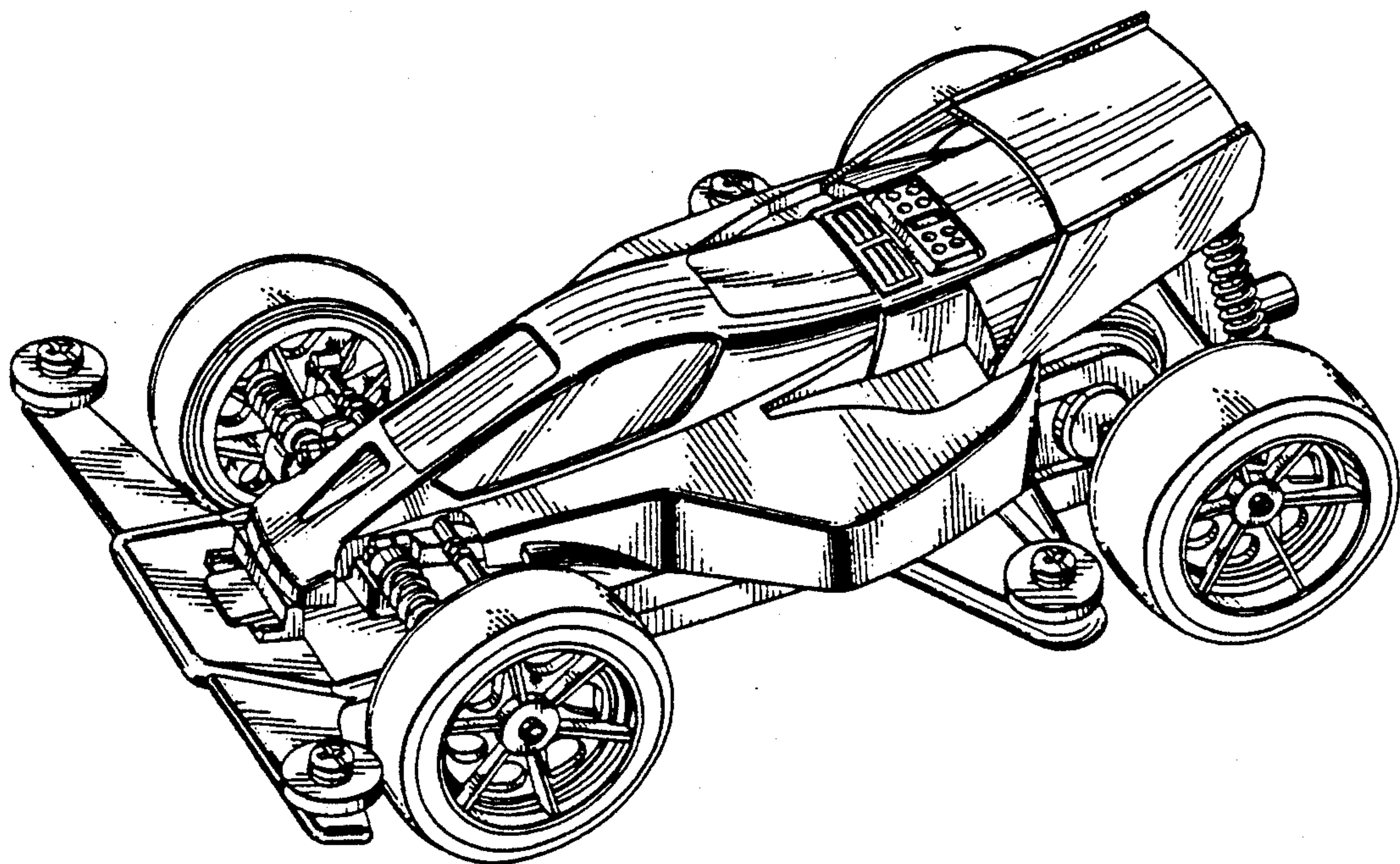
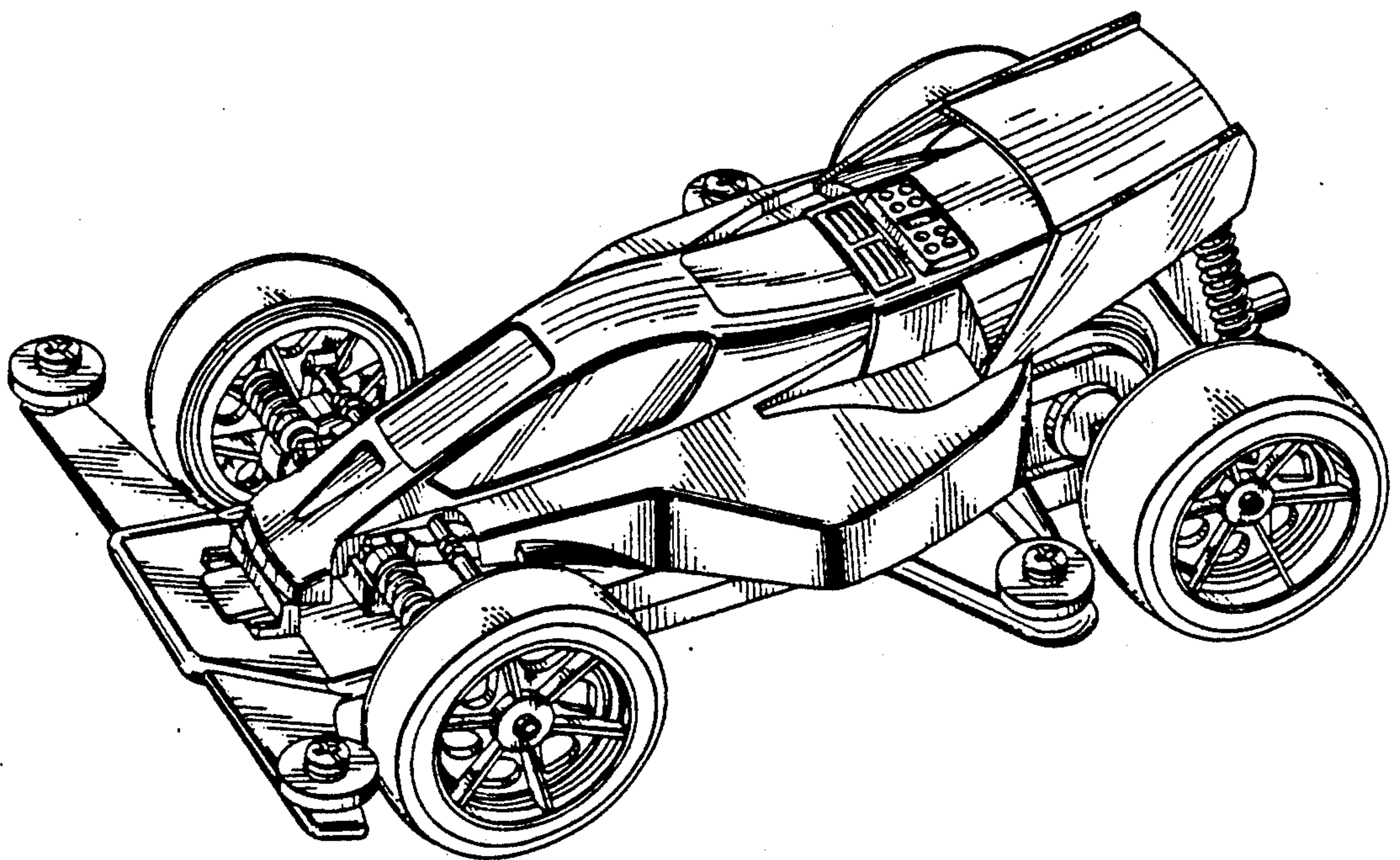


FIG. 1



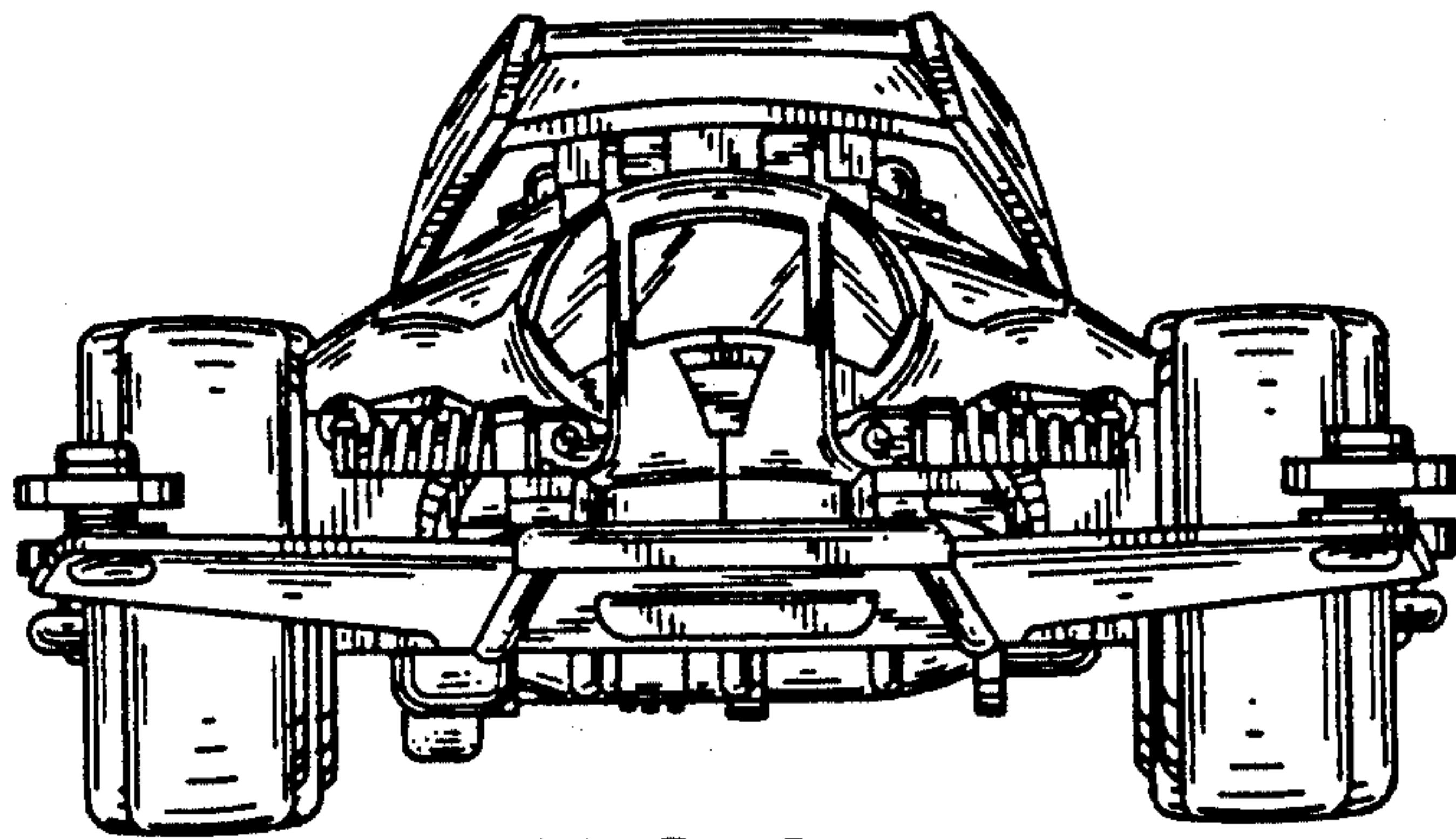


FIG. 2

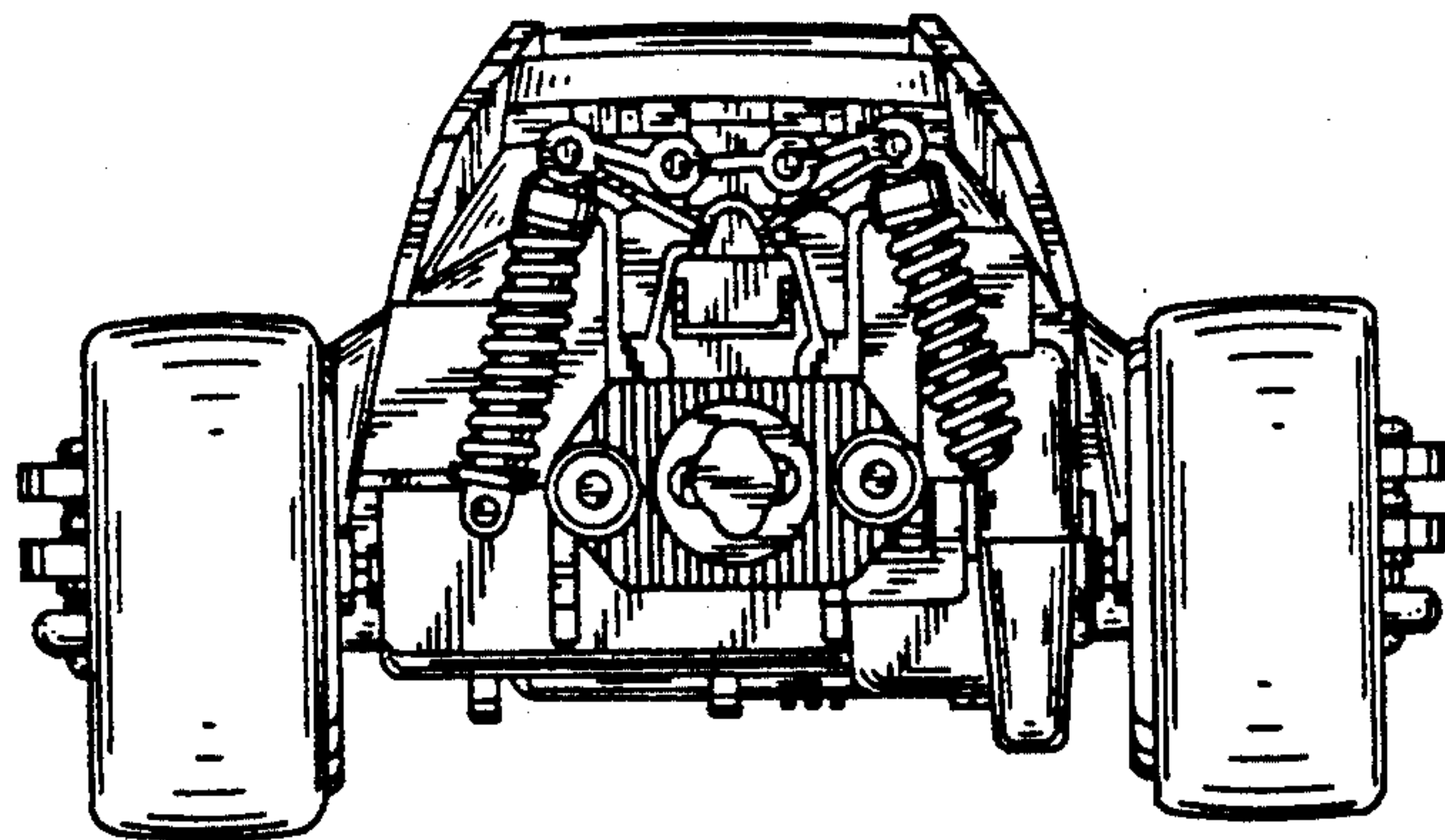


FIG. 3

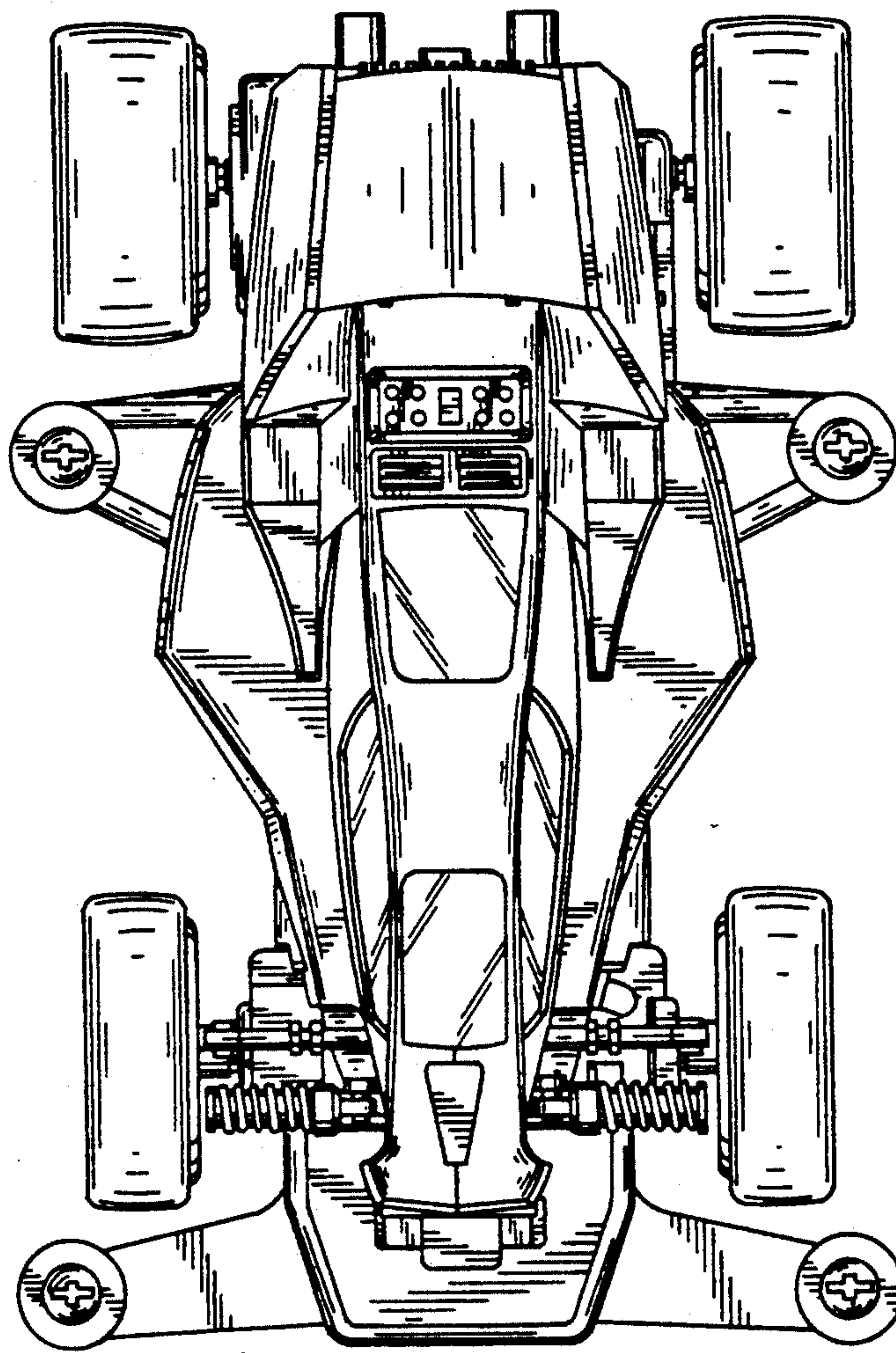


FIG. 4

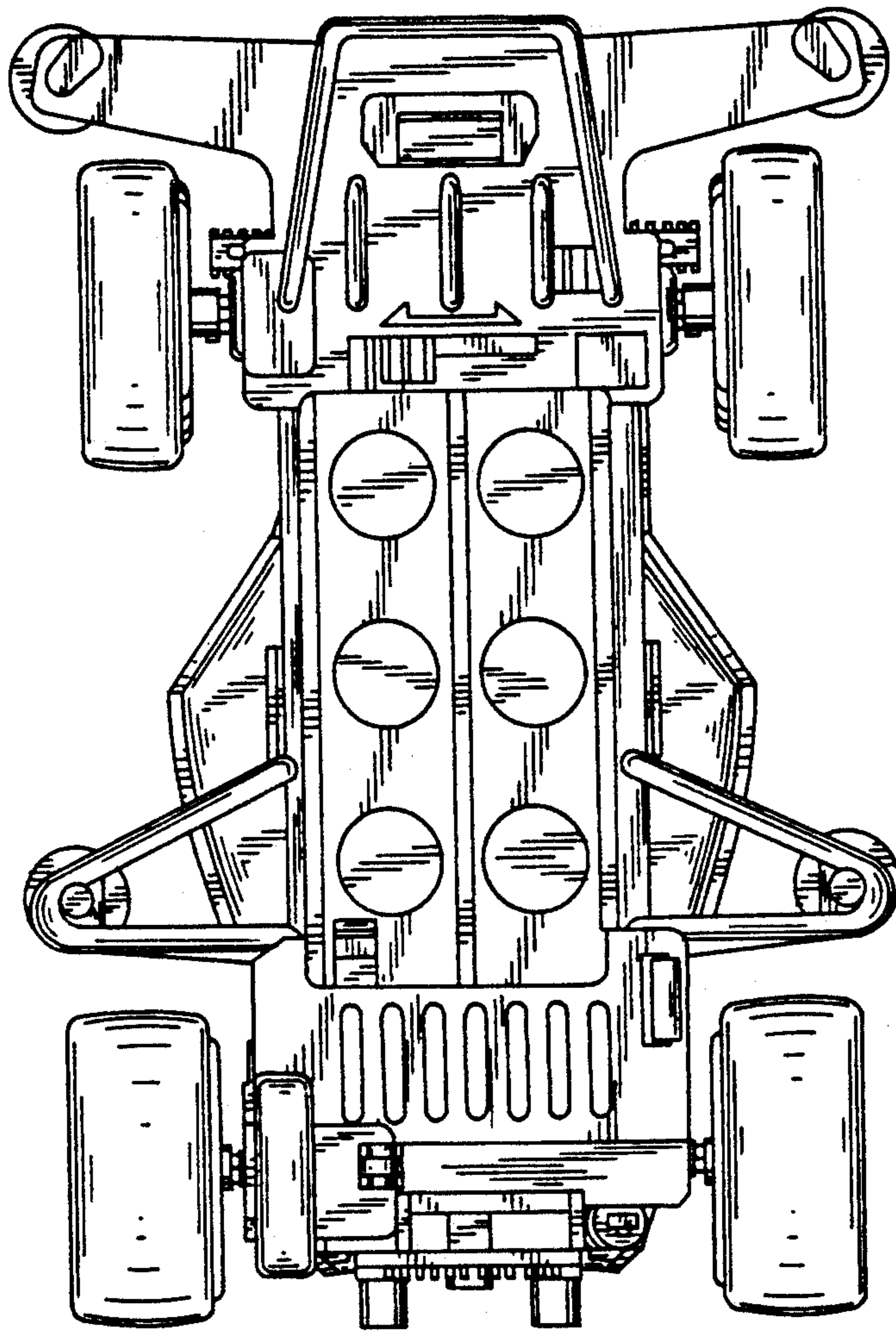


FIG. 5

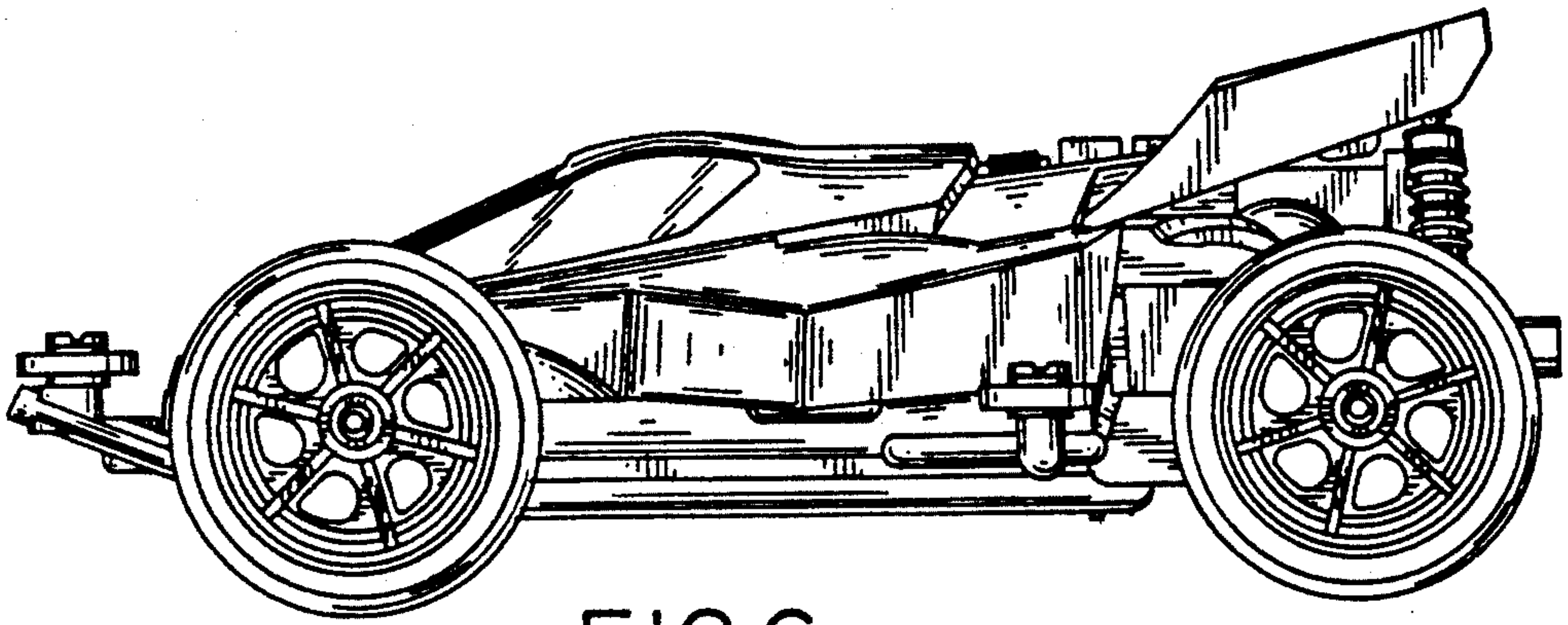


FIG. 6

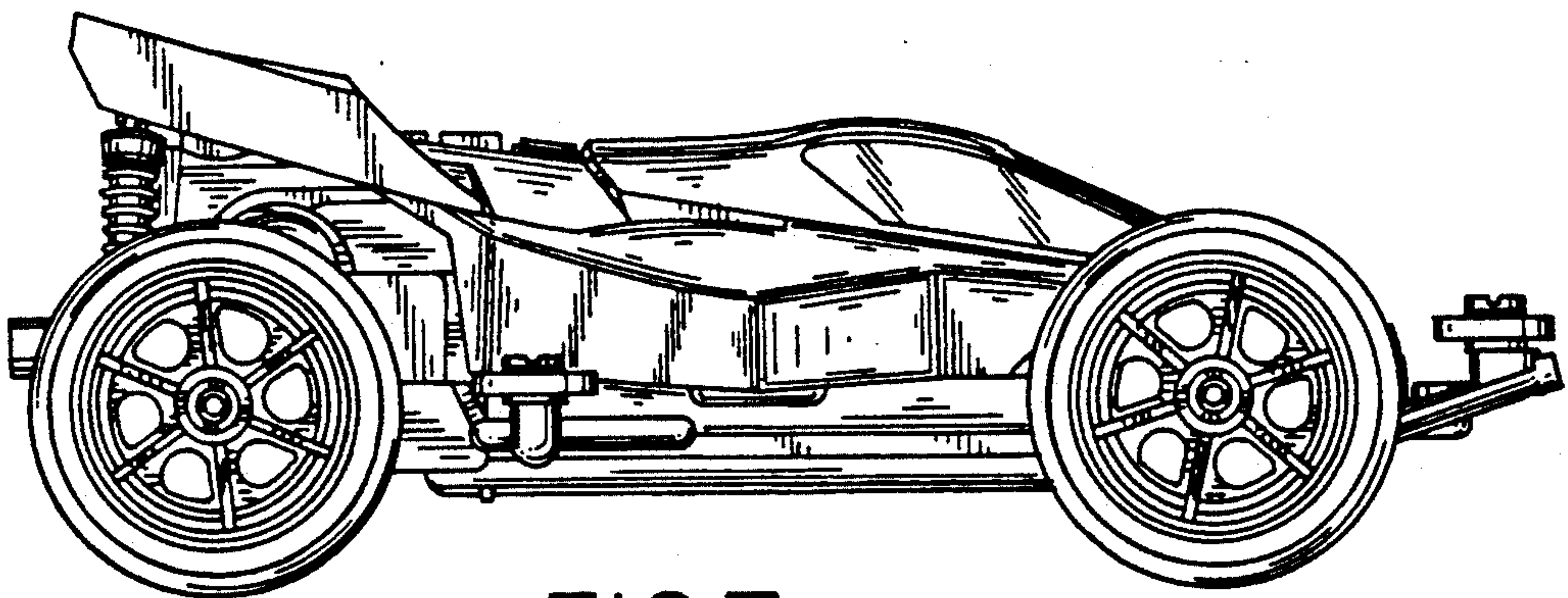


FIG. 7