

[54] **HAND-HELD ELECTRONIC GAME**

[75] **Inventor: Shin Kojo, Kyoto, Japan**

[73] **Assignee: Nintendo Co., Ltd., Japan**

[**] **Term: 14 Years**

[21] **Appl. No.: 371,021**

[22] **Filed: Jun. 26, 1989**

[30] **Foreign Application Priority Data**

Dec. 26, 1988 [JP] Japan 63-50659

[52] **U.S. Cl. D21/13**

[58] **Field of Search D21/13, 1; 273/DIG. 28, 273/1 E, 1 ES, 85 G, 237, 1 GC, 148 B**

[56] **References Cited**

U.S. PATENT DOCUMENTS

D. 265,407	7/1987	Hazawa	D21/13
D. 265,571	7/1982	Nagel	D21/13
D. 269,980	8/1983	Longo	D21/13
4,341,383	7/1982	Reichert	273/85 G
4,391,444	7/1983	Bromley	273/85 G X
4,890,832	1/1990	Komaki	273/85 G X

OTHER PUBLICATIONS

Mattel Electronics, 1977, front page as shown.
 Atari Games, Aug. 1980, p. 29, Bandai Super Invader, center of the page.

Primary Examiner—Bernard Ansher
Assistant Examiner—Prabhakar Deshmukh
Attorney, Agent, or Firm—Nixon & Vanderhye

[57] **CLAIM**

The ornamental design for a hand-held electronic game, as shown and described.

DESCRIPTION

FIG. 1 is a front perspective view of a hand-held electronic game showing my new design;
 FIG. 2 is a rear perspective view thereof;
 FIG. 3 is a top plan view thereof;
 FIG. 4 is a bottom plan view thereof;
 FIG. 5 is a front elevation thereof;
 FIG. 6 is a rear elevation thereof;
 FIG. 7 is a right side elevation thereof;
 FIG. 8 is a left side elevation thereof;
 FIG. 9 is a rear perspective view thereof; with the cartridge insert;
 FIG. 10 is a front perspective view of a second embodiment of FIG. 1;
 FIG. 11 is a front perspective view of a third embodiment of FIG. 1;
 FIG. 12 is a front perspective view of a fourth embodiment of FIG. 1;
 FIG. 13 is a rear perspective view of FIG. 12;
 FIG. 14 is a front perspective view of a fifth embodiment of FIG. 1;
 FIG. 15 is a front perspective view of a sixth embodiment of FIG. 1;
 FIG. 16 is a front perspective view of a seventh embodiment of FIG. 1;
 FIG. 17 is a front perspective view of a eighth embodiment of FIG. 1;
 FIG. 18 is a front perspective view of a ninth embodiment of FIG. 1; and
 FIG. 19 is a front perspective view of a tenth embodiment of FIG. 1.
 The broken line showing of a cartridge in FIG. 9 is for illustrative purposes only and forms no part of the claim. The rear perspective view of FIGS. 10, 11, 14 through 19 is similar to as shown in FIG. 2.

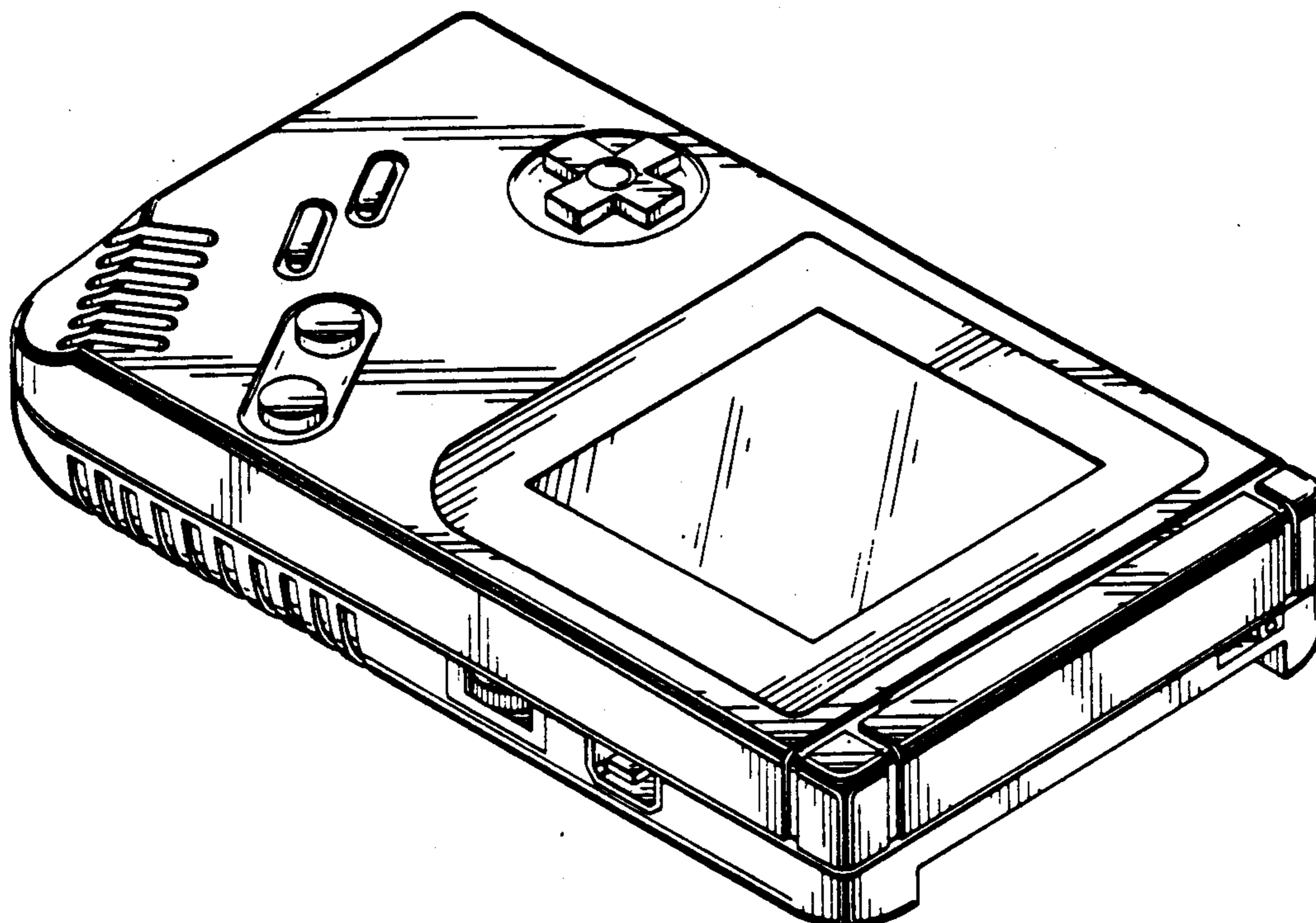
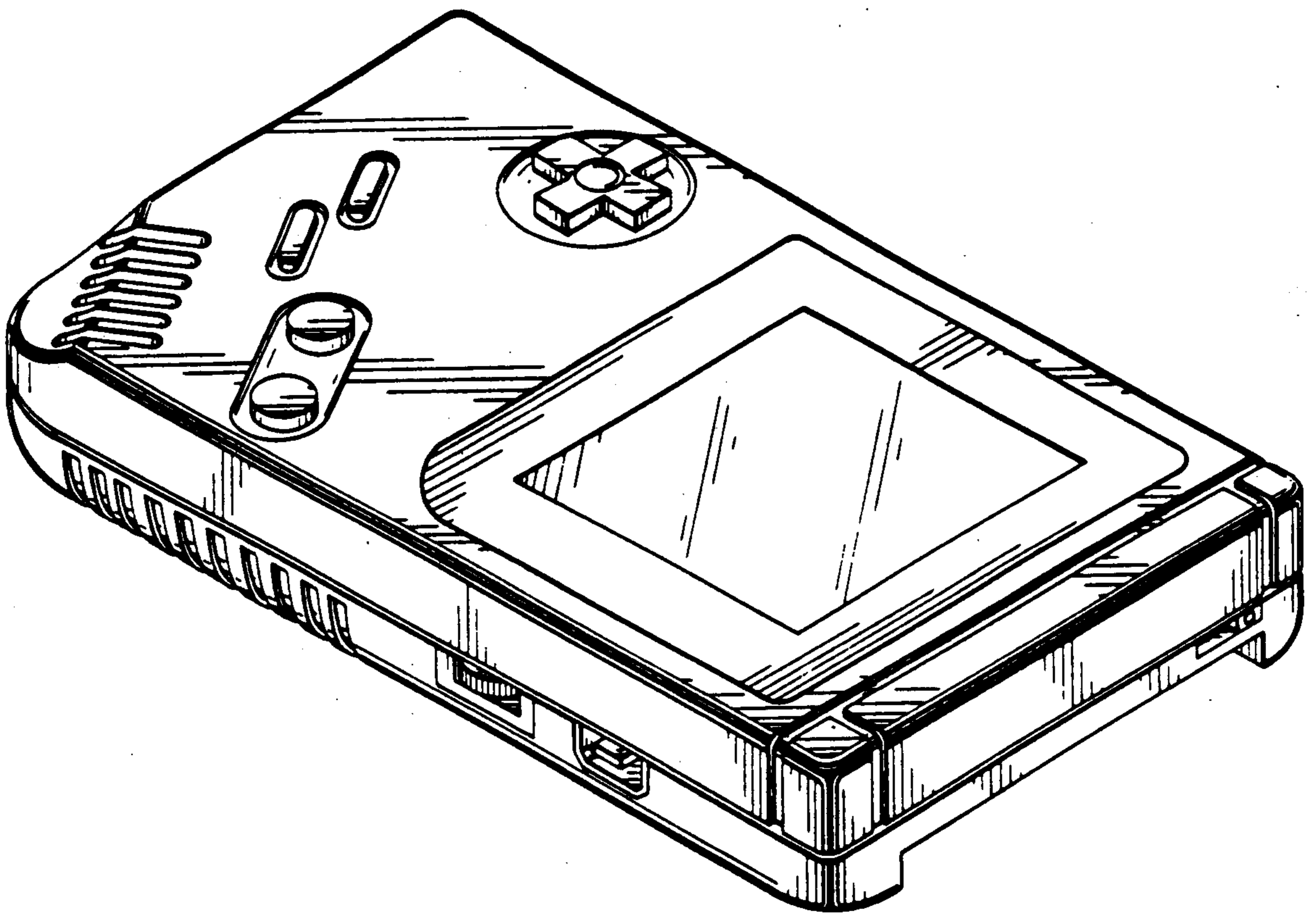


FIG. 1



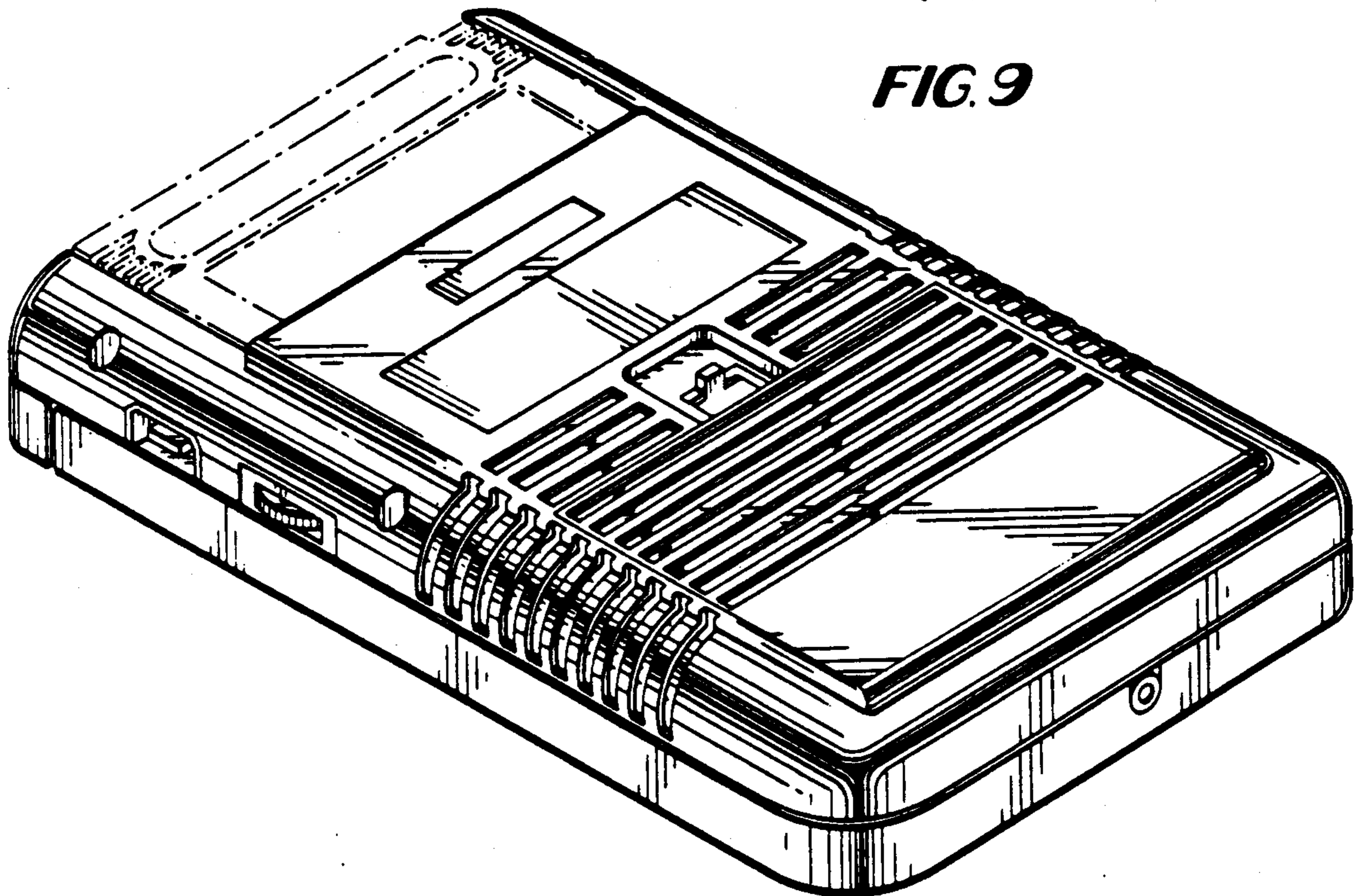
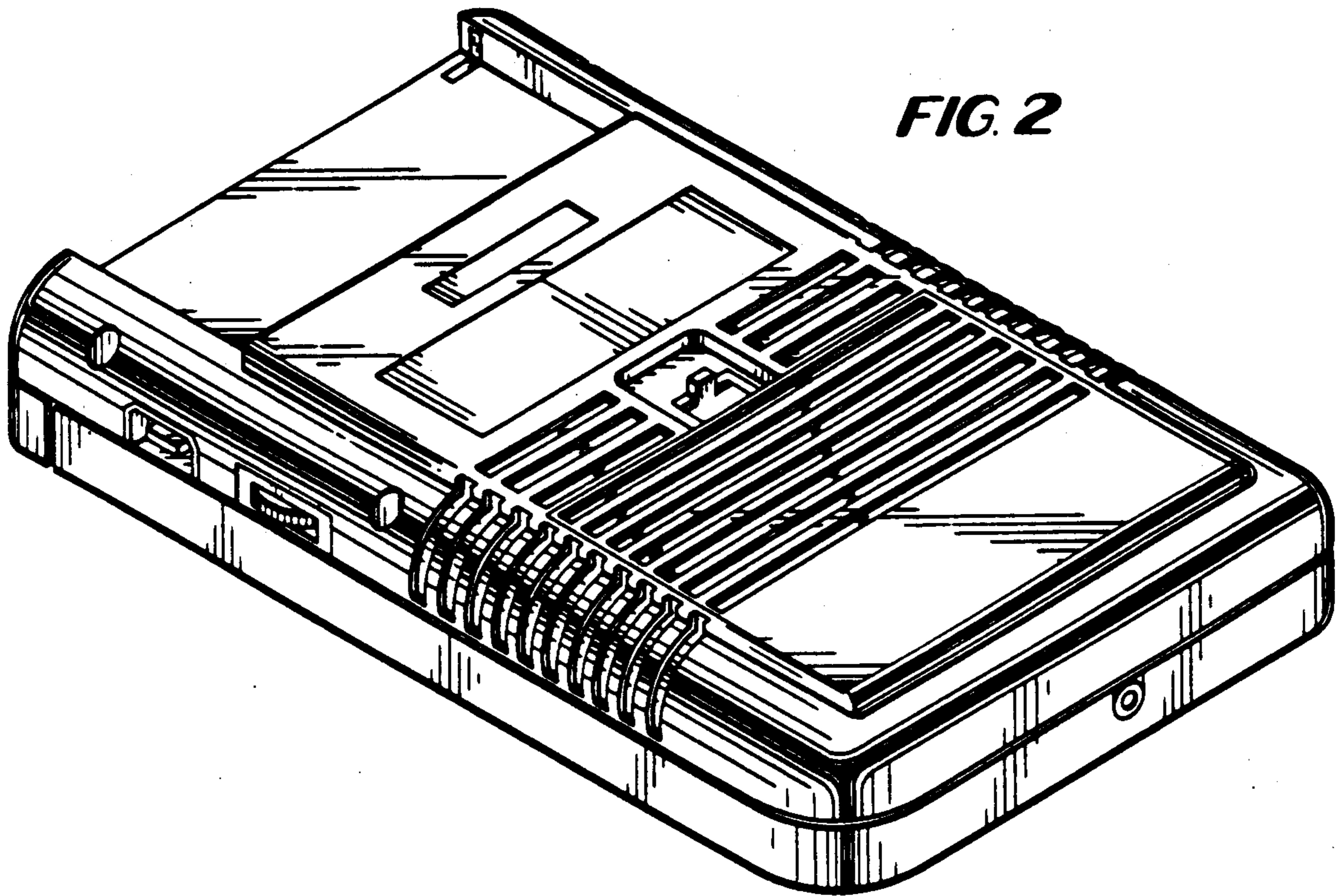


FIG. 3

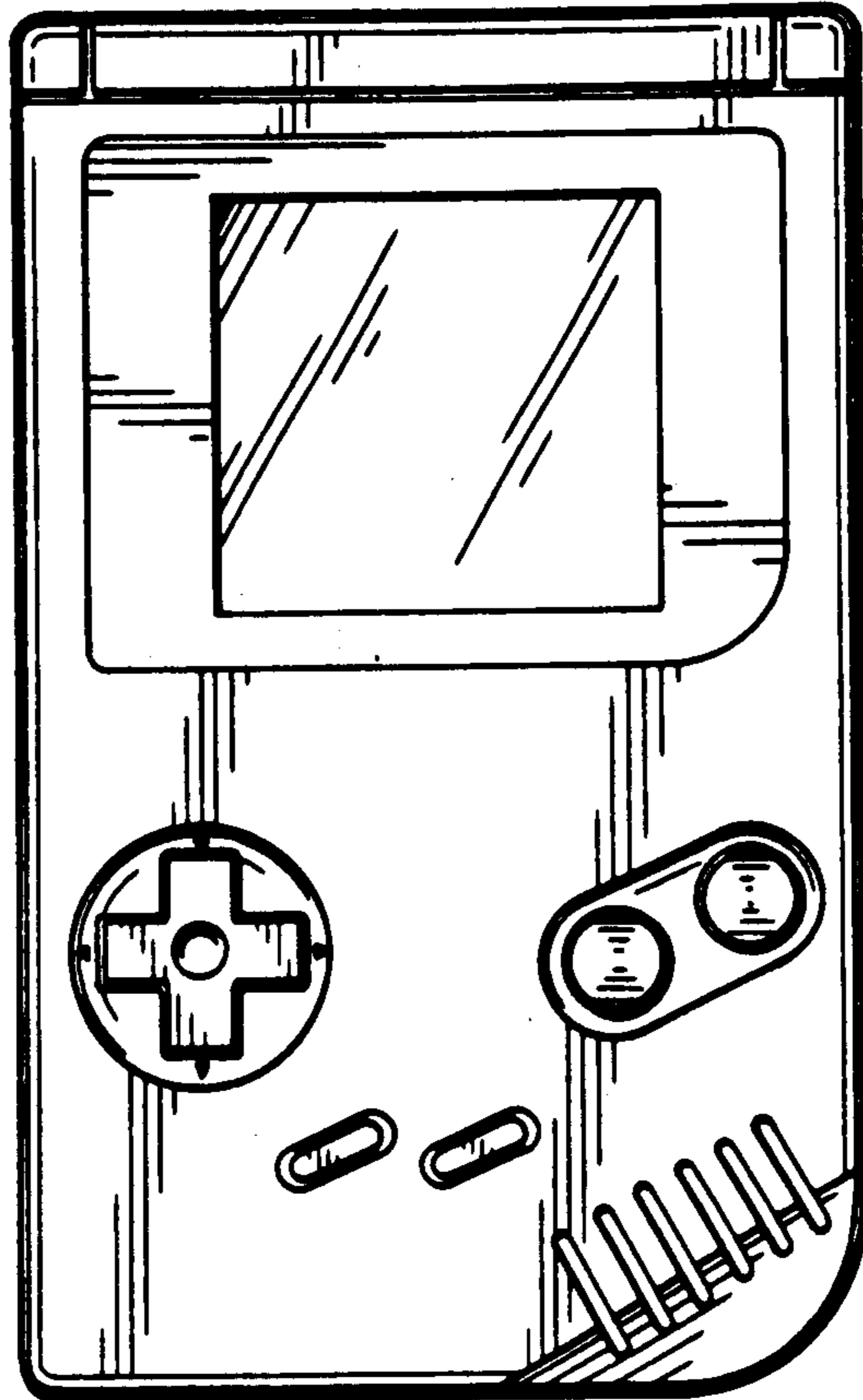


FIG. 4

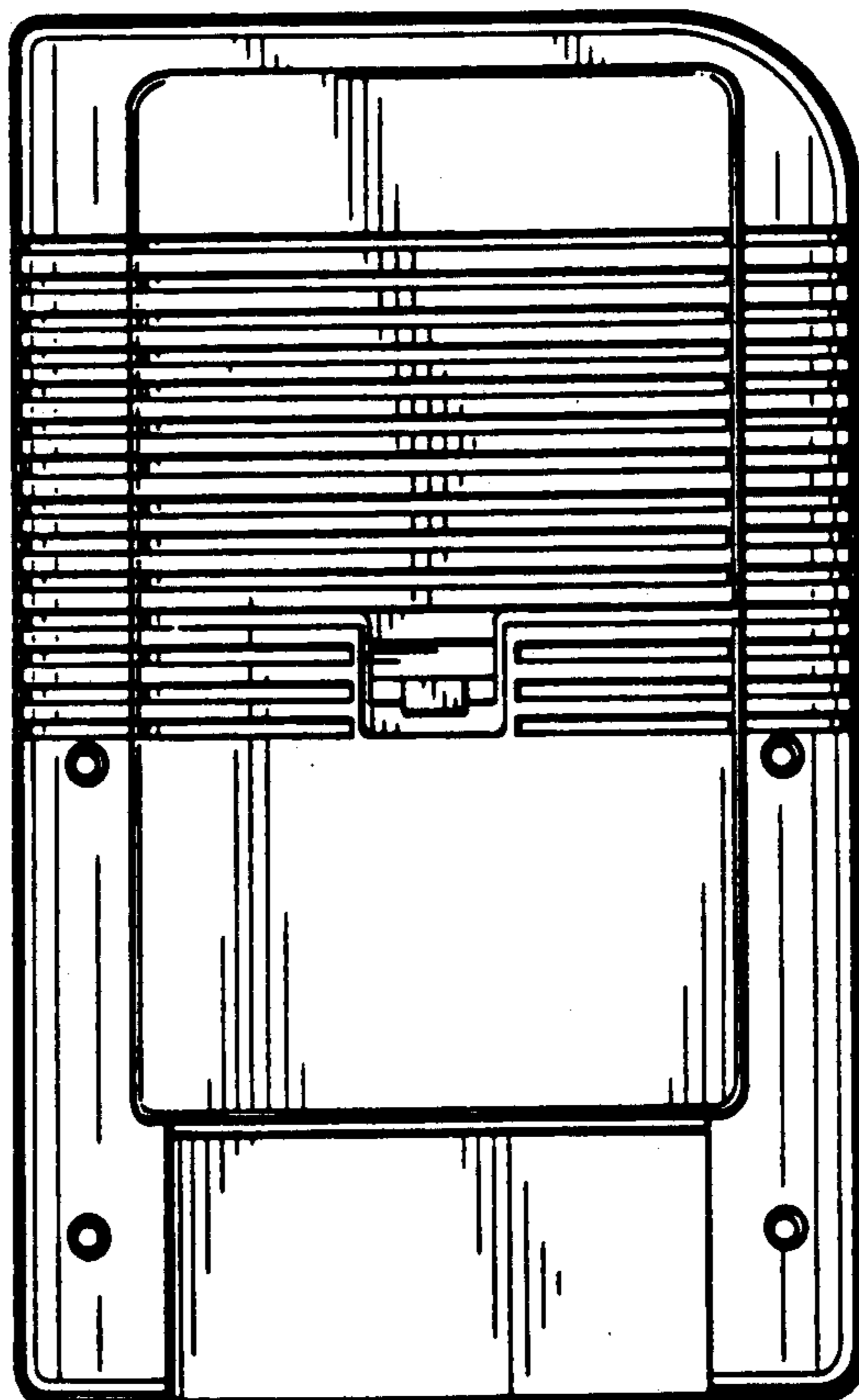


FIG. 5

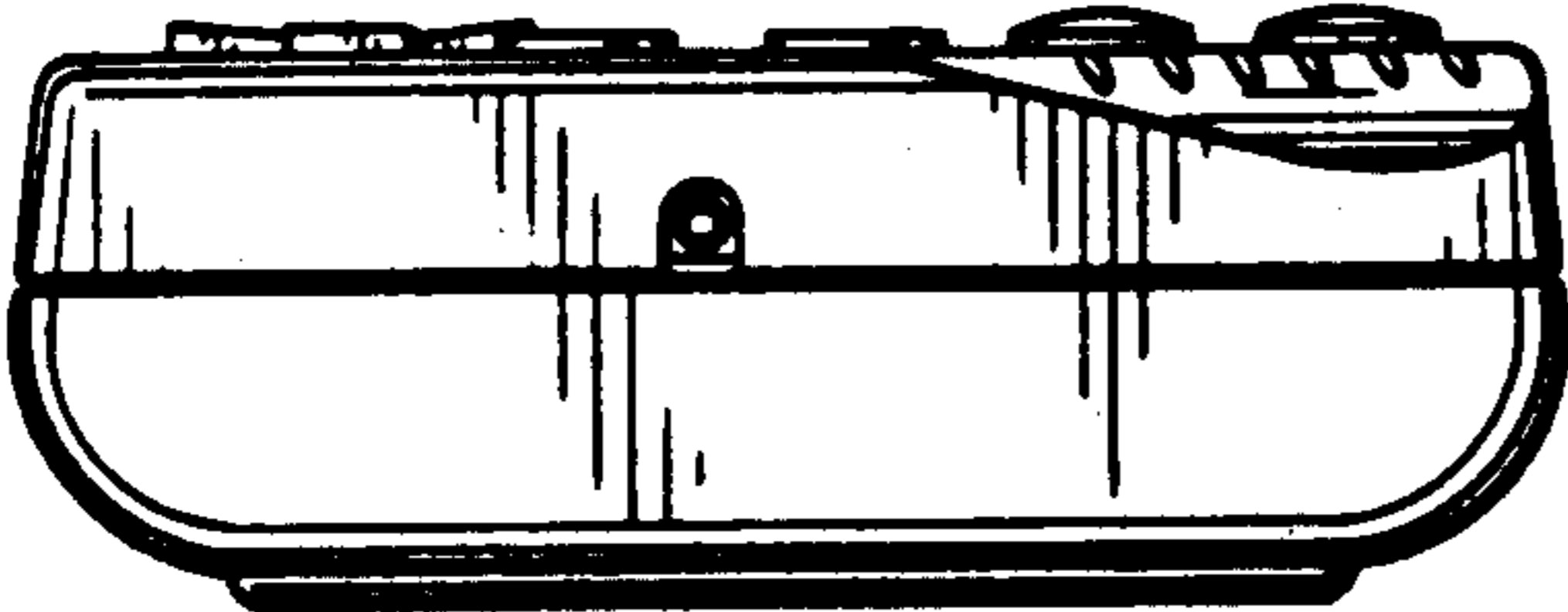


FIG. 6

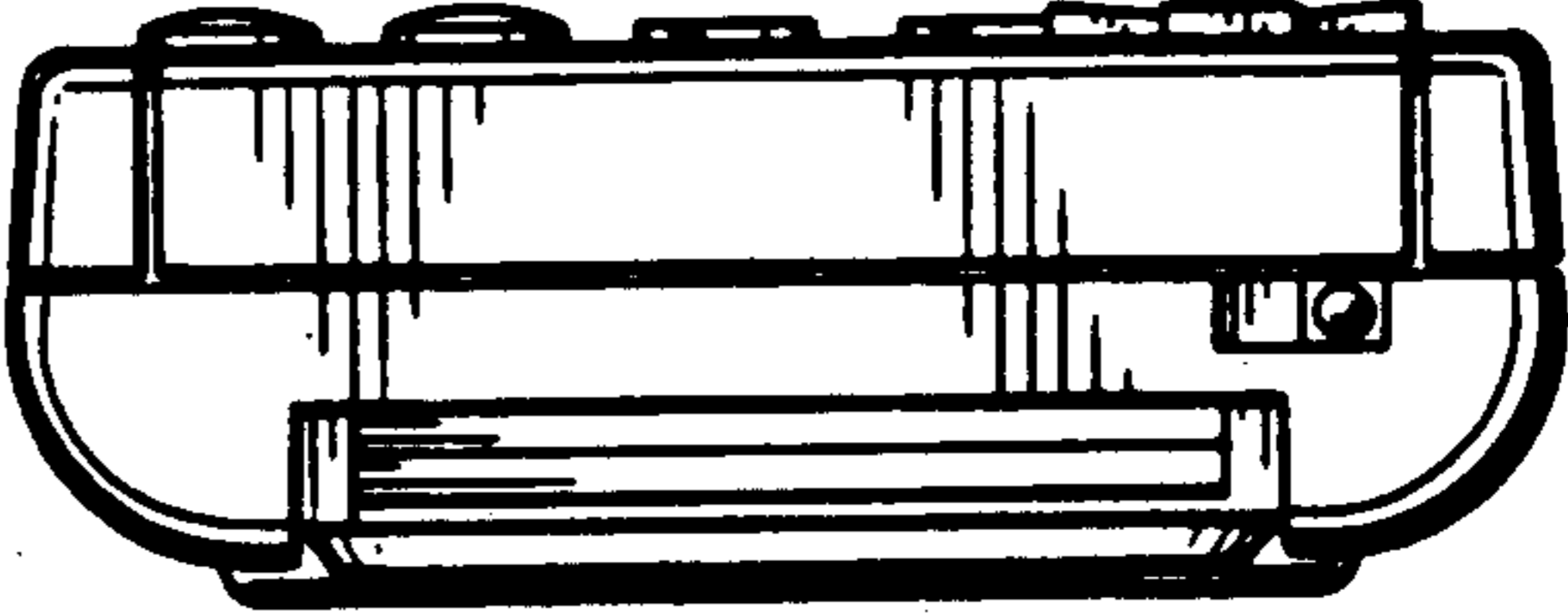


FIG. 7

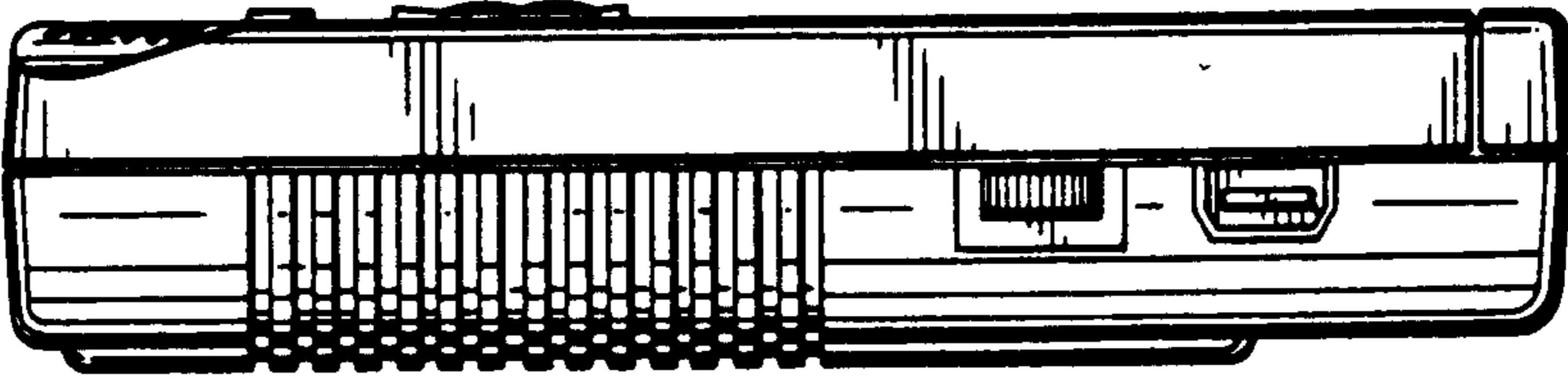
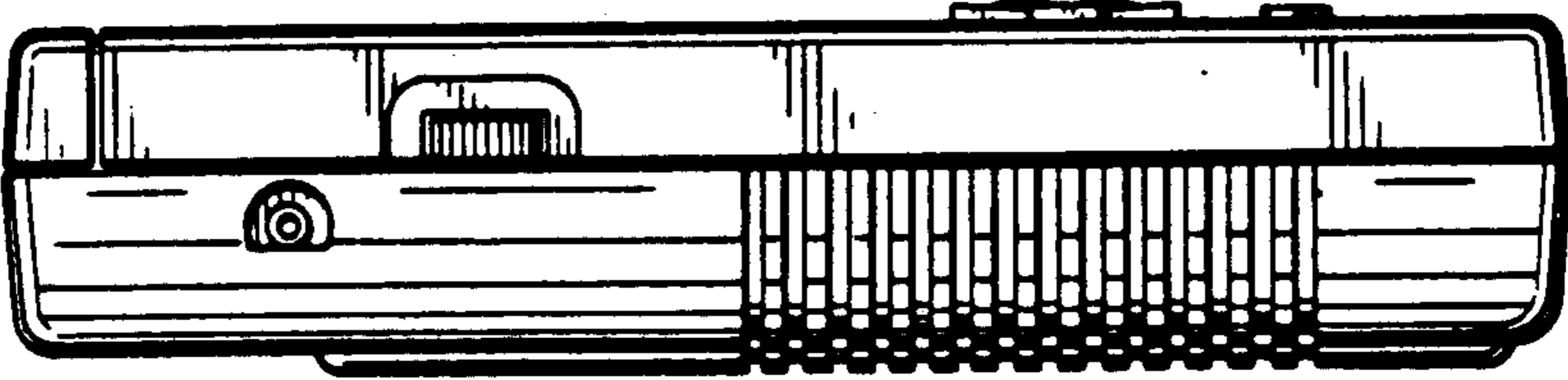


FIG. 8



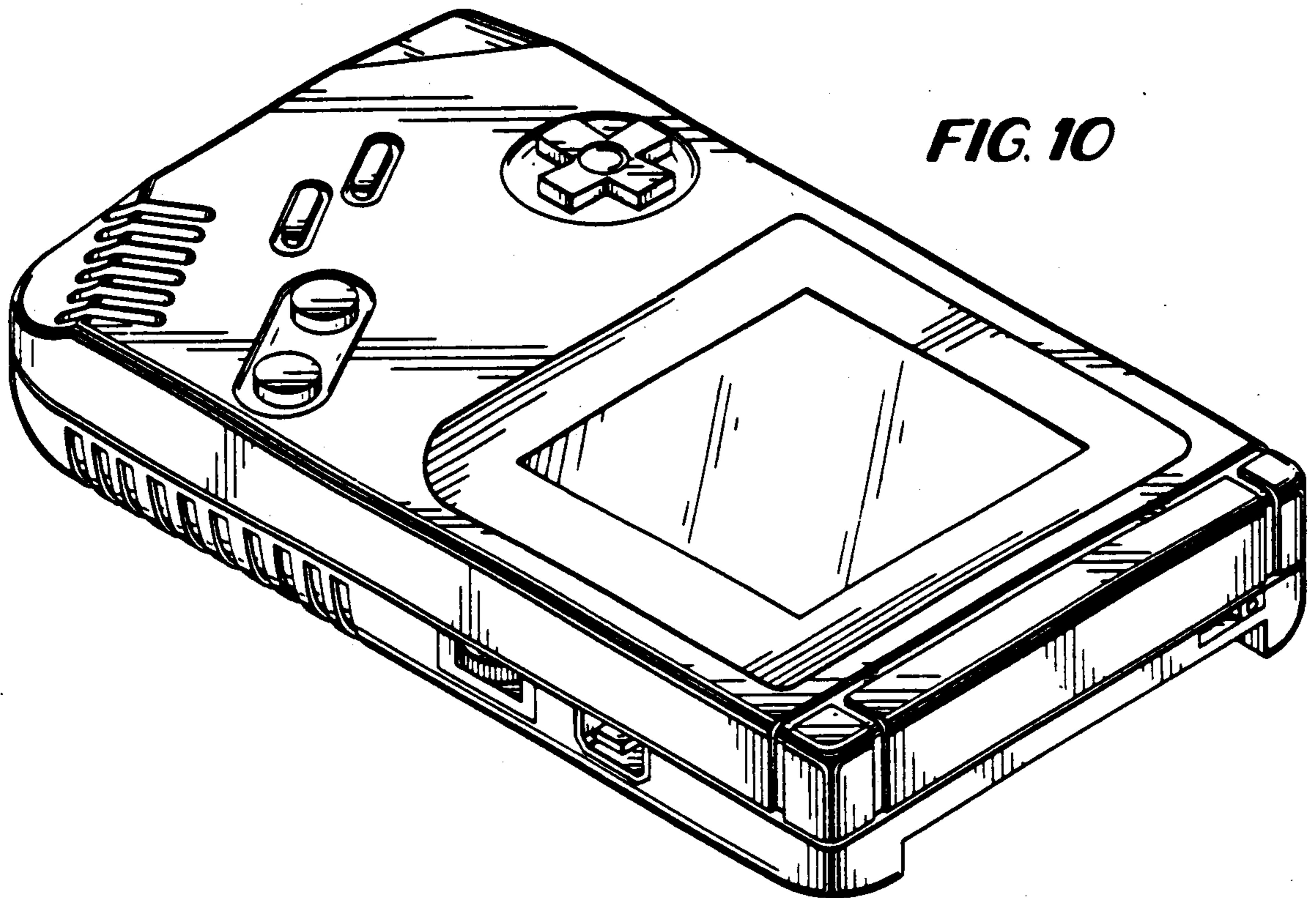


FIG. 10

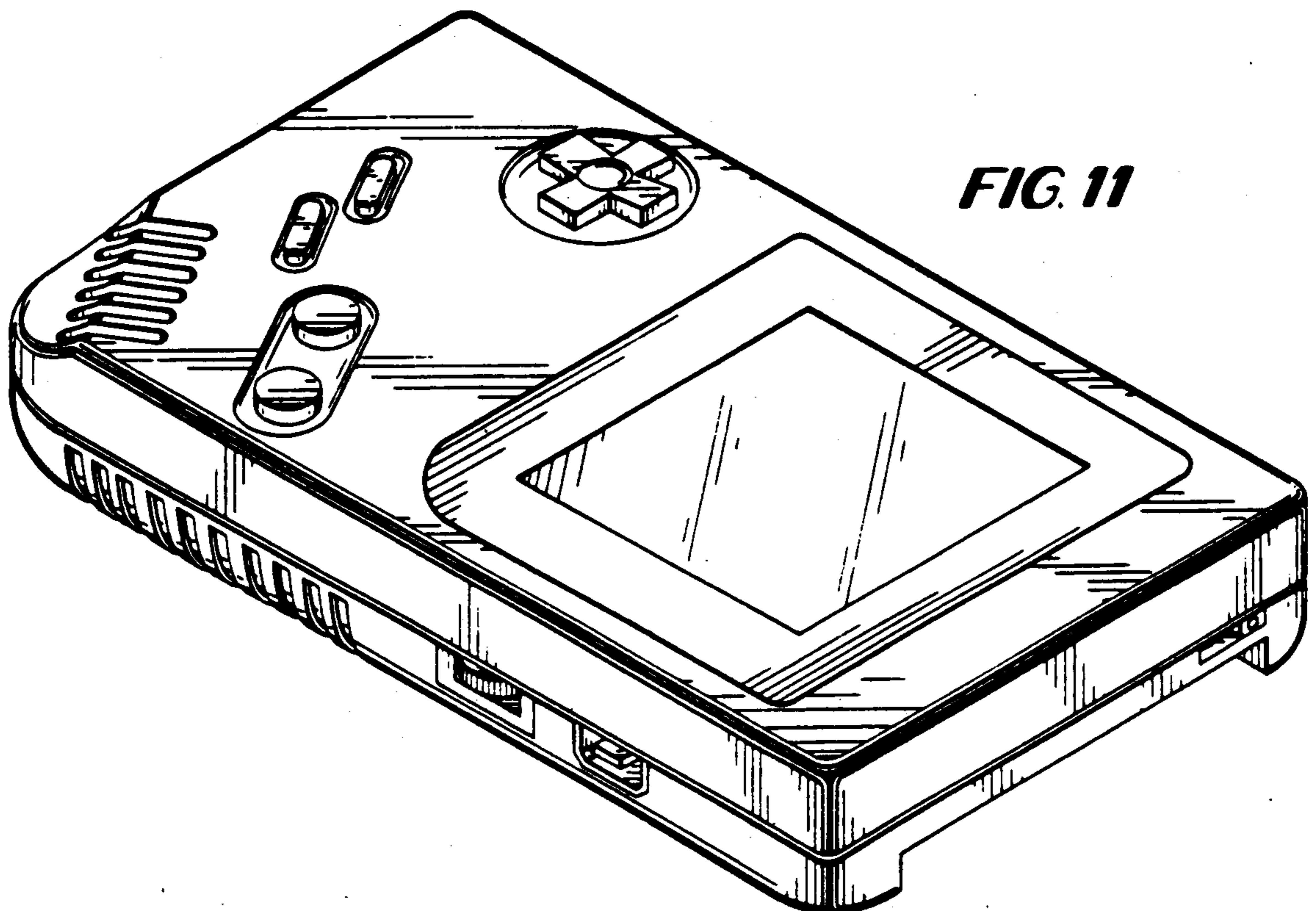
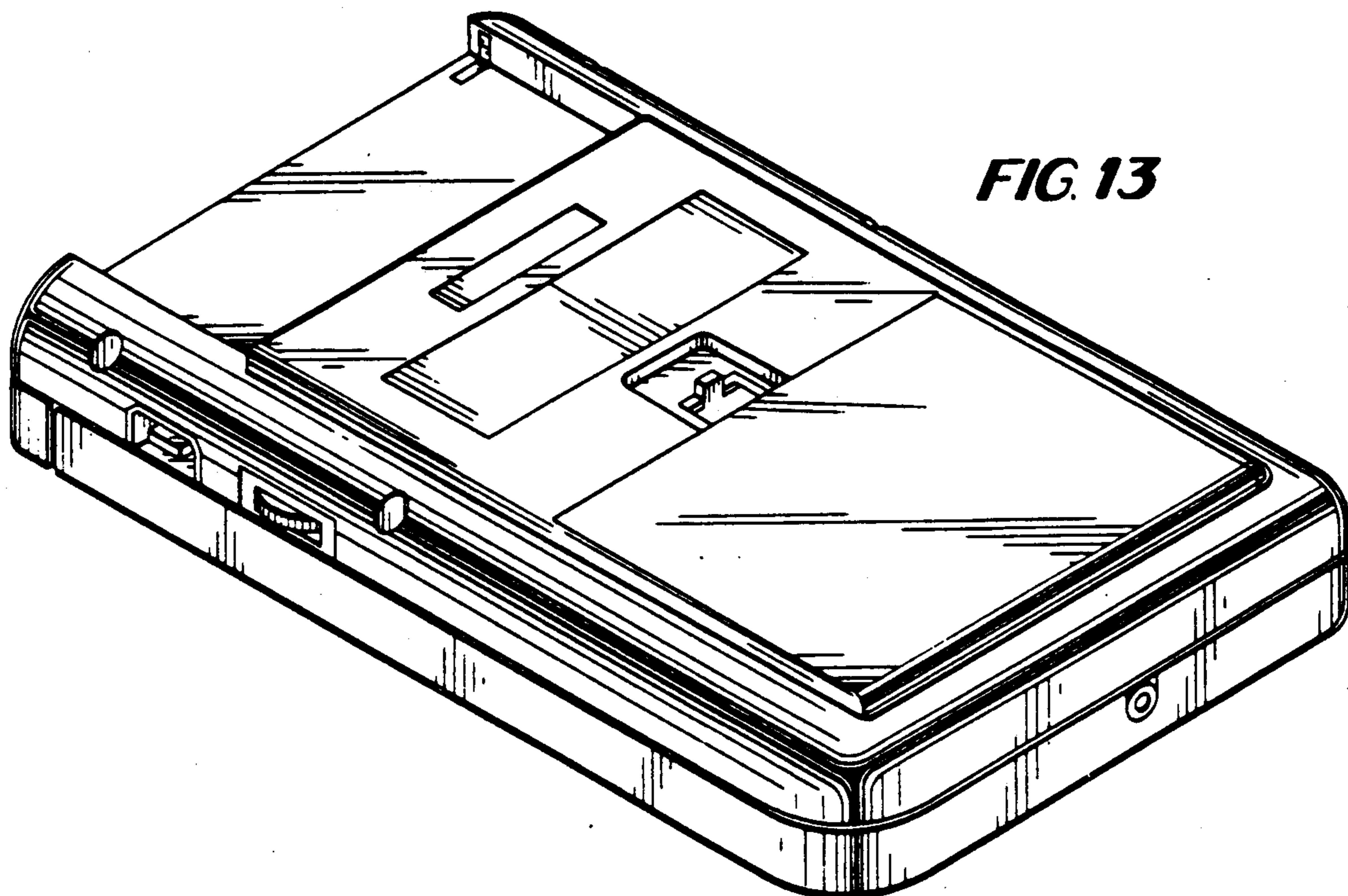
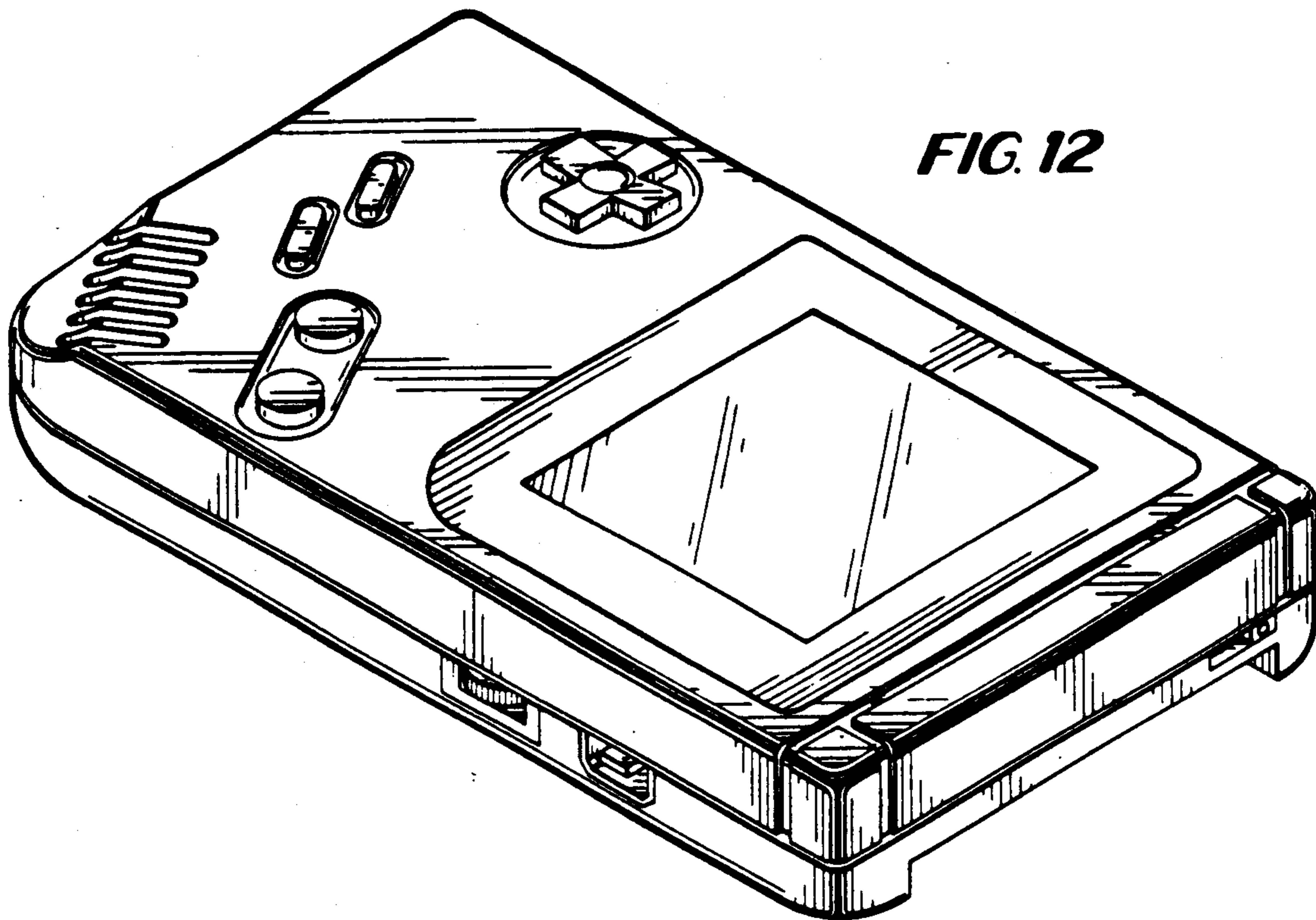


FIG. 11



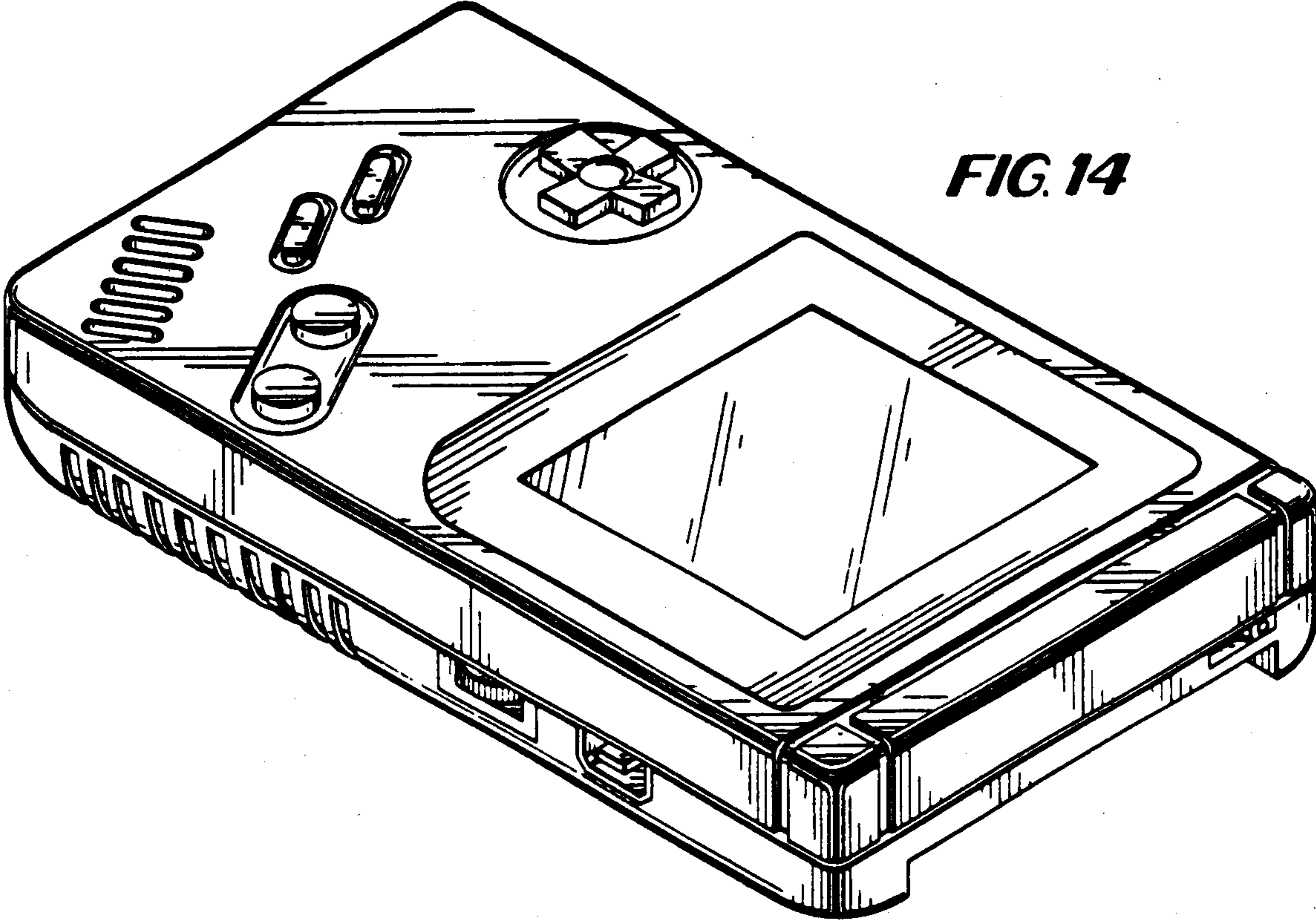


FIG. 14

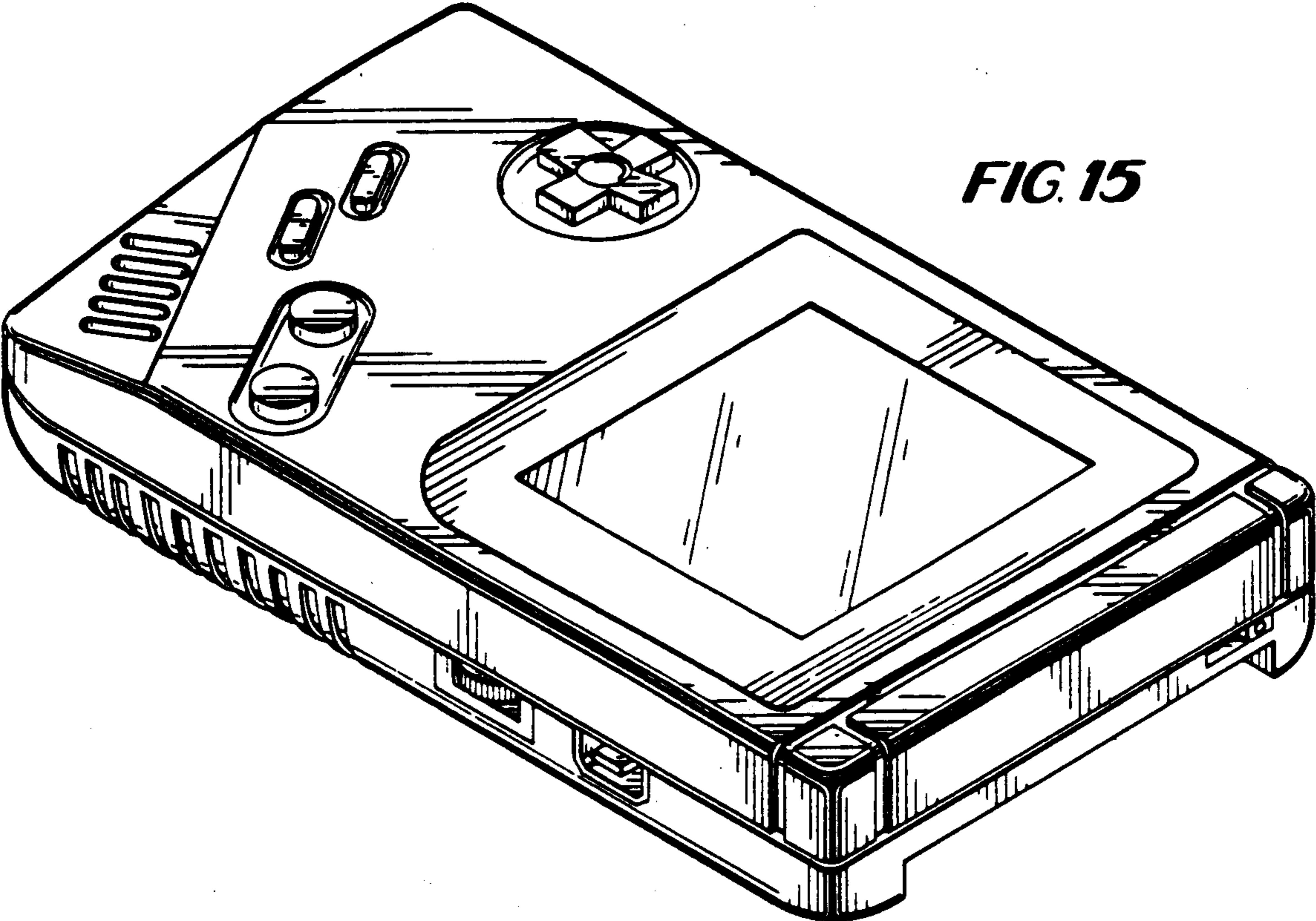
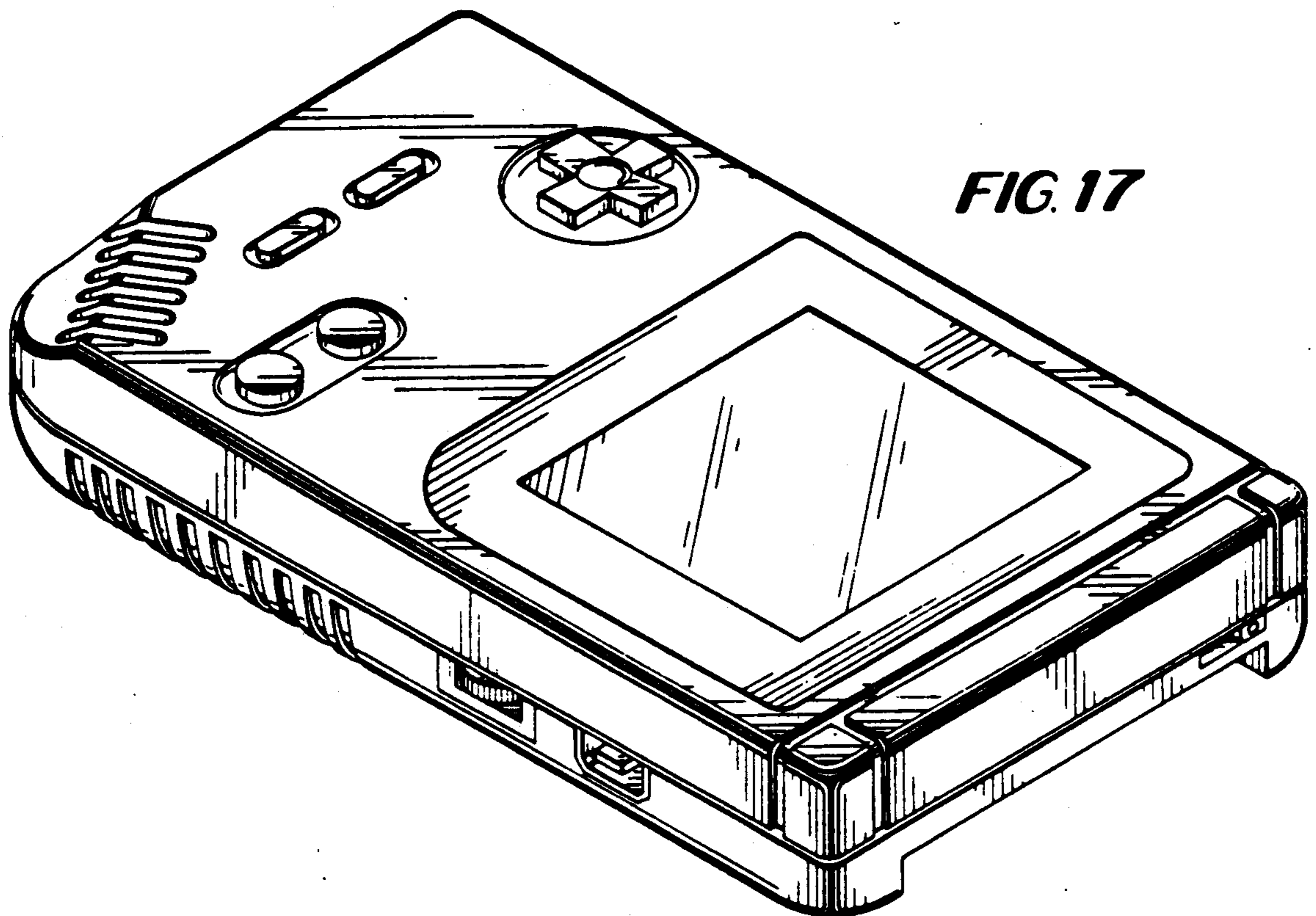
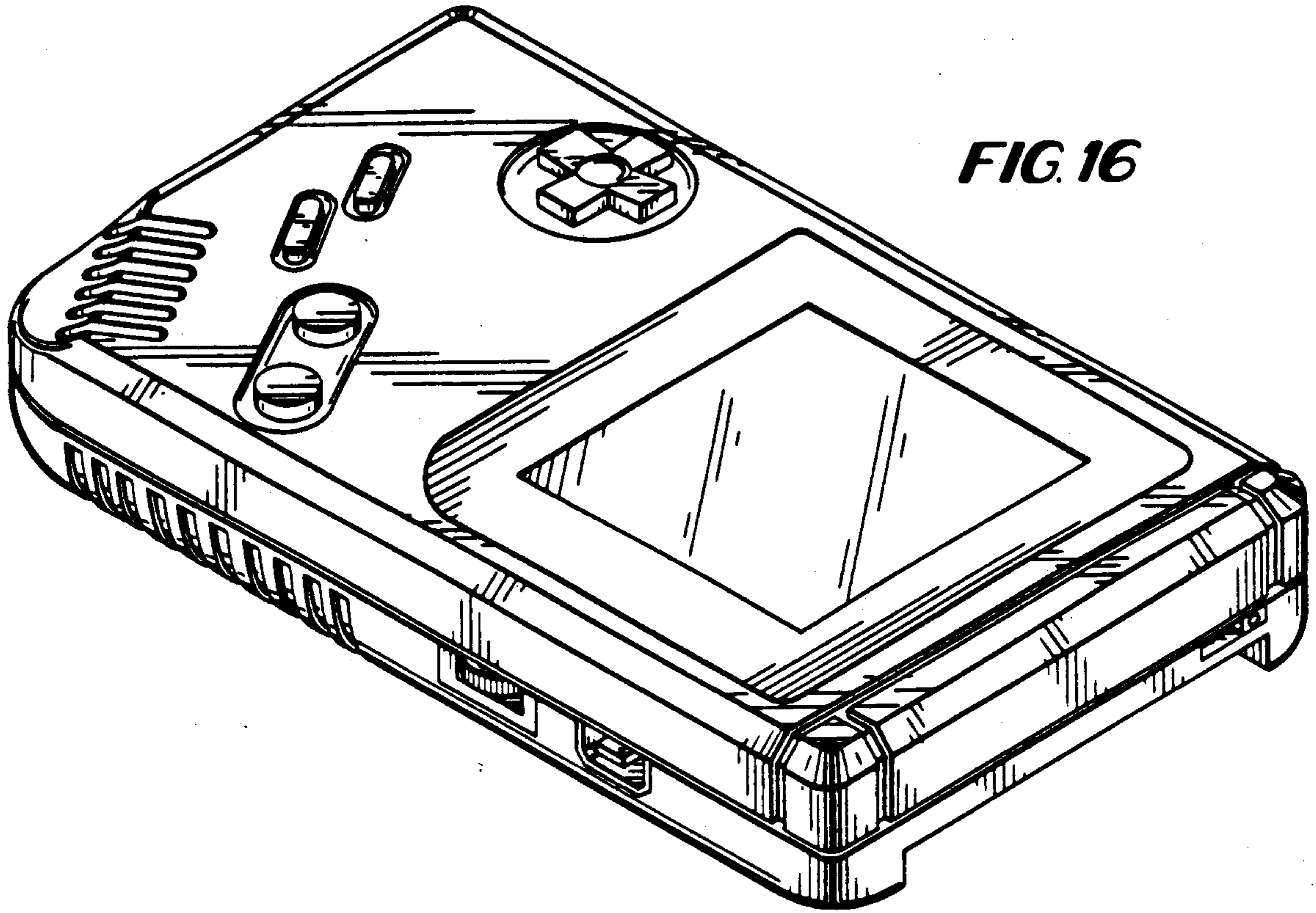


FIG. 15



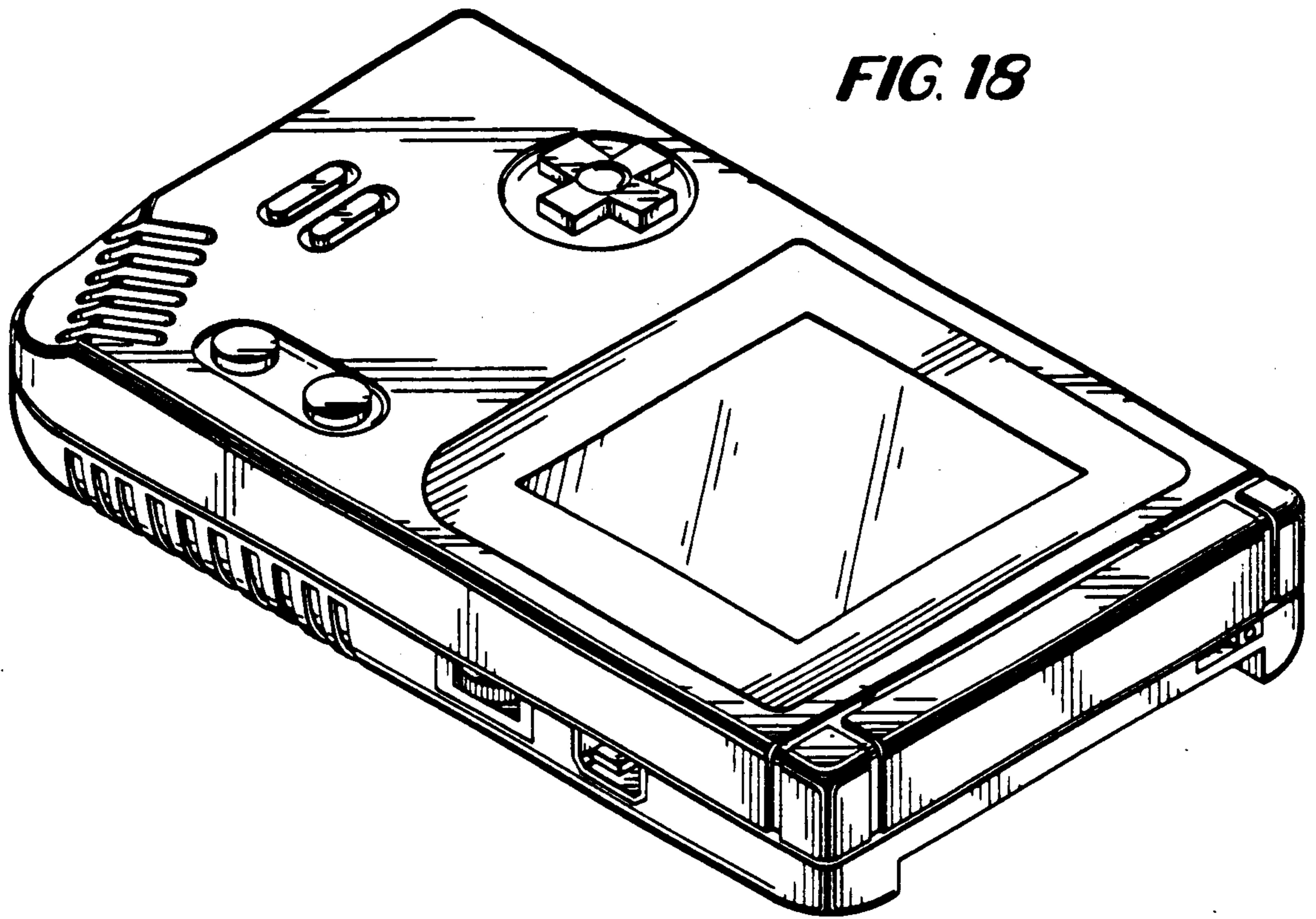


FIG. 18

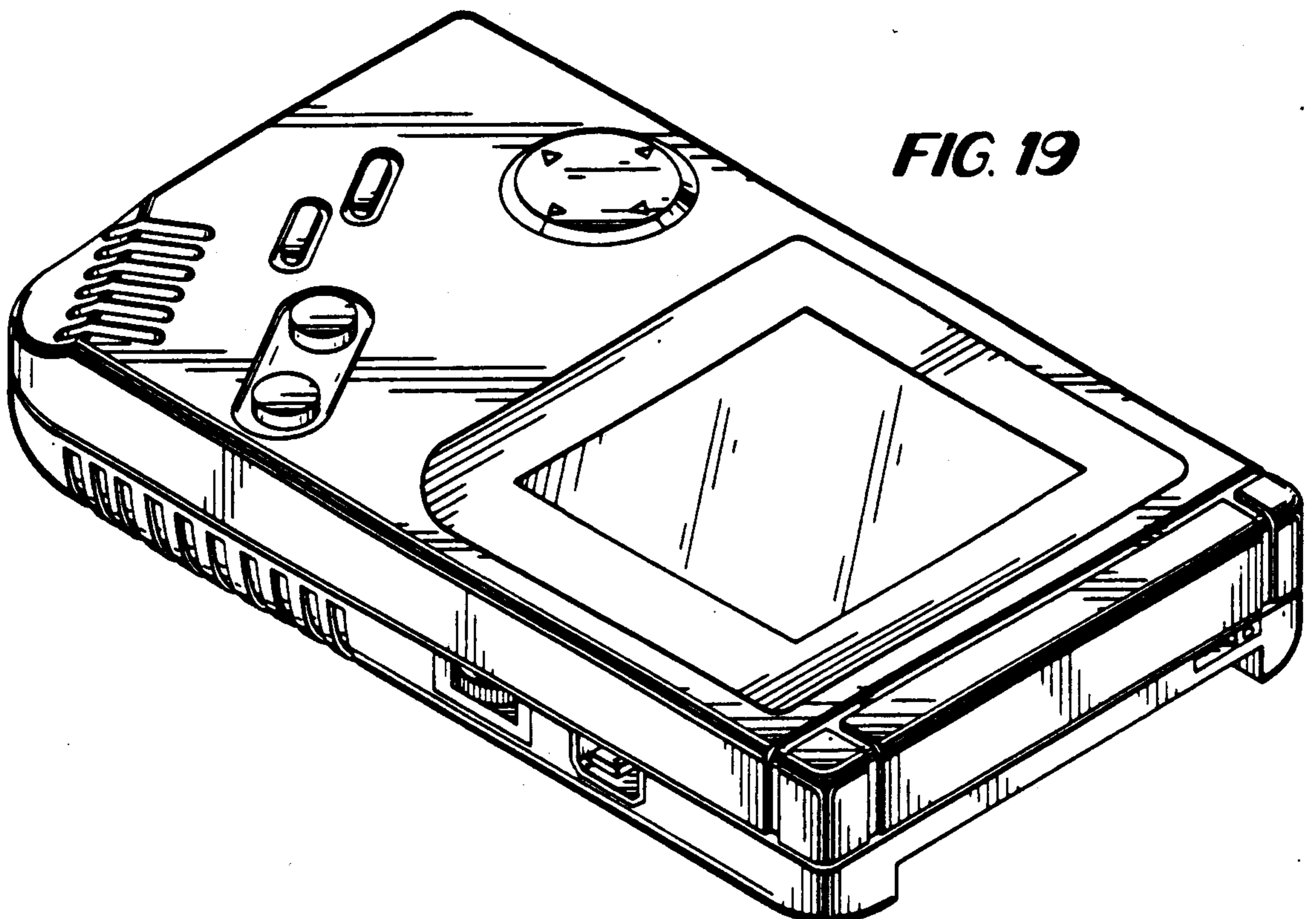


FIG. 19