

[54] ELECTRONIC EDUCATIONAL GAME FOR TEACHING CHILDREN COLORS, NUMBERS, NURSERY RHYMES AND THE LIKE

[75] Inventors: David T. Cheung; Donny C. Leung, both of Hong Kong, Hong Kong

[73] Assignee: Video Technology Industries, Inc., Wheeling, Ill.

[**] Term: 14 Years

[21] Appl. No.: 346,718

[22] Filed: May 3, 1989

[30] Foreign Application Priority Data

Nov. 15, 1988 [GB] United Kingdom 1054996
[52] U.S. Cl. D19/59; D21/129
[58] Field of Search D19/59, 60, 61, 62, D19/63, 64; D21/26, 71, 73, 74, 75, 80, 81, 124, 129; 446/410, 433, 465, 466, 467

[56] References Cited

U.S. PATENT DOCUMENTS

D. 203,758	2/1966	Spengler	D19/62 X
D. 217,374	4/1970	Hubiak	D21/76
D. 236,523	8/1975	Reiling	D21/129
462,556	11/1891	Huber	D21/129 X
2,360,030	10/1944	Hickling	D21/129 X

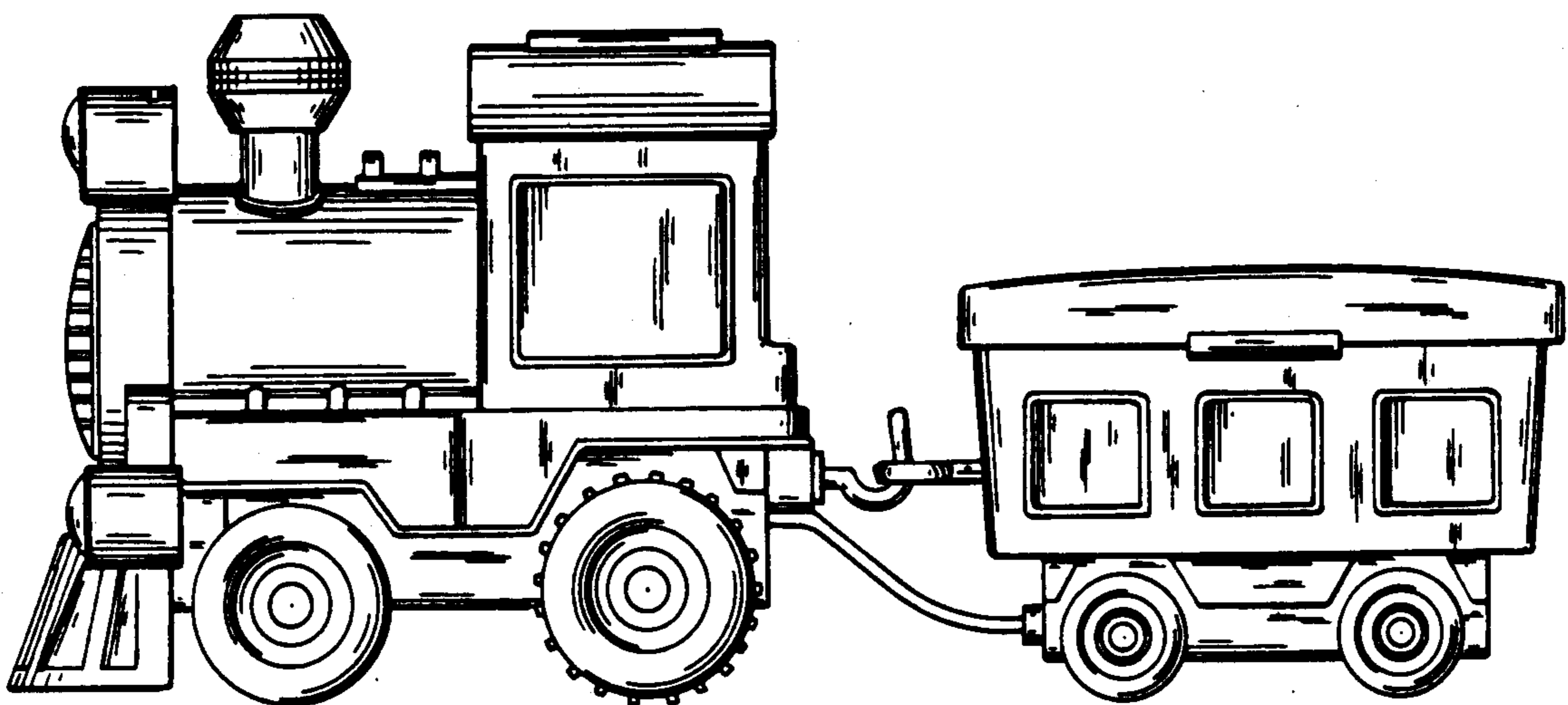
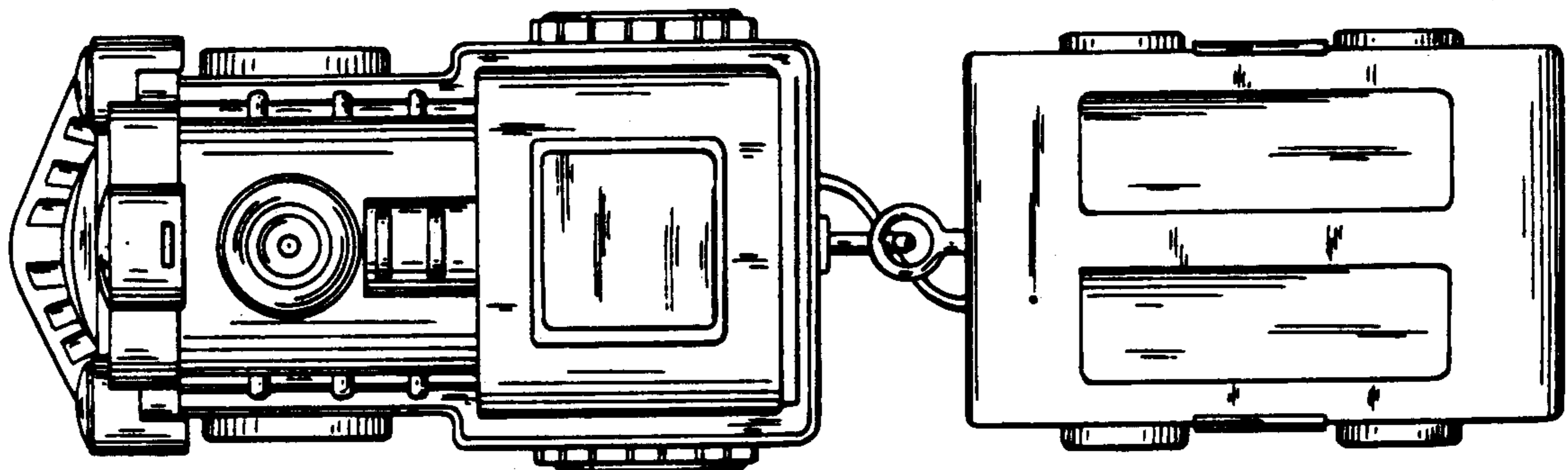
Primary Examiner—Wallace R. Burke
Assistant Examiner—P. Schmidt
Attorney, Agent, or Firm—Dick and Harris

[57] CLAIM

The ornamental design for an electronic educational game for teaching children colors, numbers, nursery rhymes and the like, as shown and described.

DESCRIPTION

FIG. 1 is a top plan view of an electronic educational game for teaching children colors, numbers, nursery rhymes and the like showing my new design; FIG. 2 is a left side elevational view thereof; FIG. 3 is a right side elevational view thereof; FIG. 4 is a bottom plan view thereof; FIG. 5 is a front elevational view thereof; and FIG. 6 is a rear elevational view thereof.



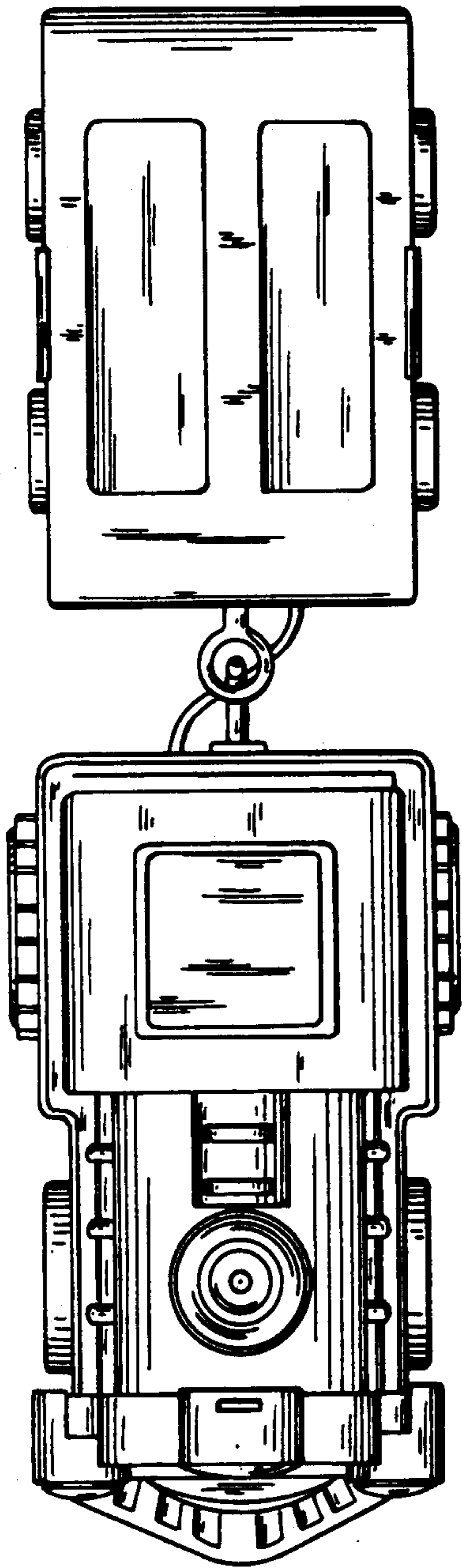


FIG. 1

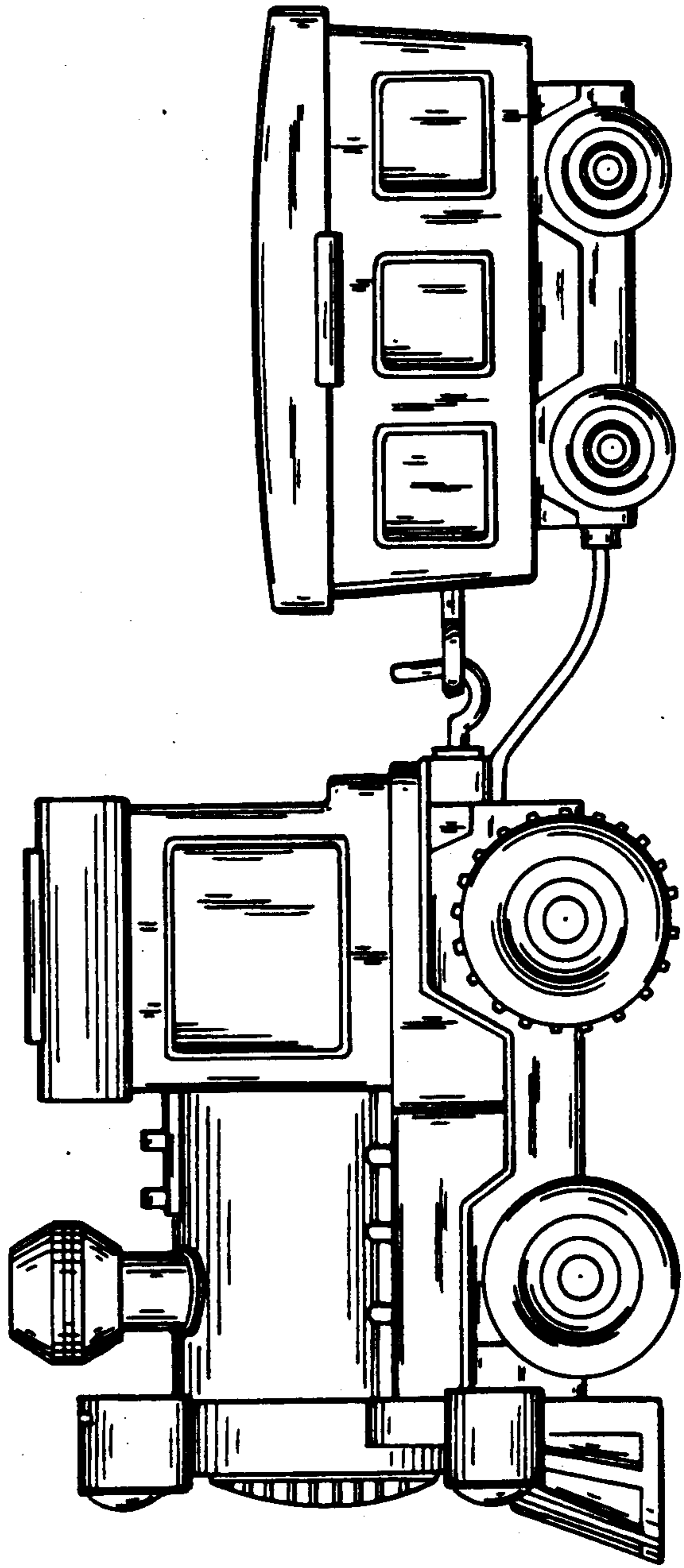


FIG. 2

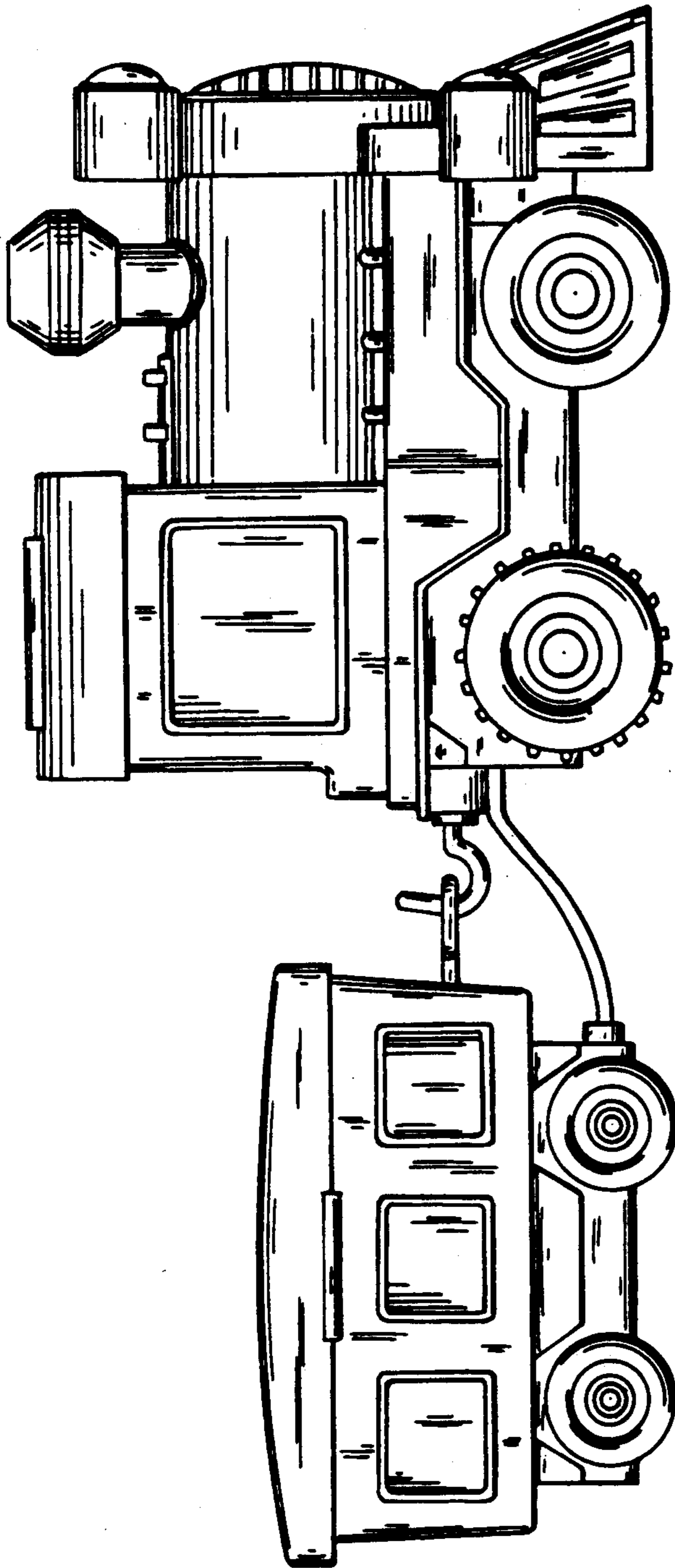


FIG. 3

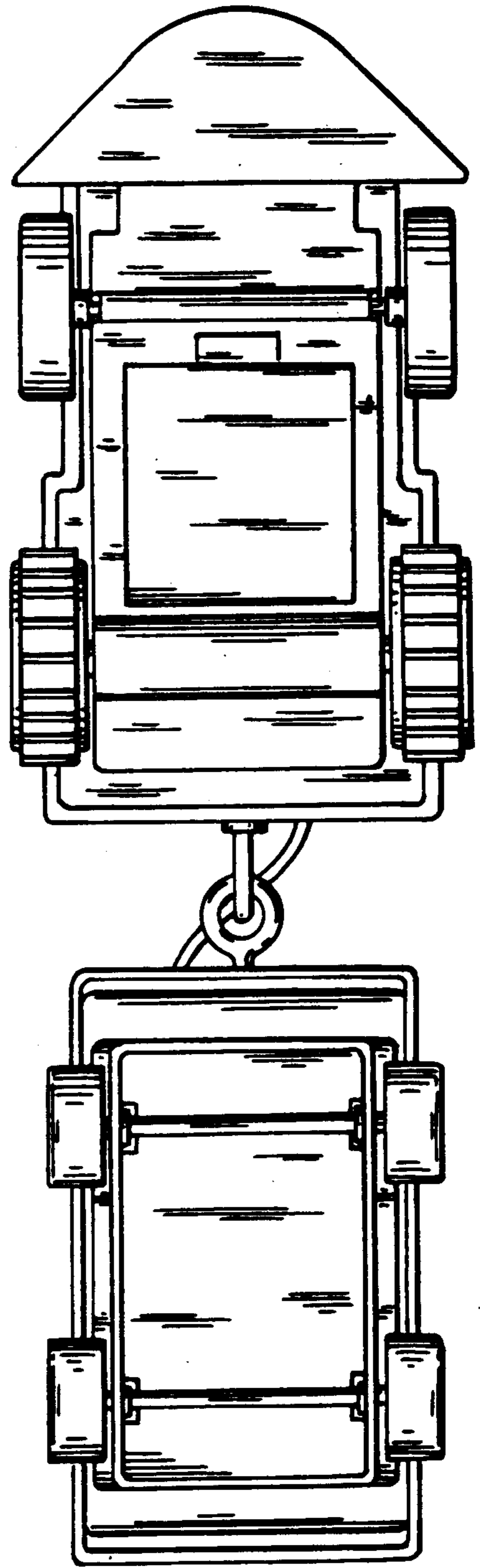


FIG. 4

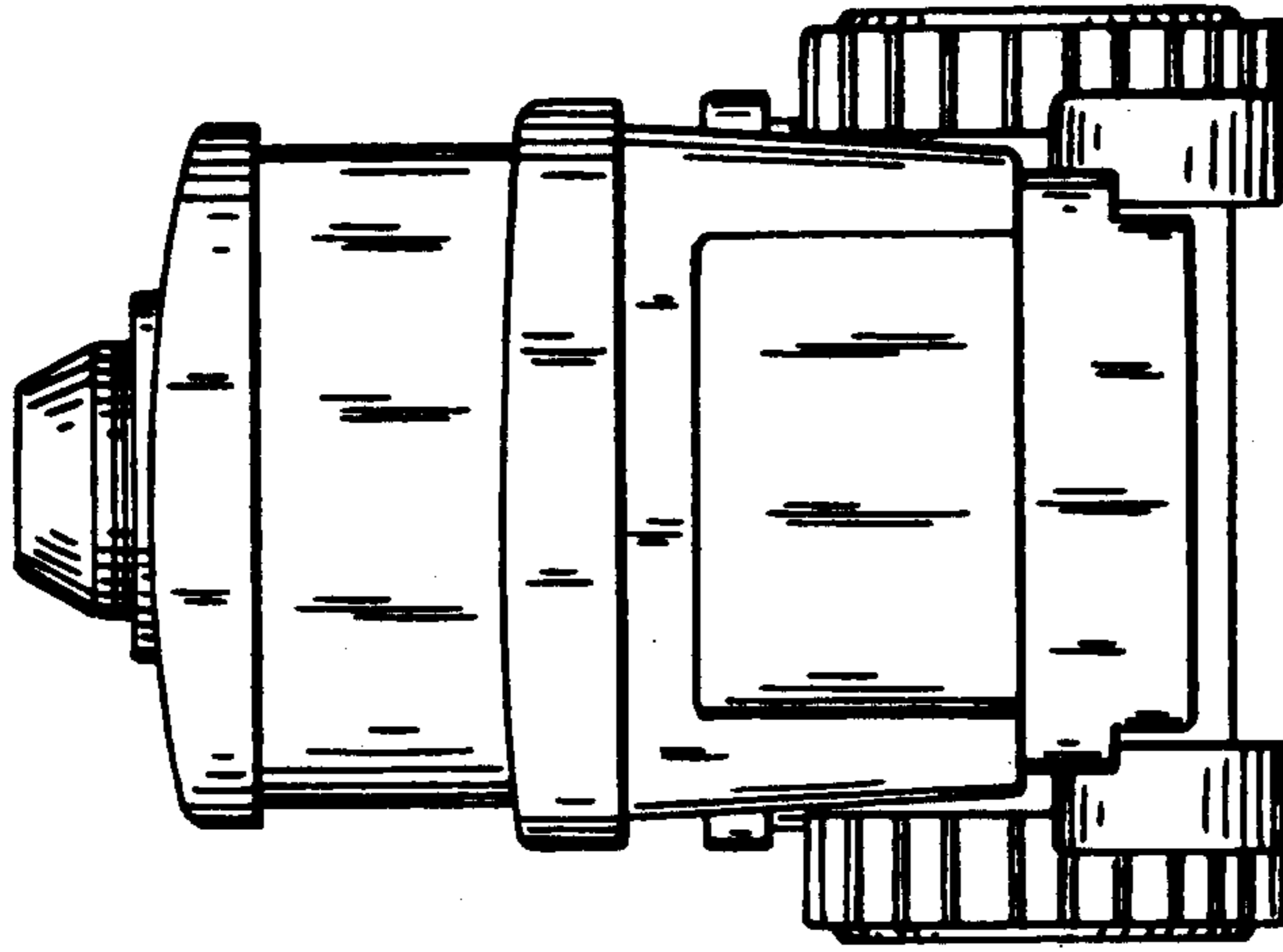


FIG. 6

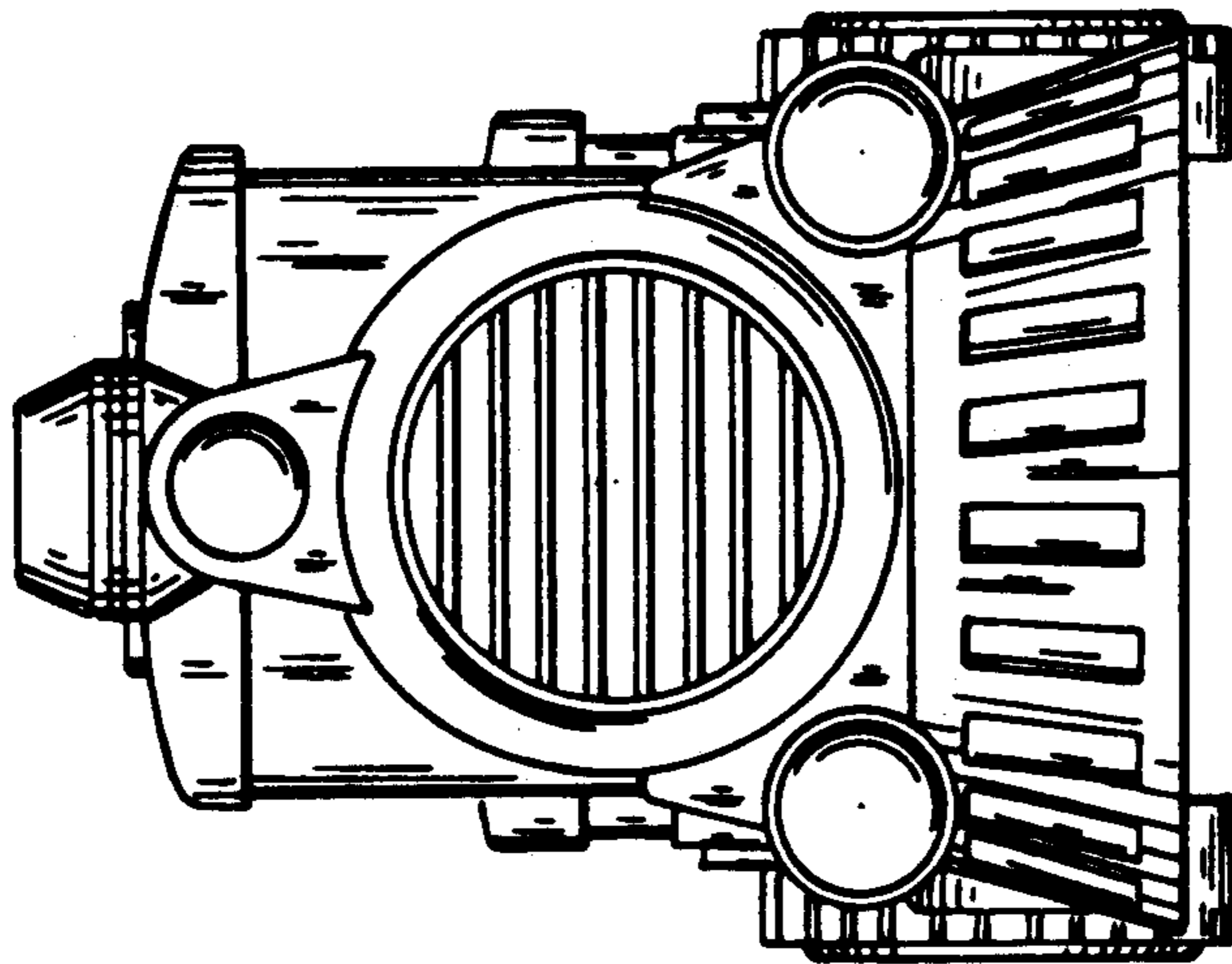


FIG. 5