

[54] SHEET FEEDER FOR COMPUTER OUTPUT PRINTERS

[75] Inventors: Shigeru Kikkawa; Norio Sakamoto, both of Tokyo, Japan

[73] Assignee: NEC Corporation, Tokyo, Japan

[\*\*] Term: 14 Years

[21] Appl. No.: 135,196

[22] Filed: Dec. 21, 1987

[30] Foreign Application Priority Data

Jun. 19, 1987 [JP] Japan ..... 62-25015

[52] U.S. Cl. .... D18/22

[58] Field of Search ..... D18/12, 22, 13, 44, D18/40, 34; D14/100, 111, 114; 400/691, 690.1, 693, 613.2, 624-626, 629, 691; 312/208; 221/50; D6/406, 419, 420; D19/86, 90, 91; D8/102; 226/74, 196; 355/308-309, 321, 324; 271/3, 145, 162-164, 207-208, 220, 223-224

[56] References Cited

U.S. PATENT DOCUMENTS

|            |         |               |       |         |
|------------|---------|---------------|-------|---------|
| D. 272,156 | 1/1984  | Meister, Jr.  | ..... | D14/114 |
| D. 277,872 | 3/1985  | Rünzl         | ..... | D18/12  |
| D. 287,509 | 12/1986 | Nibley et al. | ..... | D18/22  |
| D. 304,956 | 12/1989 | Omino et al.  | ..... | D18/22  |
| D. 305,034 | 12/1989 | Hiroki        | ..... | D18/22  |
| 4,565,360  | 1/1986  | Rünzi         | ..... | 271/162 |
| 4,619,388  | 10/1986 | Ono et al.    | ..... | 271/145 |

|           |        |         |       |           |
|-----------|--------|---------|-------|-----------|
| 4,696,591 | 9/1987 | Boyden  | ..... | 400/613.2 |
| 4,747,718 | 3/1988 | Shimizu | ..... | 400/625   |
| 4,760,492 | 7/1988 | Walsh   | ..... | 312/208   |
| 4,854,757 | 8/1989 | Kikuchi | ..... | 400/625   |

Primary Examiner—Louis S. Zarfes  
Assistant Examiner—Cathy Anne MacCormac  
Attorney, Agent, or Firm—Sughrue, Mion, Zinn Macpeak & Seas

[57] CLAIM

The ornamental design for a sheet feeder for computer output printers, as shown and described.

DESCRIPTION

FIG. 1 is a front, top and right side perspective view of a sheet feeder for computer output printers showing our new design;

FIG. 2 is a front perspective view thereof;

FIG. 3 is a top perspective view thereof;

FIG. 4 is a left side perspective view thereof;

FIG. 5 is a right side perspective view thereof;

FIG. 6 is a rear perspective view thereof;

FIG. 7 is a bottom plan view thereof; and

FIG. 8 is a perspective view thereof with the hopper cover and feeder in closed position;

FIG. 9 is a front elevational view thereof;

FIG. 10 is a top plan view thereof;

FIG. 11 is a left side elevational view thereof;

FIG. 12 is a right side elevational view thereof;

FIG. 13 is a rear elevational view thereof; and

FIG. 14 is a bottom plan view thereof.

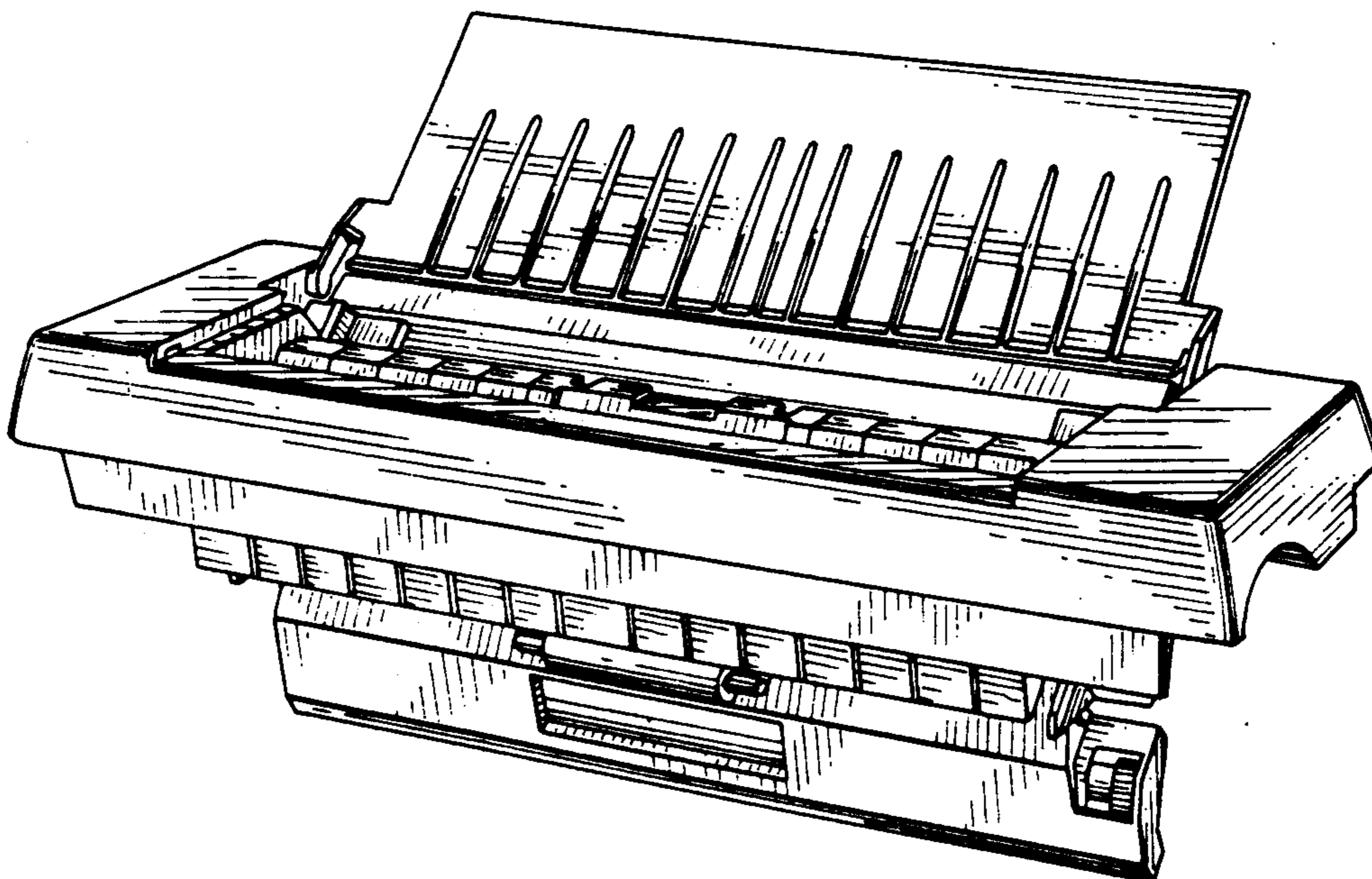


FIG. 1

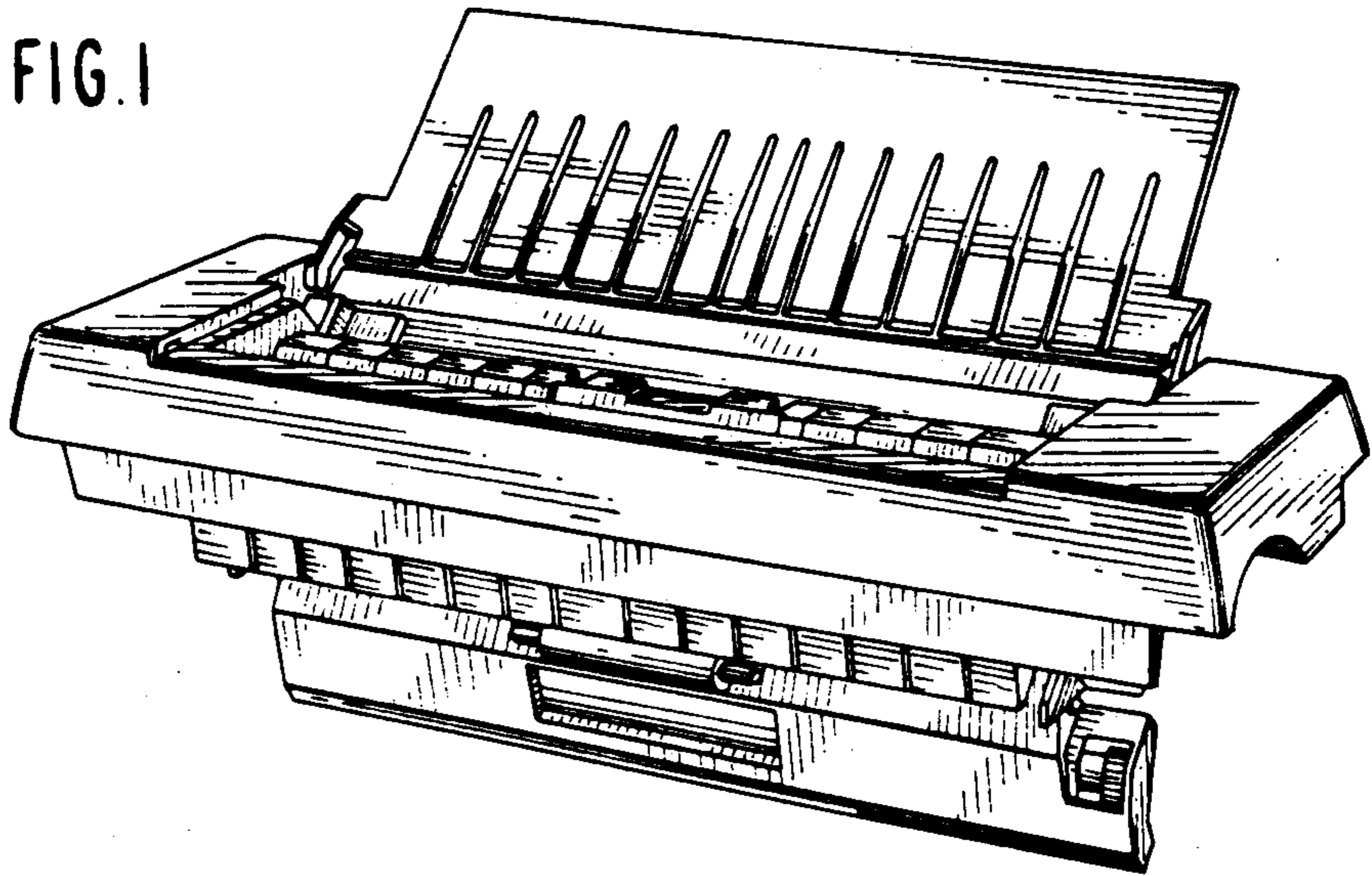


FIG. 2

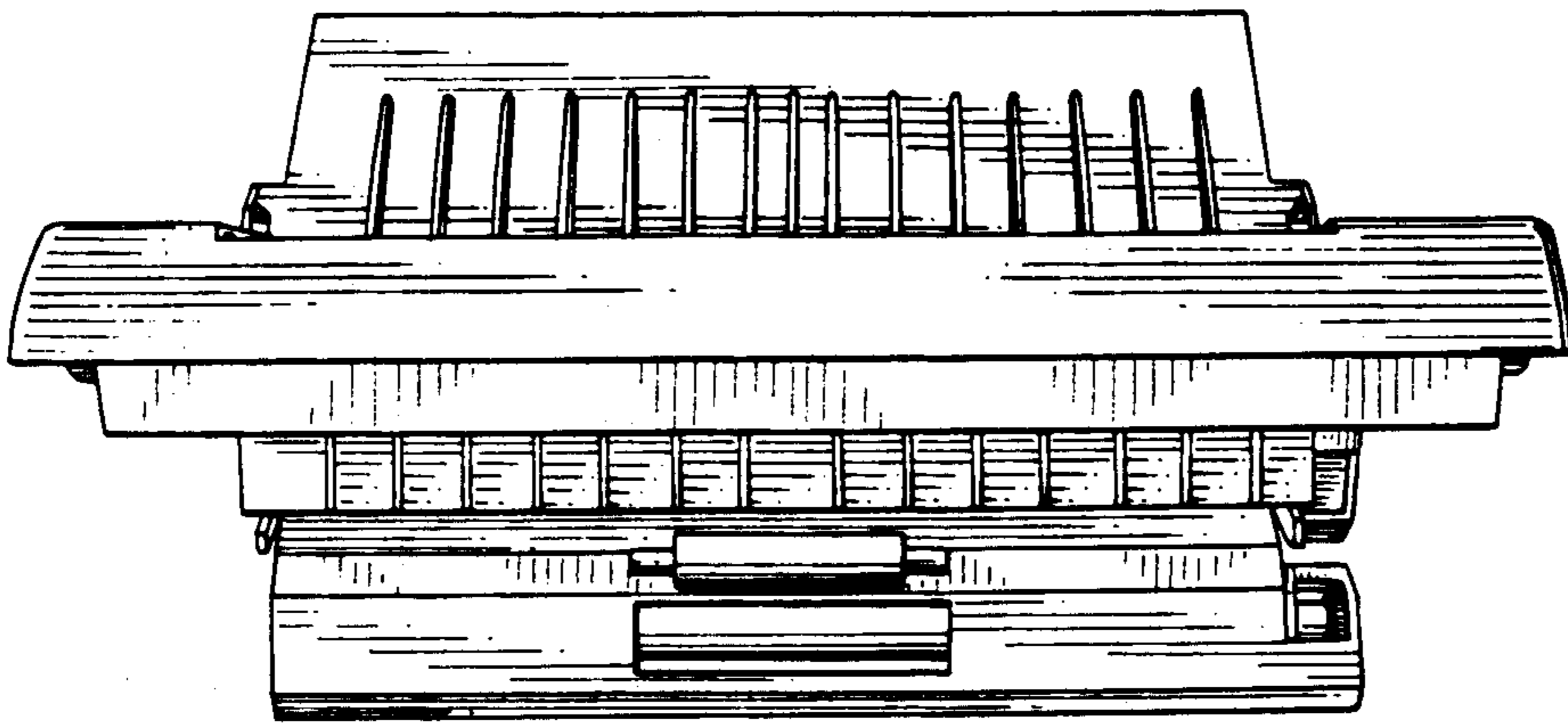


FIG. 3

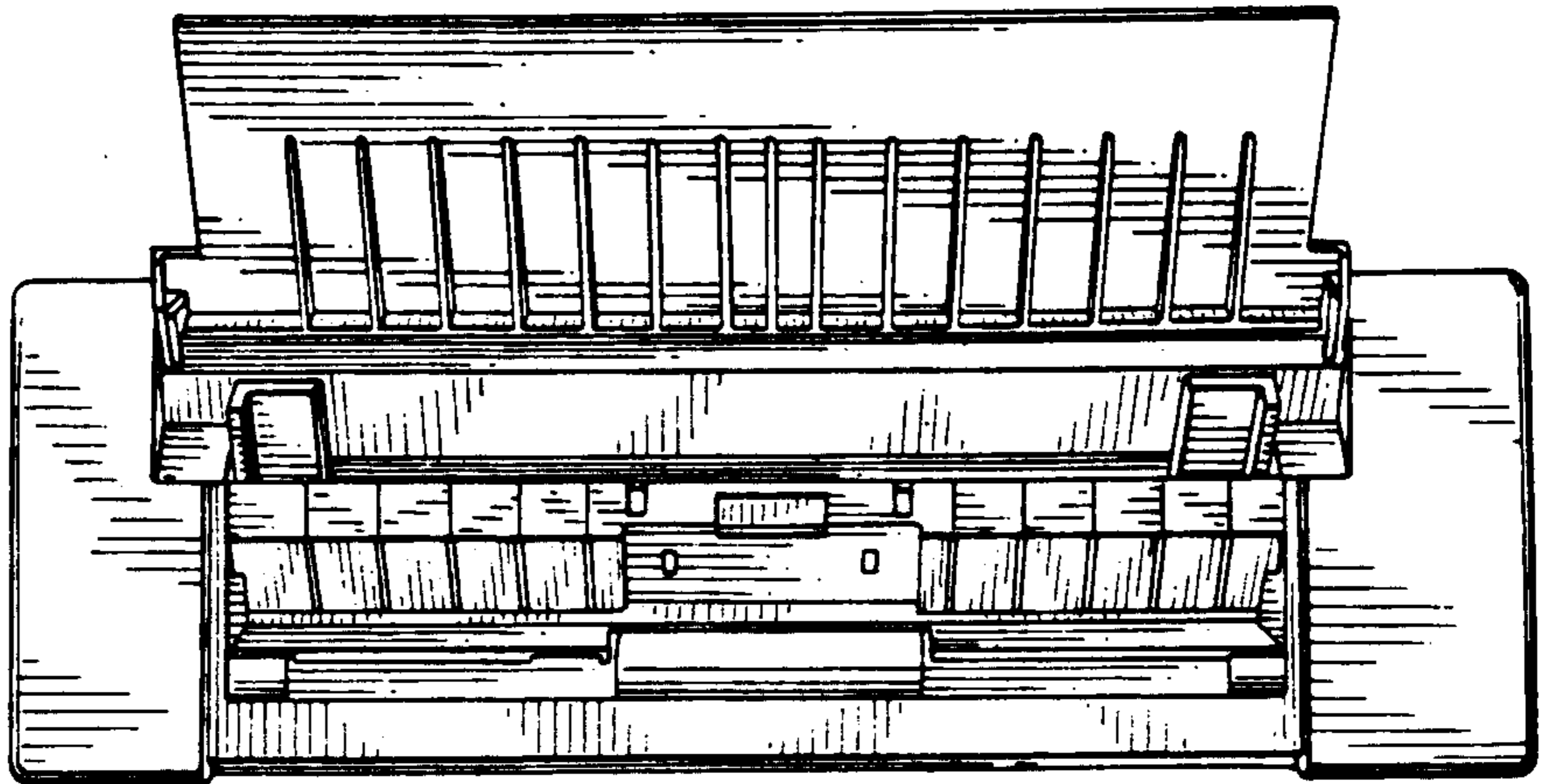


FIG. 4

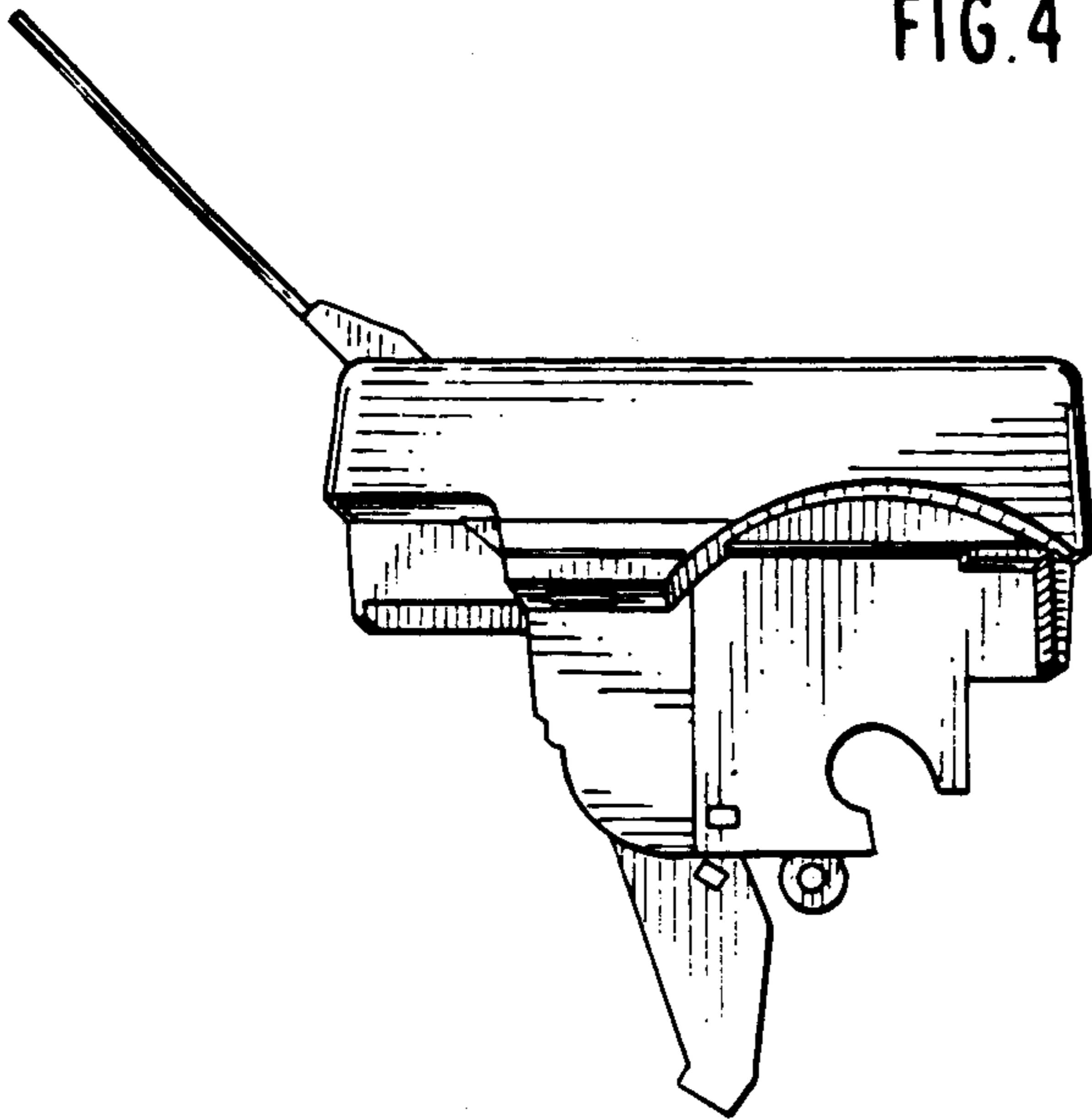


FIG. 5

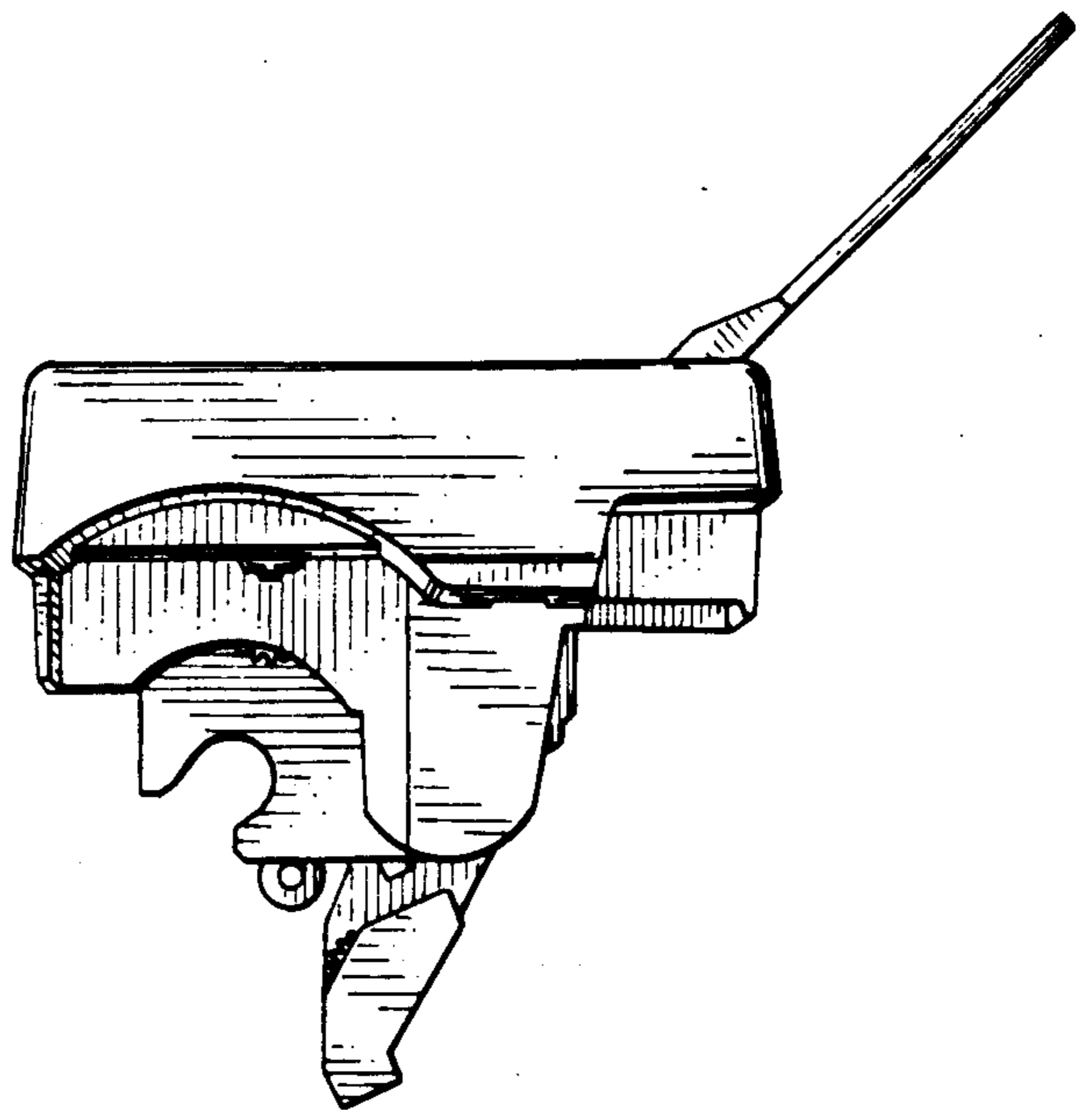


FIG. 6

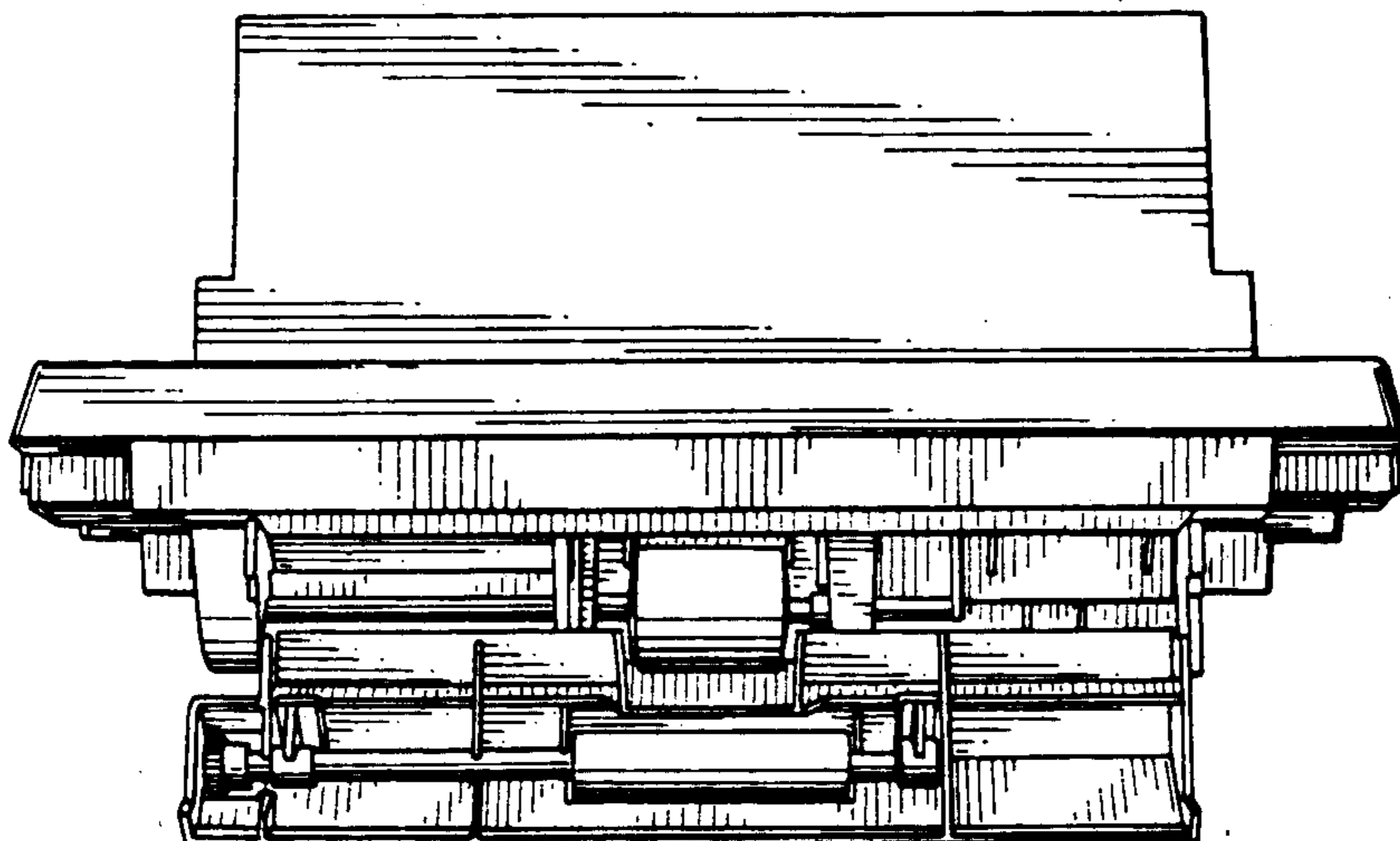


FIG. 7

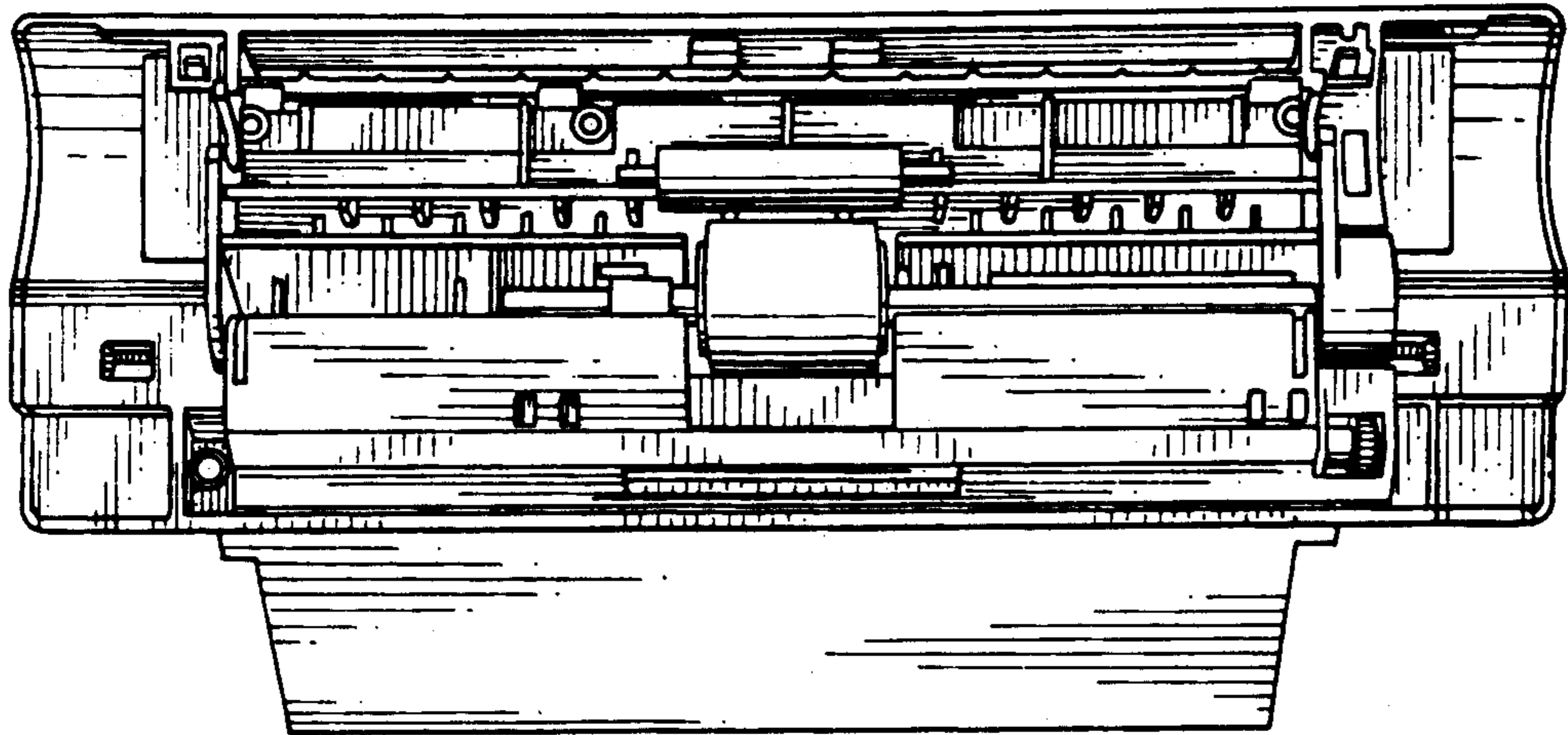


FIG. 8

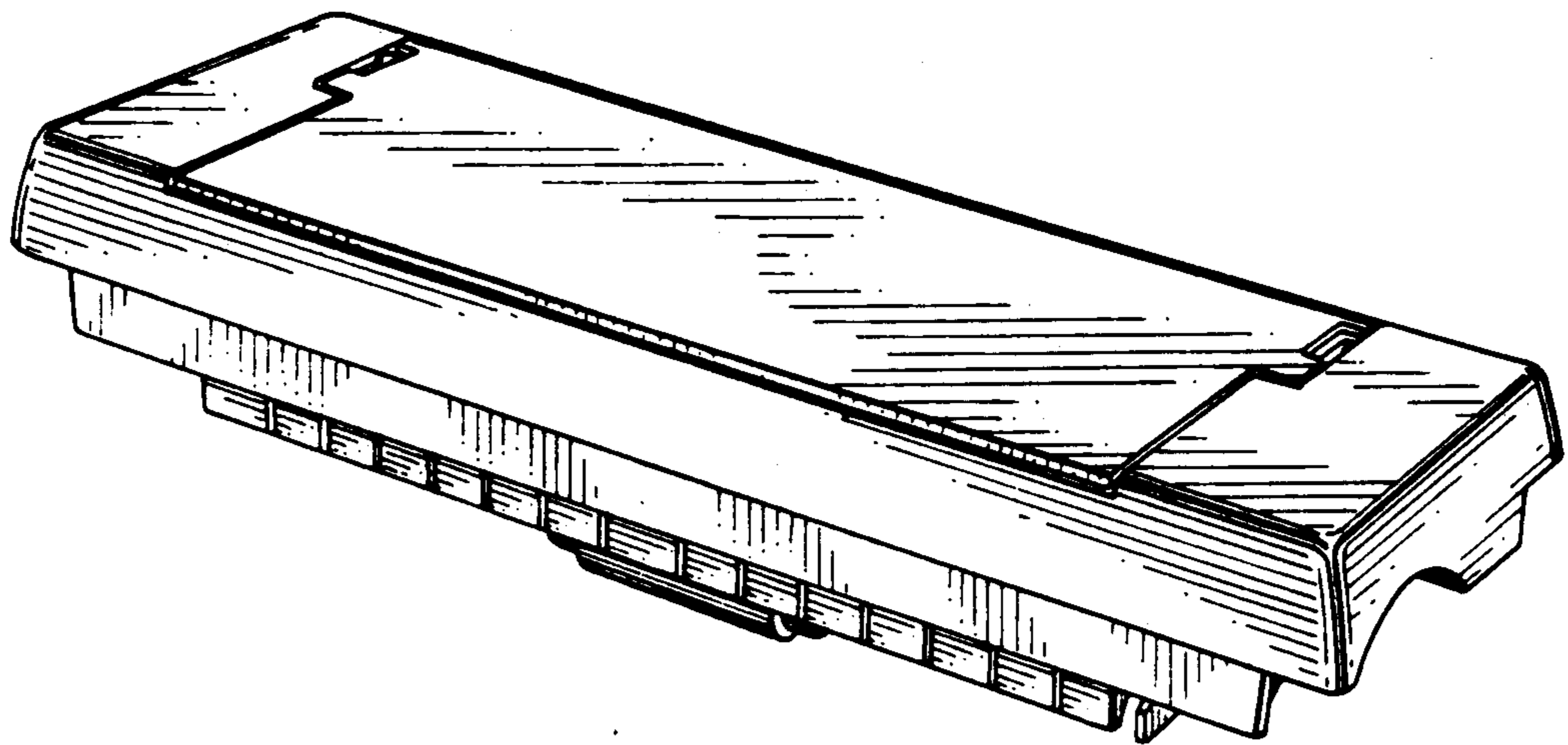


FIG. 9

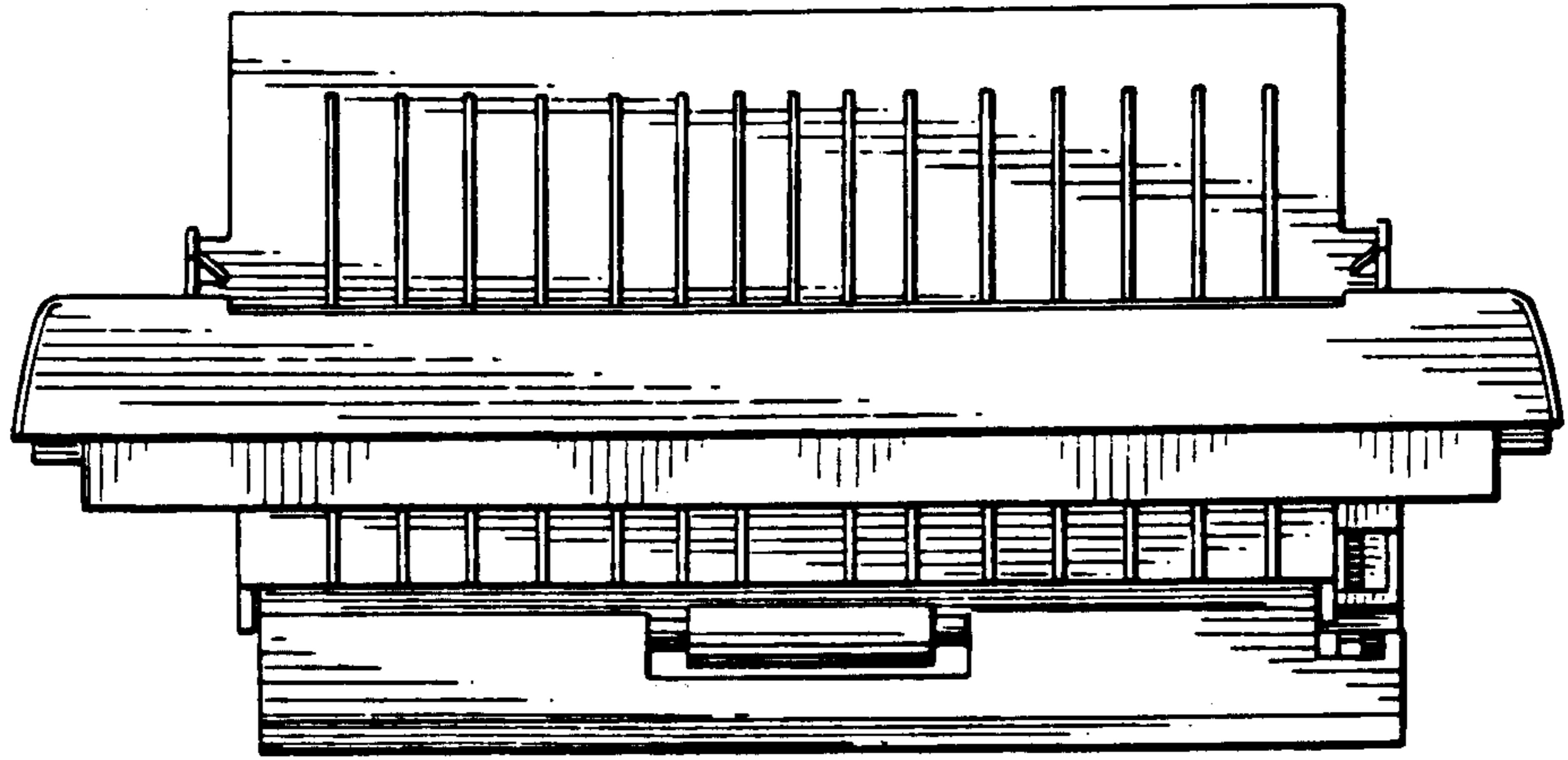


FIG. 10

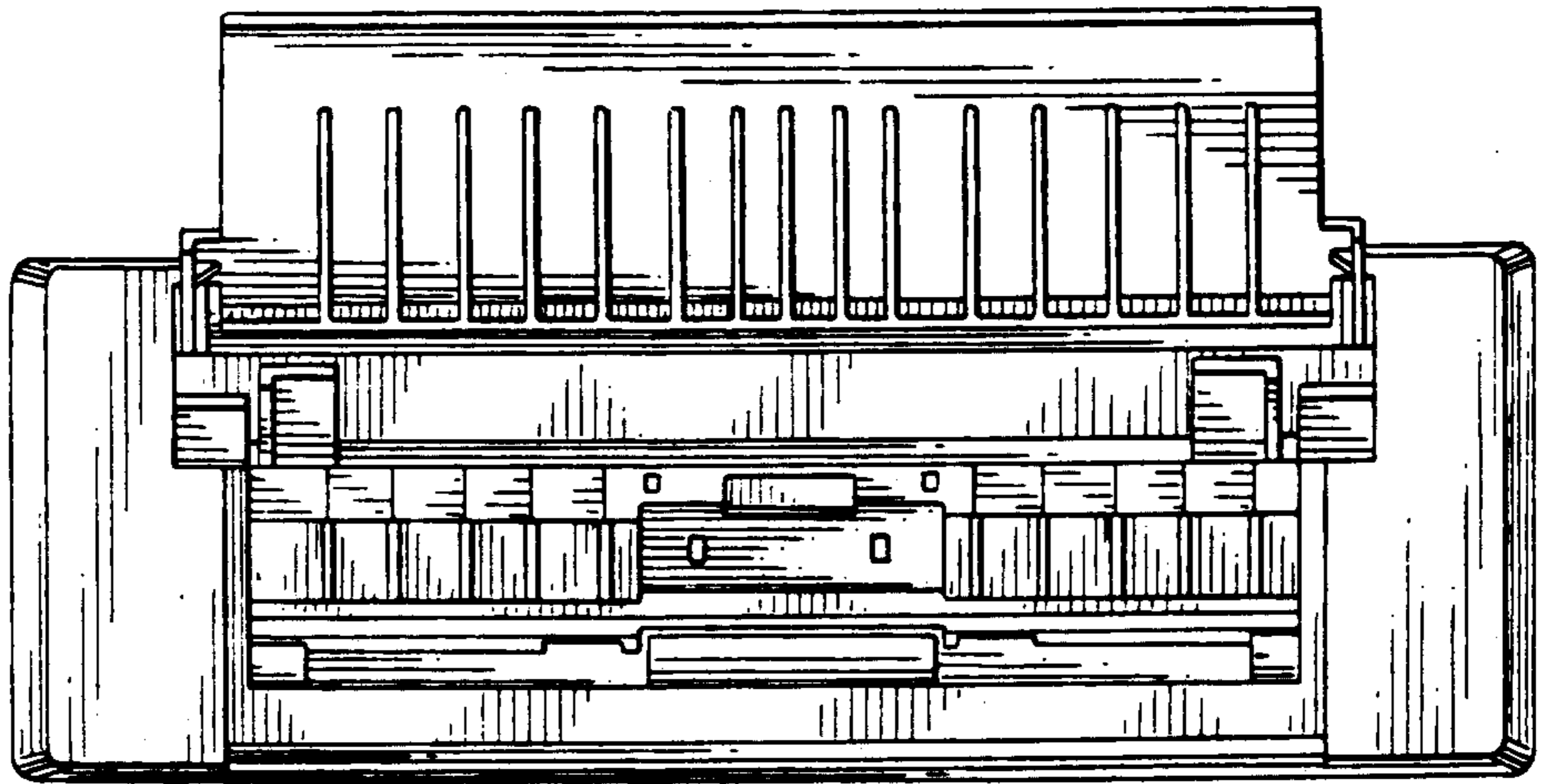


FIG. 11

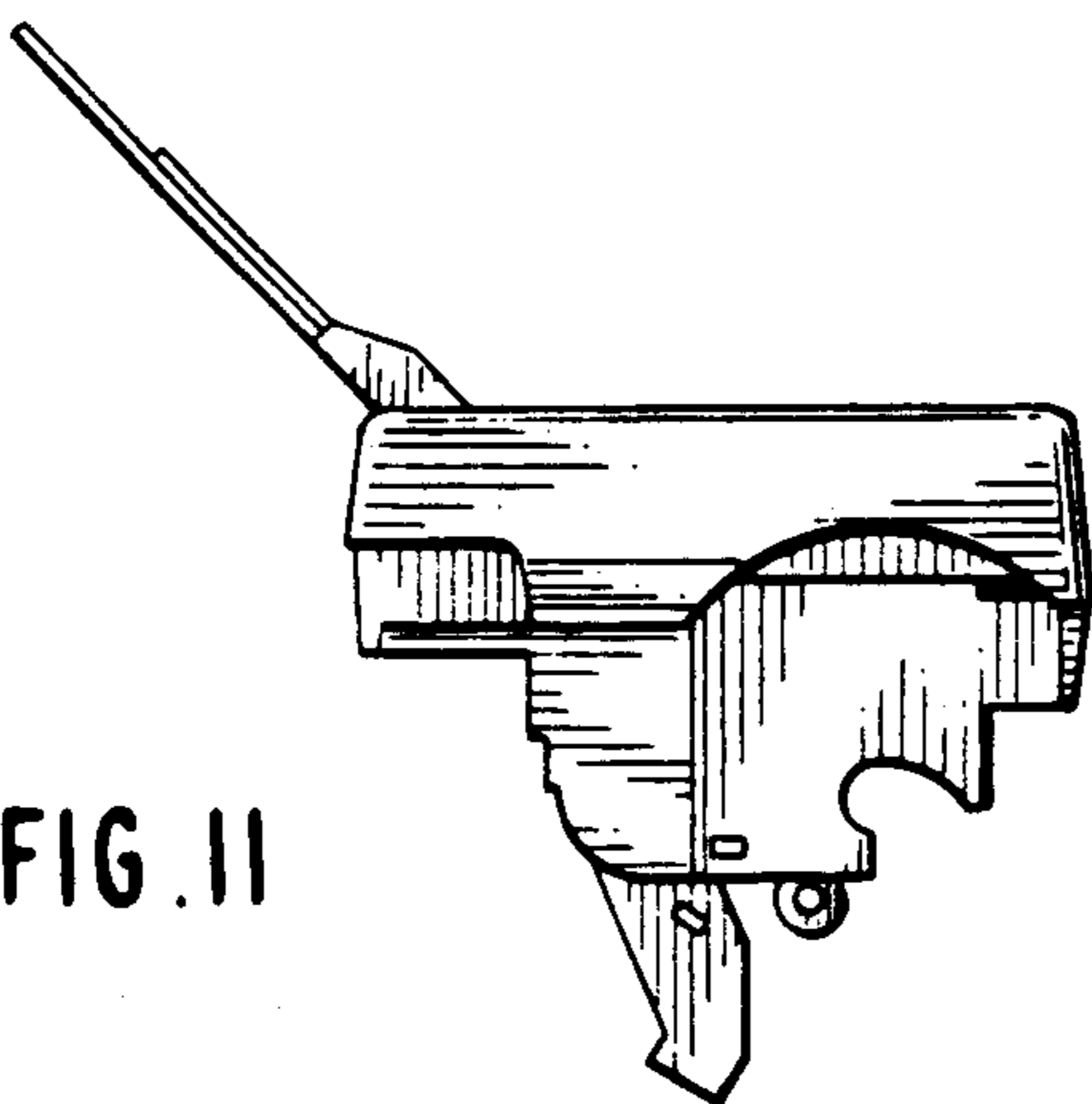
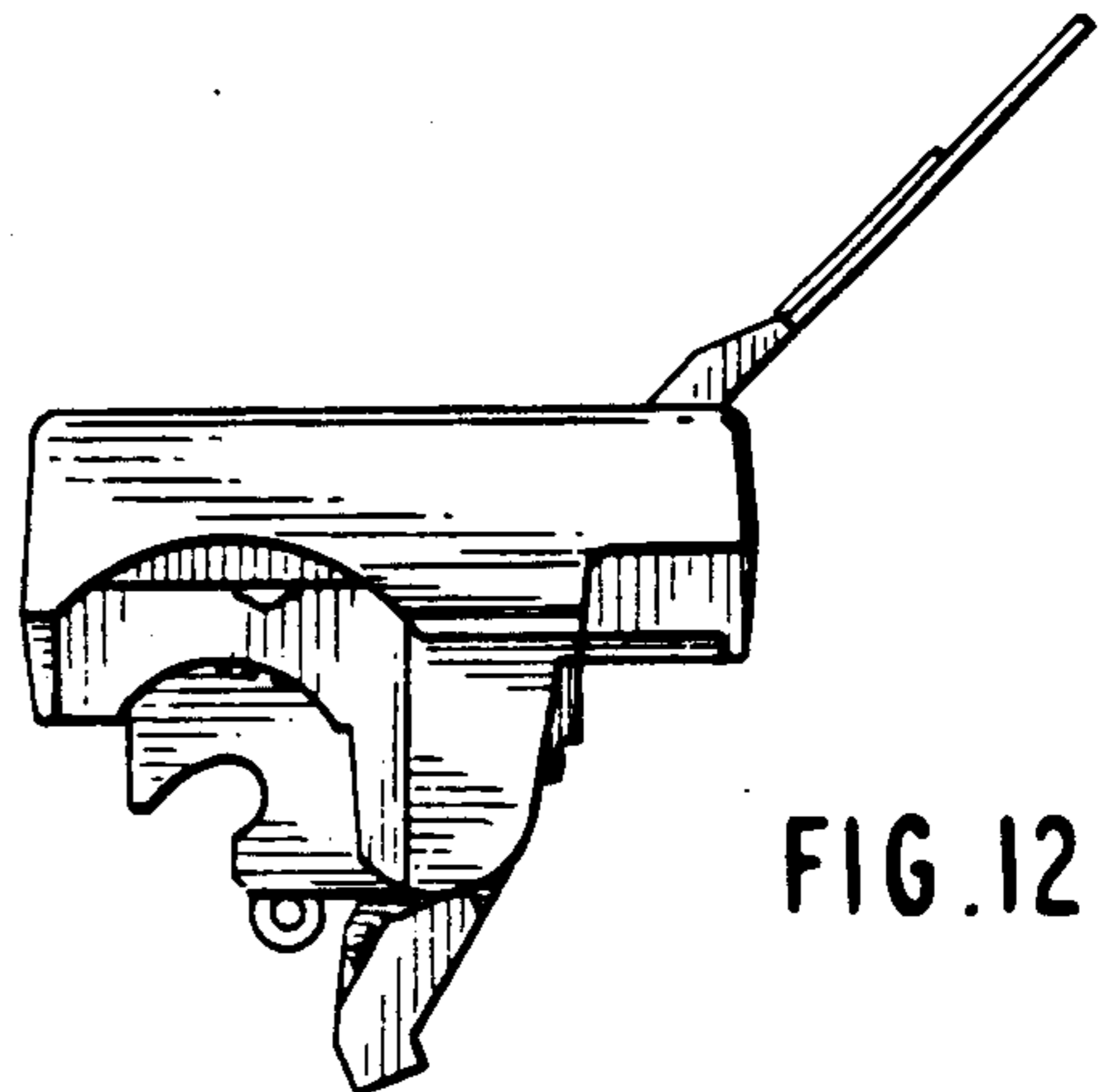


FIG. 12



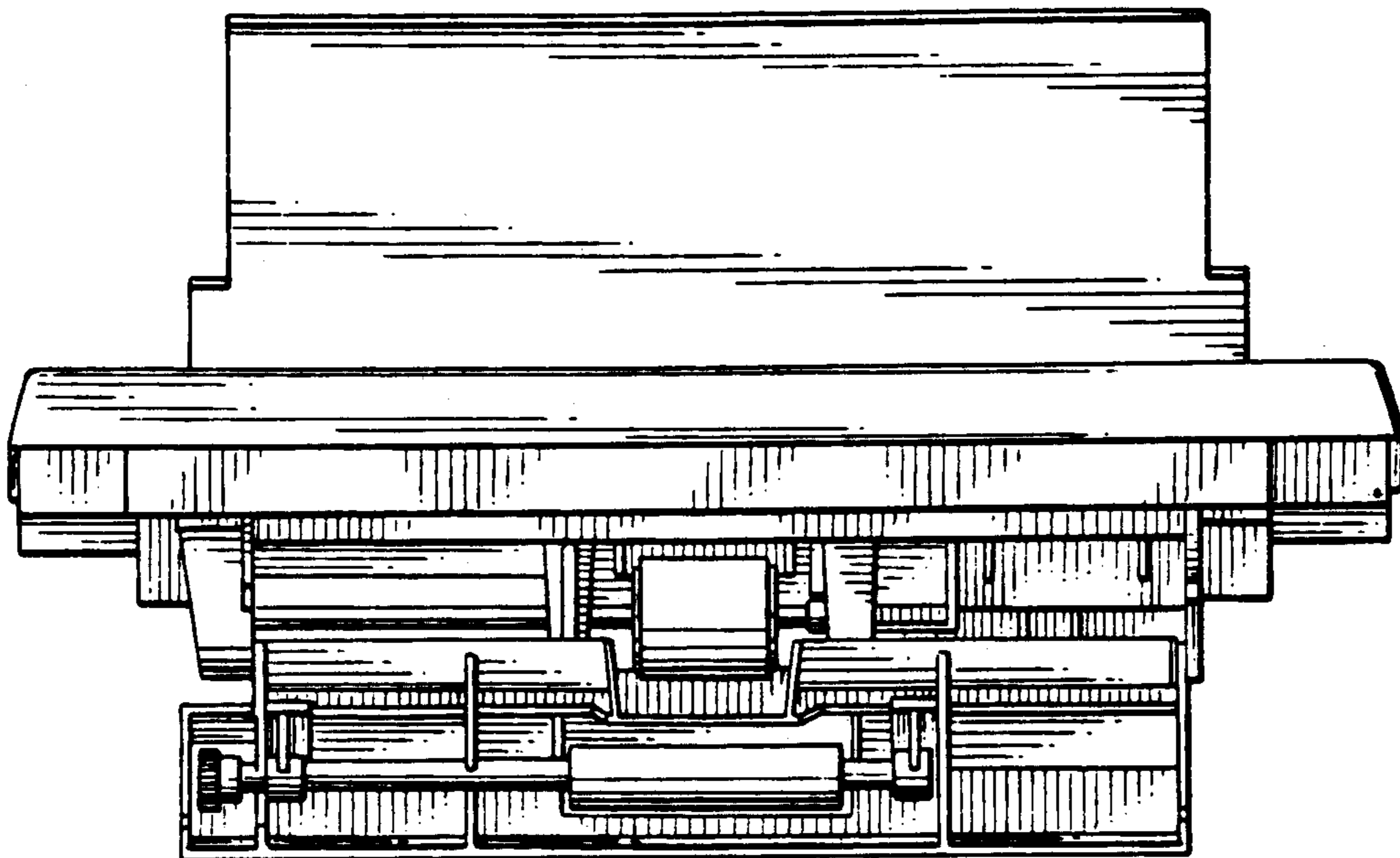


FIG. 13

FIG. 14

