

[54] INK RIBBON CASSETTE FOR ELECTRONIC TYPEWRITER

[75] Inventor: Fumiya Matsuoka, Kawasaki, Japan

[73] Assignee: Canon Kabushiki Kaisha, Tokyo, Japan

[\*] Notice: The portion of the term of this patent subsequent to Aug. 6, 2005 has been disclaimed.

[\*\*] Term: 14 Years

[21] Appl. No.: 165,551

[22] Filed: Mar. 8, 1988

[30] Foreign Application Priority Data

Sep. 9, 1987 [JP] Japan ..... 62-37055

[52] U.S. Cl. .... D18/12

[58] Field of Search ..... D18/12, 22, 99; D14/121; 400/191-196, 208

[56] References Cited

U.S. PATENT DOCUMENTS

- D. 280,736 9/1985 Schuiling ..... D18/12 X
- D. 281,255 11/1985 Nibley et al. .... D18/12
- D. 281,330 11/1985 Kando ..... D18/12
- D. 281,331 11/1985 Nibley et al. .... D18/12

- D. 281,332 11/1985 Nibley et al. .... D18/12
- D. 285,808 9/1986 Fuziwara et al. .... D18/12
- D. 290,715 7/1987 Omino et al. .... D18/12
- D. 302,437 7/1989 Altmann et al. .... D18/12
- D. 302,829 8/1989 Nezu et al. .... D18/12
- D. 303,795 10/1989 Brown ..... D14/121
- D. 304,597 11/1989 Sakurai ..... D18/12
- 4,600,325 7/1986 Okamoto et al. .... 400/208
- 4,611,937 9/1986 Sato et al. .... 400/208
- 4,793,723 12/1988 Furhata ..... 400/208 X

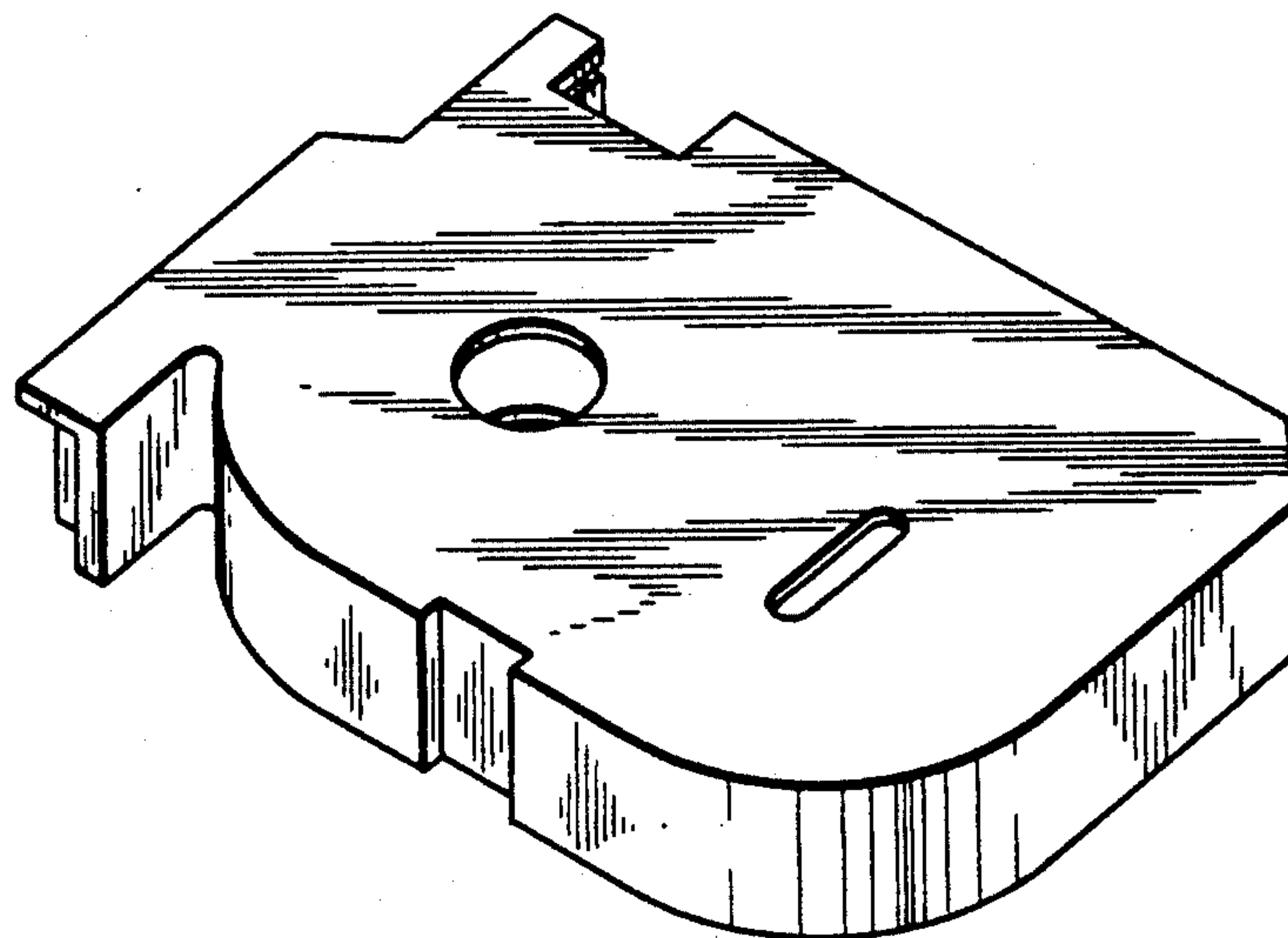
Primary Examiner—Nelson C. Holtje  
Assistant Examiner—Caron D. Veynar  
Attorney, Agent, or Firm—Fitzpatrick, Cella, Harper & Scinto

[57] CLAIM

The ornamental design for an ink ribbon cassette for electronic typewriter, as shown and described.

DESCRIPTION

FIG. 1 is a front elevational view of an ink ribbon cassette for electronic typewriter showing my new design; FIG. 2 is a rear elevational view thereof; FIG. 3 is a top plan view thereof; FIG. 4 is a bottom plan view thereof; FIG. 5 is a left side elevational view thereof; FIG. 6 is a right side elevational view thereof; and FIG. 7 is a right, front and top perspective view thereof.



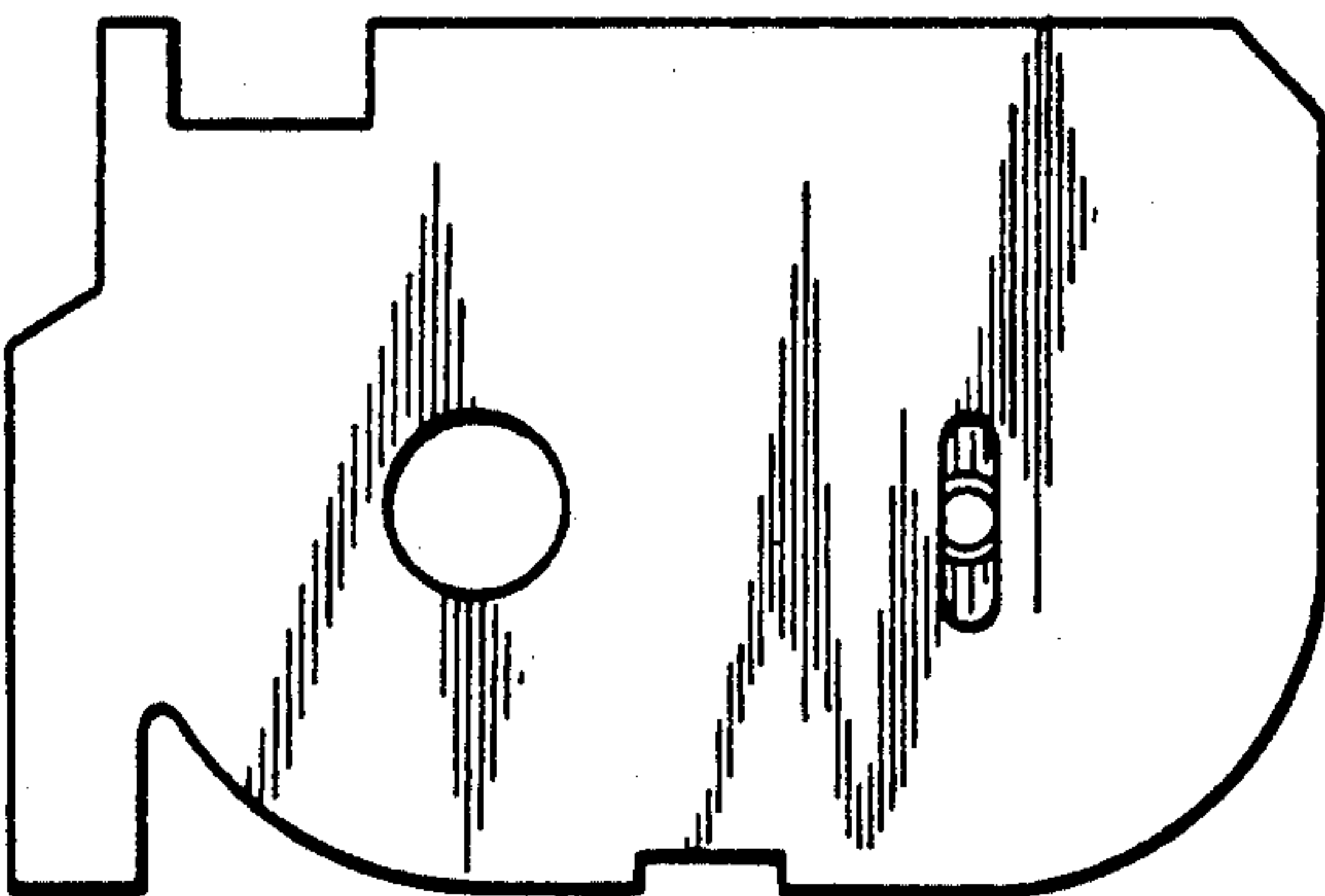
*FIG. 1*



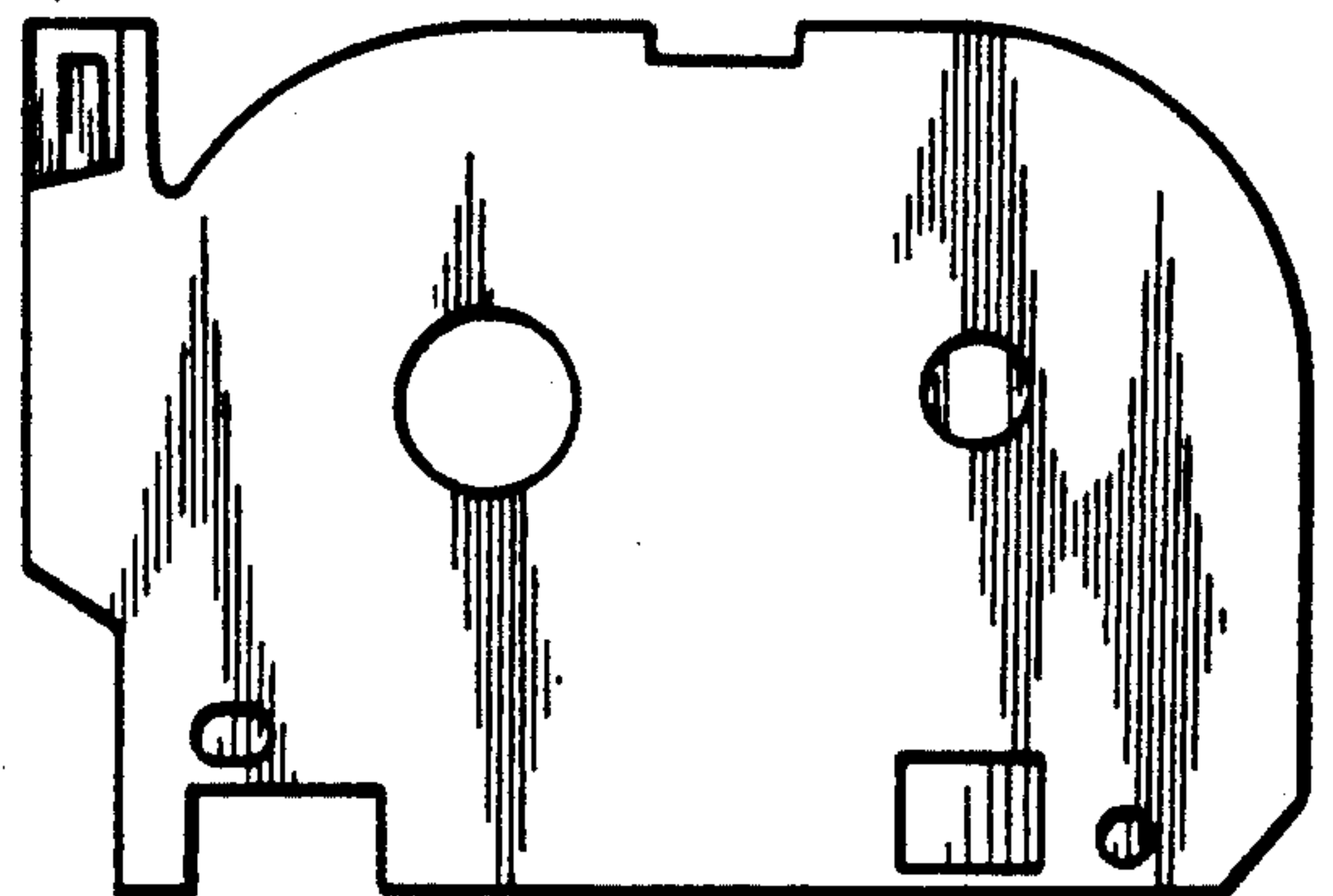
*FIG. 2*



*FIG. 3*



*FIG. 4*



*FIG. 5*



*FIG. 6*



FIG. 7

