

[54] **COMBINED VIDEO CAMERA AND PHOTOGRAPHIC PRINTER**

4,852,896 8/1989 Mills 280/47.18
 4,864,334 9/1989 Ellis 354/81

[76] **Inventor: Charles E. Mitchell, 64 Union Ave., Upper Saddle River, N.J. 07458**

Primary Examiner—Bernard Ansher
Assistant Examiner—Adir Aronovich
Attorney, Agent, or Firm—Samuelson & Jacob

[**] **Term: 14 Years**

[57] **CLAIM**

[21] **Appl. No.: 217,603**

The ornamental design for a combined video camera and photographic printer, as shown and described.

[22] **Filed: Jul. 11, 1988**

DESCRIPTION

[52] **U.S. Cl. D16/202; D14/129; D16/248**

[58] **Field of Search D16/200, 201, 202, 208; D14/135, 129; D34/14, 15, 23, 24; 280/47.19, 47.24; 354/75, 76, 81, 82, 293**

FIG. 1 is a front elevational view of a combined video camera and photographic printer showing my new design;

FIG. 2 is a side elevational view thereof;

FIG. 3 is a side elevational view of the side opposite that shown in FIG. 2.

FIG. 4 is a rear elevational view thereof;

FIG. 5 is a top plan view thereof;

FIG. 6 is a bottom plan view thereof;

FIG. 7 is a top plan view as seen in the direction of line 7-7 of FIG. 1;

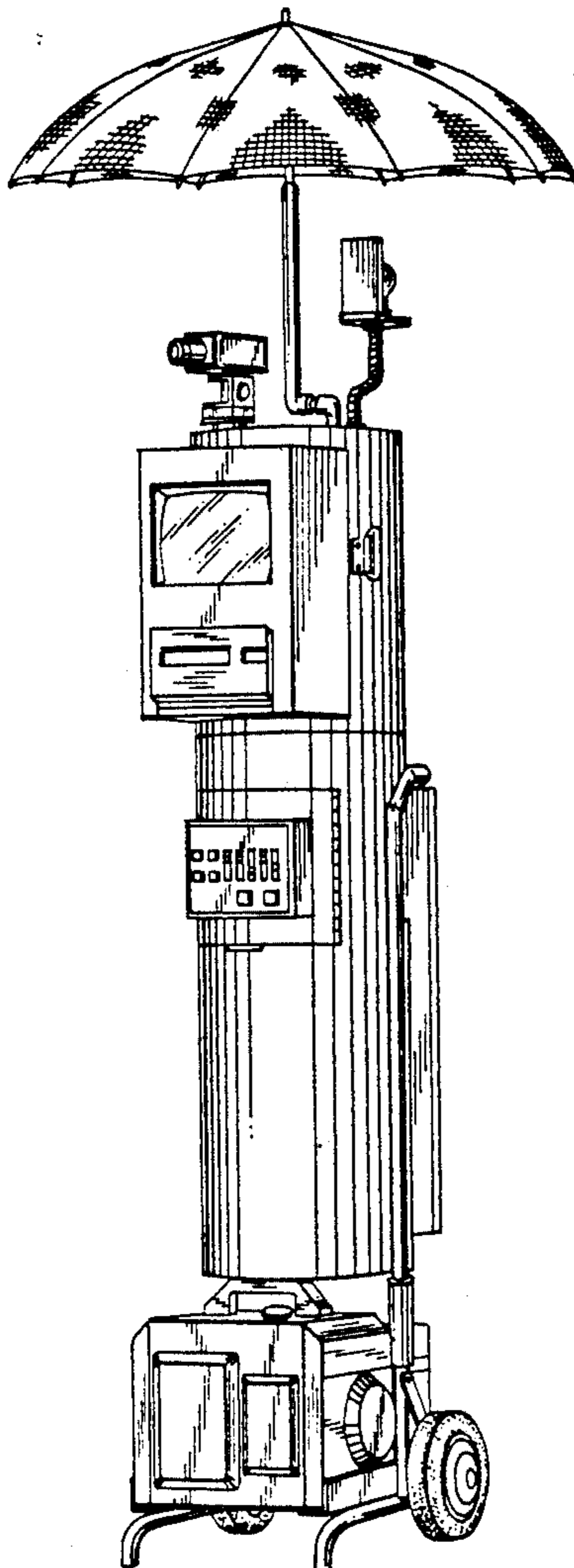
FIG. 8 is a front perspective view thereof; and

FIG. 9 is a rear perspective view thereof.

[56] **References Cited**

U.S. PATENT DOCUMENTS

D. 217,396	4/1970	Gentile et al.	D16/202
D. 252,686	8/1979	Viering	D16/209
D. 310,075	8/1990	Mannion et al.	D14/129
2,990,764	7/1961	Wilder	354/81
3,677,573	7/1972	Chin	280/47.24
4,166,687	9/1979	Viering	354/293



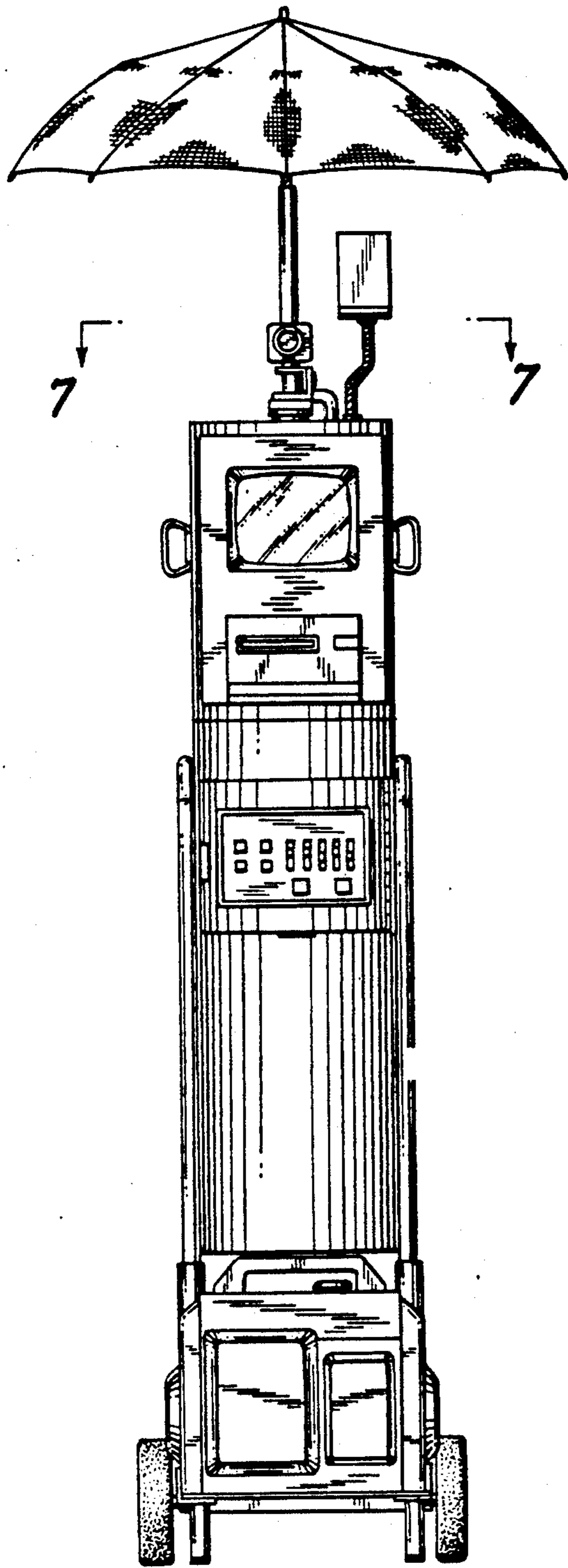


FIG. 1

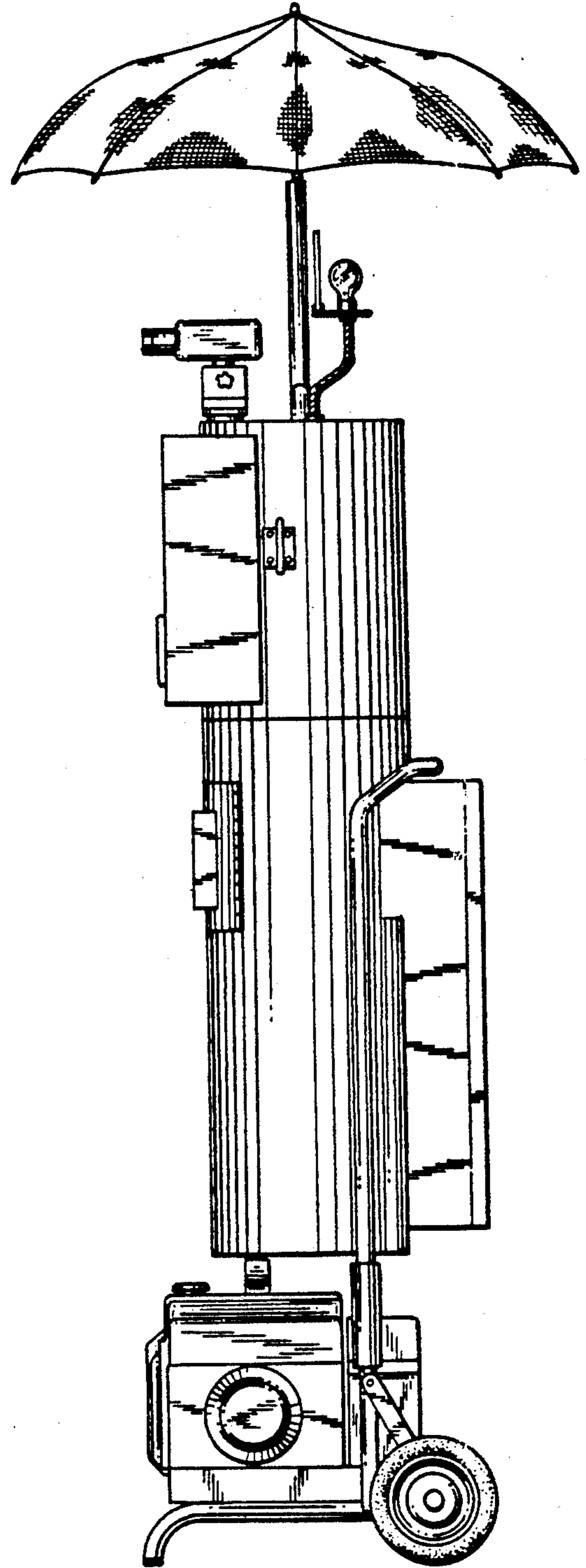


FIG. 2

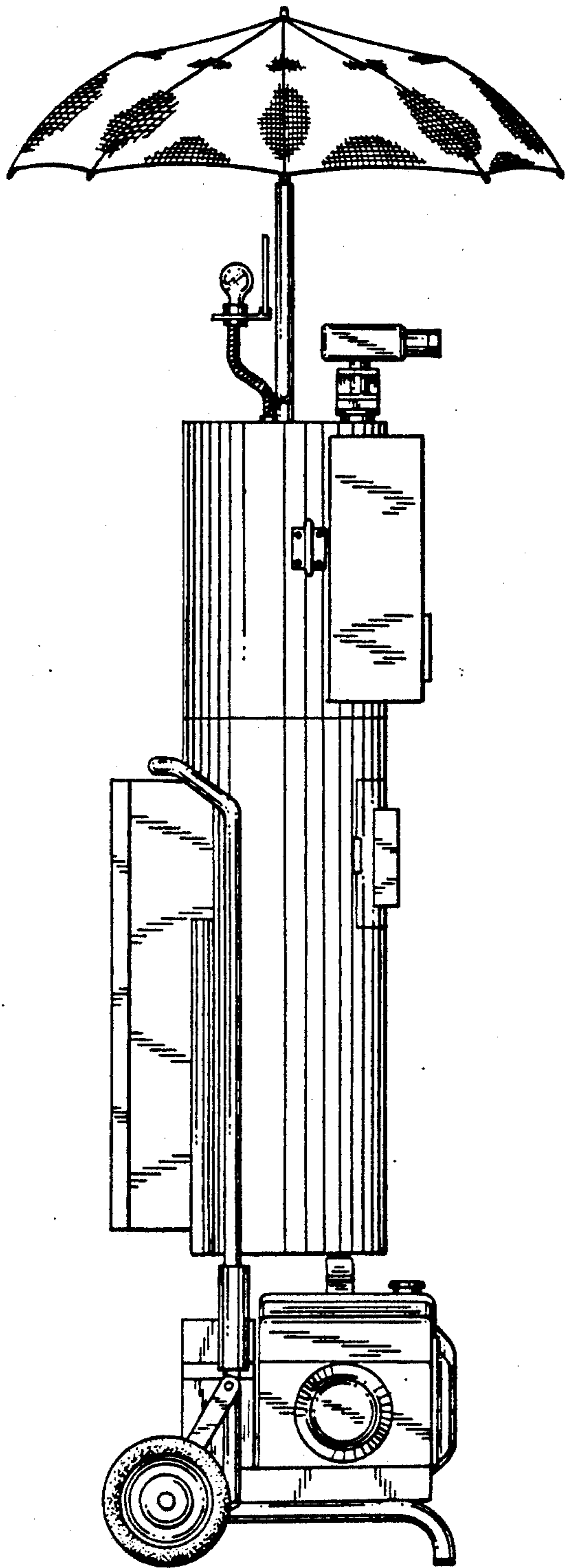


FIG. 3

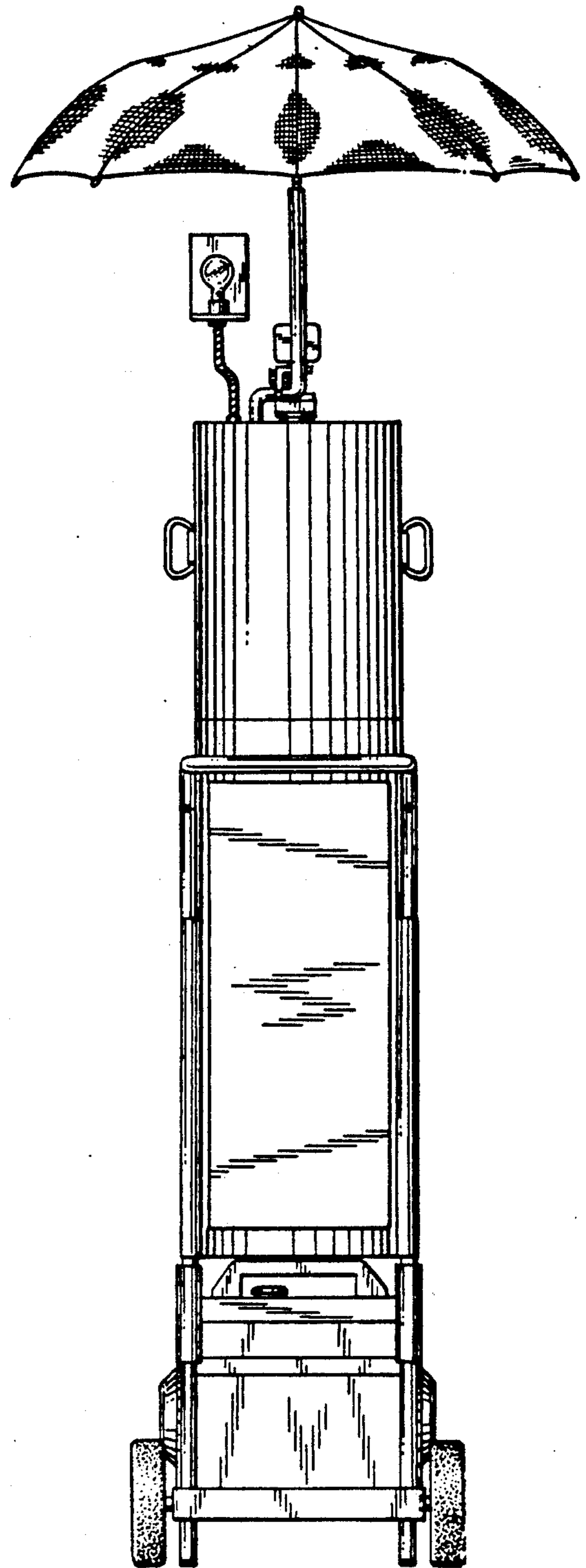


FIG. 4

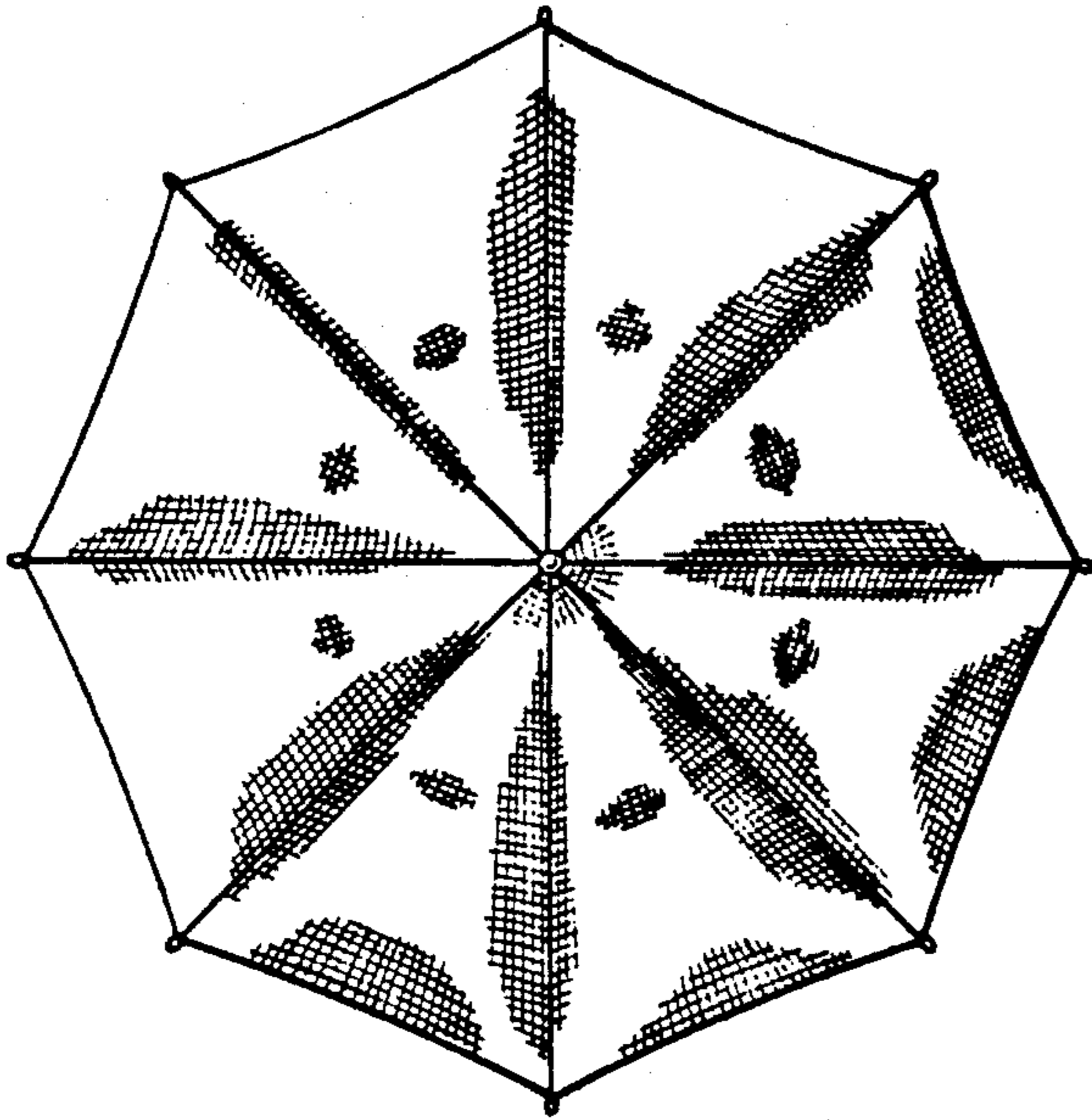


FIG. 5

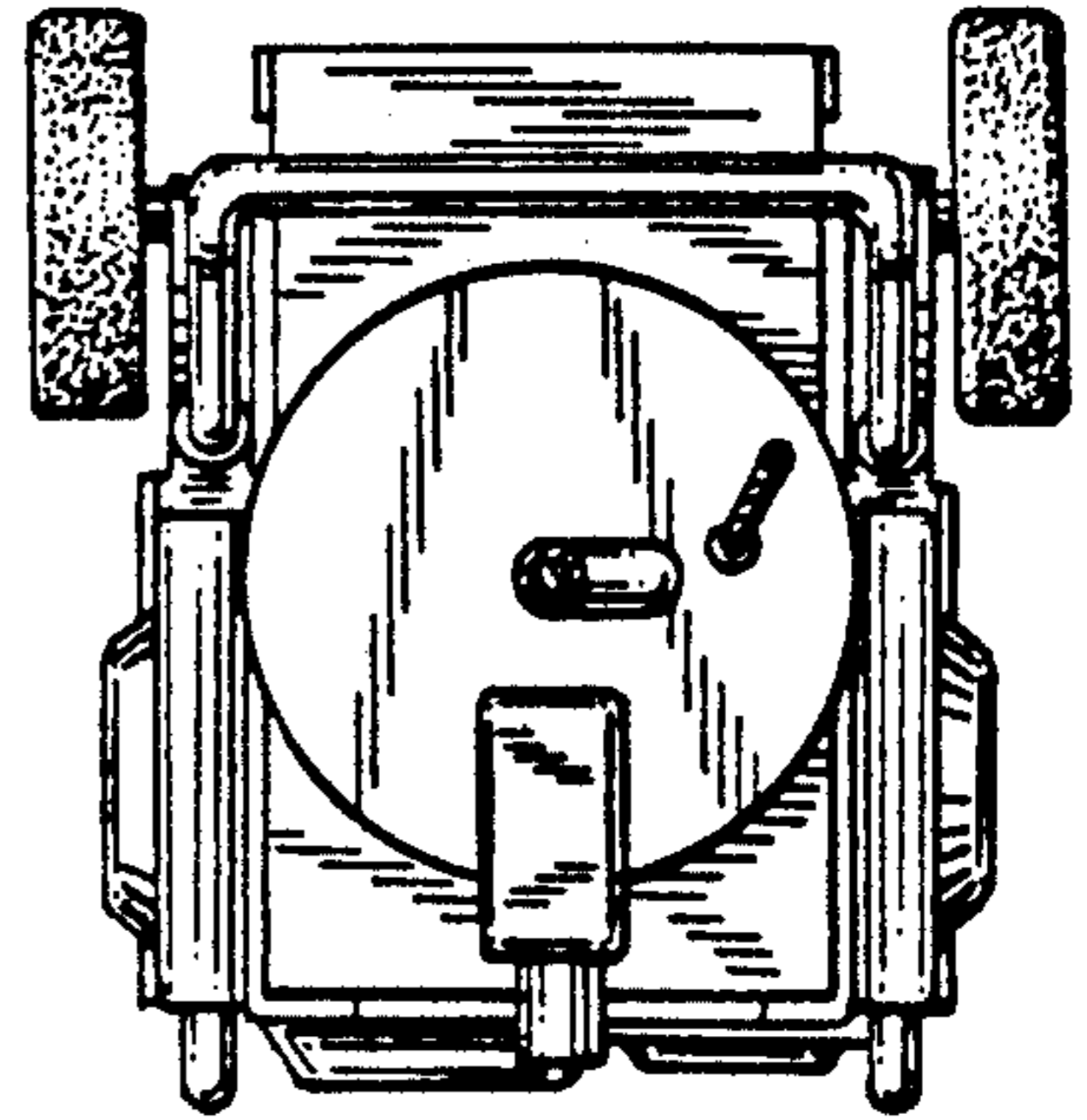


FIG. 7

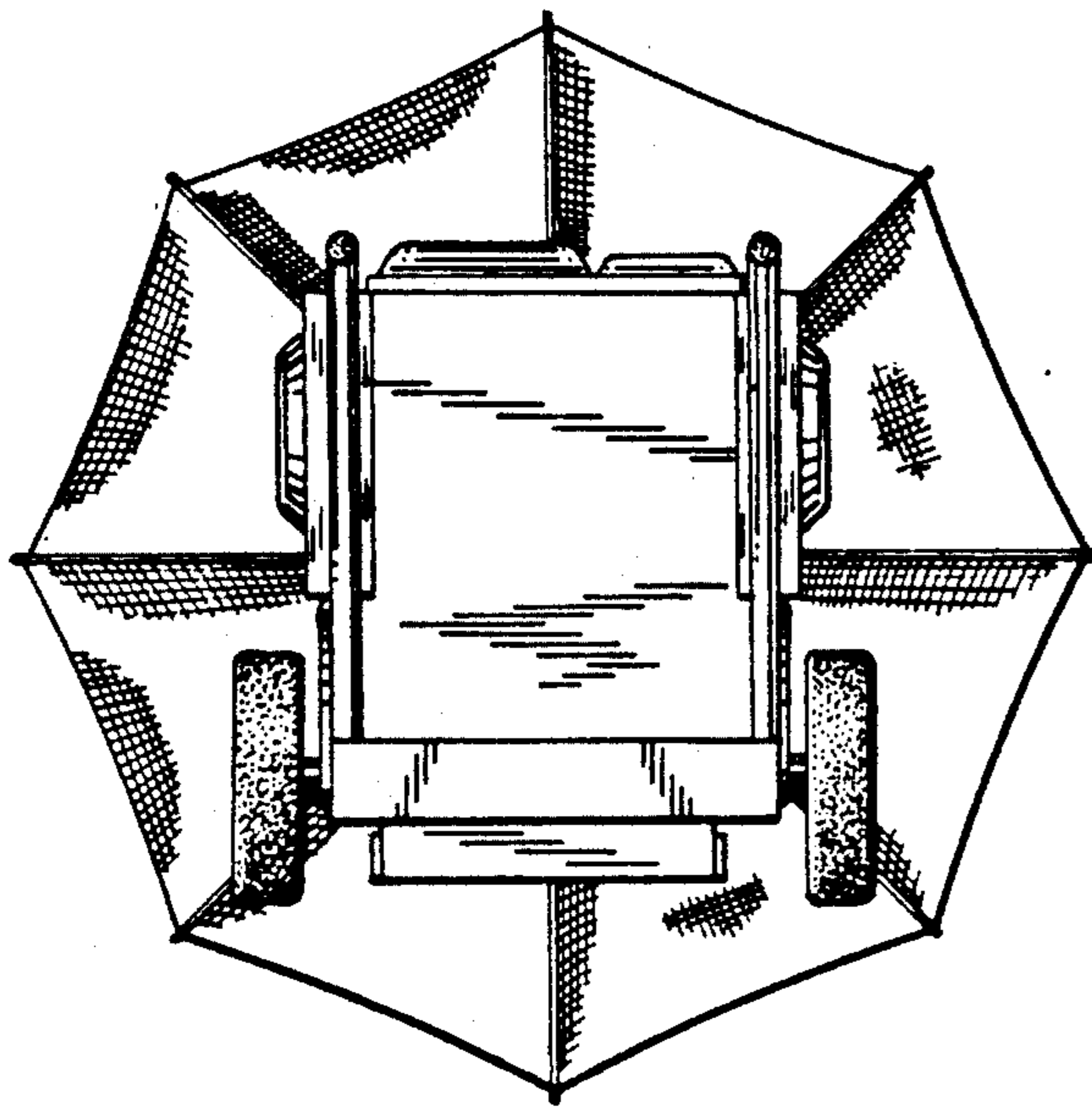


FIG. 6

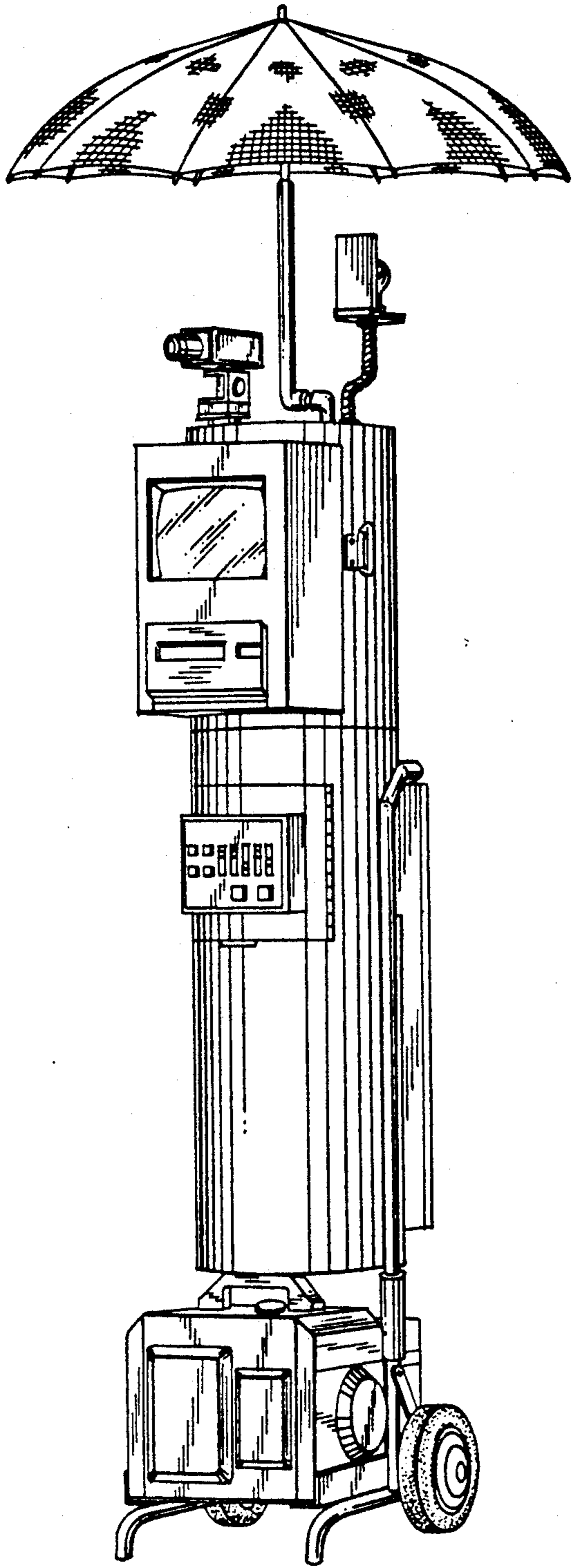


FIG. 8

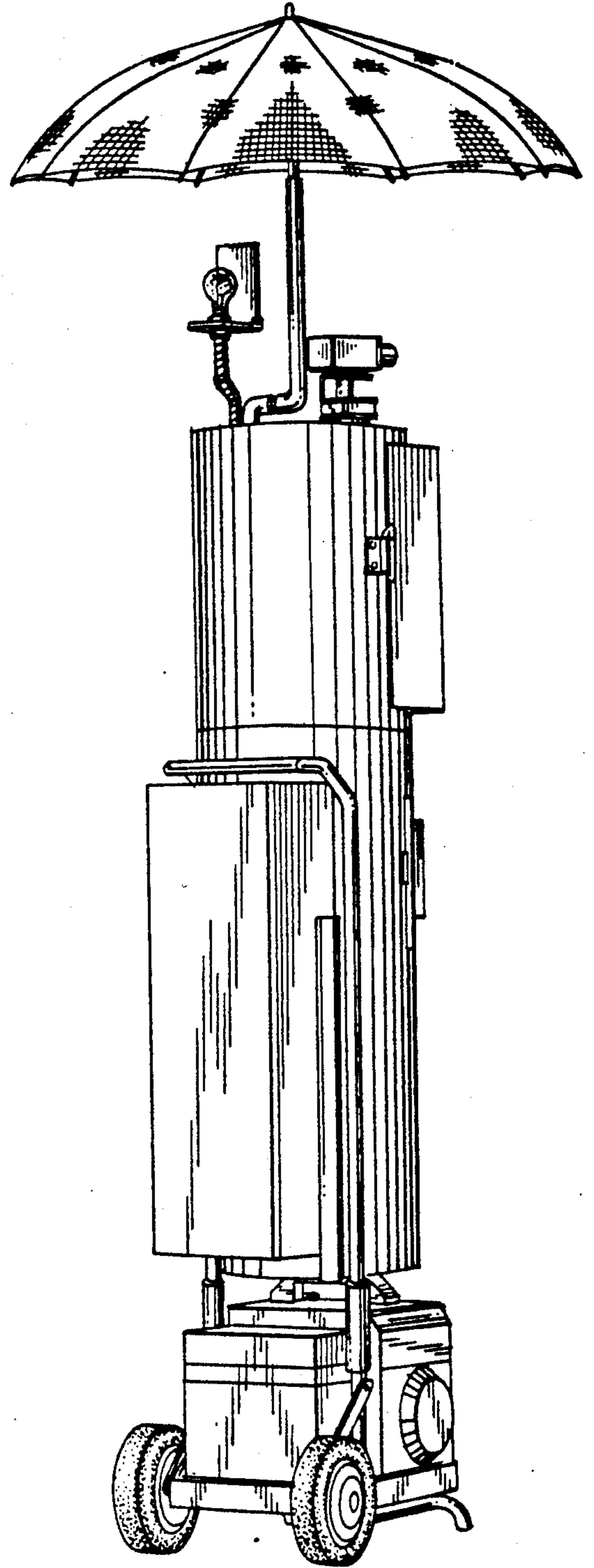


FIG. 9