

[54] COMBINED HAND HELD COMPUTER AND CASE

[75] Inventors: John J. Daly, San Carlos; Graham P. Lloyd, Fremont, both of Calif.

[73] Assignee: Grid Systems Corporation, Fremont, Calif.

[\*\*] Term: 14 Years

[21] Appl. No.: 365,057

[22] Filed: Jun. 12, 1989

[52] U.S. Cl. .... D14/100

[58] Field of Search ..... D14/100, 105, 106, 107, D14/109, 113, 115; D18/1, 7, 11, 12; 340/700, 706, 711, 712; 341/22, 23; 235/145 A, 145 R; 358/249, 254; 364/706-710; 400/477, 485, 486, 488, 489, 681, 682, 685, 691; 312/208; 434/202, 227; D28/78

[56] References Cited

U.S. PATENT DOCUMENTS

- D. 255,125 5/1980 Hazama et al. .... D18/7
- D. 279,688 7/1985 Kitai et al. .... D18/7
- D. 309,749 8/1990 Ido ..... D18/7
- D. 310,093 8/1990 Sakaguchi et al. .... D18/7
- D. 312,076 11/1990 Miller et al. .... D14/106

- 3,217,154 11/1965 Owen ..... D28/78 X
- 4,229,726 10/1980 Deaton et al. .... 341/22 X

Primary Examiner—Wallace R. Burke  
Assistant Examiner—Freda S. Nunn  
Attorney, Agent, or Firm—Townsend & Townsend

[57] CLAIM

The ornamental design for a combined hand held computer and case, as shown and described.

DESCRIPTION

FIG. 1 is a top, front, left side perspective view of a combined hand held computer and case showing our new design, with the cover being shown in the opened condition;

FIG. 2 is a top, rear, left side perspective view thereof, with the cover being shown in the fully folded back condition;

FIG. 3 is a top, front, left side perspective view thereof;

FIG. 4 is a top plan view thereof;

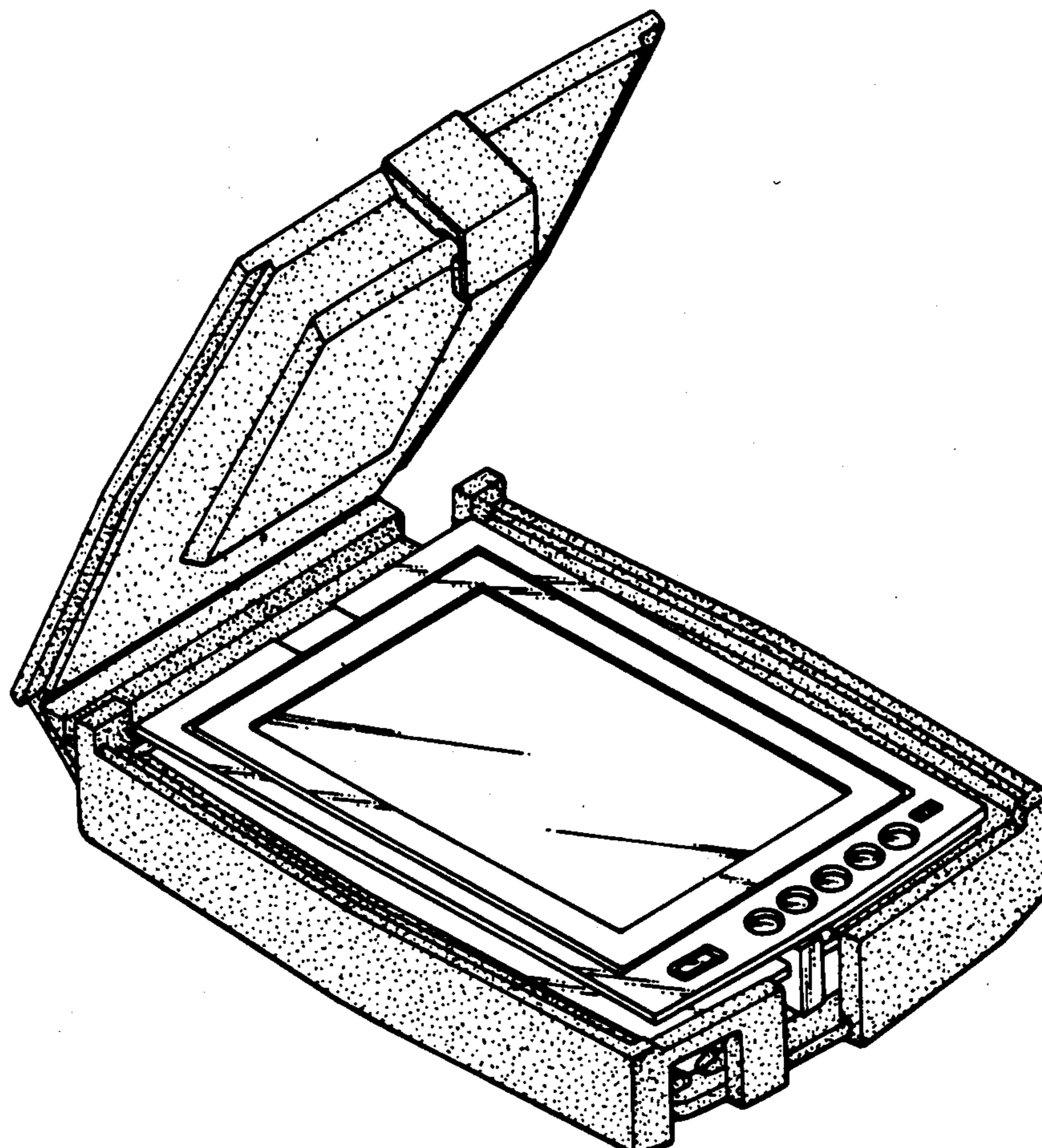
FIG. 5 is a rear end elevational view thereof;

FIG. 6 is a front end elevational view thereof;

FIG. 7 is a bottom plan view thereof;

FIG. 8 is a left side elevational view thereof, the right side elevational view being a mirror image.

The computer is shown in the closed position in FIGS. 3-8.



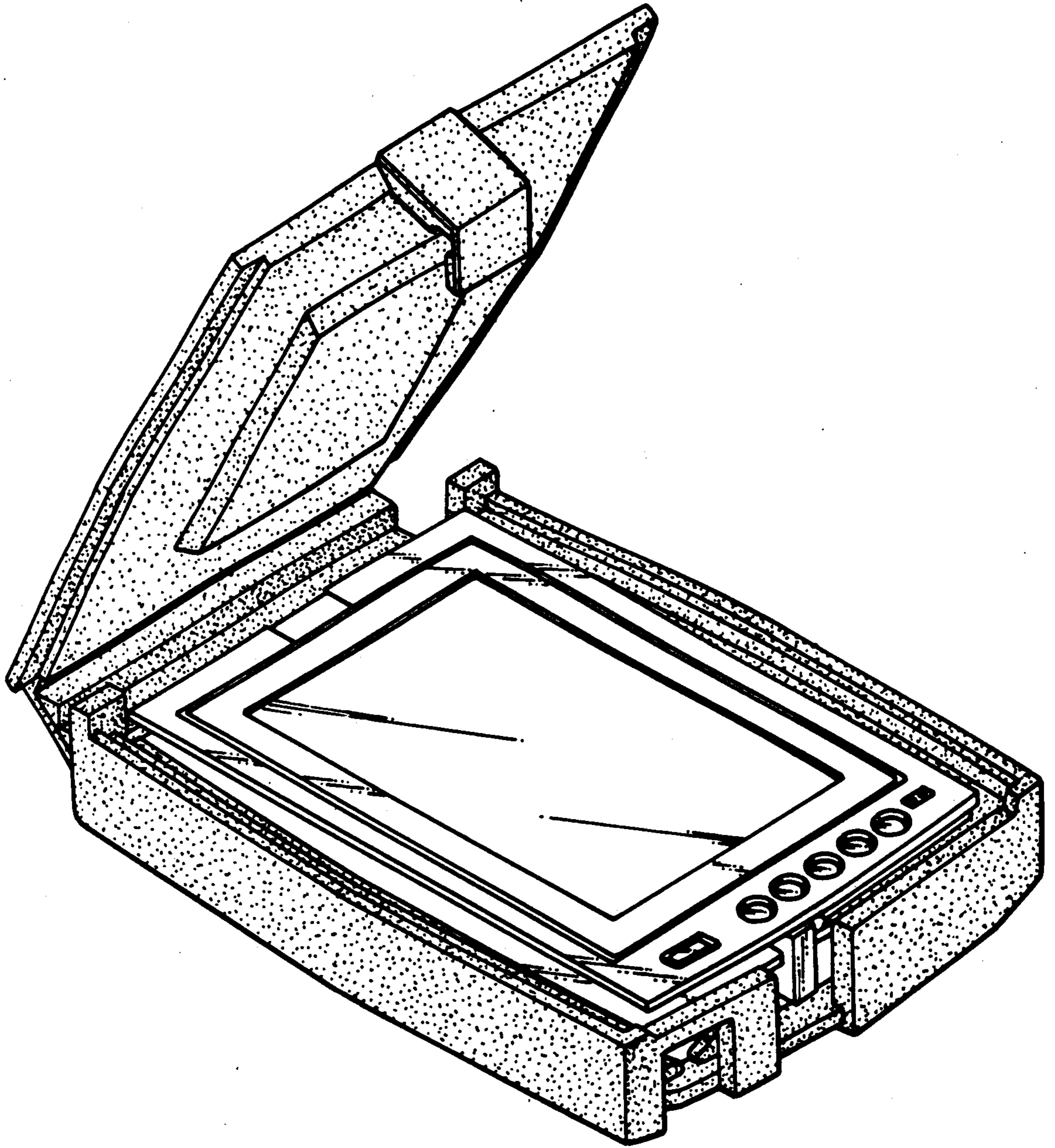


FIG. 1.



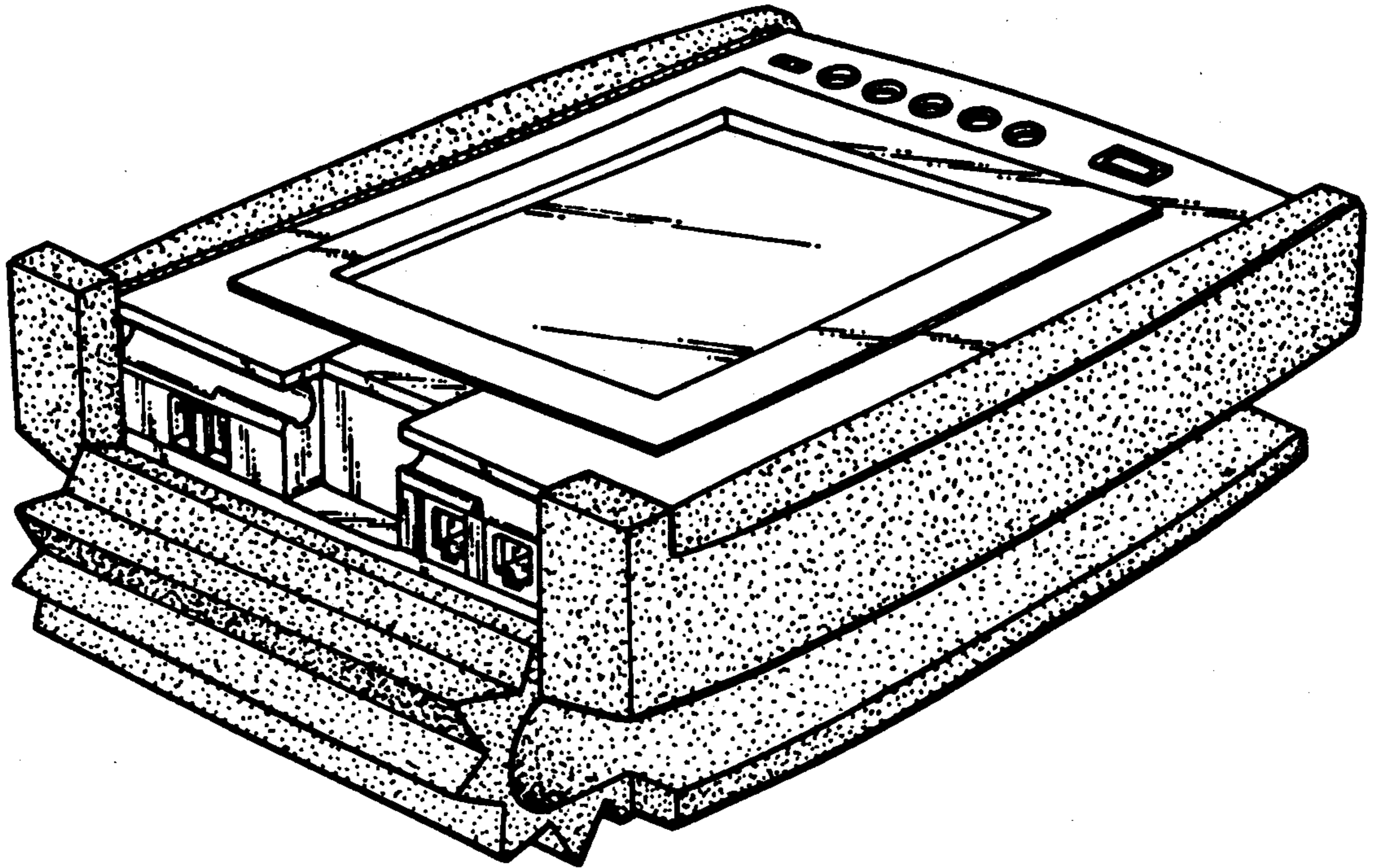


FIG. 2.

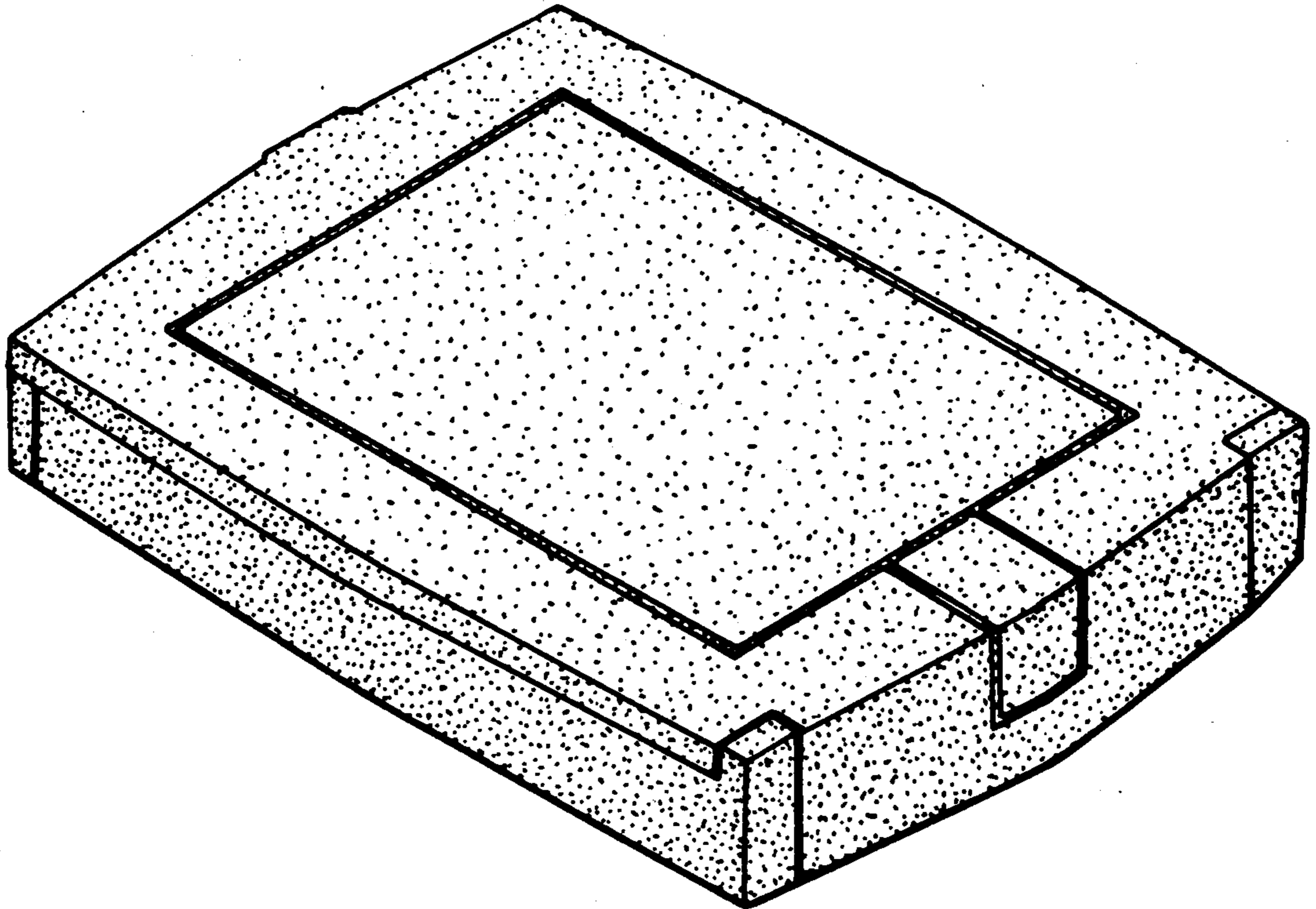


FIG. 3.

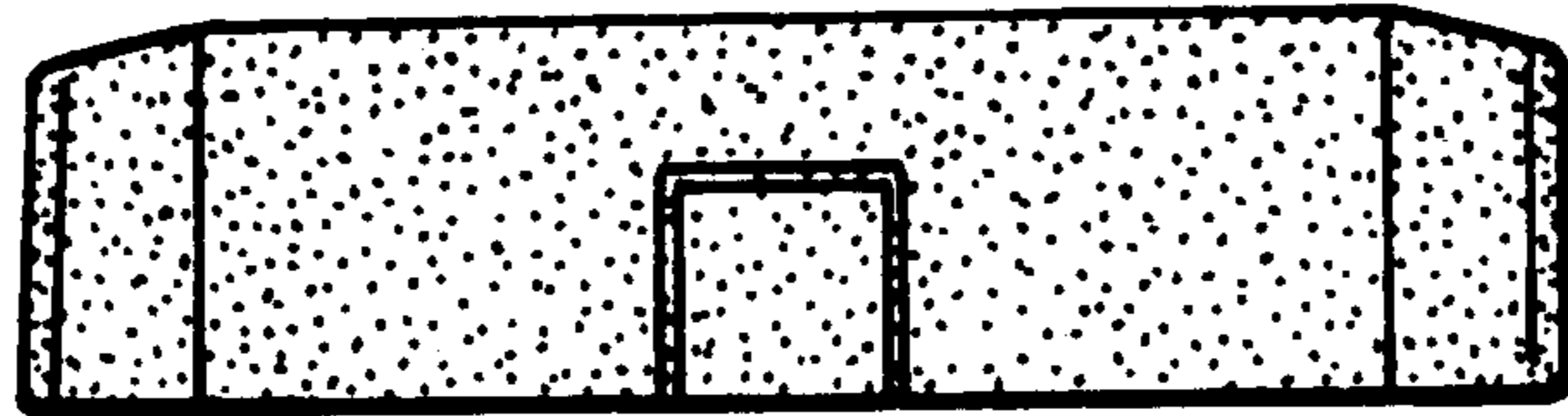


FIG.\_5.

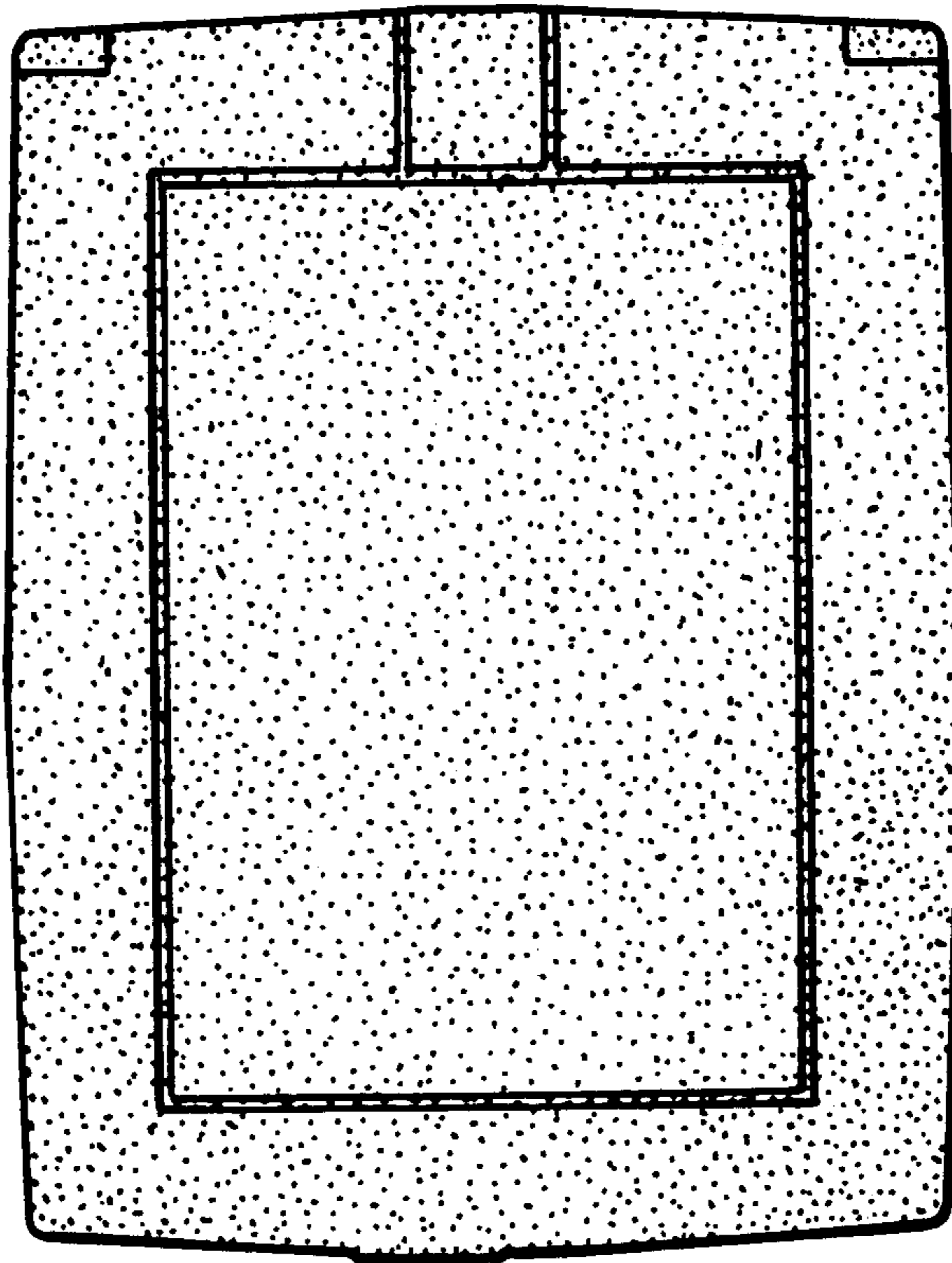


FIG.\_4.

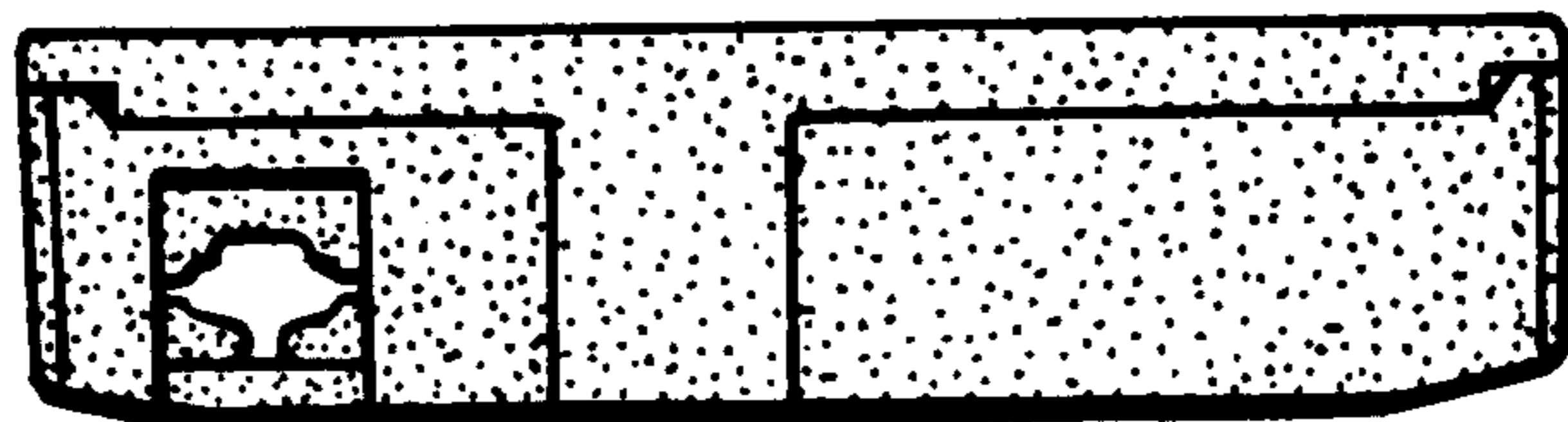
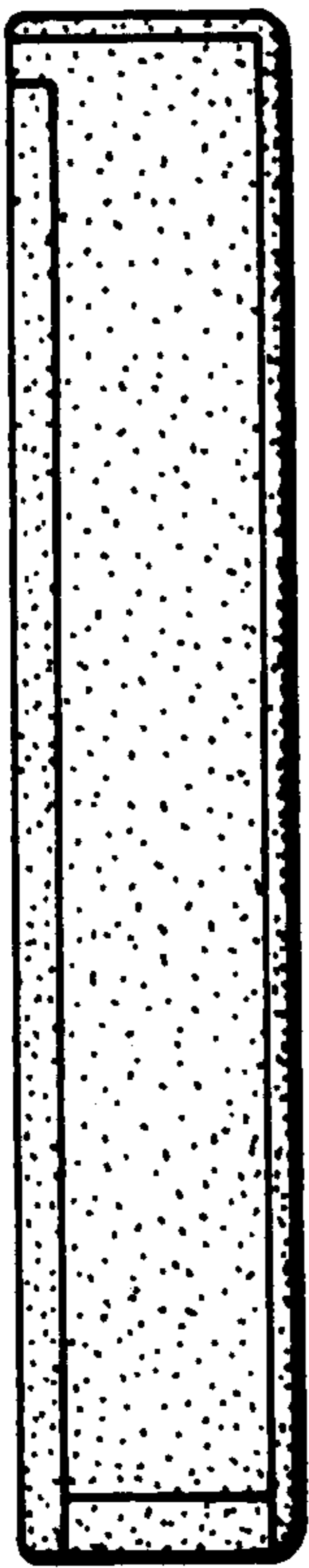
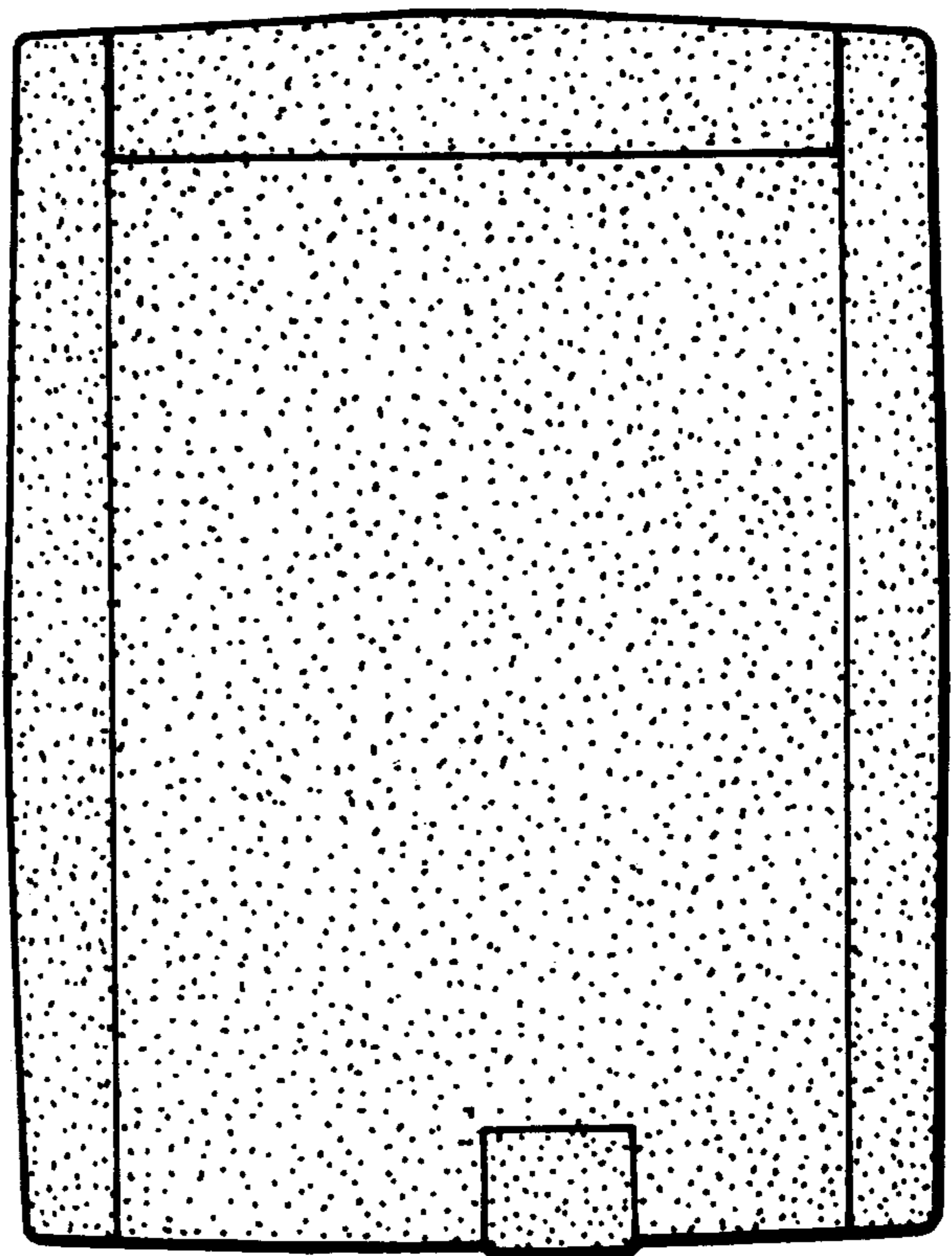


FIG.\_6.



**FIG. 8.**



**FIG. 7.**