

[54] COMBINED JUNCTION BOX, RECEPTACLE UNIT AND FACE PLATE

[76] Inventor: Patrick C. Scholl, 370 N. SR 101, Tiffin, Ohio 44883

[\*\*] Term: 14 Years

[21] Appl. No.: 282,297

[22] Filed: Dec. 9, 1988

[52] U.S. Cl. .... D13/137

[58] Field of Search ..... D13/123, 138-139, D13/152; D8/350, 353; 200/49, 51 R, 333; 174/50, 50.52, 52.1, 53, 54, 55, 58, 66-67

[56] References Cited

U.S. PATENT DOCUMENTS

- 3,775,726 11/1973 Gress ..... 200/51 R X
- 4,166,934 9/1979 Marrero ..... 200/51 R
- 4,756,695 7/1988 Lane et al. .... D8/353 X

OTHER PUBLICATIONS

Leviton Catalogue (1968), p. 8, Receptacle No. 5014.  
Leviton Catalogue (1968), p. 9, Wall Plate No. 86003.

Primary Examiner—Wallace R. Burke  
Assistant Examiner—Brian N. Vinson  
Attorney, Agent, or Firm—Jerry T. Kearns

[57] CLAIM

The ornamental design for a combined junction box, receptacle unit and face-plate, as shown and described.

DESCRIPTION

FIG. 1 is a front elevational view of a combined electrical junction box receptacle unit and face-plate showing my new design;

FIG. 2 is a rear elevational view thereof;

FIG. 3 is an exploded left side elevational view thereof;

FIG. 4 is an exploded right side elevational view thereof;

FIG. 5 is an exploded top plan view thereof;

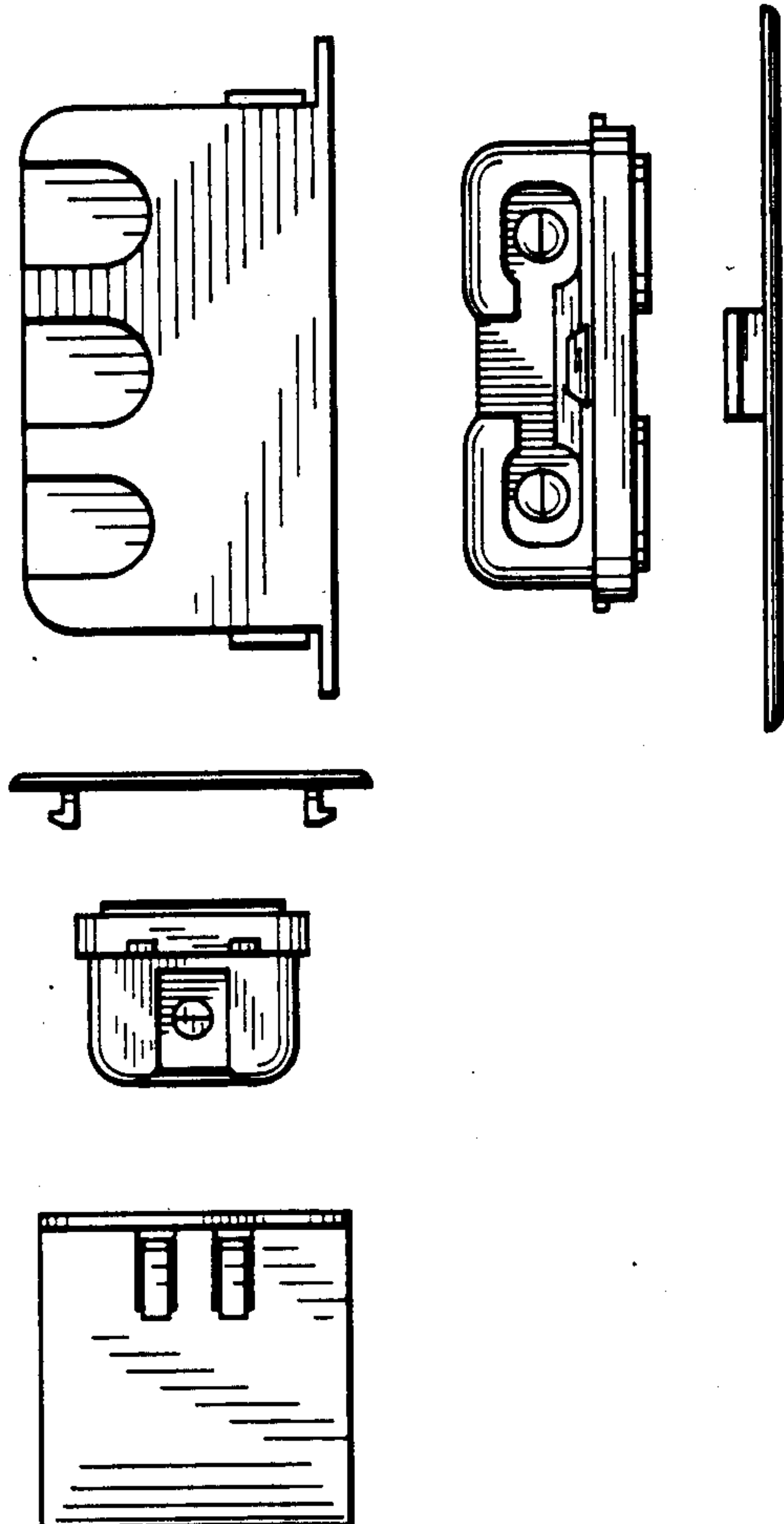
FIG. 6 is an exploded bottom plan view thereof;

FIG. 7 is a front elevational view of the receptacle portion thereof, with the other portions omitted for clarity of illustration;

FIG. 8 is a front elevational view of the junction box portion thereof, with the other portions omitted for clarity of illustration;

FIG. 9 is a rear elevational view of the face-plate portion thereof, with the other portions omitted for clarity of illustration; and

FIG. 10 is a rear elevational view of the receptacle portion thereof, with the other portions omitted for clarity of illustration.



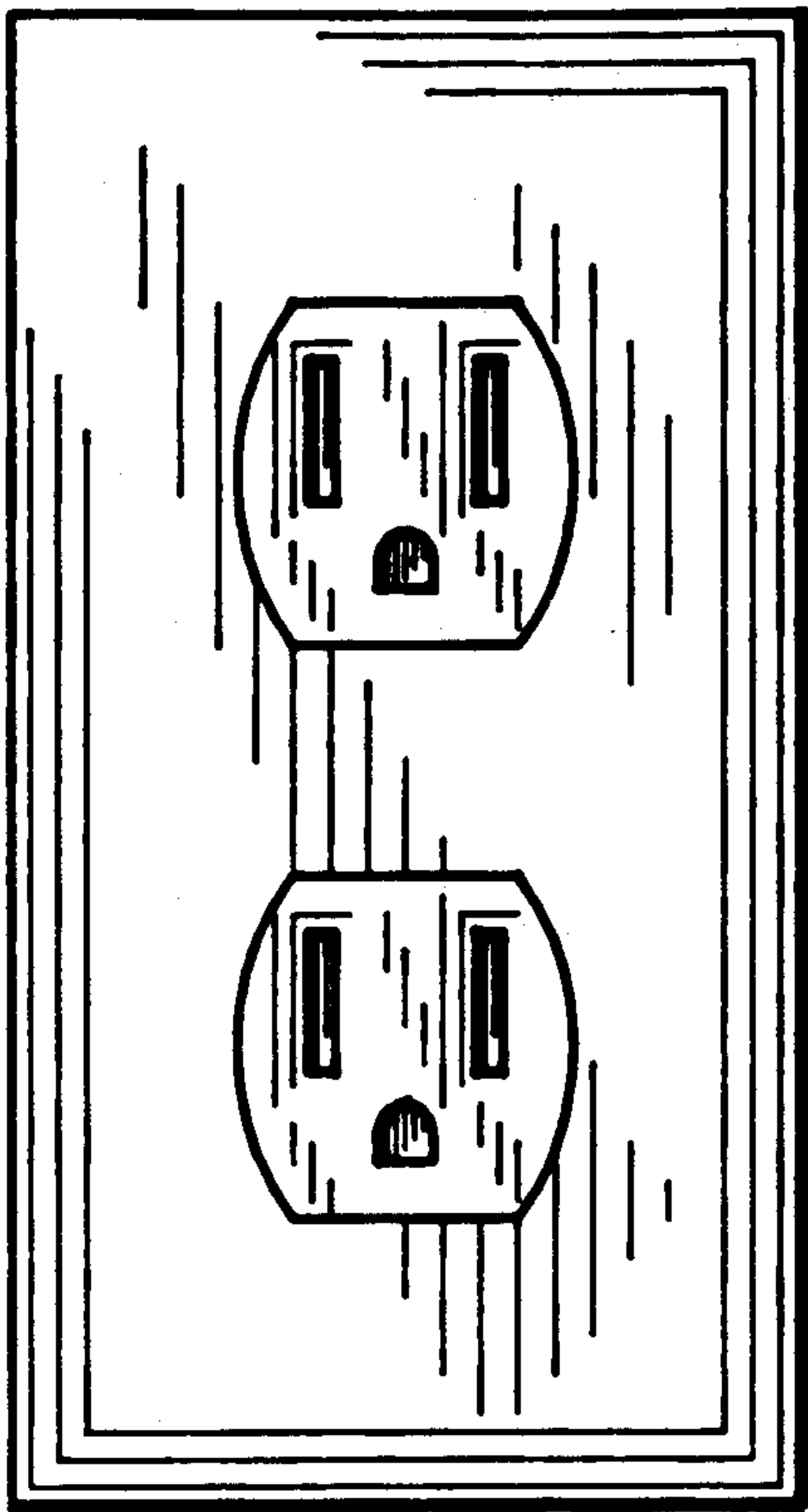


Fig. 1

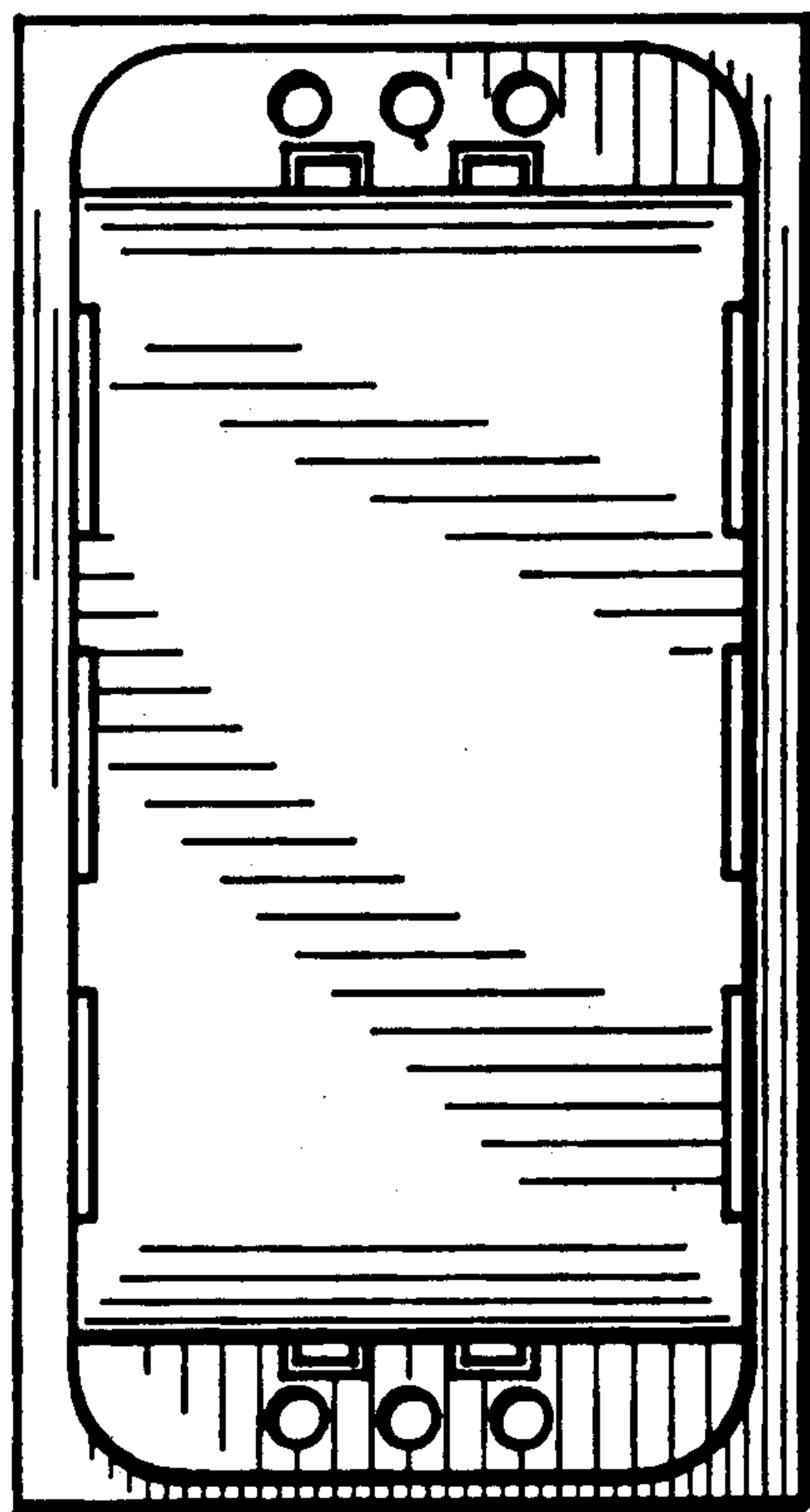


Fig. 2

Fig. 3

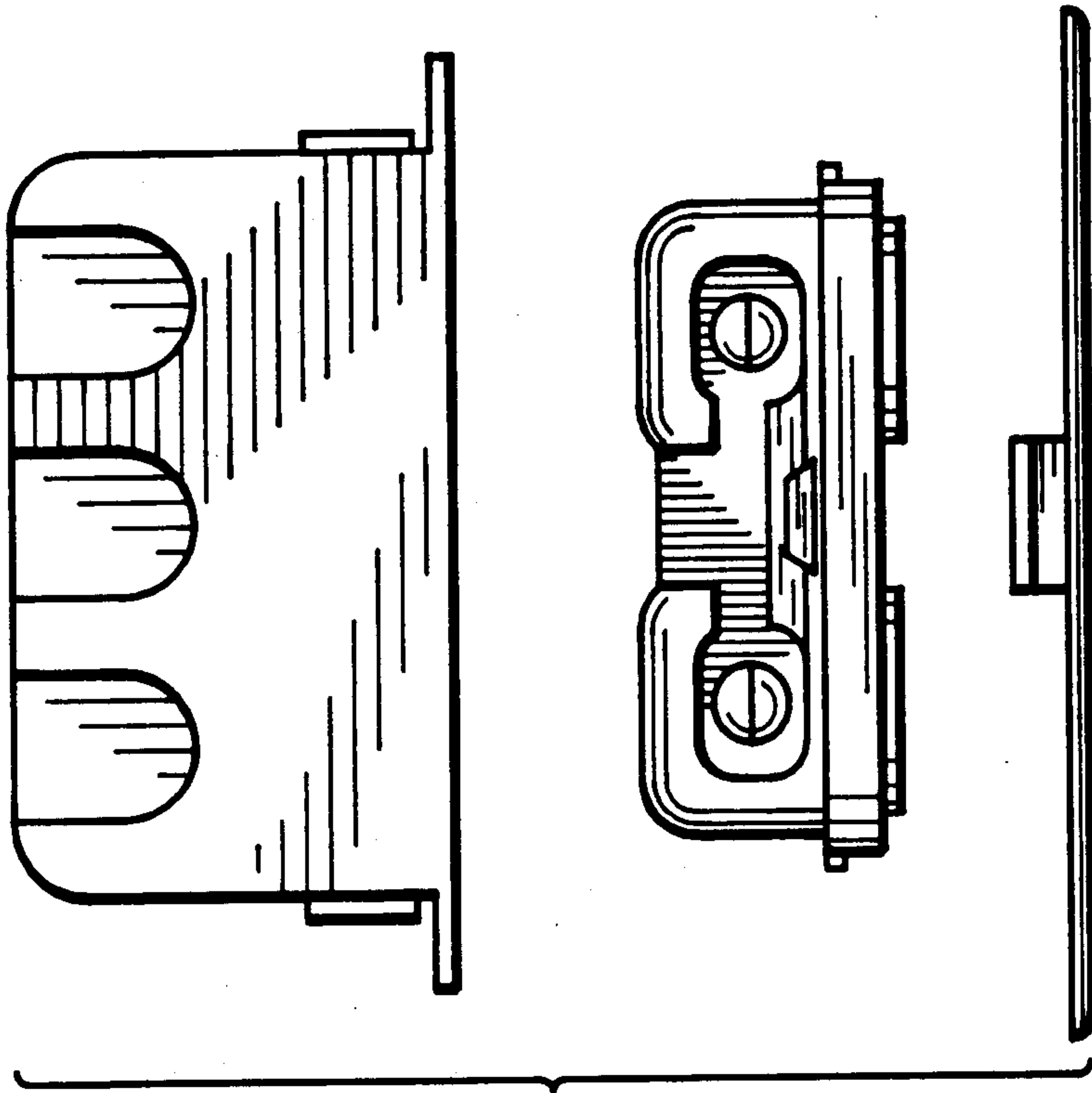


Fig. 4

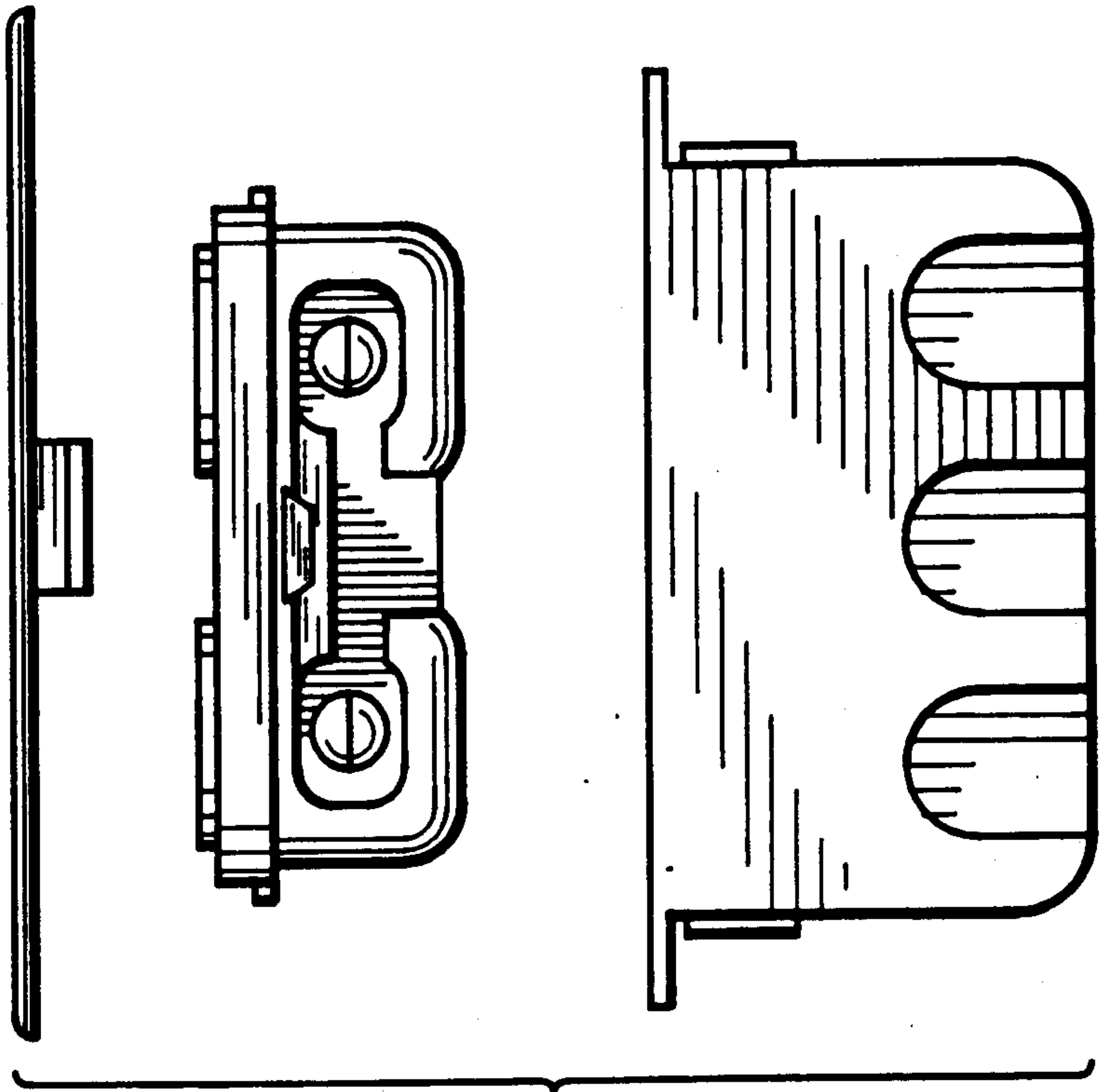


Fig. 5

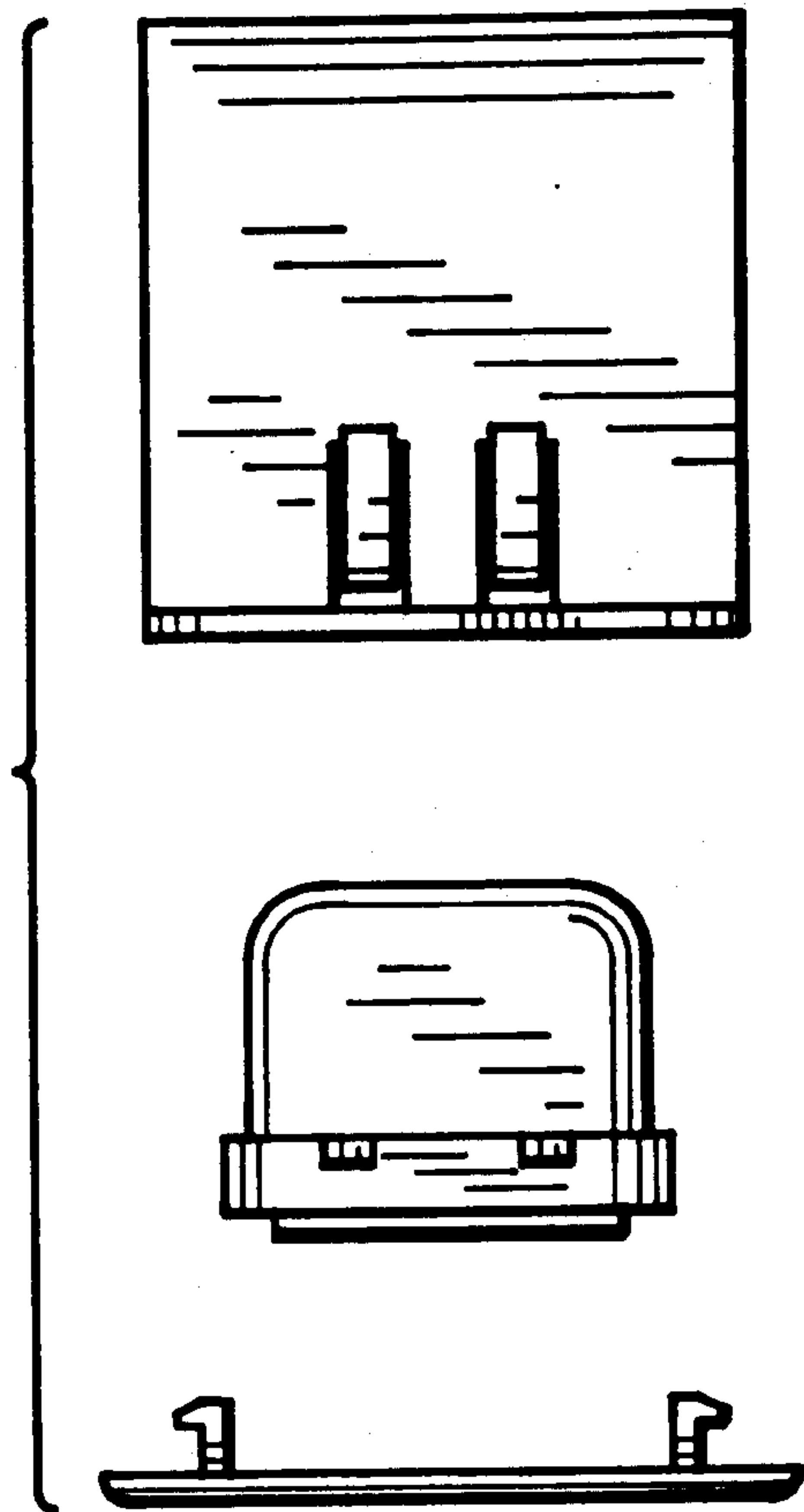
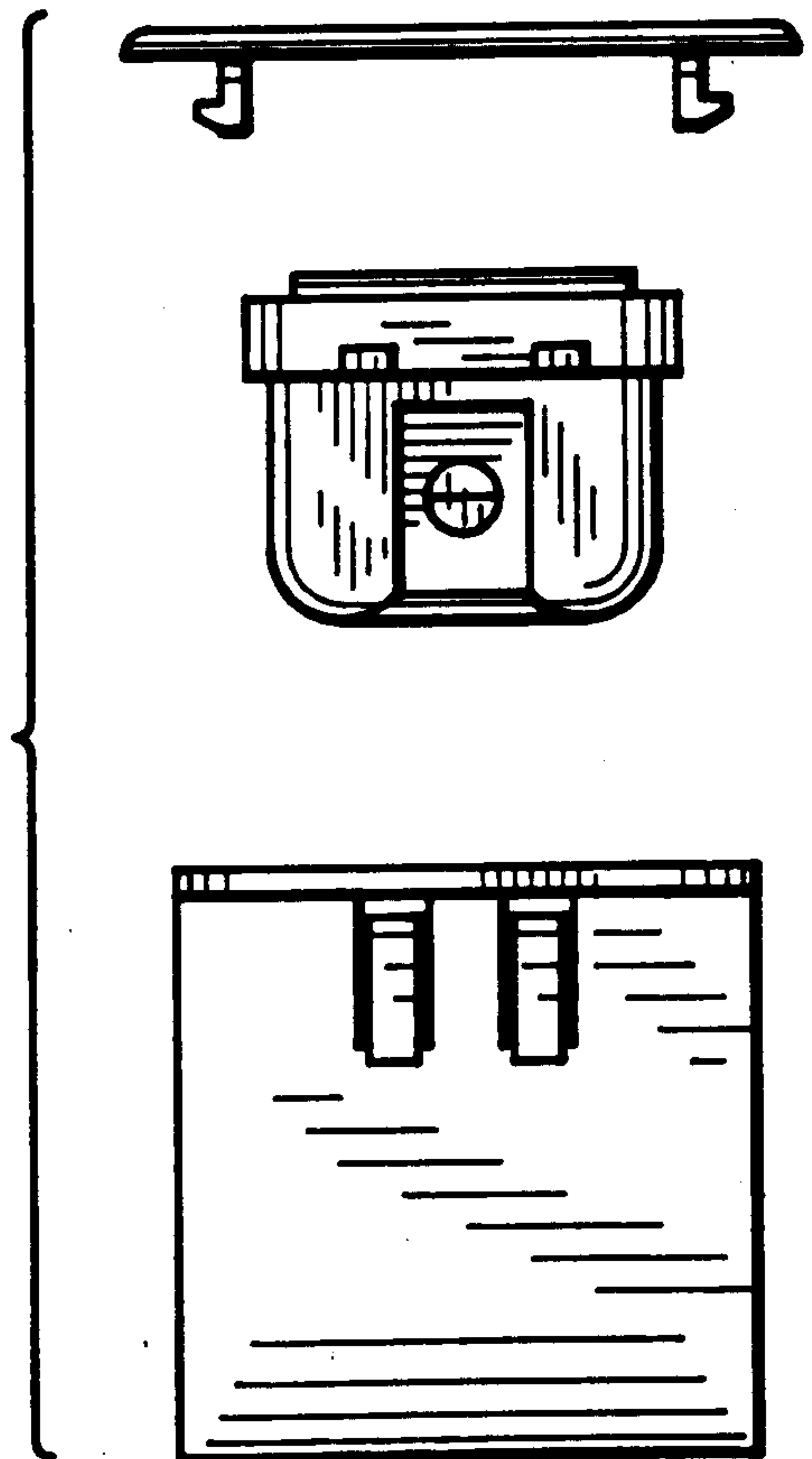


Fig. 6



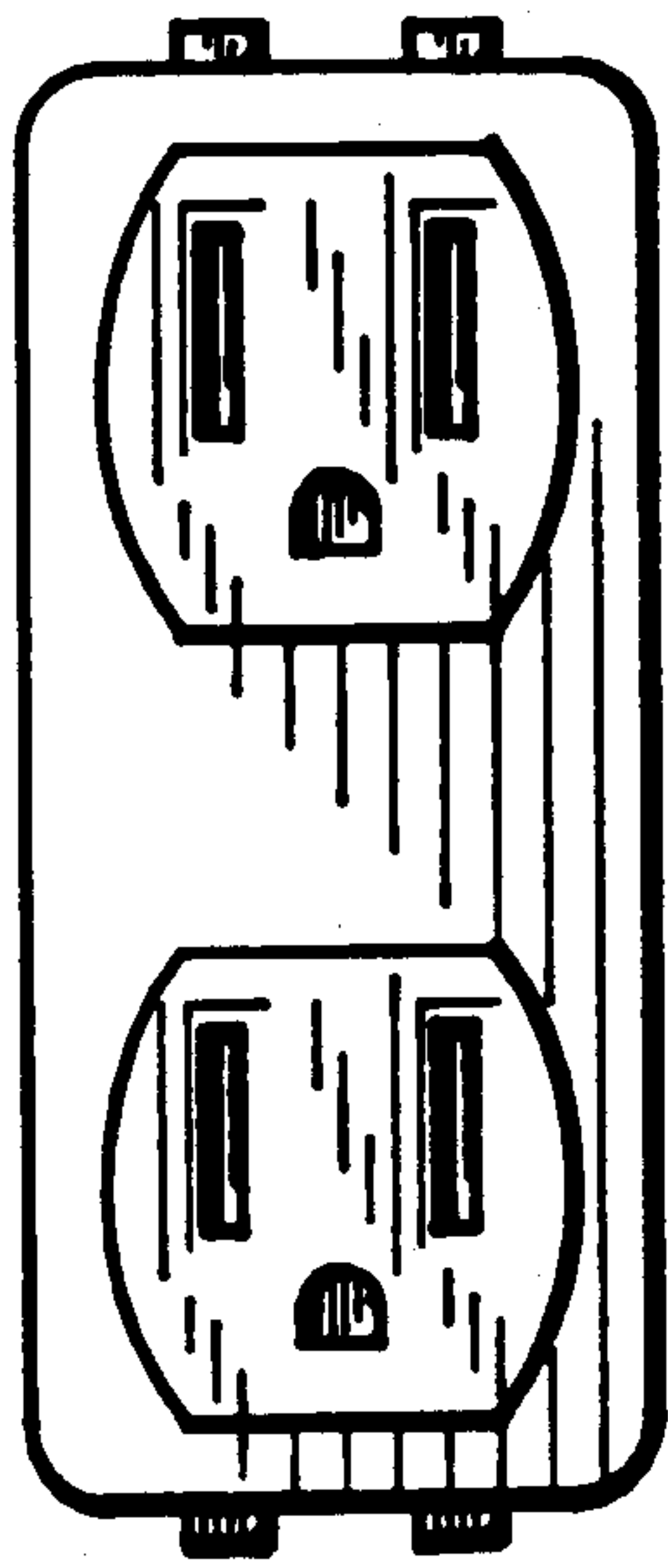


Fig. 7

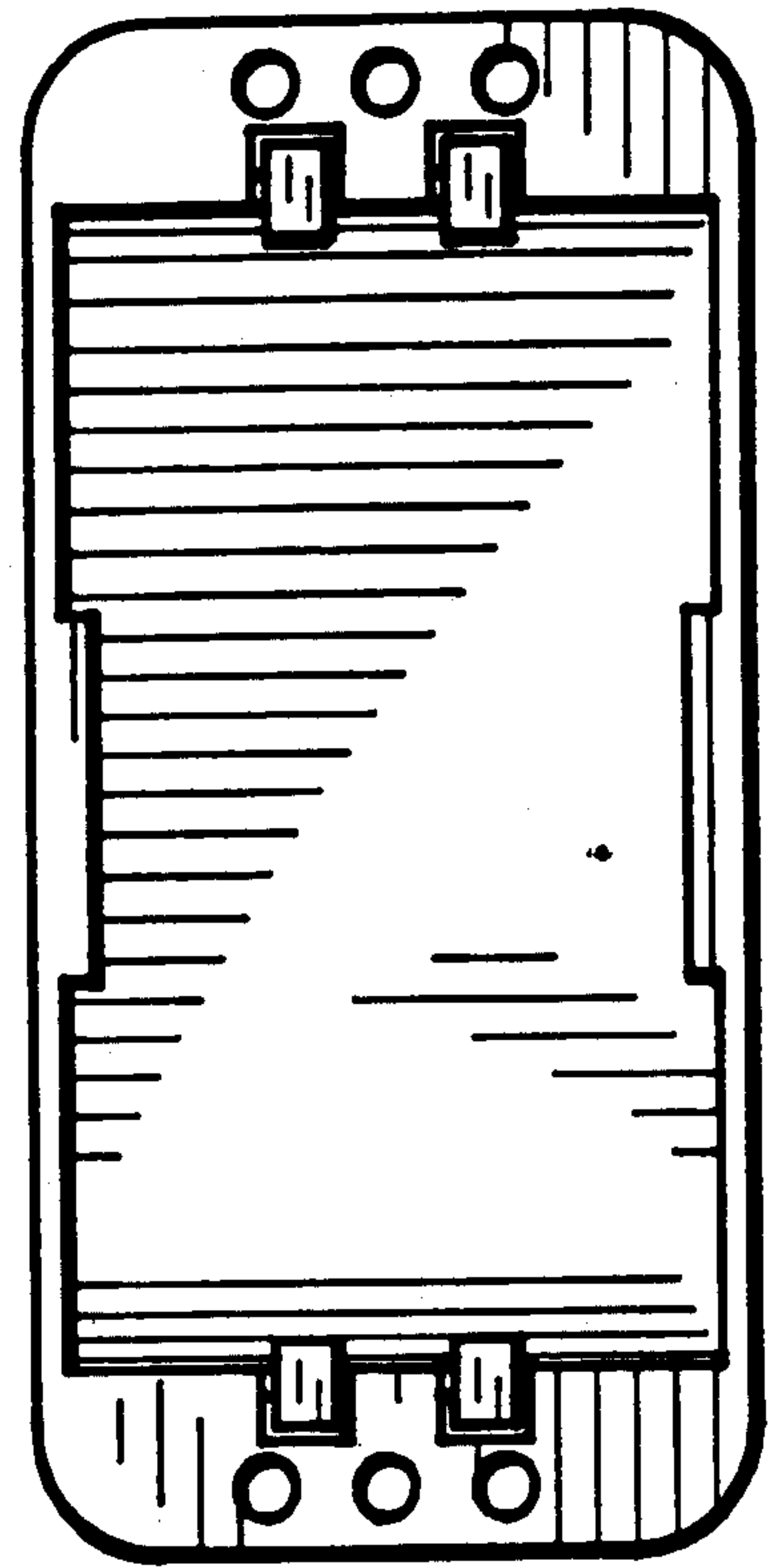


Fig. 8

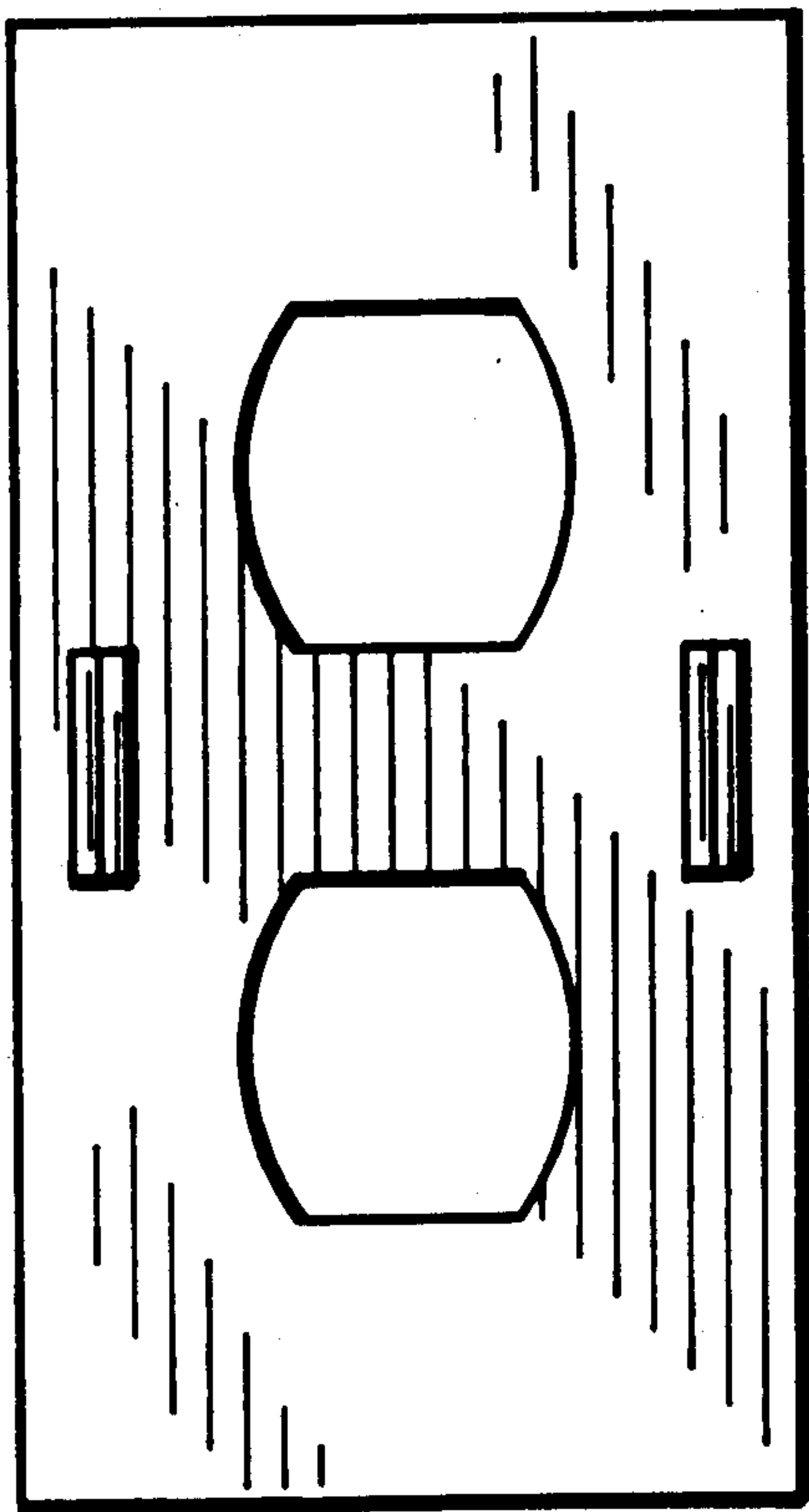


Fig. 9

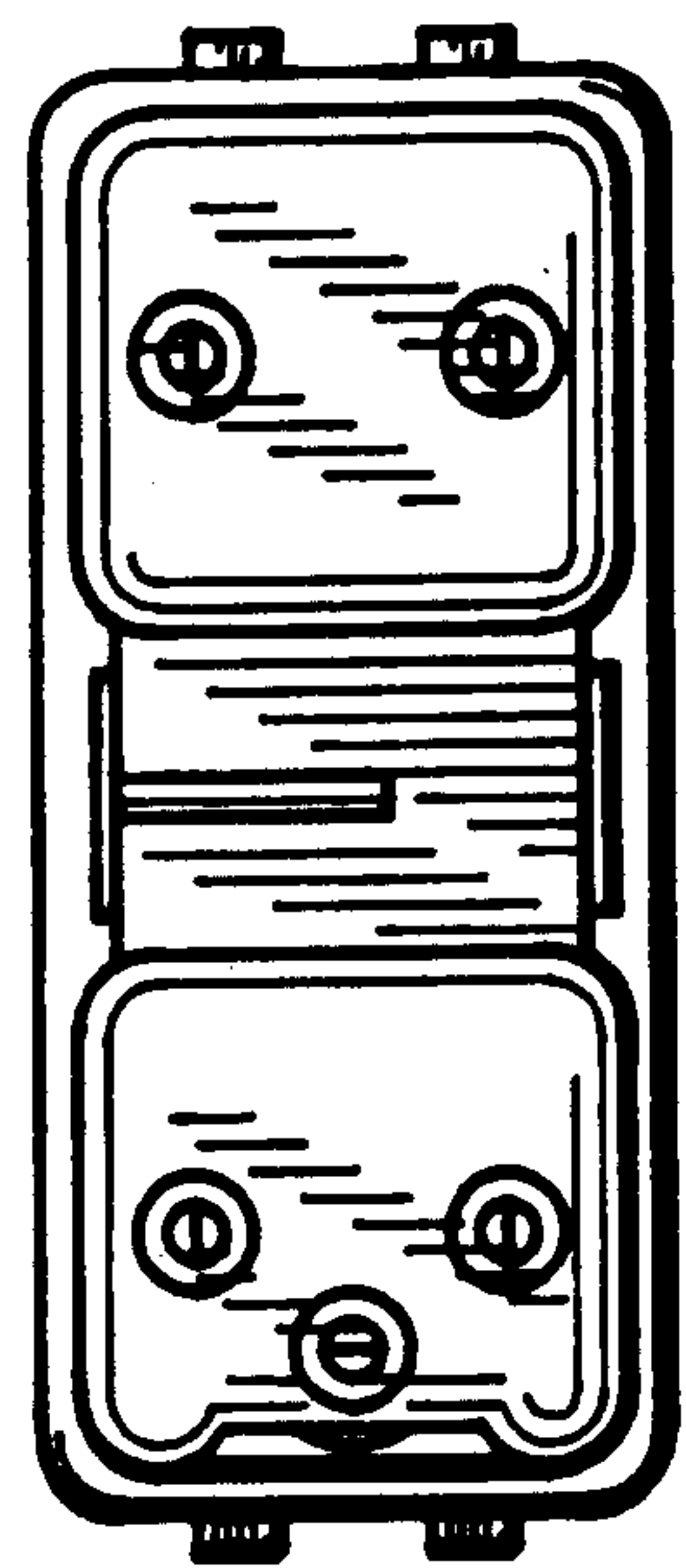


Fig. 10