

United States Patent [19]

Troncoso

[11] Patent Number: **Des. 318,838**

[45] Date of Patent: **** Aug. 6, 1991**

[54] **VEHICLE LICENSE PLATE FRAME**

[76] Inventor: **Vincent F. Troncoso, 14090- 6100 Rd., Montrose, Colo. 81401**

[**] Term: **14 Years**

[21] Appl. No.: **412,269**

[22] Filed: **Sep. 25, 1989**

[52] U.S. Cl. **D12/193**

[58] Field of Search **D12/193, 185; 40/209, 40/156**

[56]

References Cited

U.S. PATENT DOCUMENTS

D. 186,430 10/1959 Yoder D12/193
D. 263,696 4/1982 Regler D12/185
D. 272,240 1/1984 Berg D12/193

4,956,930 9/1990 Troncoso 40/209

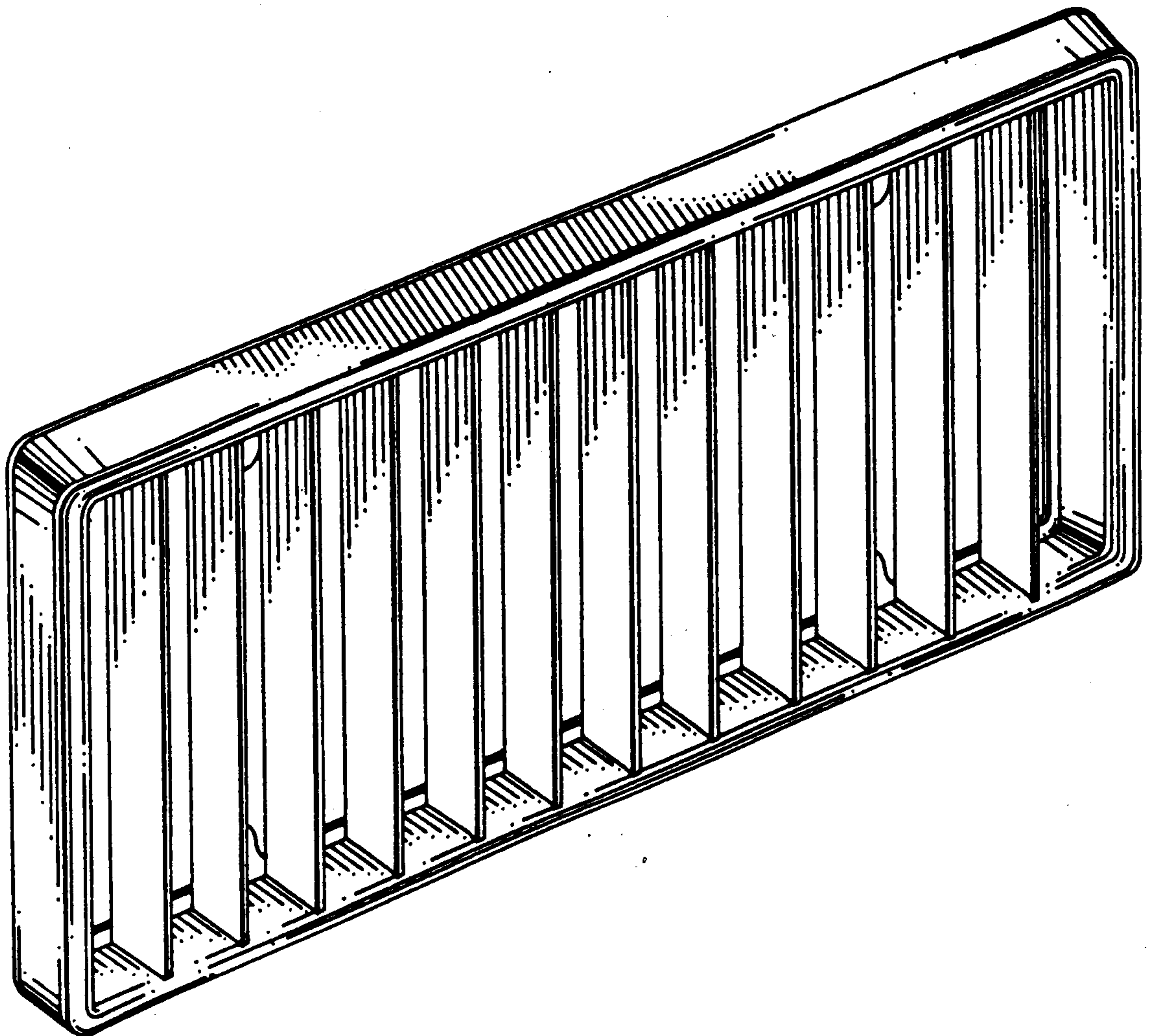
Primary Examiner—James M. Gandy
Attorney, Agent, or Firm—Donald E. Nist

[57] **CLAIM**

The ornamental design for a vehicle license plate frame, as shown and described.

DESCRIPTION

FIG. 1 is a perspective view of the top, front and side of a vehicle license plate frame showing my new design; FIG. 2 is a front elevation view thereof; FIG. 3 is a rear elevation view thereof; FIG. 4 is a side elevation view thereof, the opposite side being a mirror image of that shown; FIG. 5 is a top plan view thereof, the bottom being a mirror image of that shown.



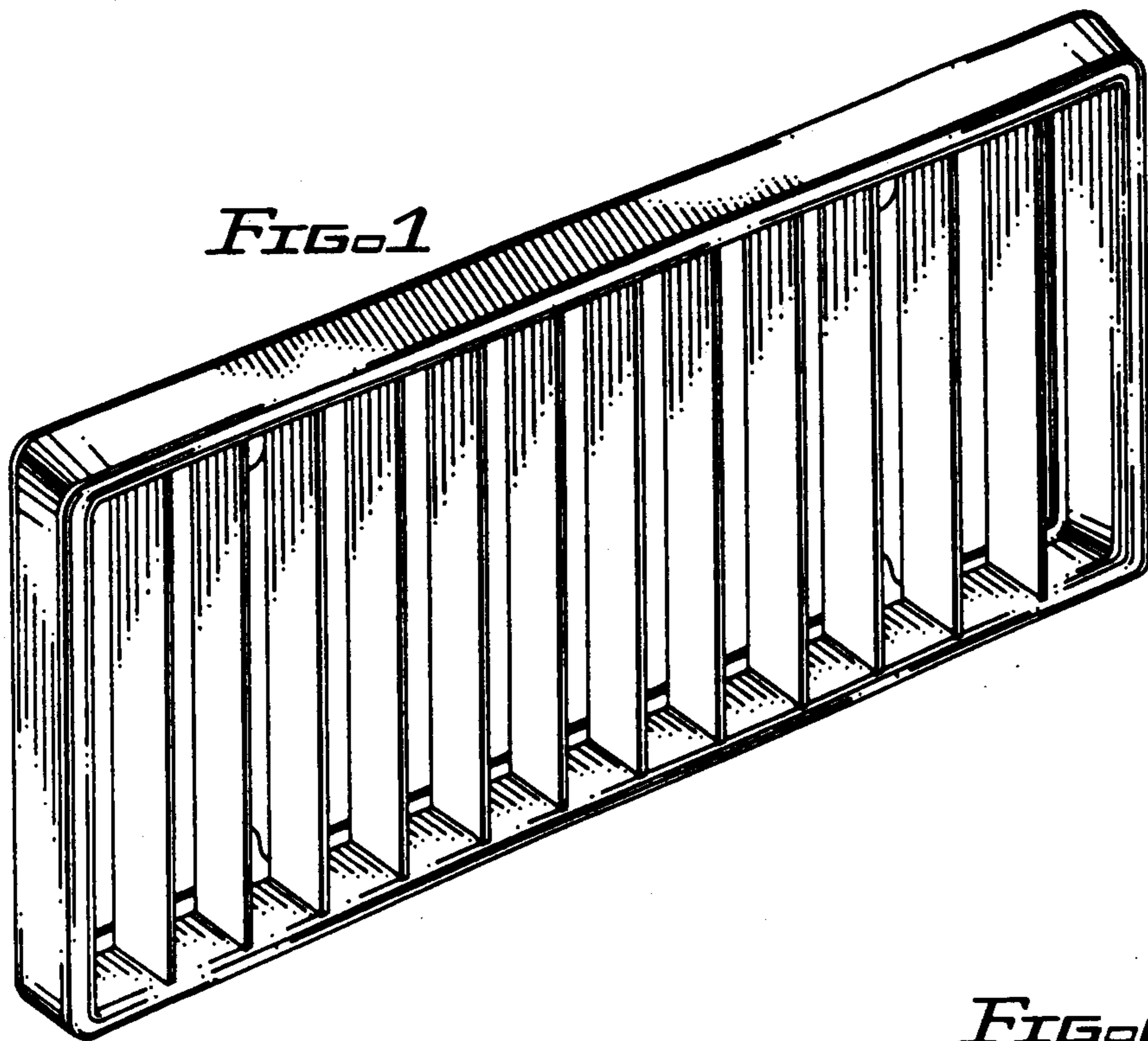


FIG 4

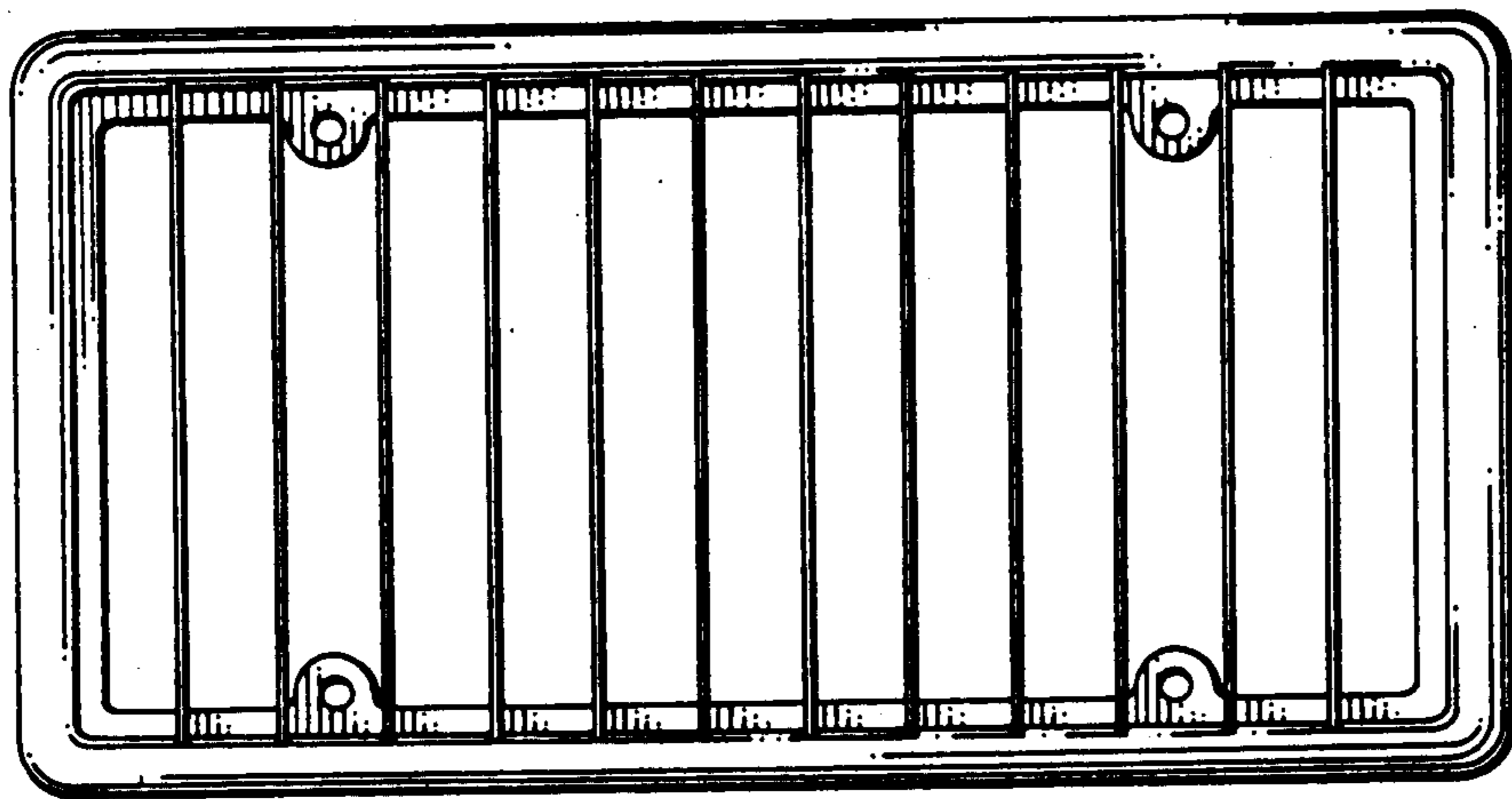


FIG 2

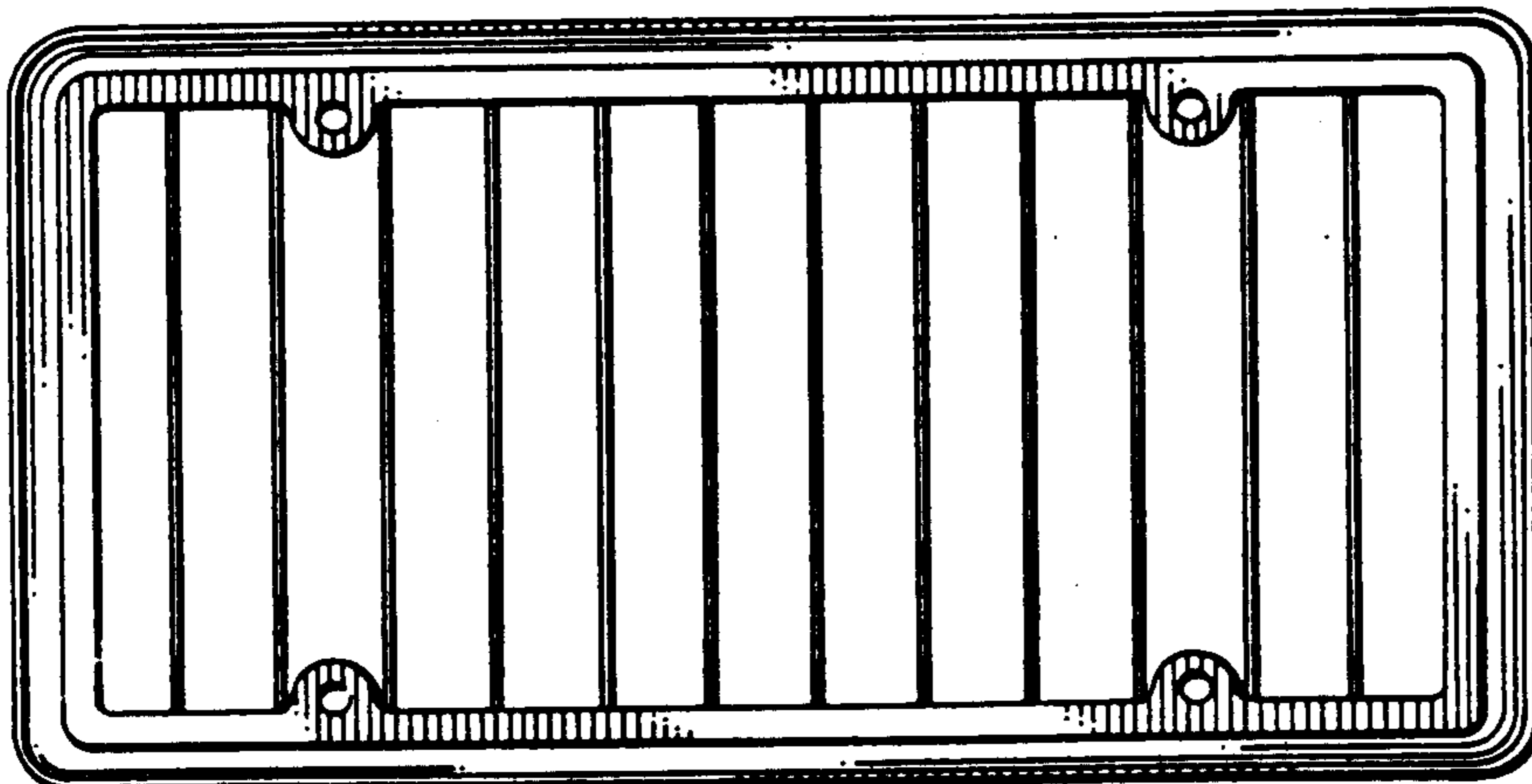


FIG 3



FIG 5