

[54] PENDANT OR THE LIKE

[76] Inventor: Wayne L. Harvey, 3775 Lomina, Long Beach, Calif. 90808

[\*\*] Term: 14 Years

[21] Appl. No.: 218,932

[22] Filed: Jul. 13, 1988

[52] U.S. Cl. .... D11/81; D11/72

[58] Field of Search ..... D11/72, 79-81, D11/99, 100, 112, 131, 134, 136-138, 158, 160, 162-163; D20/14, 24, 30; D21/160; 63/1.1, 2, 20, 23

[56] References Cited

U.S. PATENT DOCUMENTS

3,750 11/1869 Ney ..... D11/163

D. 125,829 3/1941 Rubin ..... D11/72  
D. 250,581 12/1978 Savage ..... D11/112

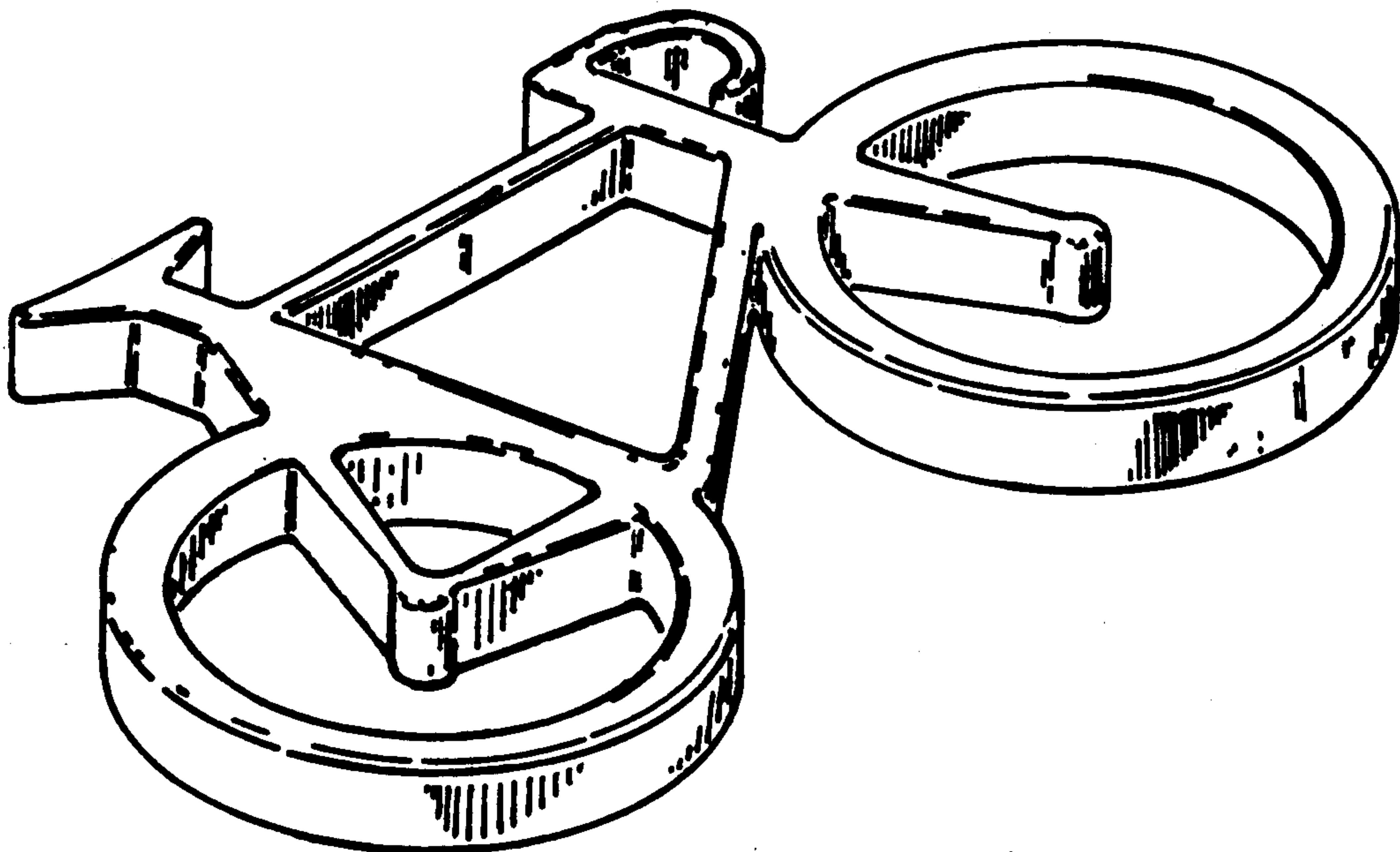
Primary Examiner—Louis S. Zarfes  
Assistant Examiner—R. T. Seifert

[57] CLAIM

The ornamental design for a pendant or the like, as shown and described.

DESCRIPTION

FIG. 1 is a perspective view of a pendant or the like showing my new design;  
FIG. 2 is a top plan view;  
FIG. 3 is a side elevational view;  
FIG. 4 is a perspective view shown in use.  
The broken line showing of a key ring in FIG. 4 is for illustrative purposes only and forms no part of the claimed design.



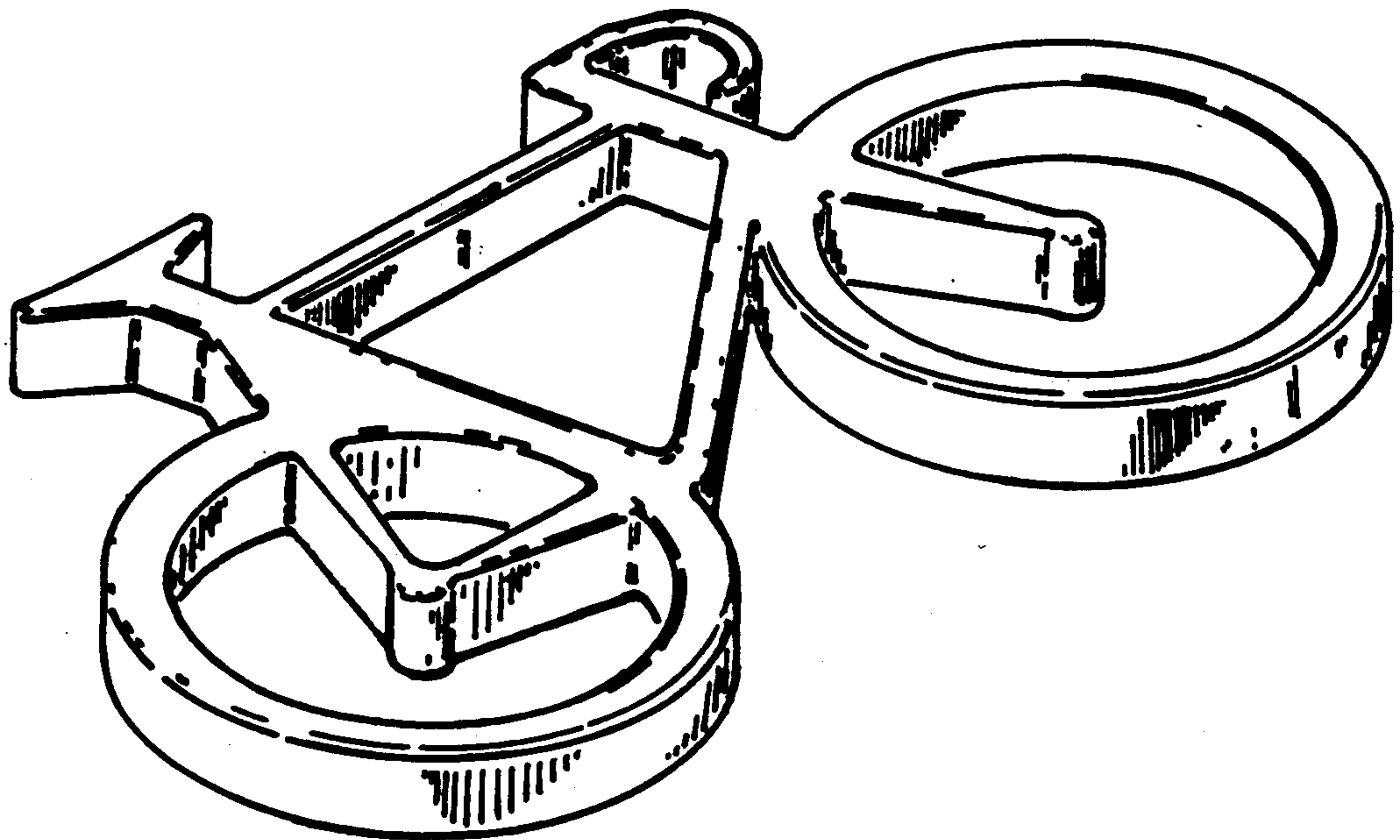


FIG. 1

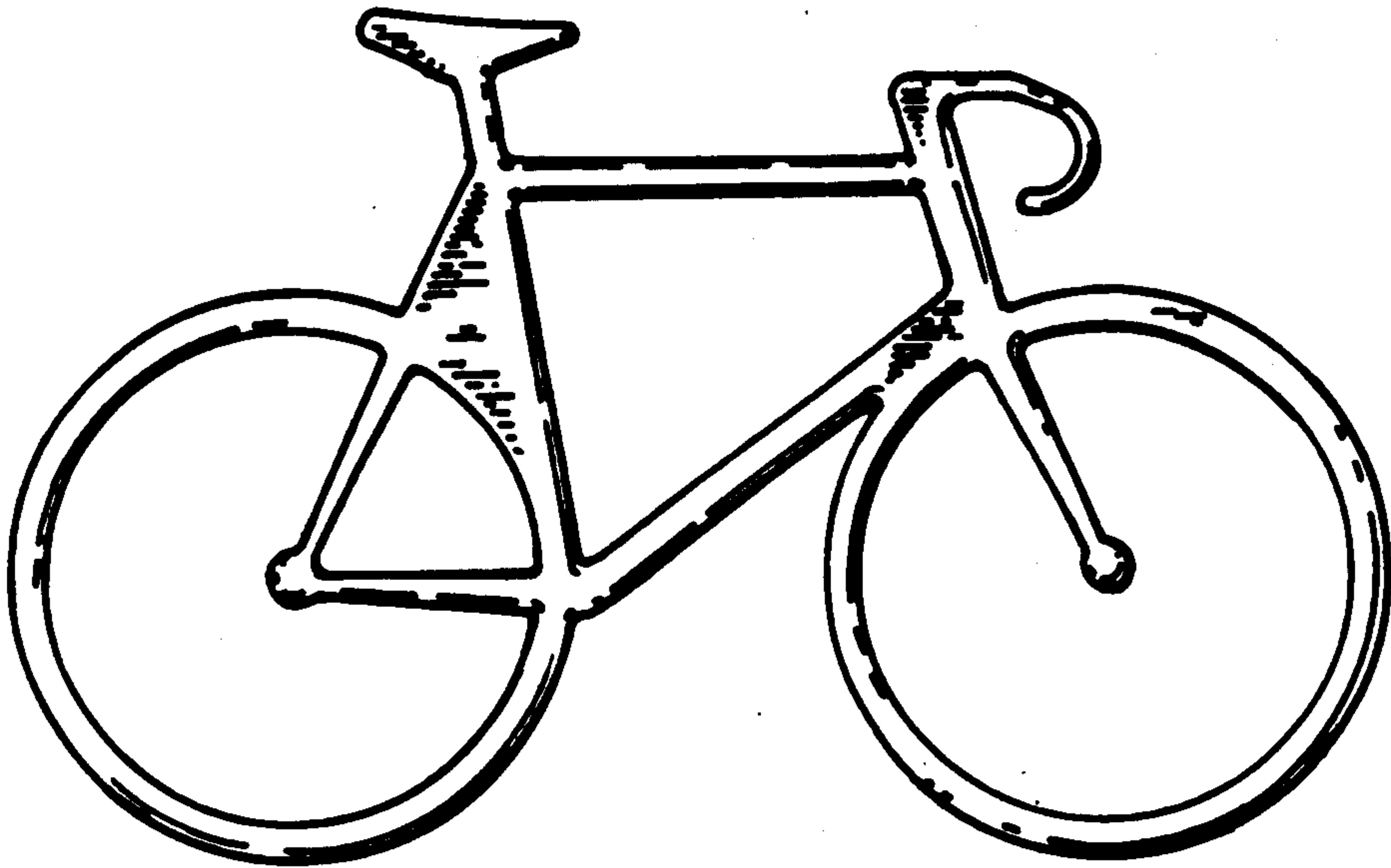


FIG. 2



FIG. 3

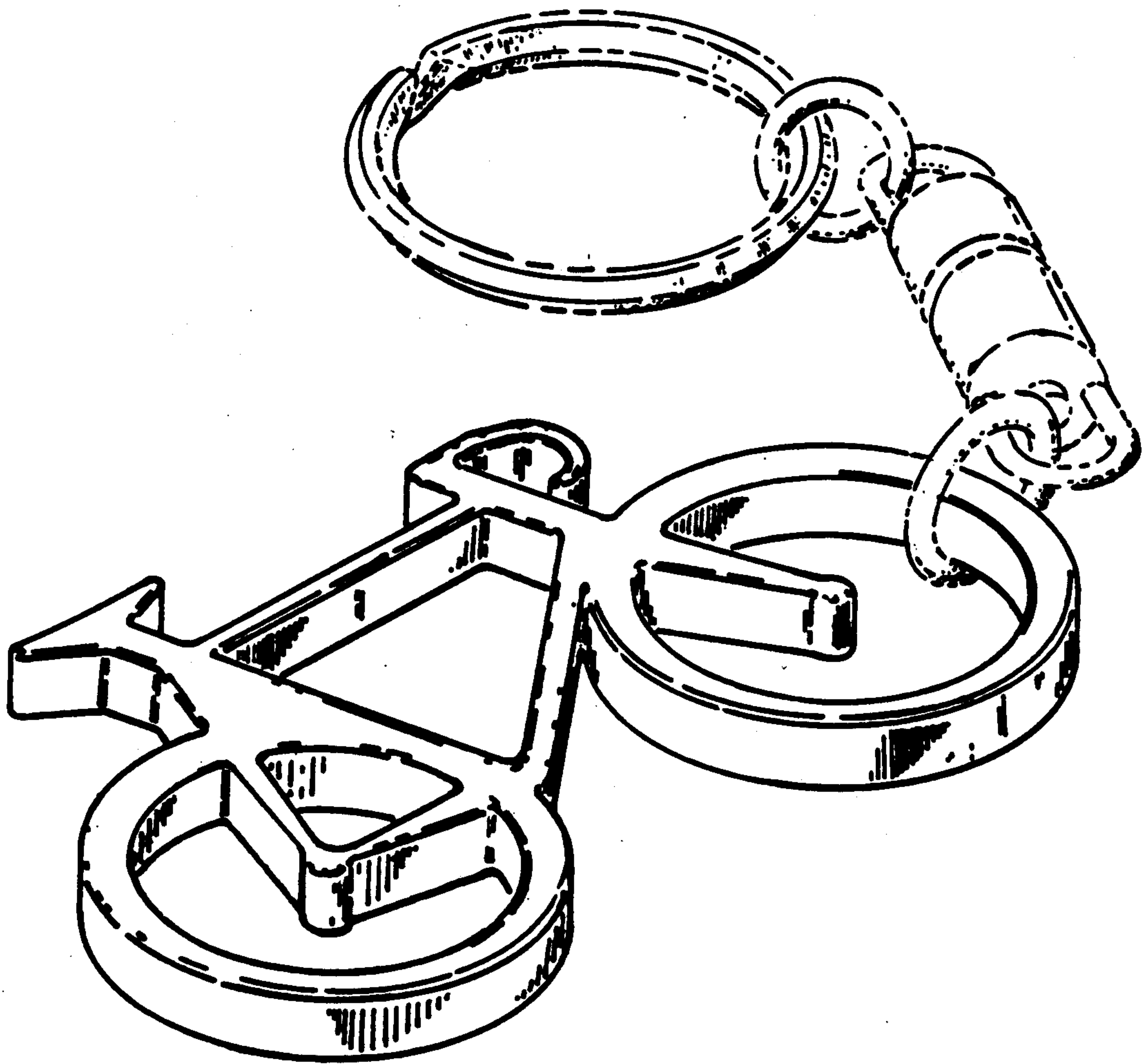


FIG. 4