

United States Patent [19]

Caruso et al.

[11] Patent Number: **Des. 318,811**

[45] Date of Patent: **** Aug. 6, 1991**

[54] **REFLECTANCE PHOTOMETER**

[75] Inventors: **James F. Caruso; Hari Matsuda**, both of Skokie, Ill.

[73] Assignee: **Miles, Inc., Elkhart, Ind.**

[**] Term: **14 Years**

[21] Appl. No.: **299,931**

[22] Filed: **Jan. 23, 1989**

[52] U.S. Cl. **D24/169; D10/81**

[58] Field of Search **D24/21, 17; D10/81, D10/46; 128/637; 356/319, 326, 418, 419, 213**

[56] **References Cited**

U.S. PATENT DOCUMENTS

D. 261,623 11/1981 Collister et al. **D24/21 X**
D. 282,644 2/1986 Collister **D10/46**

D. 283,107 3/1986 Collister **D24/17 X**
D. 292,277 10/1987 Collister et al. **D10/46**

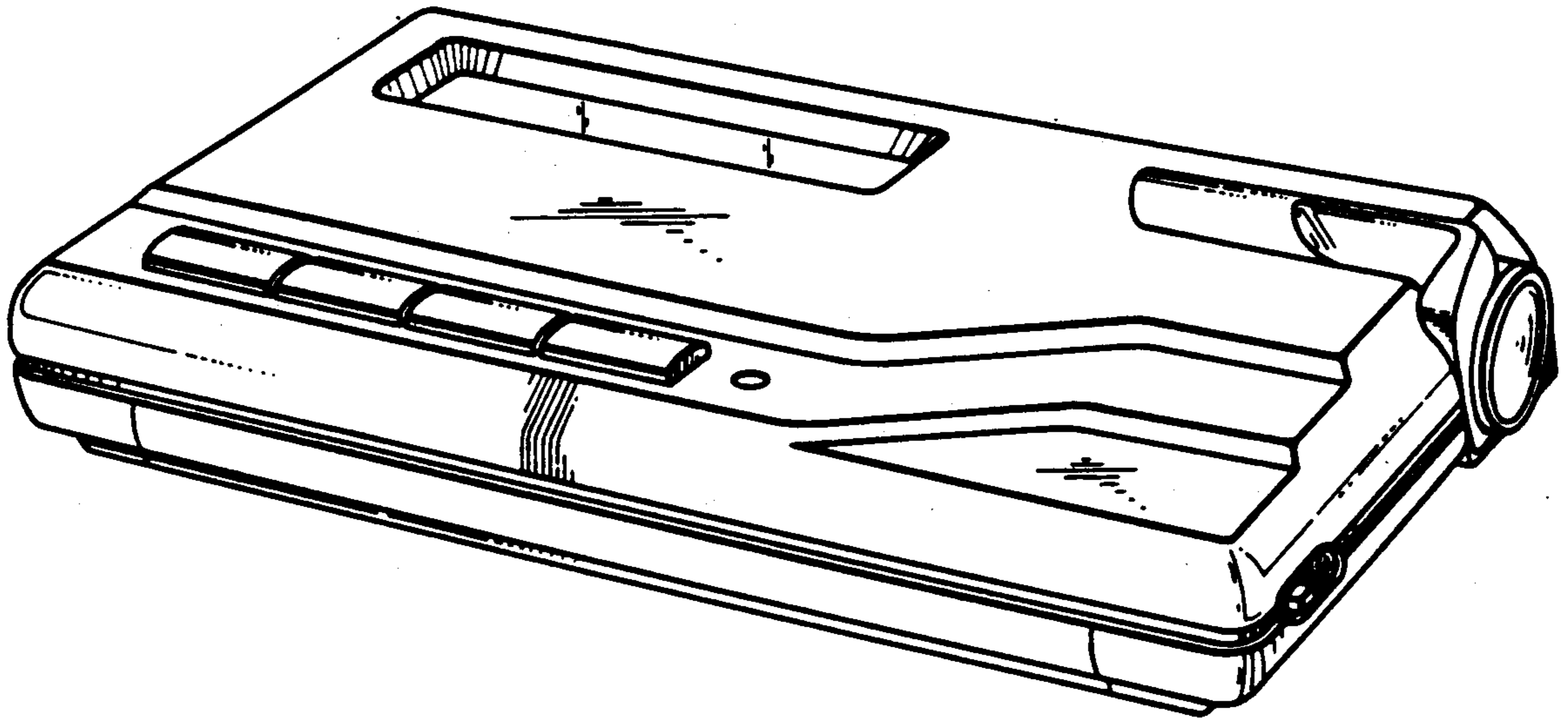
Primary Examiner—Stella Reid
Attorney, Agent, or Firm—Roger N. Coe

[57] **CLAIM**

The ornamental design for a reflectance photometer, as shown and described.

DESCRIPTION

FIG. 1 is a front perspective view of a reflectance photometer showing my new design; FIG. 2 is a top plan view thereof; FIG. 3 is a front elevational view thereof; FIG. 4 is a rear elevational view thereof; FIG. 5 is a bottom plan view thereof; FIG. 6 is a right side elevational view thereof; and FIG. 7 is a left side elevational view thereof.



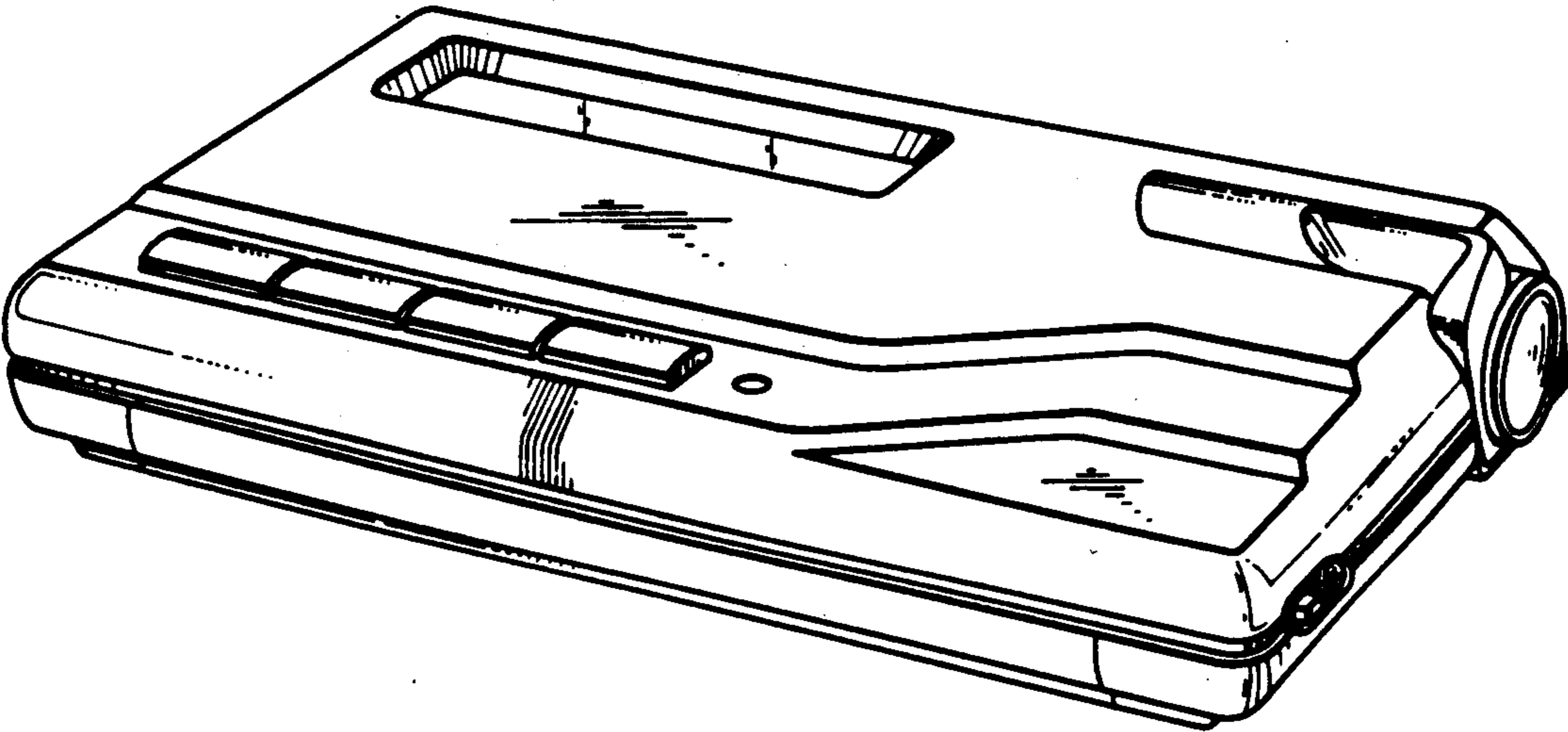


FIG. 1

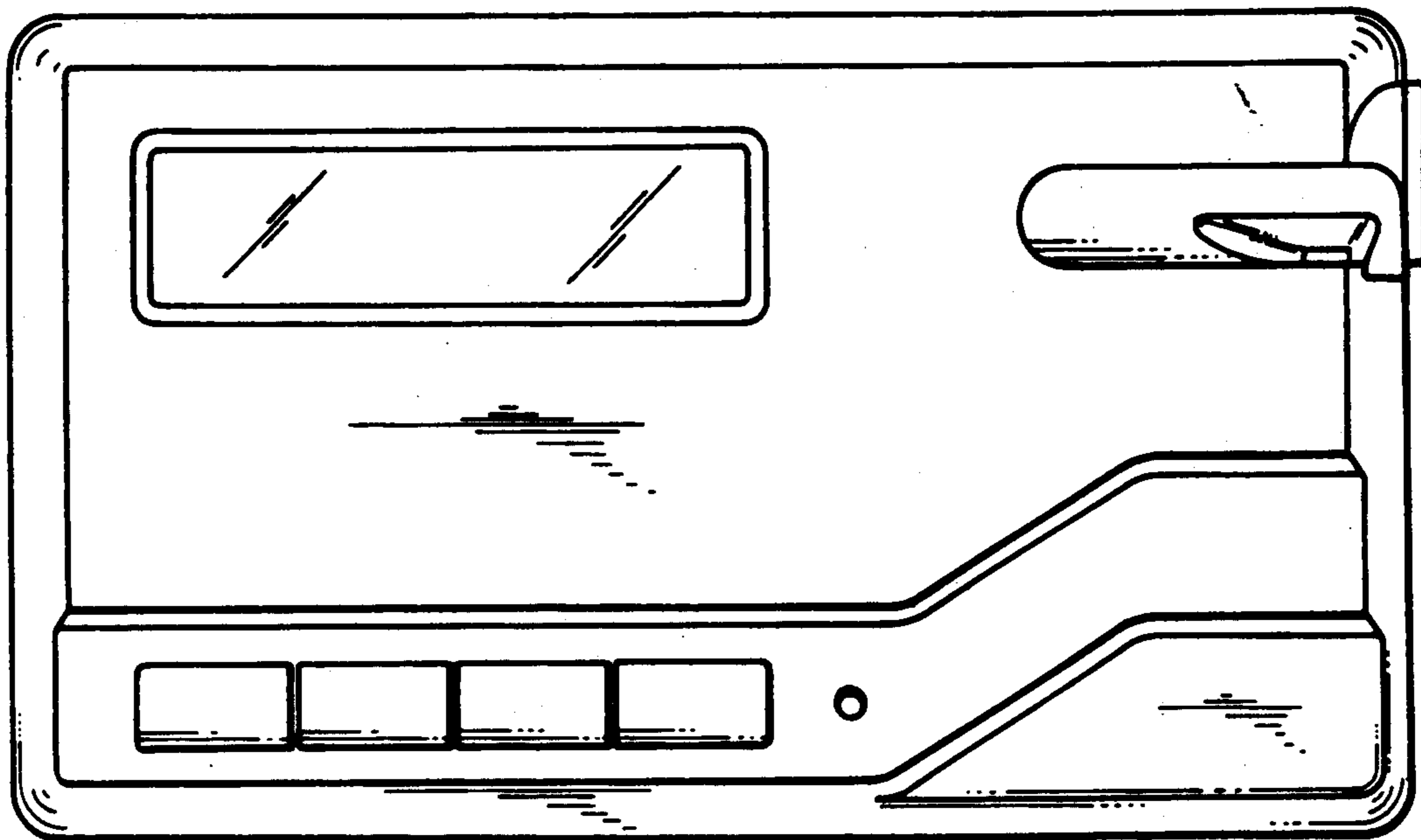


FIG. 2

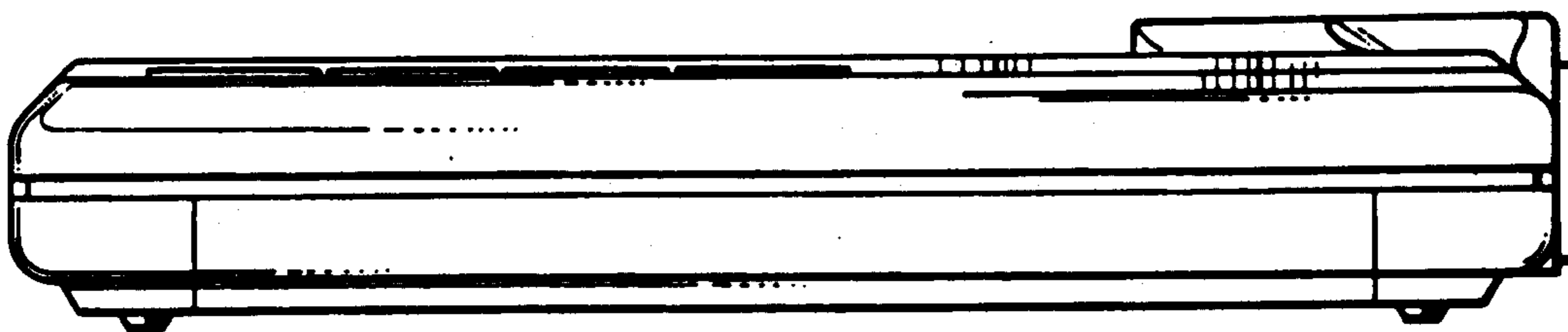


FIG. 3

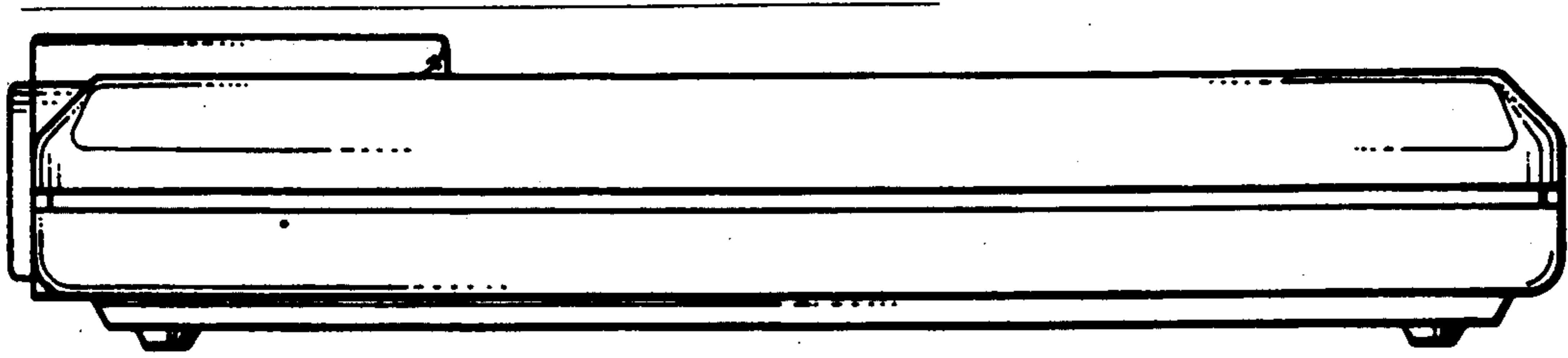


FIG. 4

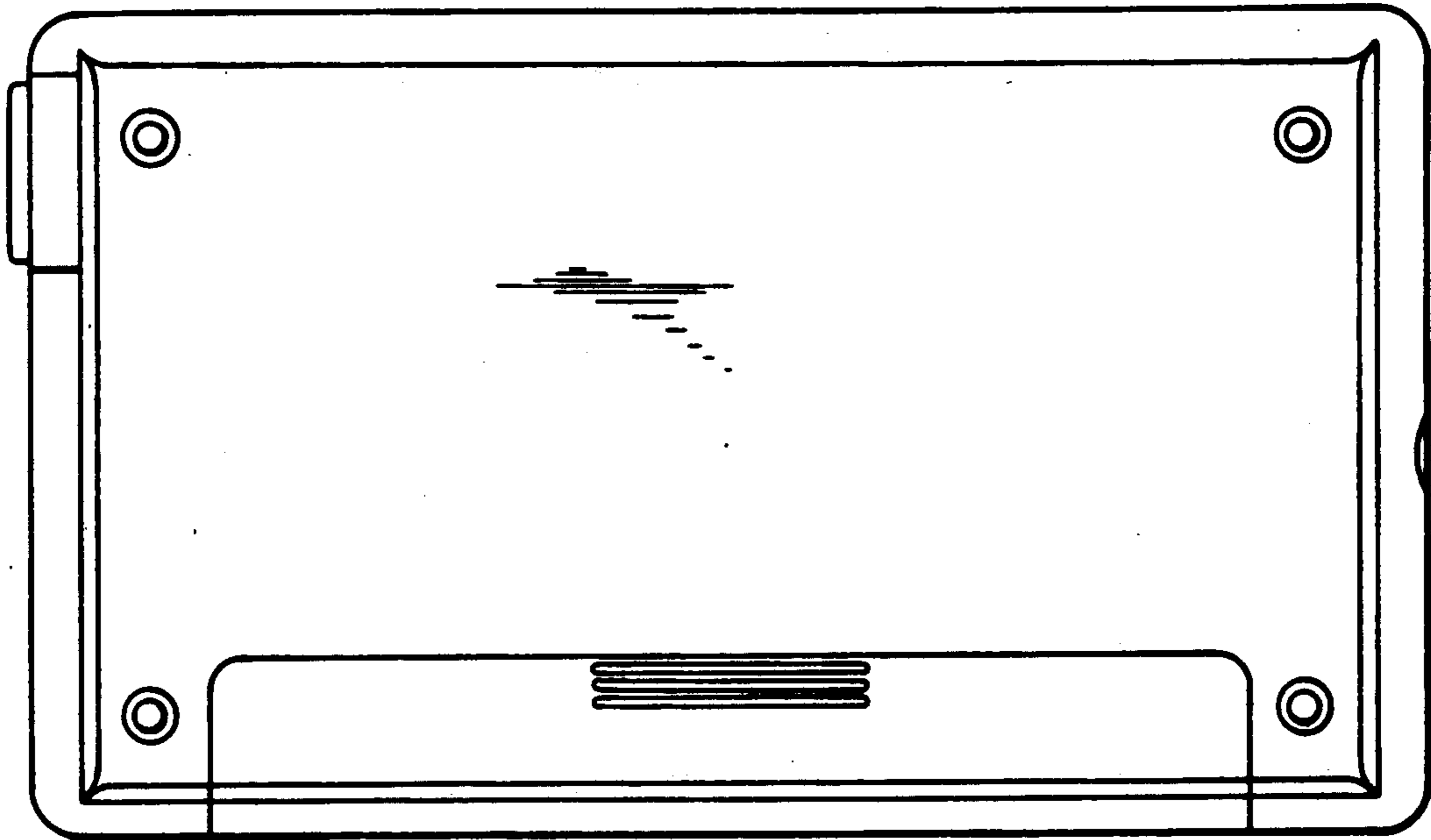


FIG. 5

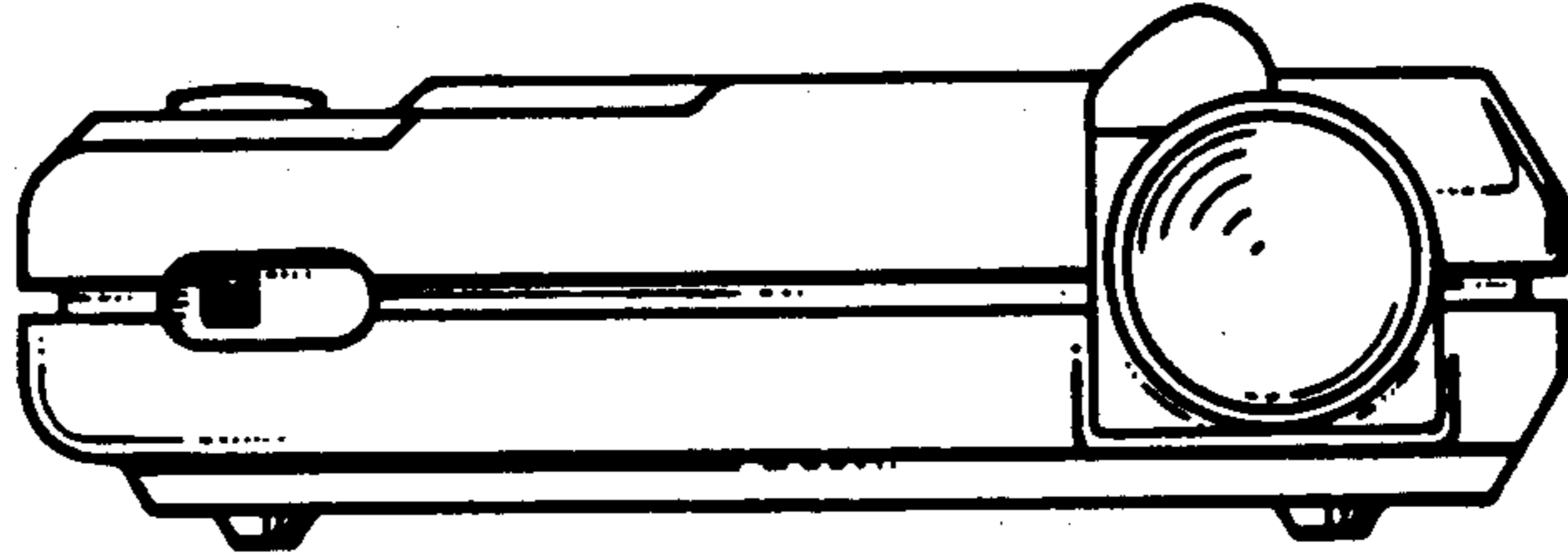


FIG. 6

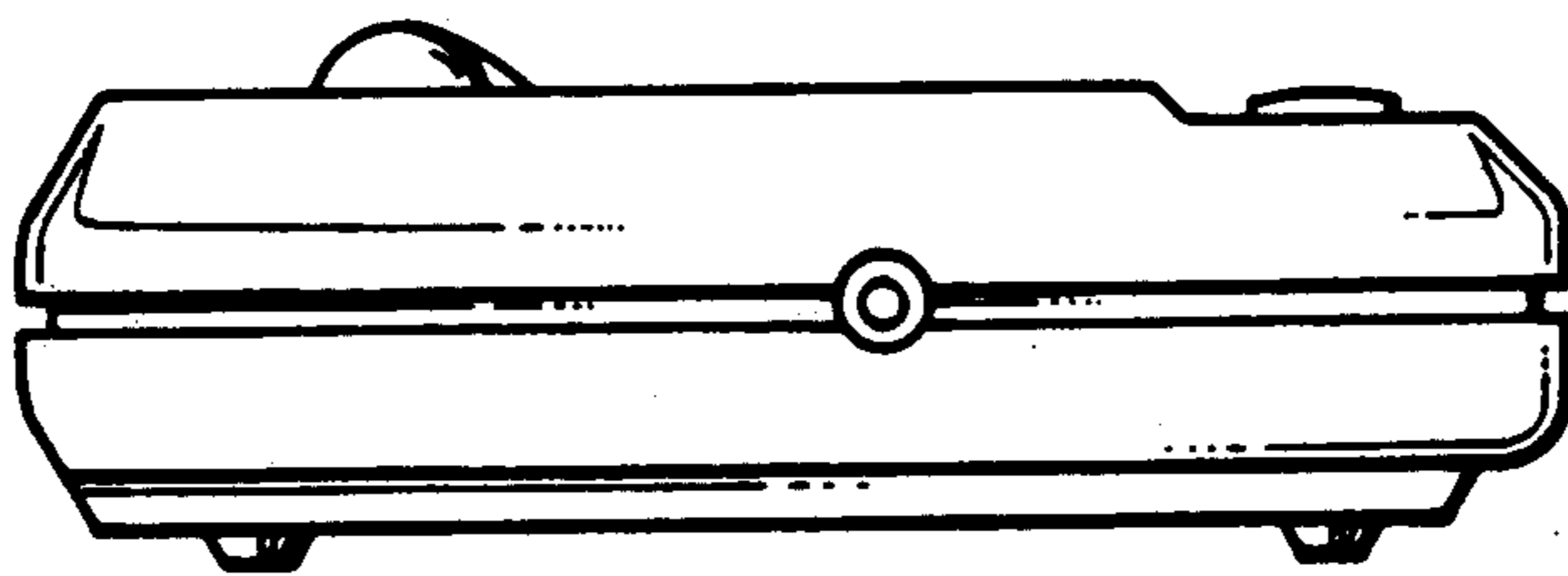


FIG. 7