

United States Patent [19]

Crowe

[11] Patent Number: **Des. 318,788**

[45] Date of Patent: **** Aug. 6, 1991**

[54] **COMBINED TWINE HOLDER AND TWINE THEREFOR**

[75] Inventor: **Byron A. Crowe, Thomaston, Me.**

[73] Assignee: **Crowe Rope Company, a division of Andrew Crow & Sons, Inc., Warren, Me.**

[**] Term: **14 Years**

[21] Appl. No.: **248,184**

[22] Filed: **Nov. 28, 1988**

[52] U.S. Cl. **D8/360.1**

[58] Field of Search **242/129, 134, 141, 146; D8/360.1; 24/115 R**

[56] **References Cited**

U.S. PATENT DOCUMENTS

D. 128,385 7/1941 Vernon D8/360.1

D. 189,423 12/1960 Cress D8/358
D. 296,415 6/1988 Ponce 242/141
2,472,300 6/1949 Kemplin D8/360.1

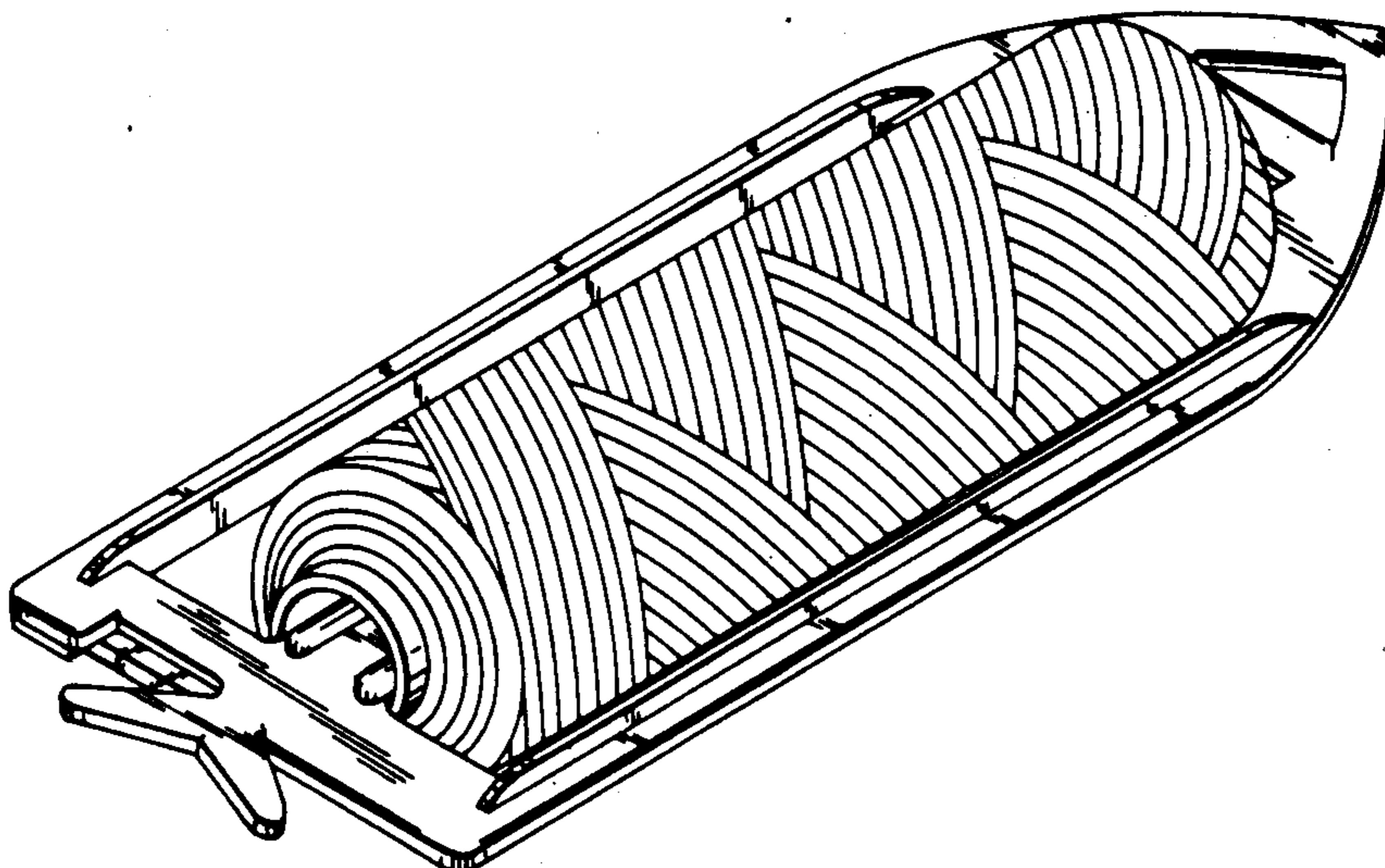
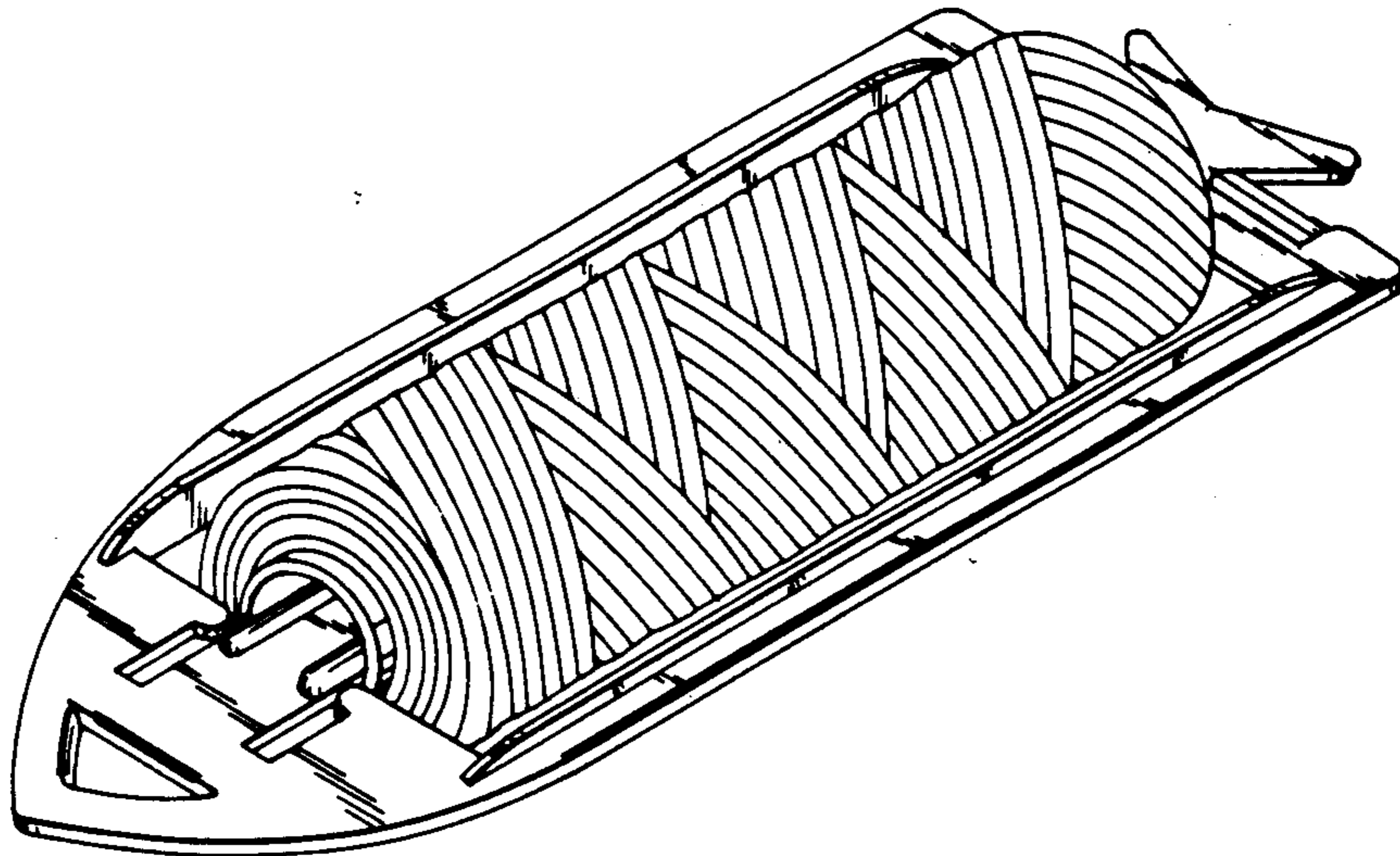
Primary Examiner—Wallace R. Burke
Assistant Examiner—Holly H. Baynham
Attorney, Agent, or Firm—Laforest S. Saulsbury

[57] CLAIM

The ornamental design for a combined twine holder and twine therefor, as shown and described.

DESCRIPTION

FIG. 1 is a rear elevational view of a combined twine holder and twine therefor showing my new design; FIG. 2 is a front elevational view thereof; FIG. 3 is a front elevational view thereof with the twine removed; FIG. 4 is a right side elevational view thereof; FIG. 5 is a front perspective view thereof; FIG. 6 is a rear perspective view thereof.



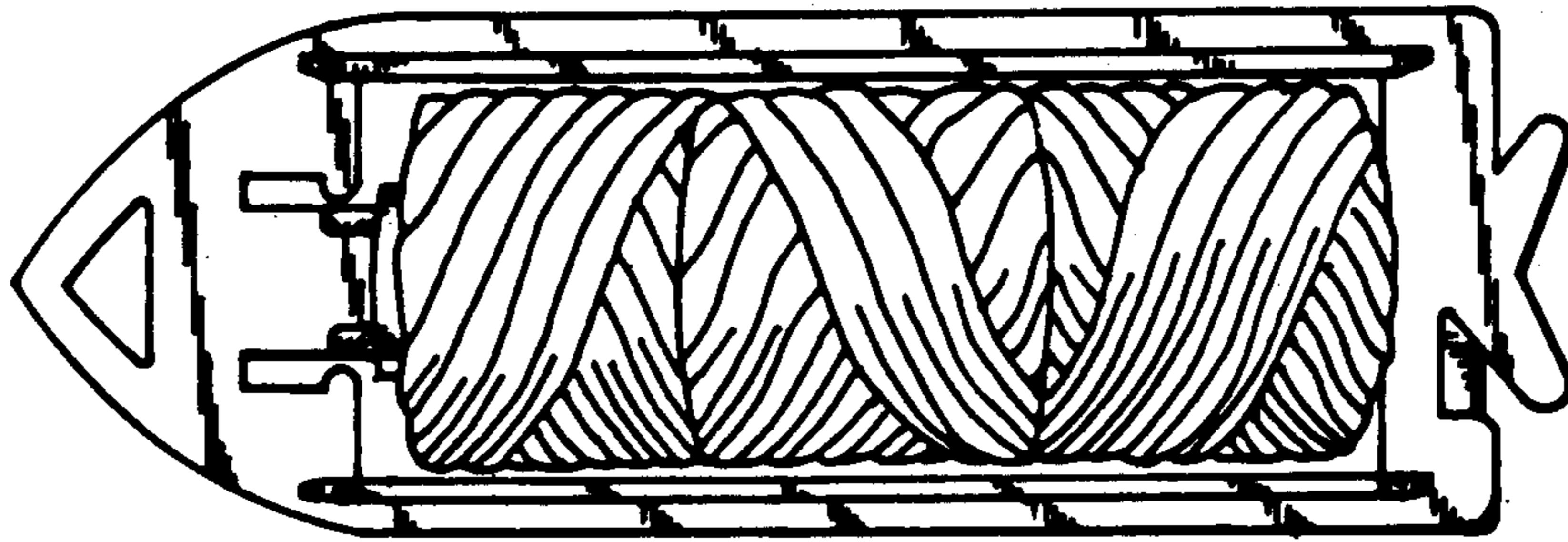


FIG. 1

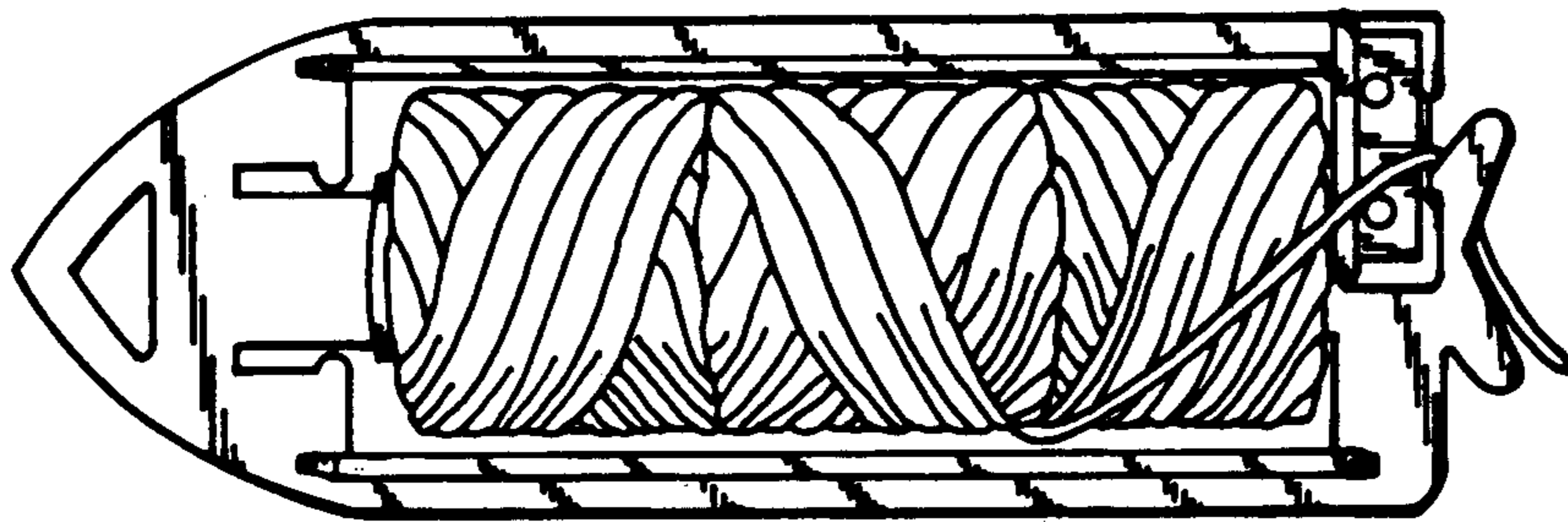


FIG. 2

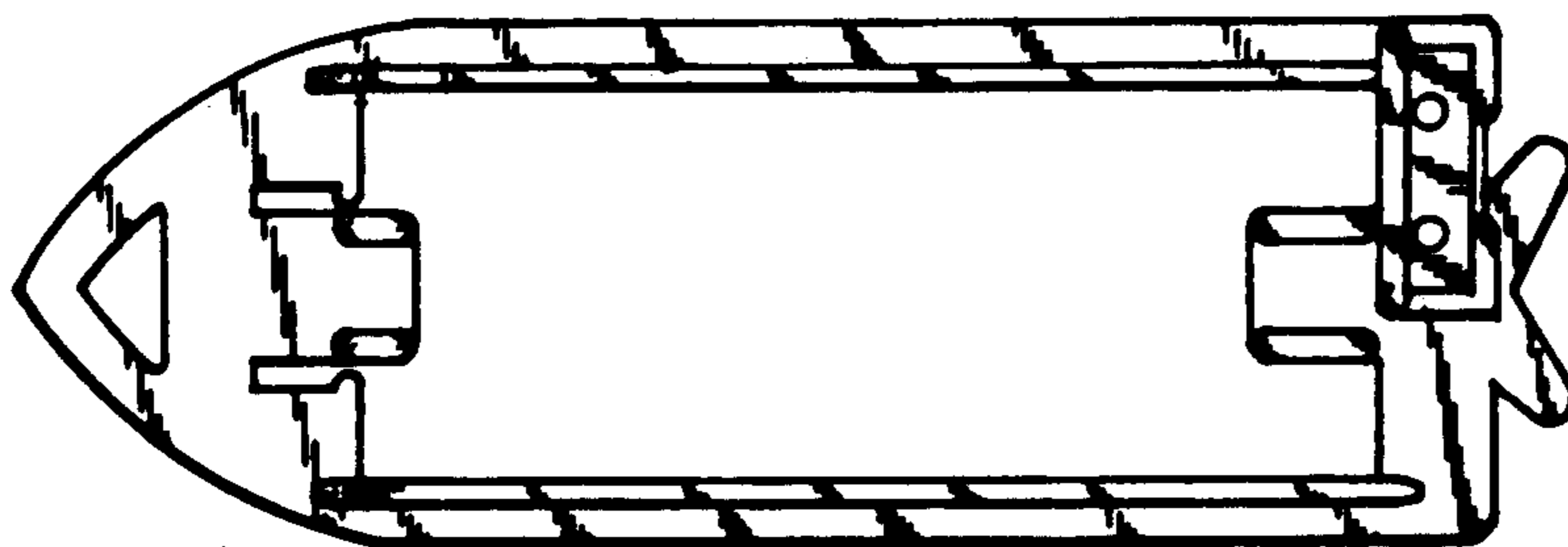


FIG. 3



FIG. 4

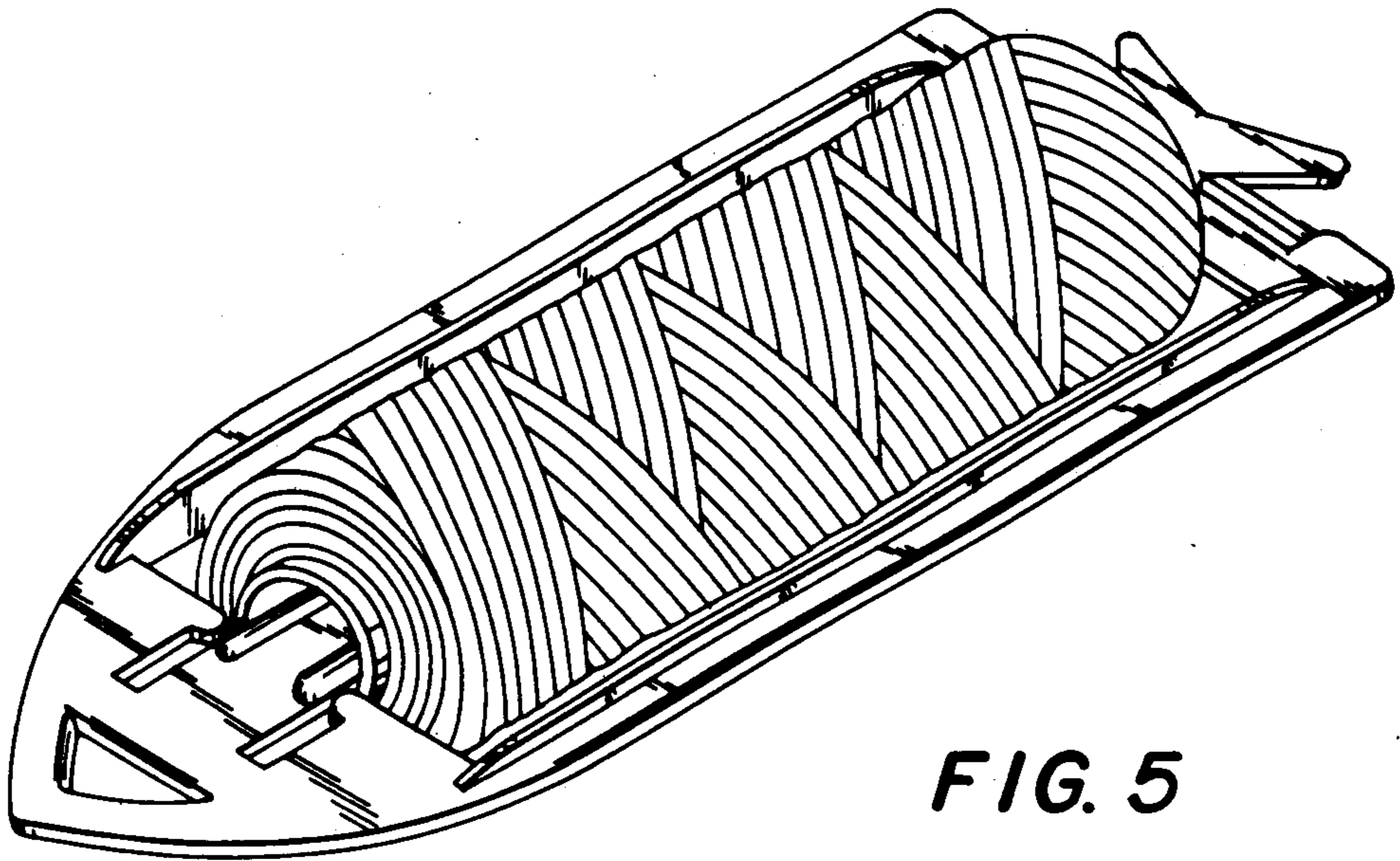


FIG. 5

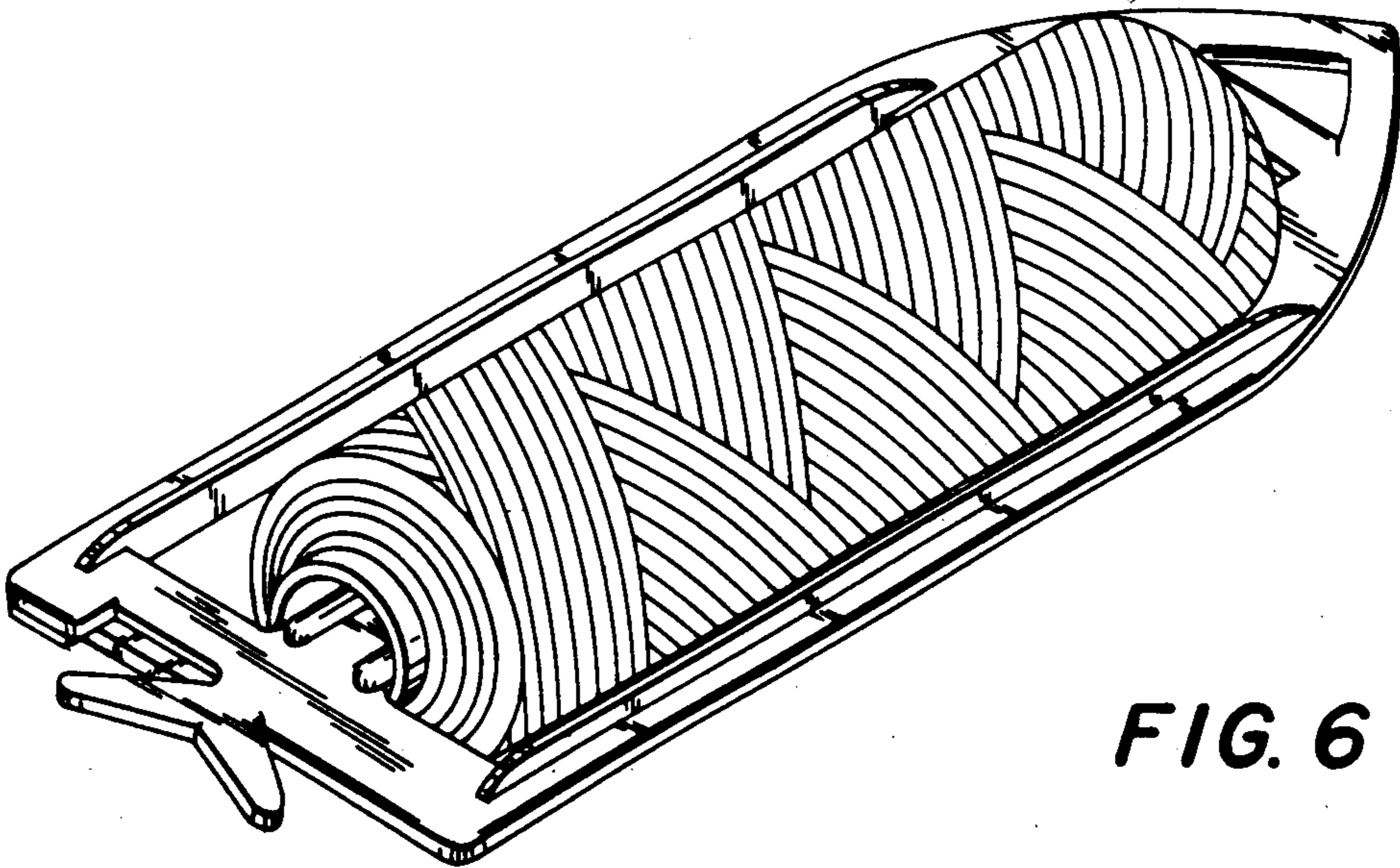


FIG. 6