

[54] HAND HELD REEL FOR A SWIMMING POOL HOSE

[76] Inventor: Edwin H. Mitchell, 301 S. 8th, Kingfisher, Okla. 73750

[**] Term: 14 Years

[21] Appl. No.: 175,121

[22] Filed: Mar. 29, 1988

[52] U.S. Cl. D8/359

[58] Field of Search D8/358, 359, 356; 242/85.1, 104, 77, 54 R, 55.18, 55.21, 107.13, 106, 107, 137, 84.8, 85, 96, 115, 116; 191/12.2 R, 12.4; 137/355.19, 355.26

[56] **References Cited**

U.S. PATENT DOCUMENTS

D. 259,465	6/1981	Weil	D8/359
D. 260,479	9/1981	Carey	D8/359
1,559,449	10/1925	Mordt	242/96
1,718,777	6/1929	Choinski	242/96
4,484,718	11/1984	Jones-Fenleigh	242/86 X

Primary Examiner—Wallace R. Burke
Assistant Examiner—Freda S. Nunn
Attorney, Agent, or Firm—Glen M. Burdick; Bill D. McCarthy

[57] **CLAIM**

The ornamental design for a hand held reel for a swimming pool hose, as shown and described.

DESCRIPTION

FIG. 1 is a perspective view of a hand held reel for a swimming pool hose showing my new design, the hose being shown in broken lines for illustrative purposes only and forming no part of the claimed design;

FIG. 2 is a side elevational view thereof;

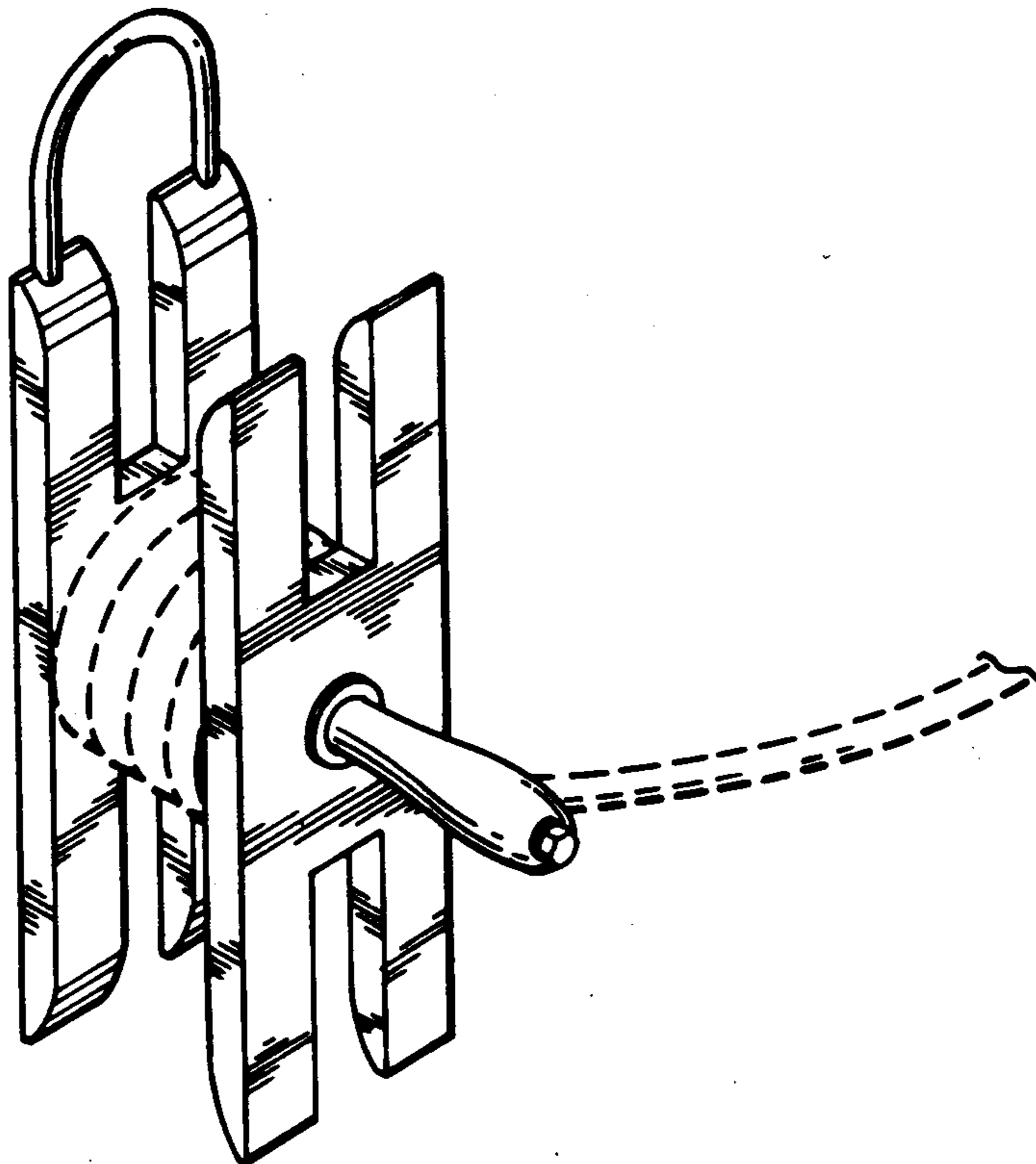
FIG. 3 is a side elevational view opposite that shown in FIG. 2;

FIG. 4 is a top plan view thereof;

FIG. 5 is a bottom plan view thereof;

FIG. 6 is an end elevational view thereof; and

FIG. 7 is an end elevational view opposite that shown in FIG. 6.



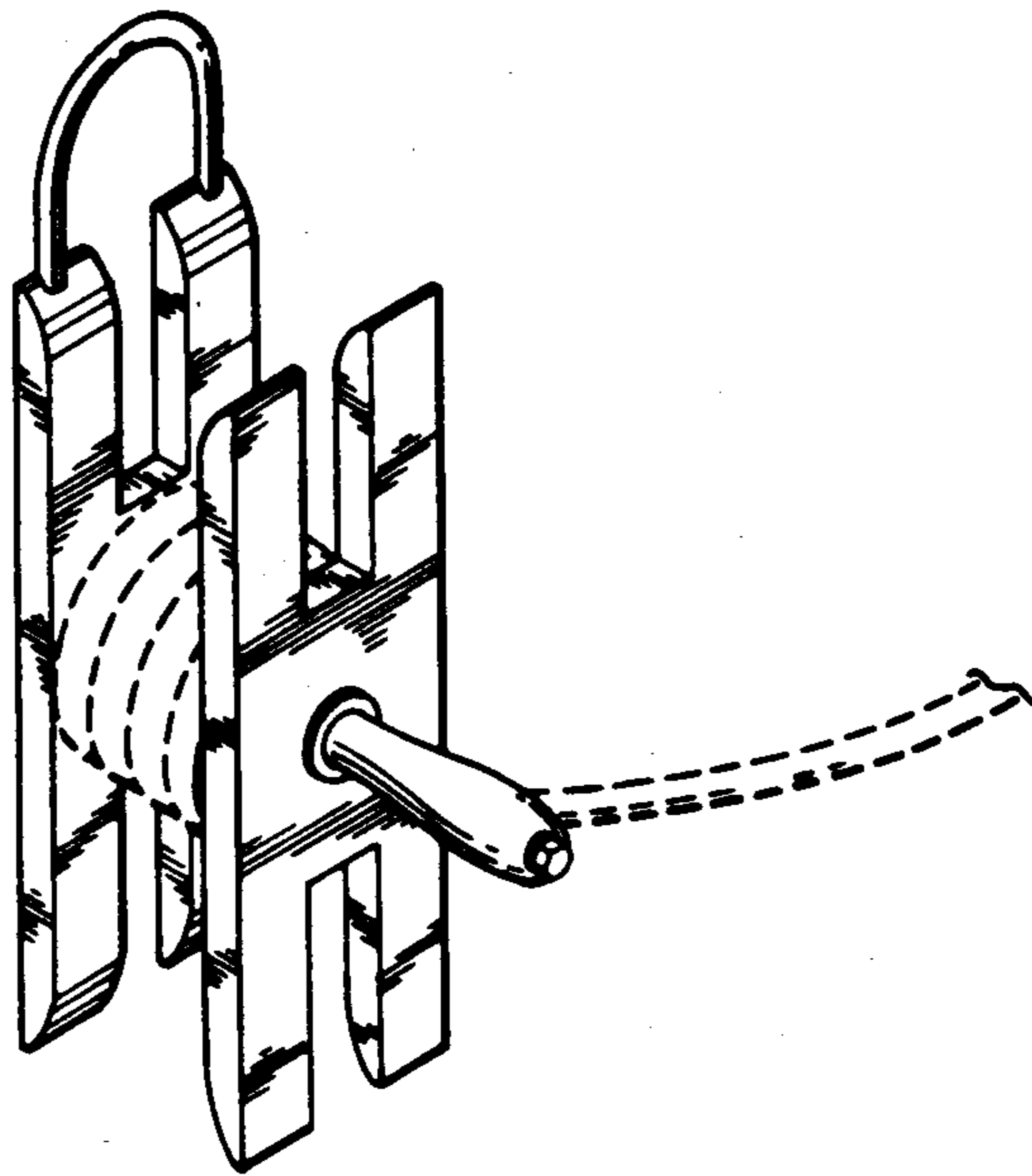


Fig. 1

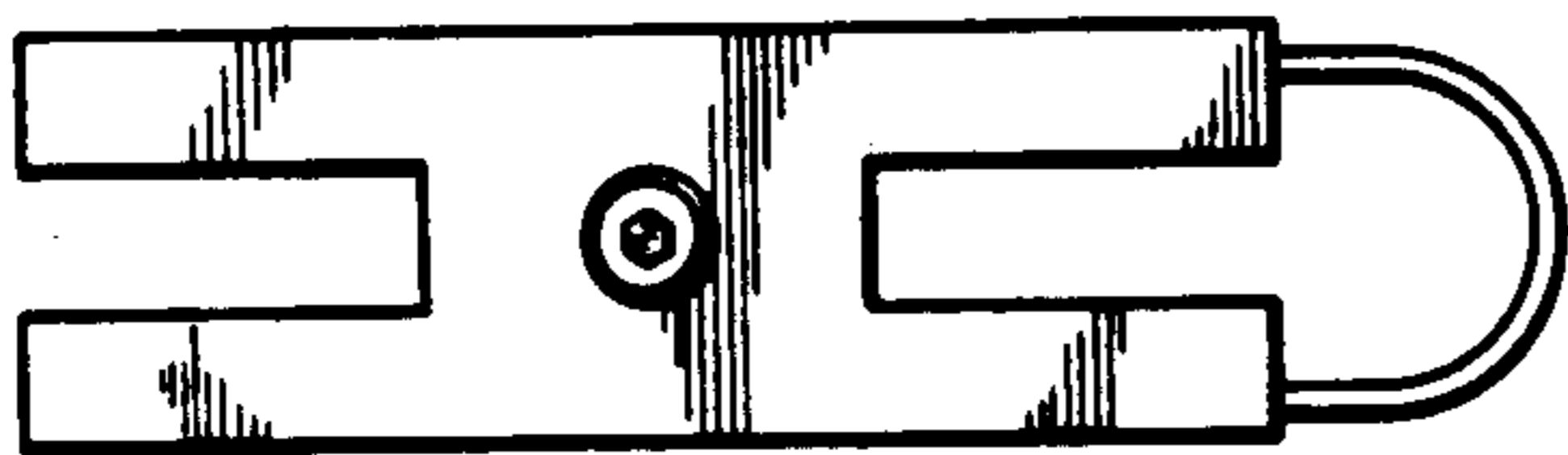


Fig. 2

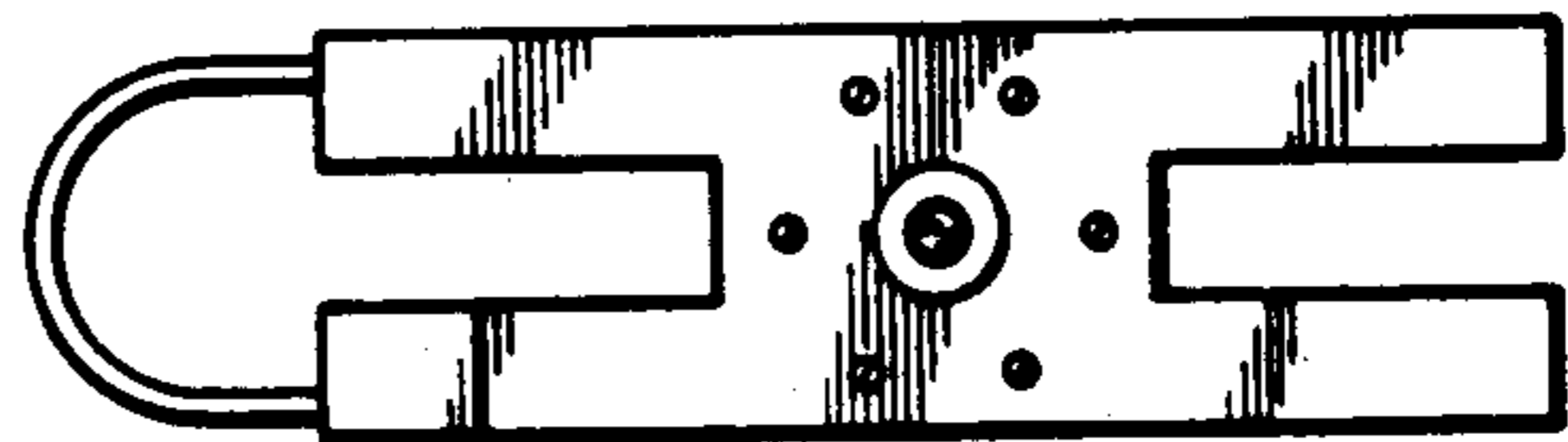


Fig. 3

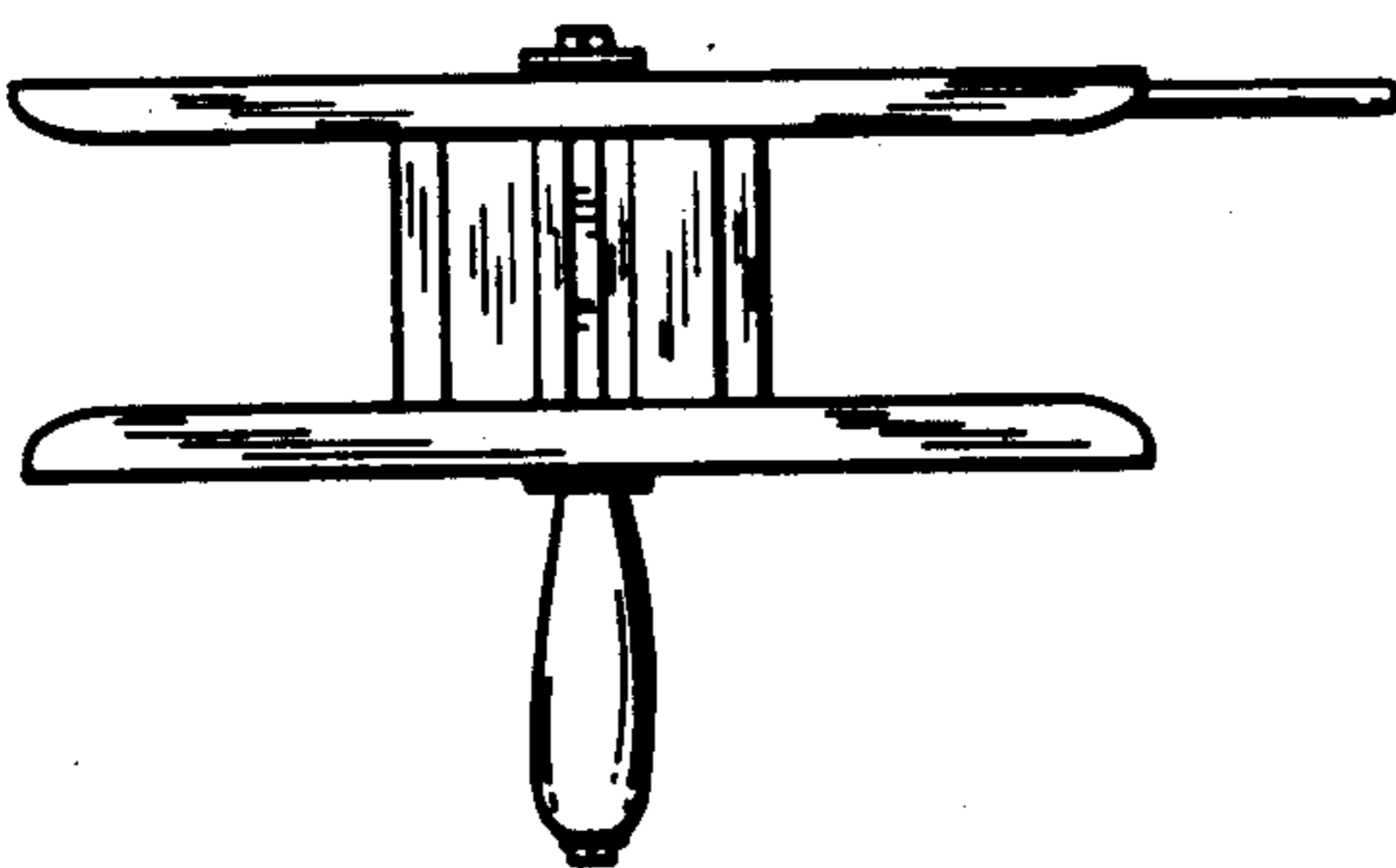


Fig. 4

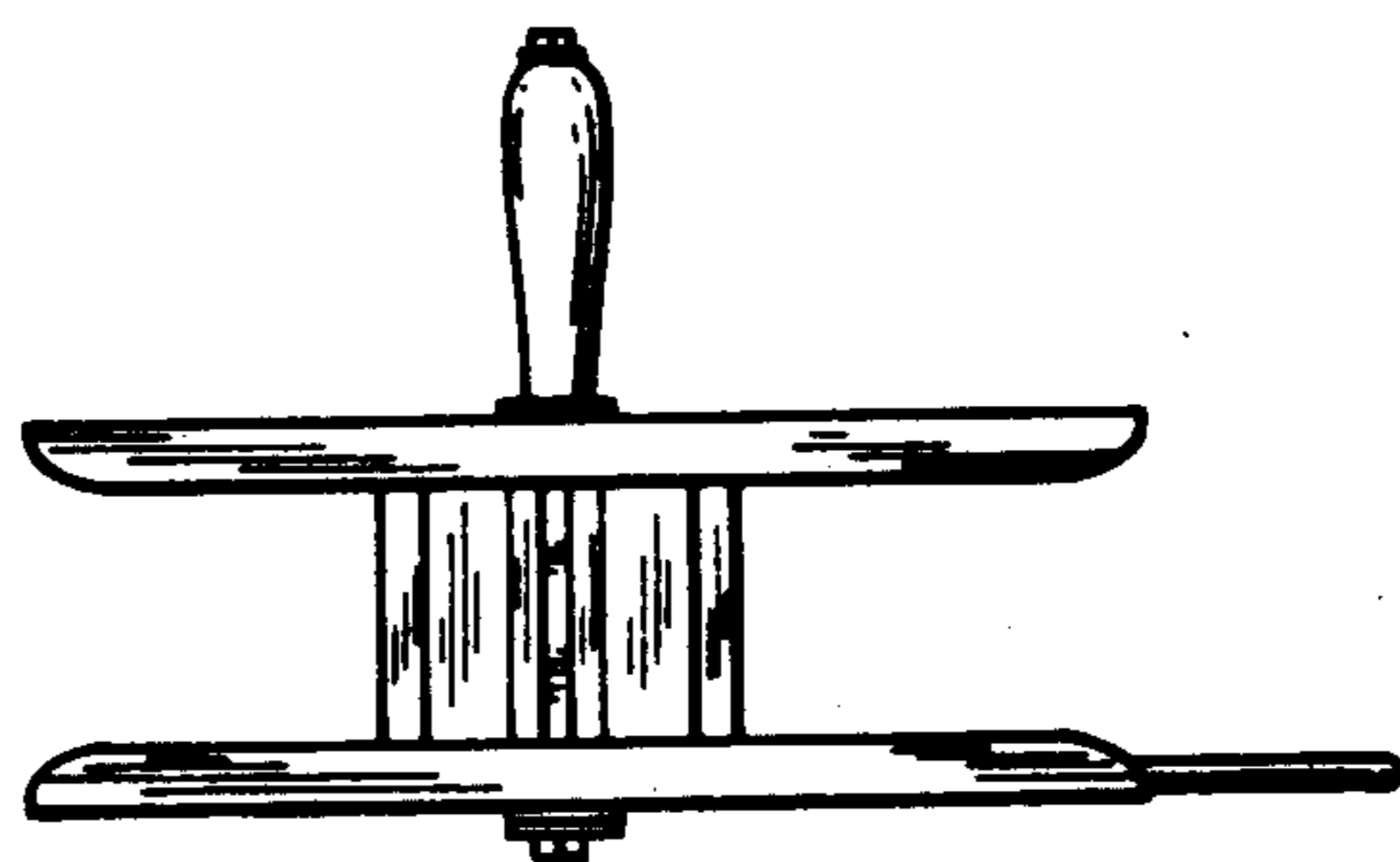


Fig. 5

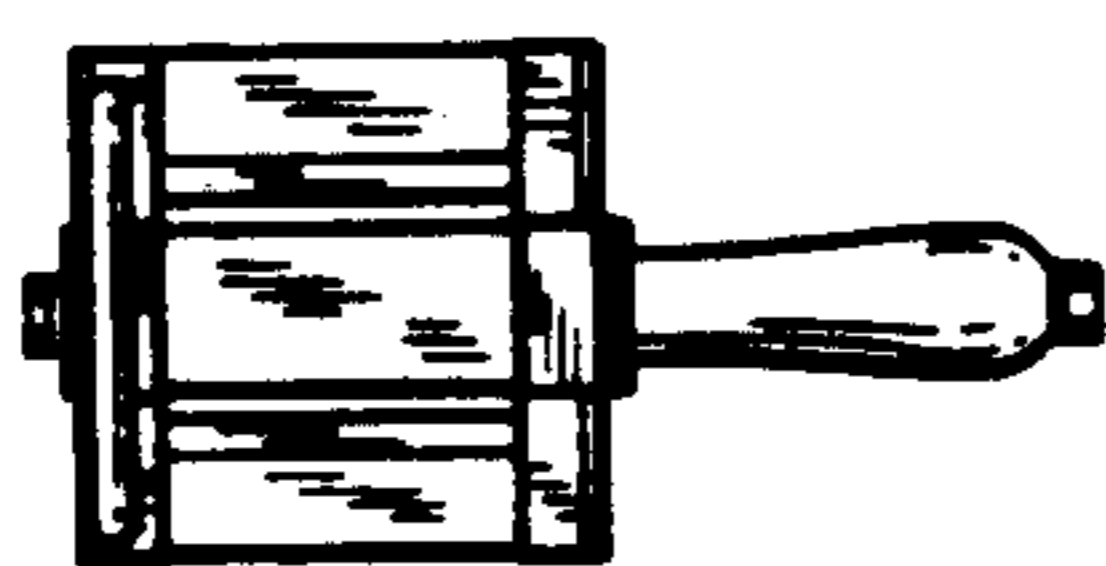


Fig. 6

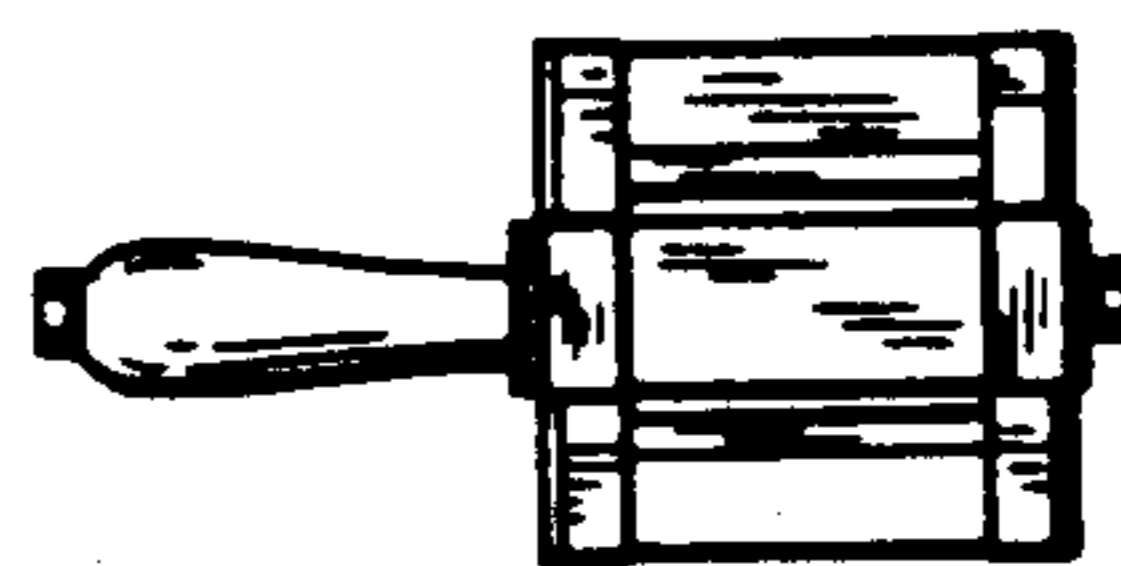


Fig. 7