

[54] **CONDIMENT SHAKER**

[75] Inventors: **Joseph F. Fiore; John C. Weyer, Sr.,**  
both of Wooster, Ohio

[73] Assignee: **Rubbermaid Incorporated, Wooster,**  
Ohio

[\*\*] Term: **14 Years**

[21] Appl. No.: **296,037**

[22] Filed: **Jan. 12, 1989**

[52] U.S. Cl. .... **D7/591; D9/366**

[58] Field of Search ..... **D7/591-597;**  
**D9/349, 352, 359, 355, 365, 366, 390, 399;**  
**222/142.1-142.9; 241/168**

[56] **References Cited**

**U.S. PATENT DOCUMENTS**

D. 248,204	6/1978	Daenen .....	D7/591
D. 269,316	6/1983	Conti .....	D7/591
3,851,812	12/1974	Bittel .	
3,874,580	4/1975	Weatherhead, III .	
3,881,639	5/1975	Herip .	
3,912,128	10/1975	Ziemann et al. .	
3,966,080	6/1976	Bittel .	

4,000,839	1/1977	Tecco et al. .
4,253,587	3/1981	Otterson .
4,274,563	6/1981	Otterson .
4,489,864	12/1984	Davis .
4,541,541	9/1985	Hickman et al. .

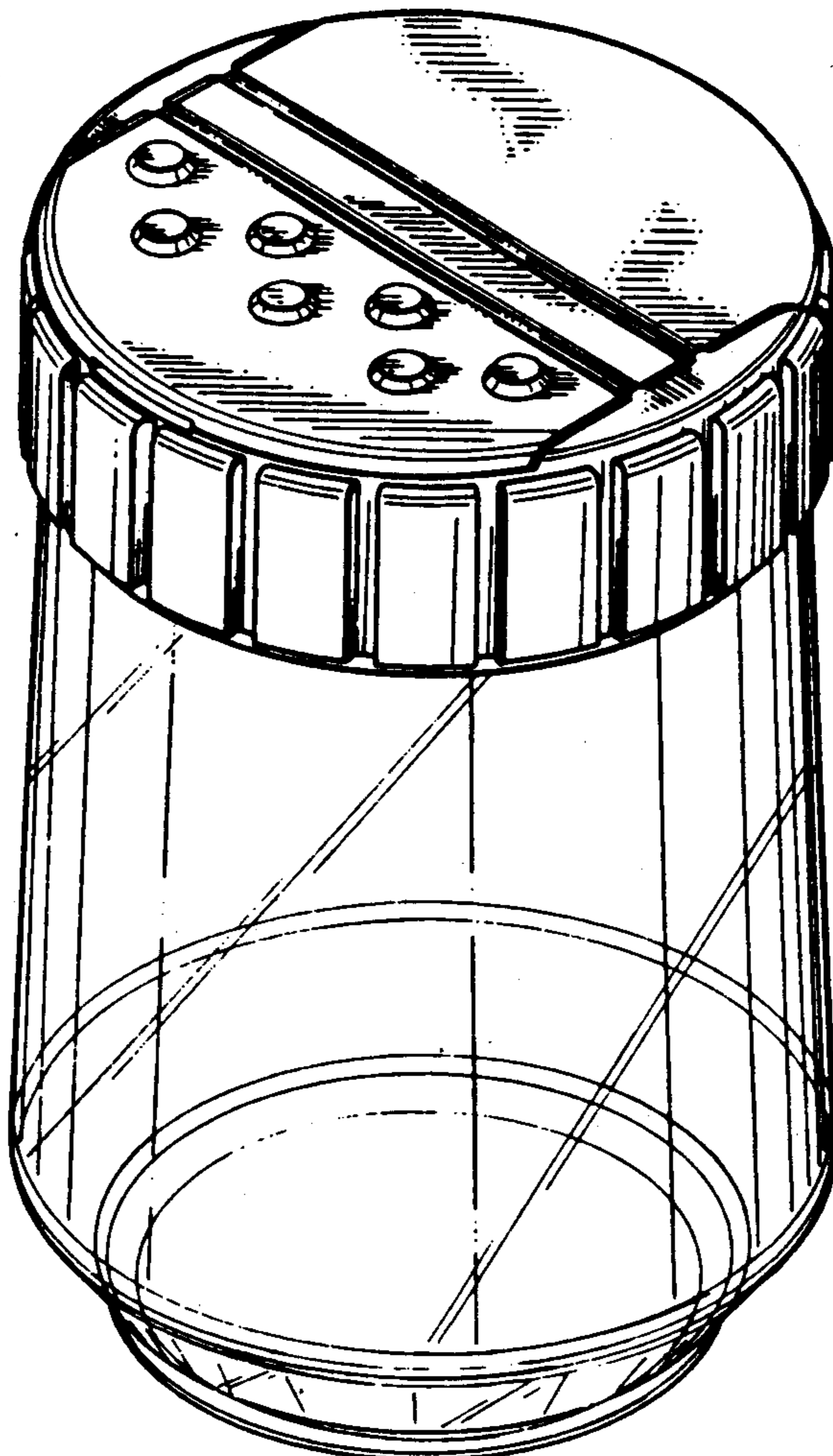
*Primary Examiner—Terry A. Pfeffer*  
*Attorney, Agent, or Firm—Richard B. O’Planick*

[57] **CLAIM**

The ornamental design for a condiment shaker, as shown and described.

**DESCRIPTION**

FIG. 1 is a front perspective view of a condiment shaker showing our new design;  
 FIG. 2 is a front perspective view thereof with the lid in an open position;  
 FIG. 3 is a front elevational view thereof; the rear elevational view being a mirror image.  
 FIG. 4 is a side elevational view thereof; the opposite side being a mirror image.  
 FIG. 5 is a top plan view thereof.  
 FIG. 6 is a bottom plan view thereof.  
 FIG. 7 is a transverse sectional view taken through line 7-7 of FIG. 5.



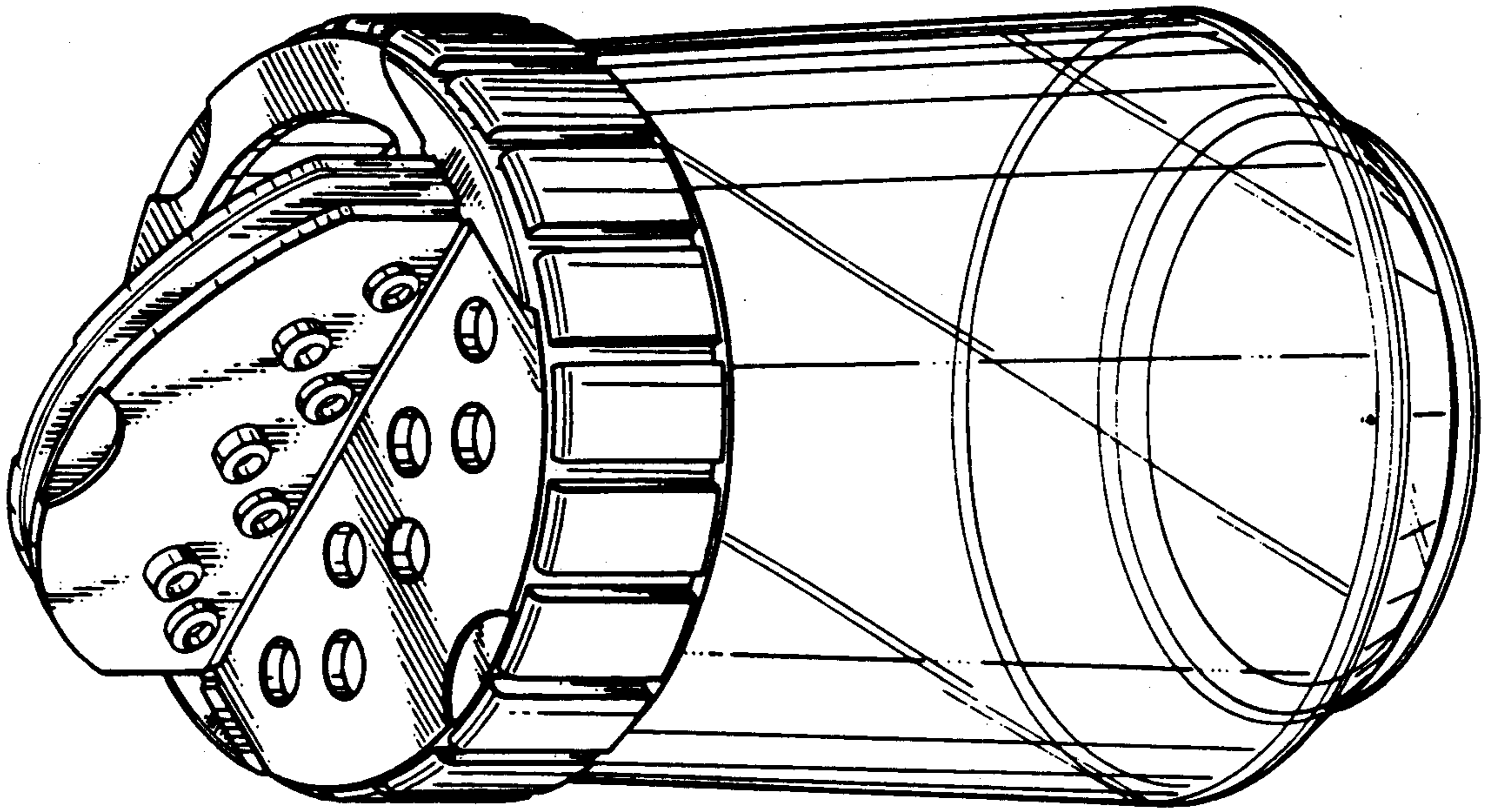


FIG. 1

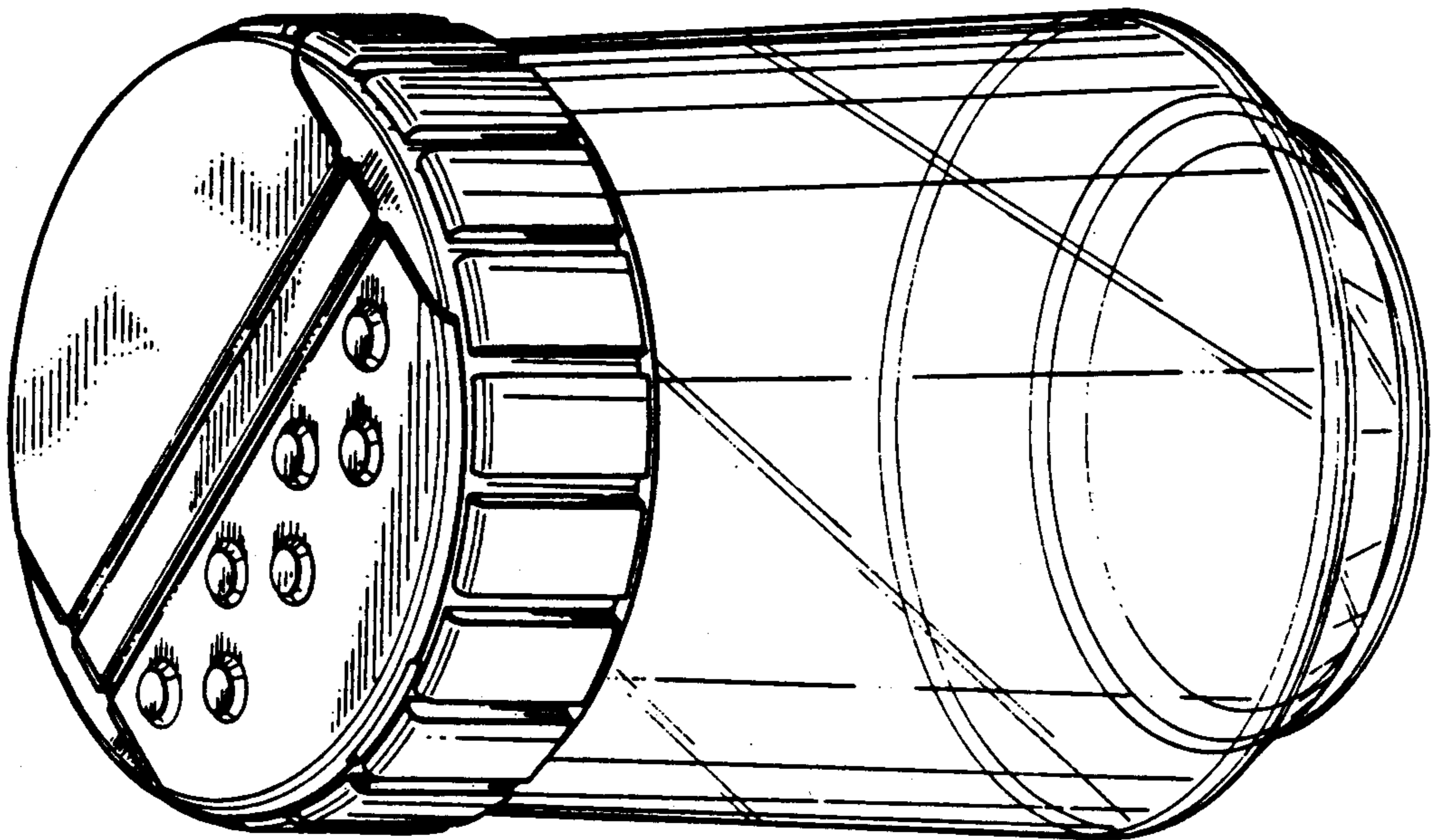


FIG. 2

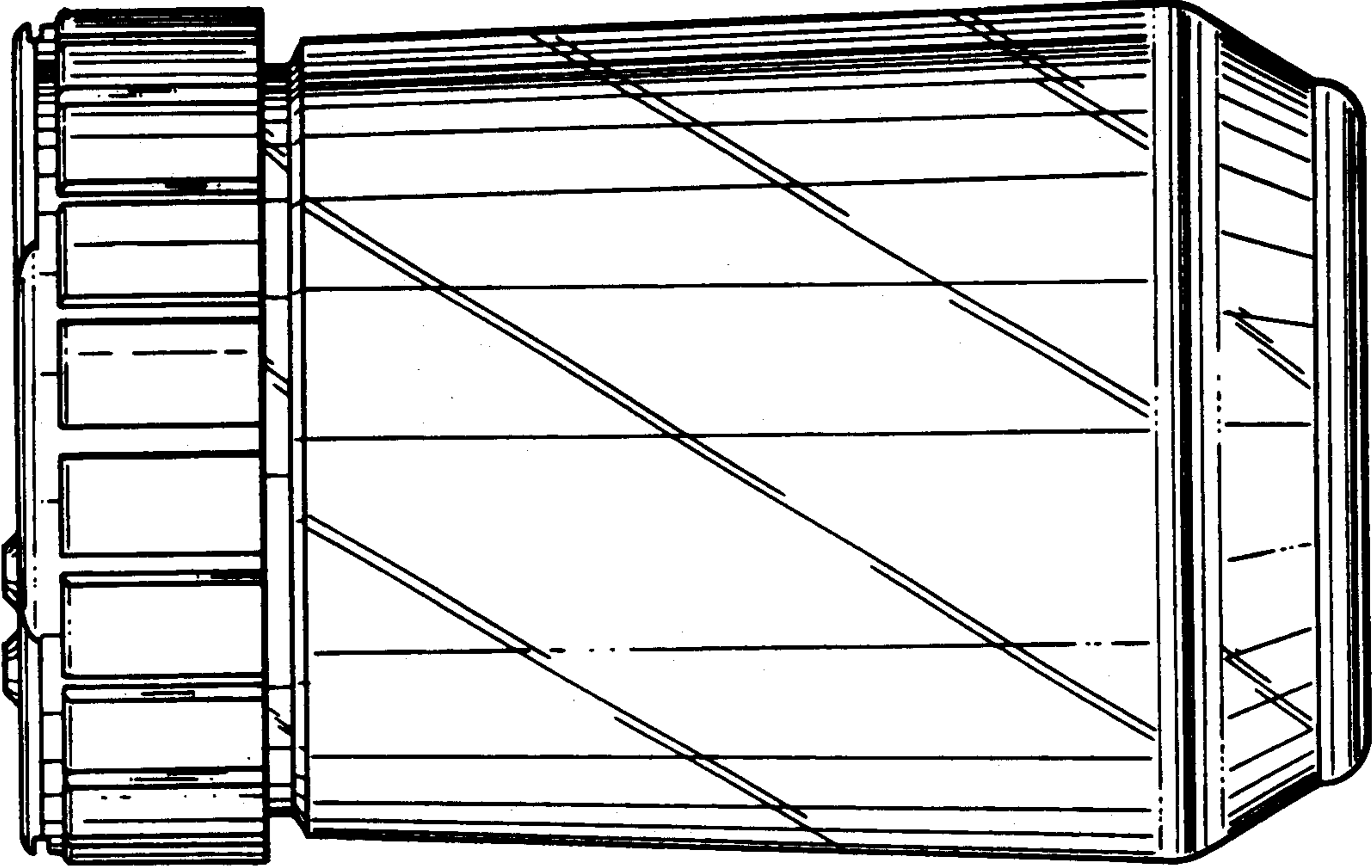


FIG. 3

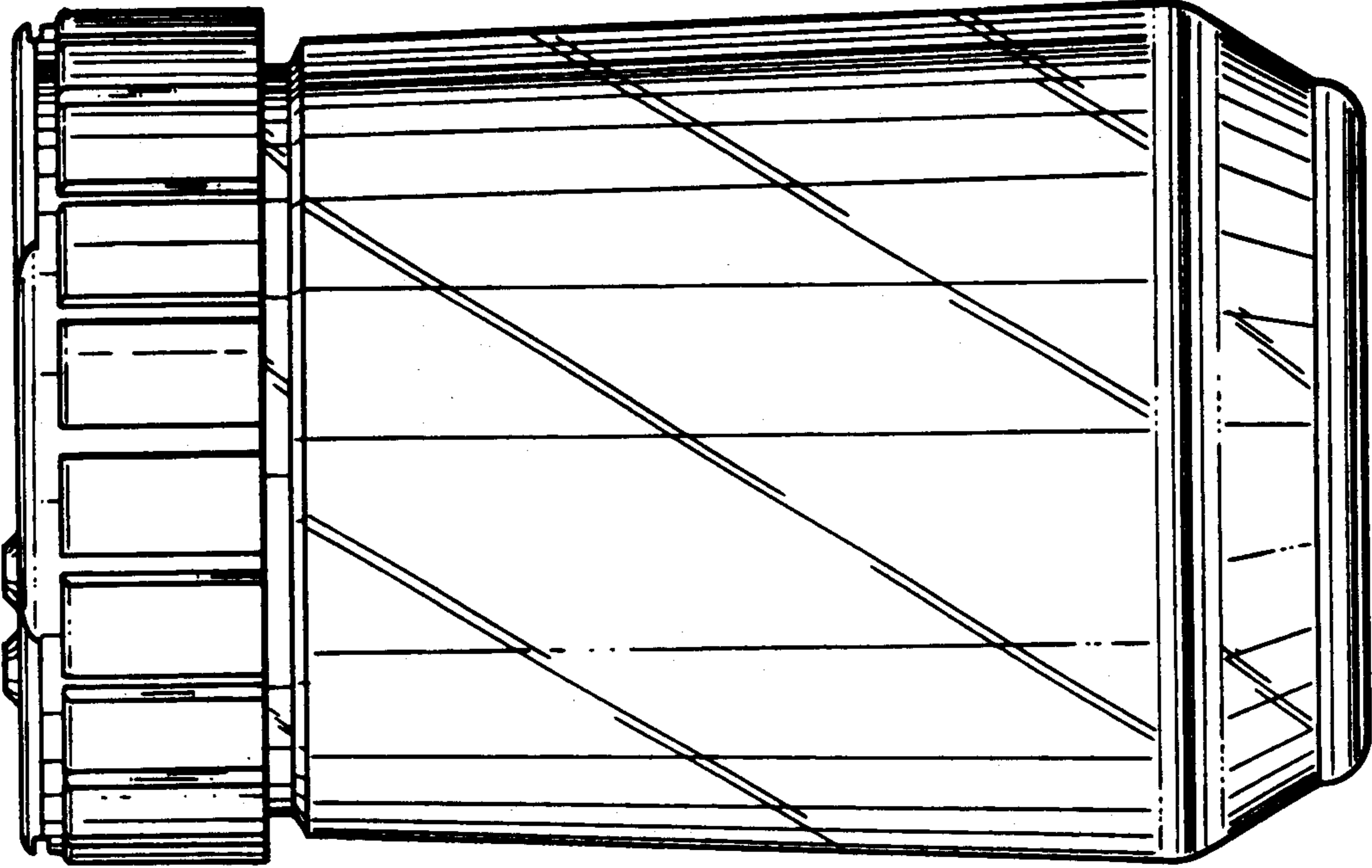


FIG. 4



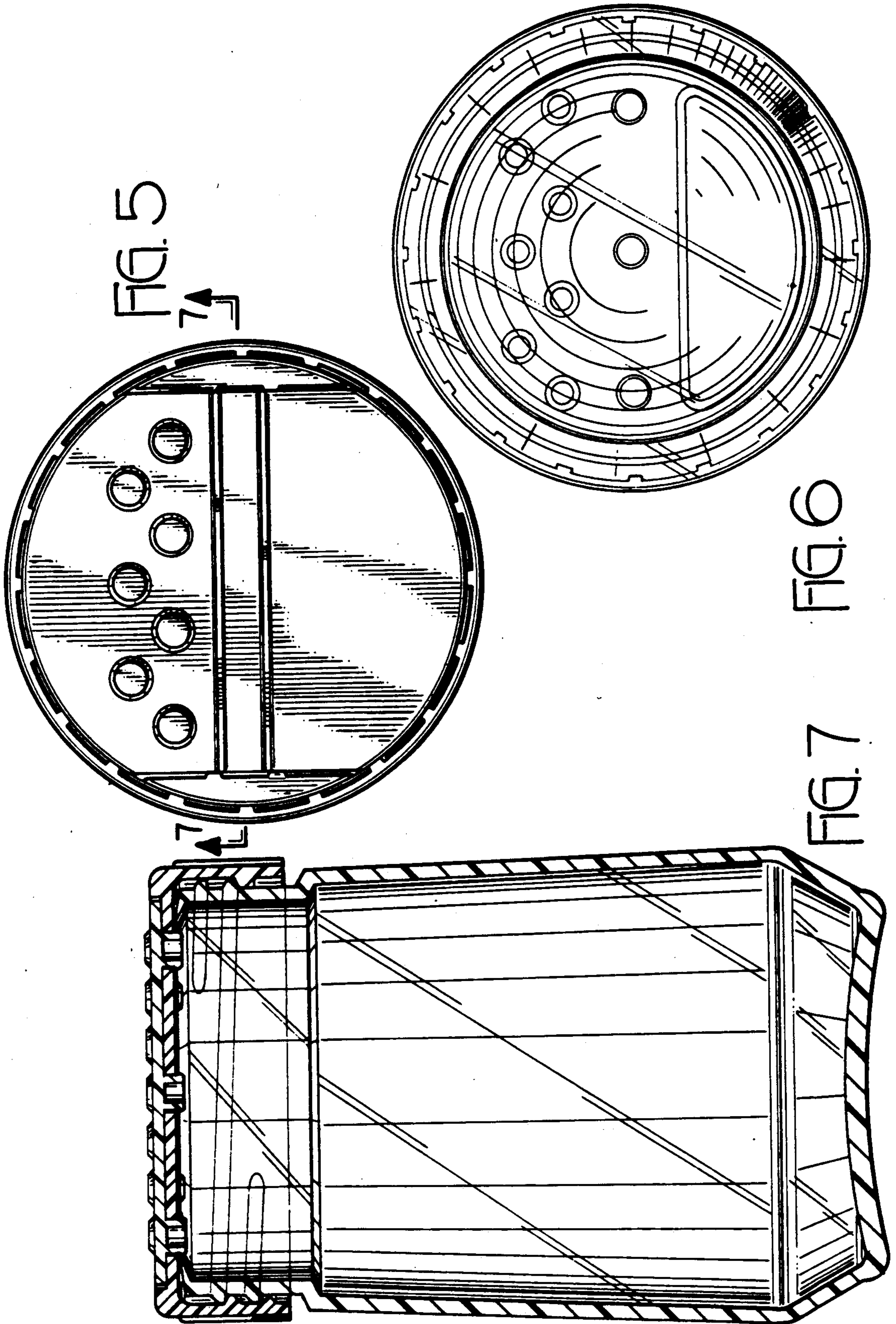


FIG. 5

FIG. 6

FIG. 7

FIG. 8