

# United States Patent [19]

Kubo et al.

[11] Patent Number: **Des. 318,774**

[45] Date of Patent: **\*\* Aug. 6, 1991**

[54] **MICROWAVE OVEN**

[75] Inventors: **Masayoshi Kubo, Nara; Masuo Ichihara, Kyoto, both of Japan**

[73] Assignee: **Matsushita Electric Industrial Co., Ltd., Osaka, Japan**

[\*] Notice: **The portion of the term of this patent subsequent to Nov. 20, 2004 has been disclaimed.**

[\*\*] Term: **14 Years**

[21] Appl. No.: **333,578**

[22] Filed: **Apr. 5, 1989**

[30] **Foreign Application Priority Data**

Dec. 28, 1988 [JP] Japan ..... 63-51604

[52] U.S. Cl. .... **D7/351**

[58] Field of Search ..... **D7/350, 351; 219/10.55 R, 10.55 A, 10.55 C, 10.55 D, 10.55 F; 126/273 R, 273 A, 275 R, 275 E**

[56]

**References Cited**

**U.S. PATENT DOCUMENTS**

273,747.	5/1984	Haruguchi et al. ....	D7/351
D. 273,751	5/1984	Haruguchi et al. ....	D7/351
287,924	1/1987	Kubo et al. ....	D7/351
D. 309,691	8/1990	Yamagami et al. ....	D7/351
D. 310,151	8/1990	Kubo et al. ....	D7/351

**OTHER PUBLICATIONS**

Panasonic Catalog, Aug. 1988 NN-2808.

*Primary Examiner*—A. Hugo Word

*Assistant Examiner*—Doris V. Coles

*Attorney, Agent, or Firm*—Wenderoth, Lind & Ponack

[57]

**CLAIM**

The ornamental design for a microwave oven, as shown.

**DESCRIPTION**

FIG. 1 is a front, top and right side perspective view of a microwave oven showing our new design; FIG. 2 is a right side elevational view thereof; FIG. 3 is a top plan view thereof; FIG. 4 is a bottom plan view thereof; and FIG. 5 is a rear elevational view thereof.

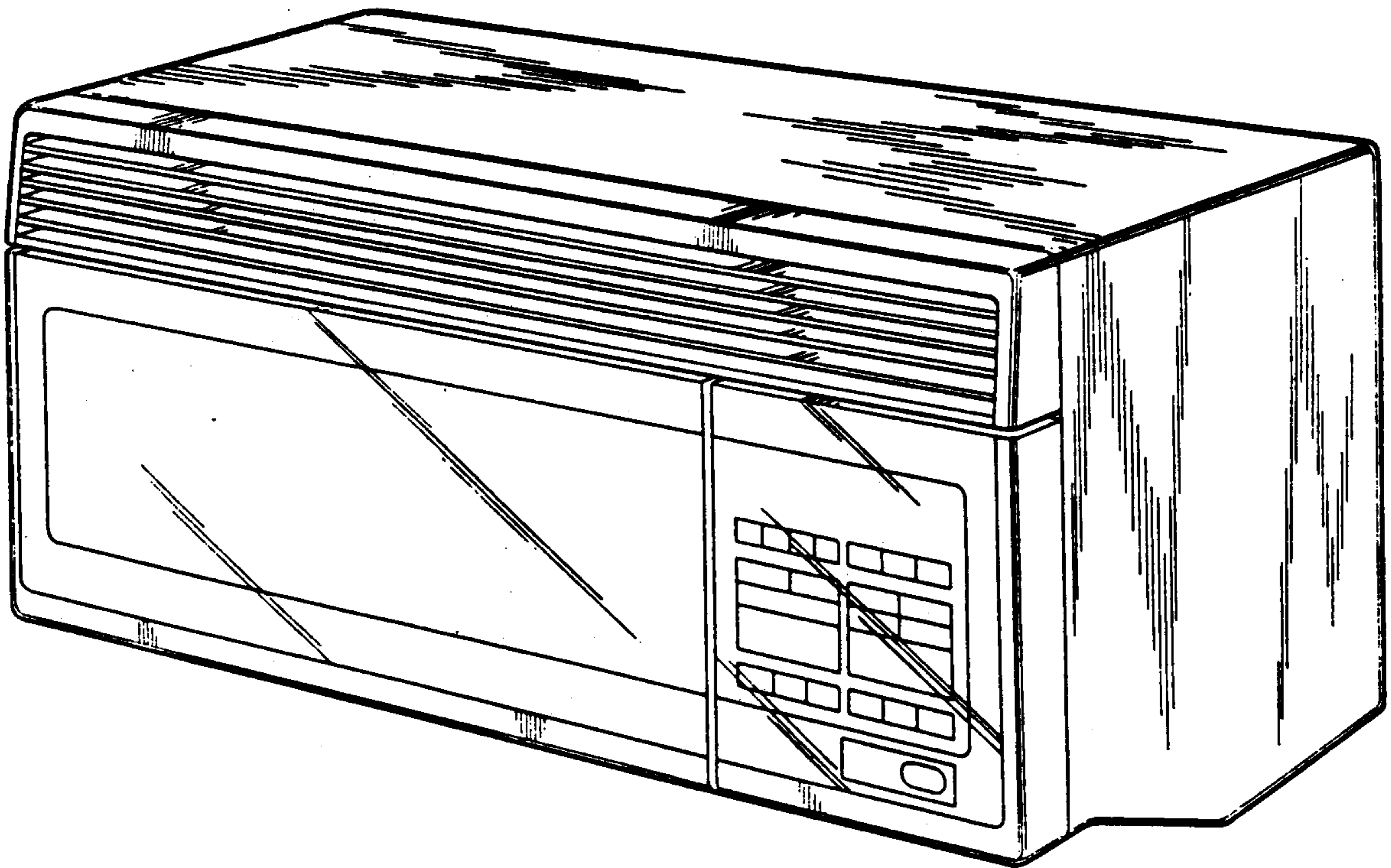


FIG. 1

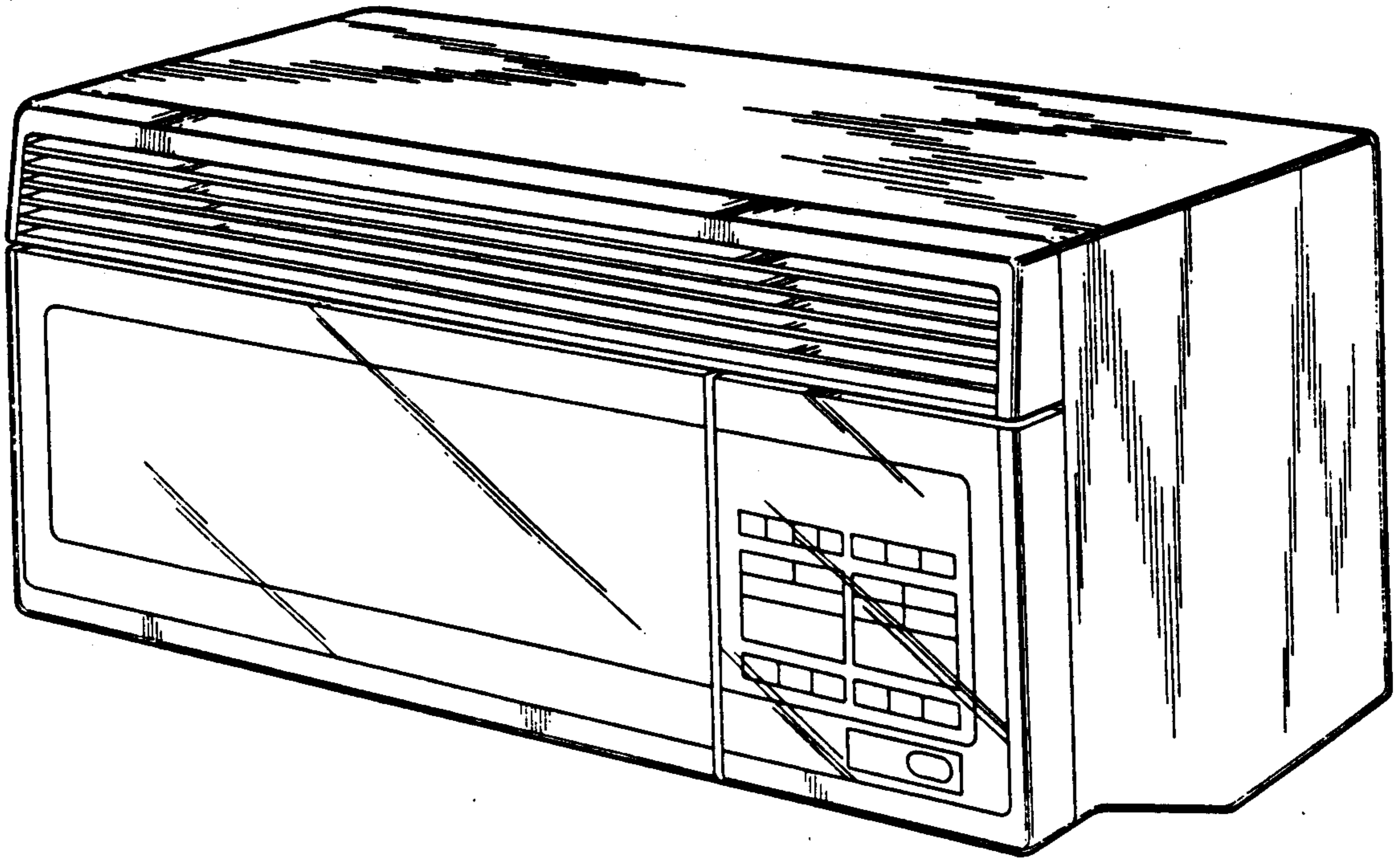


FIG. 2

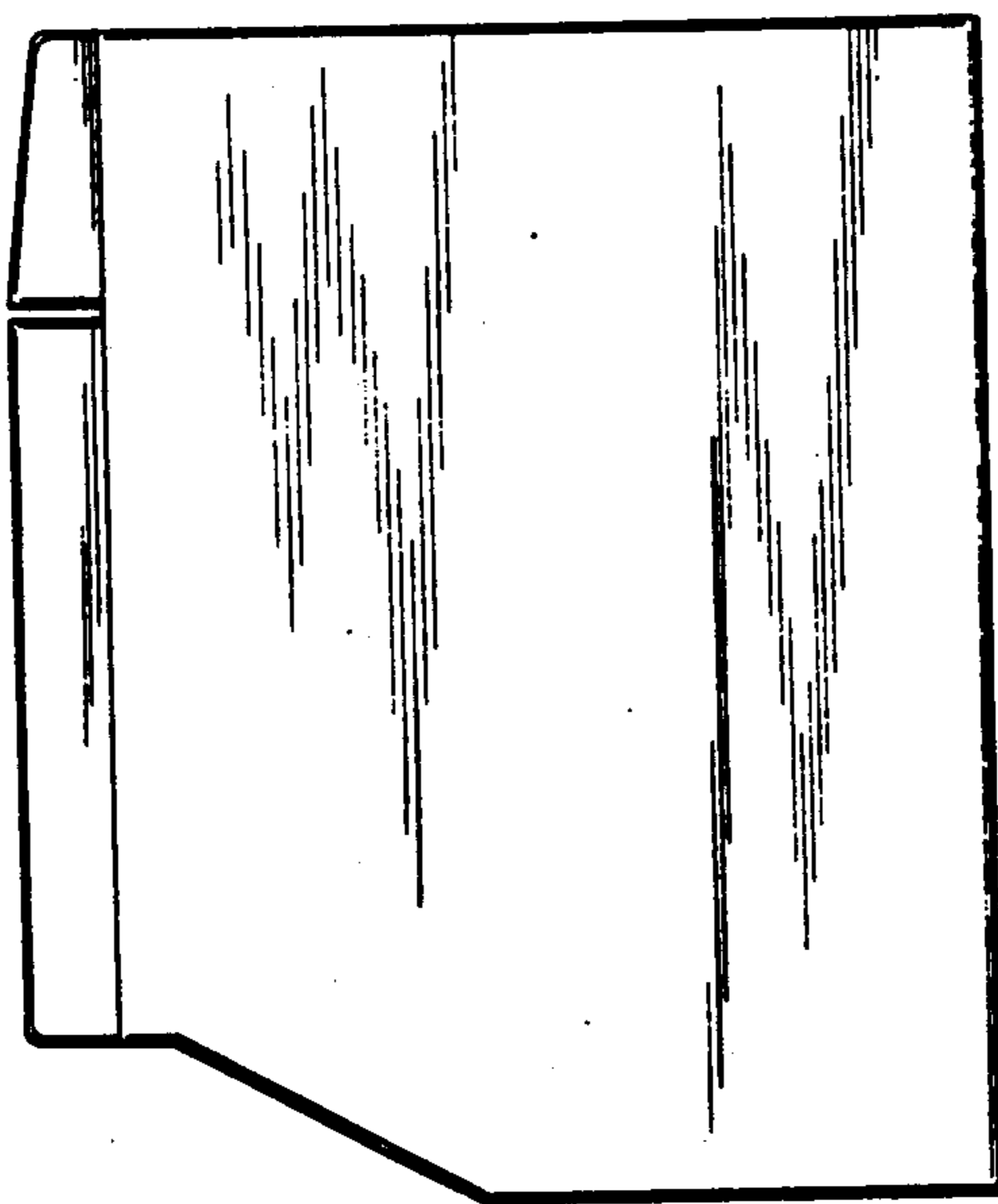


FIG. 3

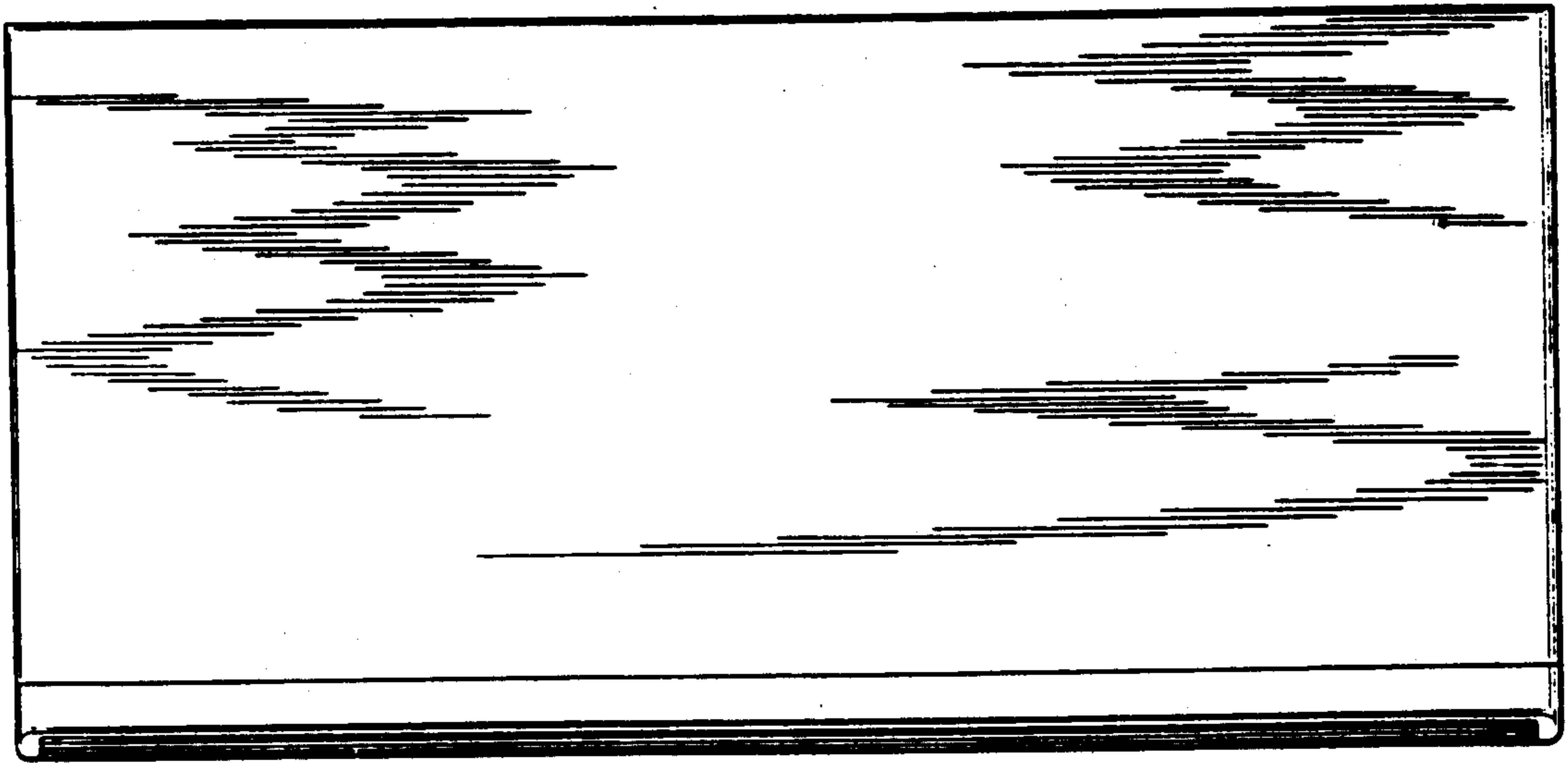


FIG. 4

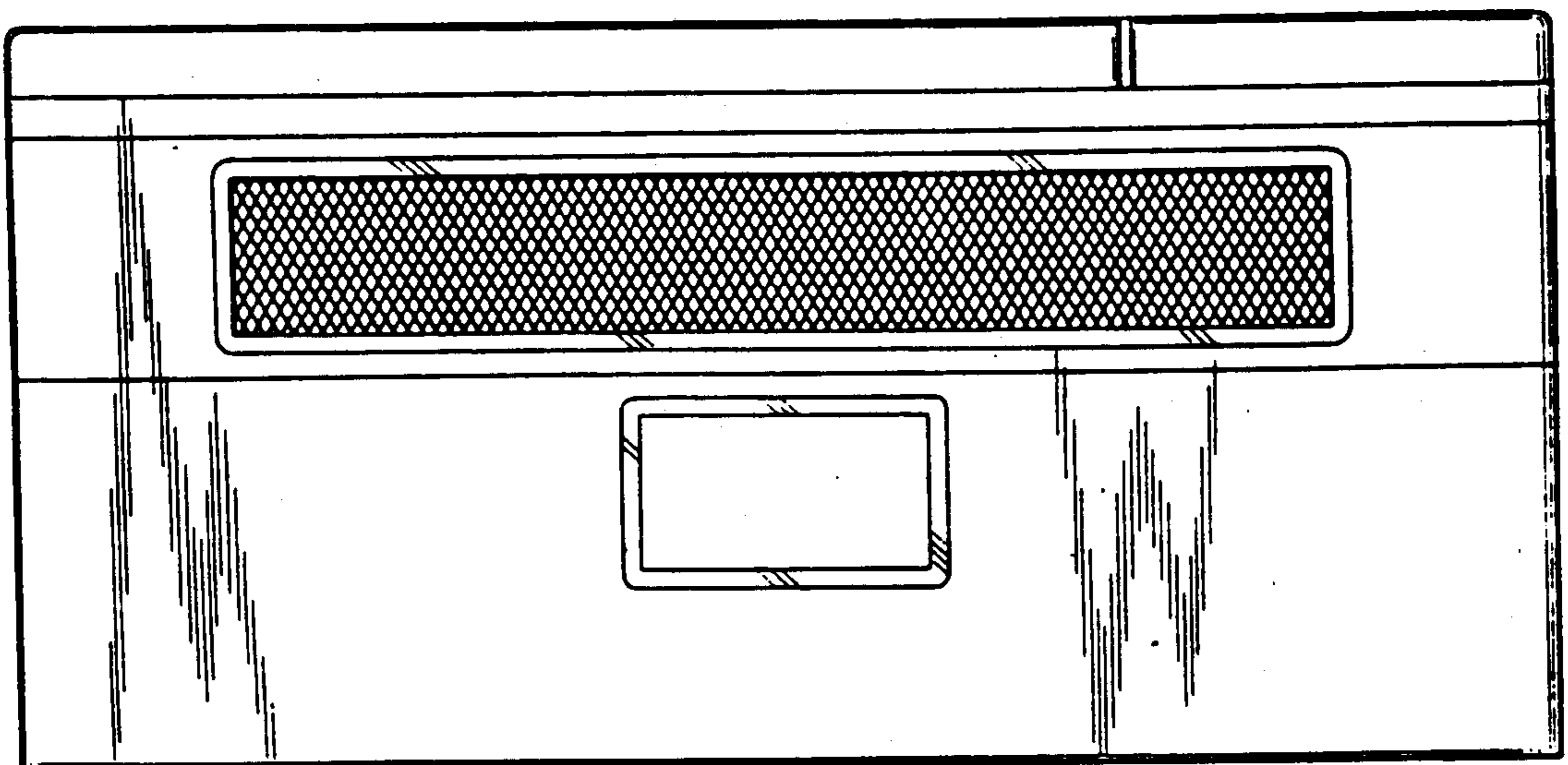


FIG. 5

