

[54] **TOASTER**

[75] **Inventor:** Lutz Gebhardt, Darmstadt, Fed. Rep. of Germany

[73] **Assignee:** Rowenta-Werke GmbH, Offenbach, Fed. Rep. of Germany

[*] **Notice:** The portion of the term of this patent subsequent to Jul. 30, 2005 has been disclaimed.

[**] **Term:** 14 Years

[21] **Appl. No.:** 185,802

[22] **Filed:** Apr. 25, 1988

[30] **Foreign Application Priority Data**

Oct. 25, 1987 [DE] Fed. Rep. of Germany 5 MR 10798

[52] **U.S. Cl.** D7/330

[58] **Field of Search** 99/388, 389, 391, 385, 99/327, 331; D7/328, 330, 329, 323, 350, 331

[56] **References Cited**

U.S. PATENT DOCUMENTS

D. 220,809 5/1971 Krammes D7/330
2,339,183 1/1944 Myers 99/327

2,764,081 9/1956 Glasser 99/391

FOREIGN PATENT DOCUMENTS

1454045. 2/1969 Fed. Rep. of Germany 99/385

OTHER PUBLICATIONS

W. Bell & Co., 1987 Catalogs, ©1986, p. 306, Maxim, #4, Toaster—middle left.

Primary Examiner—Winifred E. Herrmann
Attorney, Agent, or Firm—Toren, McGeady & Associates

[57] **CLAIM**

The ornamental design for a toaster, as shown.

DESCRIPTION

FIG. 1 is a top, front, and right side perspective view of a toaster showing my new design;

FIG. 2 is a top, rear, and left side perspective view thereof;

FIG. 3 is a right side elevational view thereof;

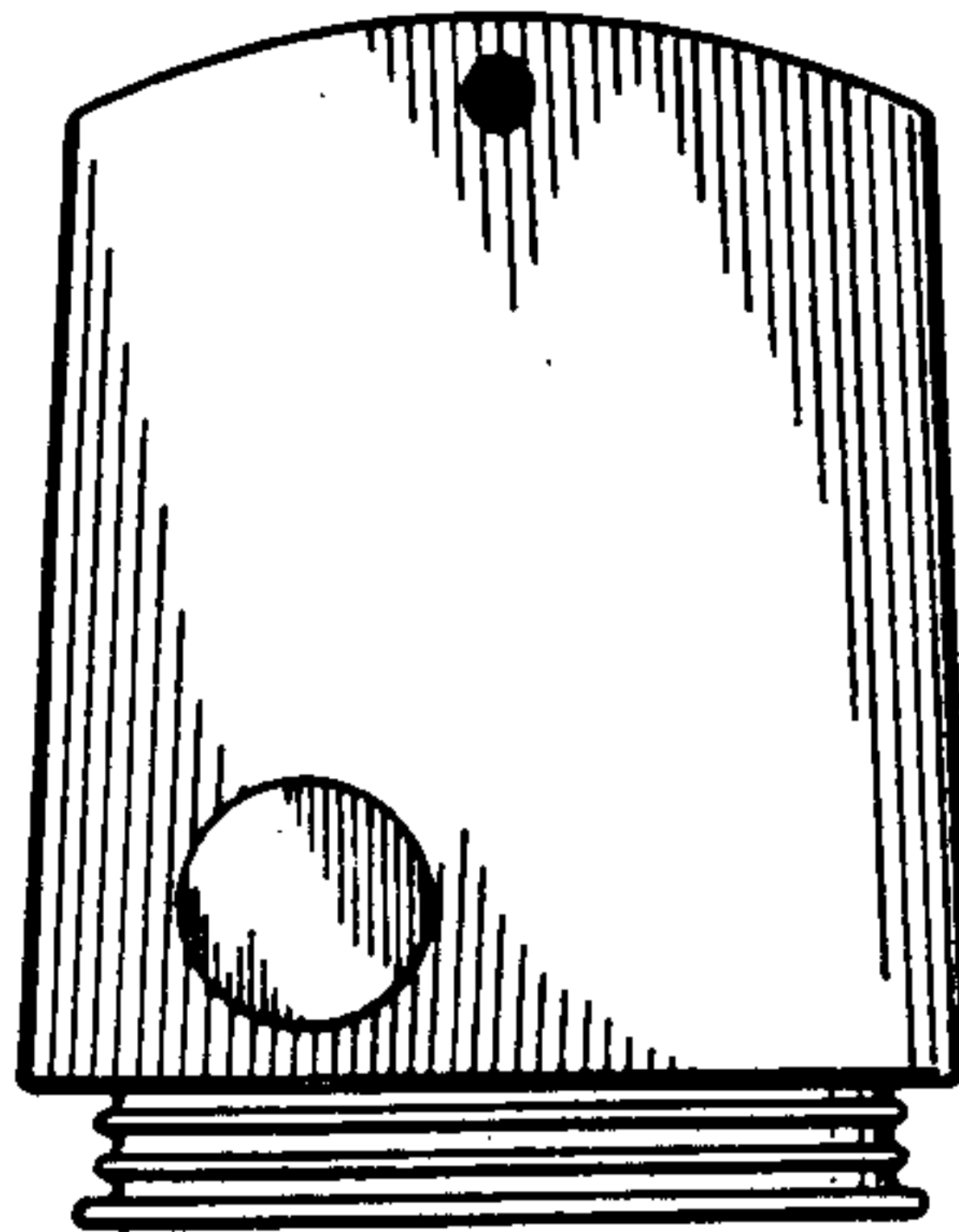
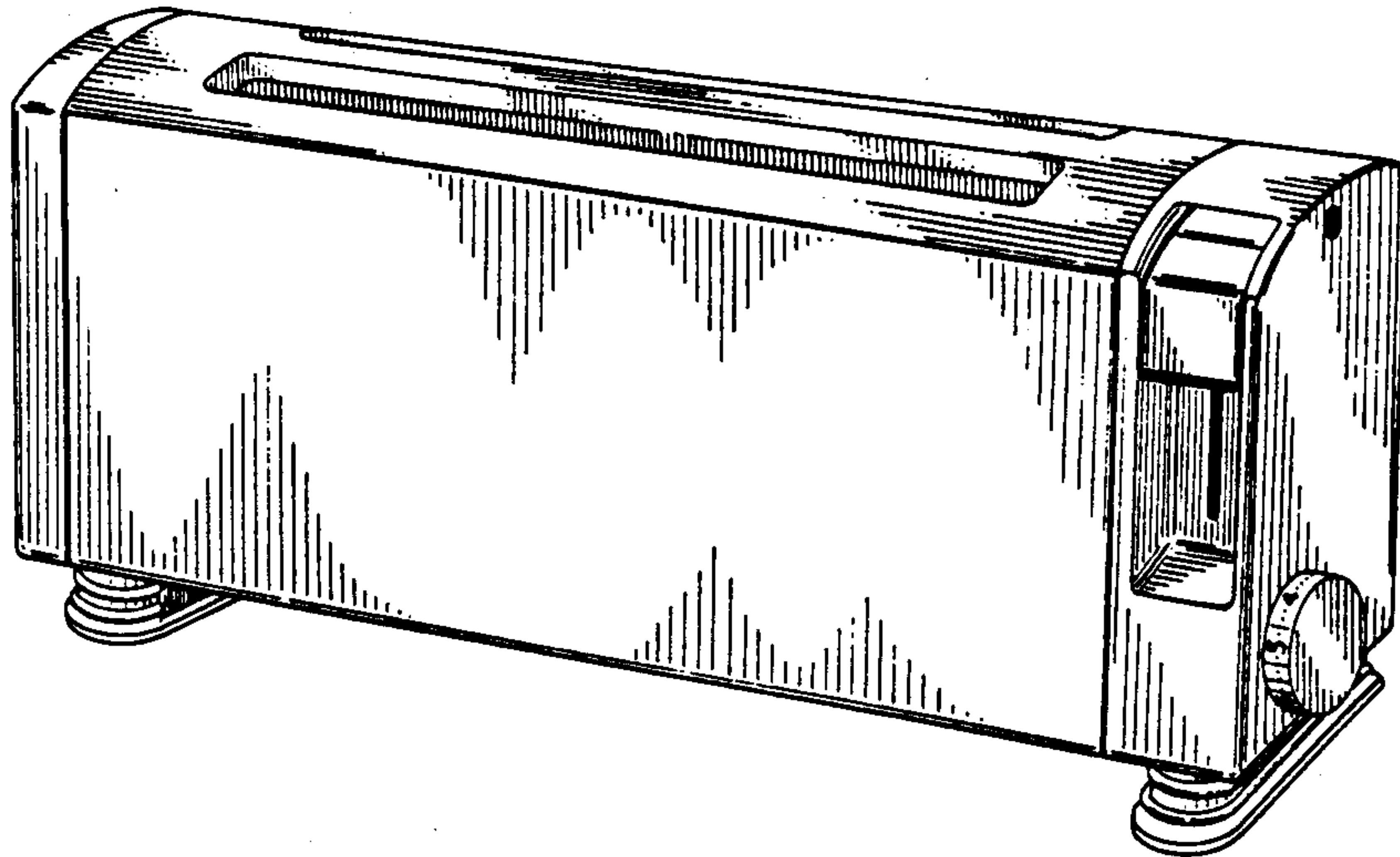
FIG. 4 is a left side elevational view thereof;

FIG. 5 is a front perspective view thereof;

FIG. 6 is a rear perspective view thereof;

FIG. 7 is a top plan view thereof; and

FIG. 8 is a bottom plan view thereof.



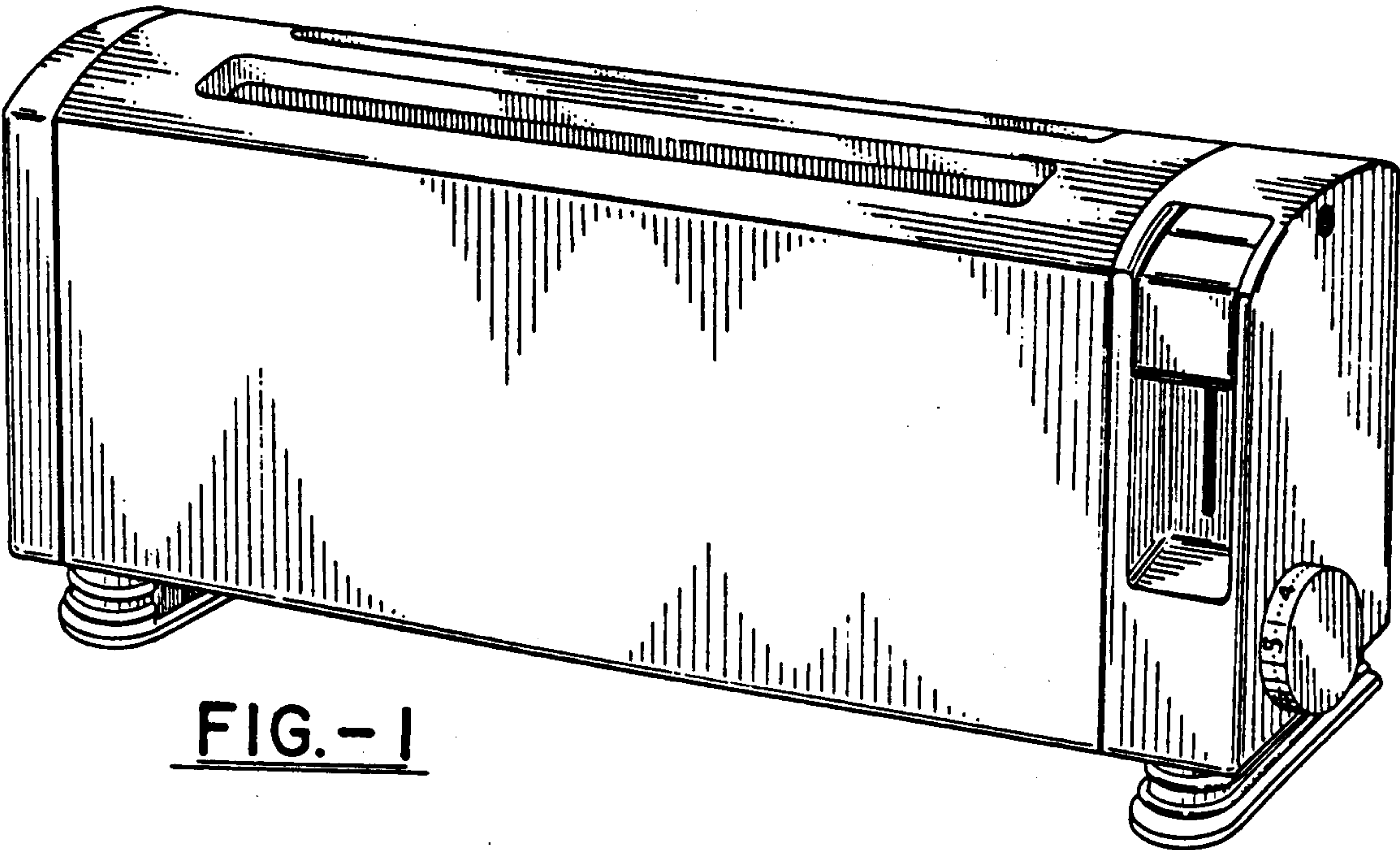


FIG. - 1

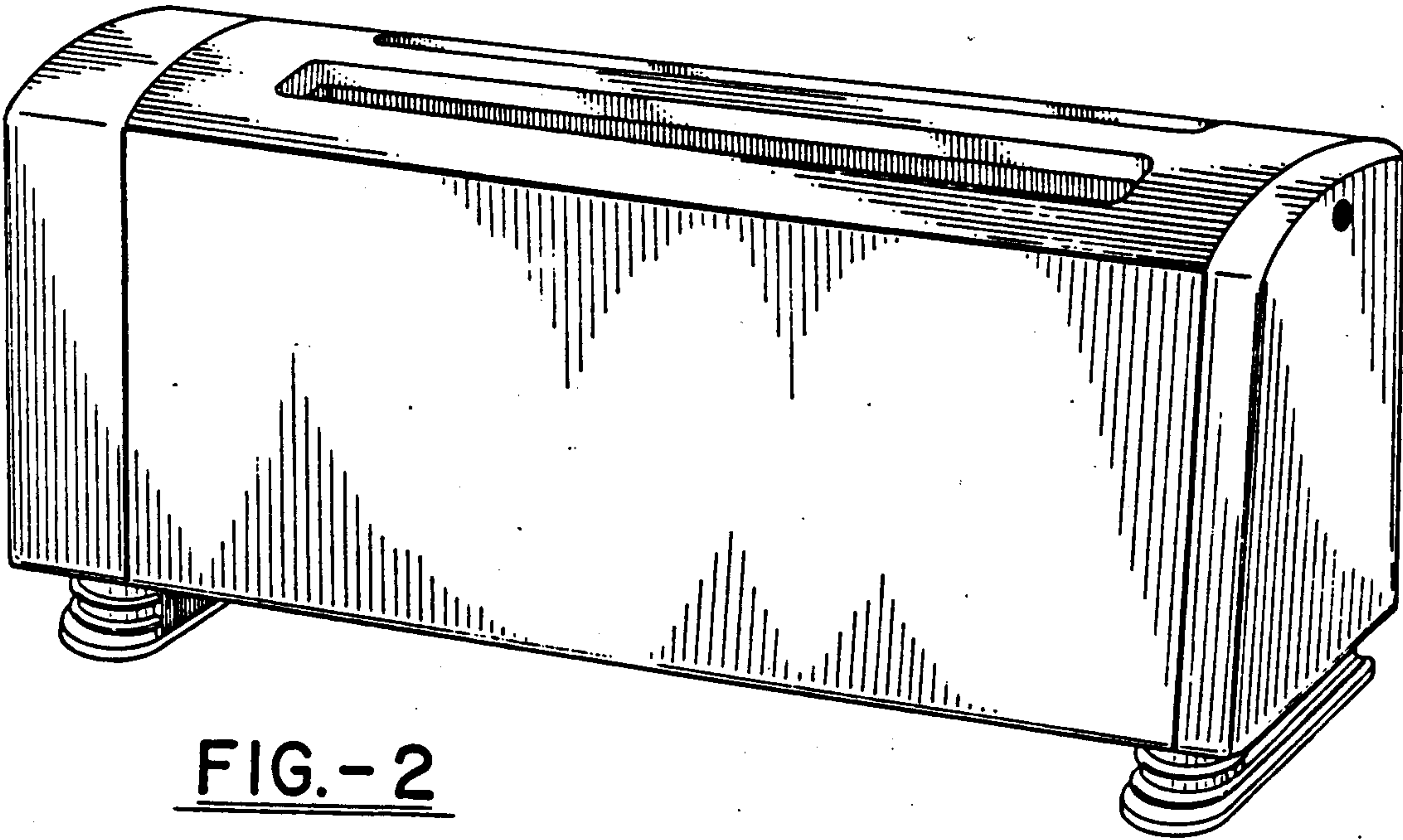


FIG. - 2

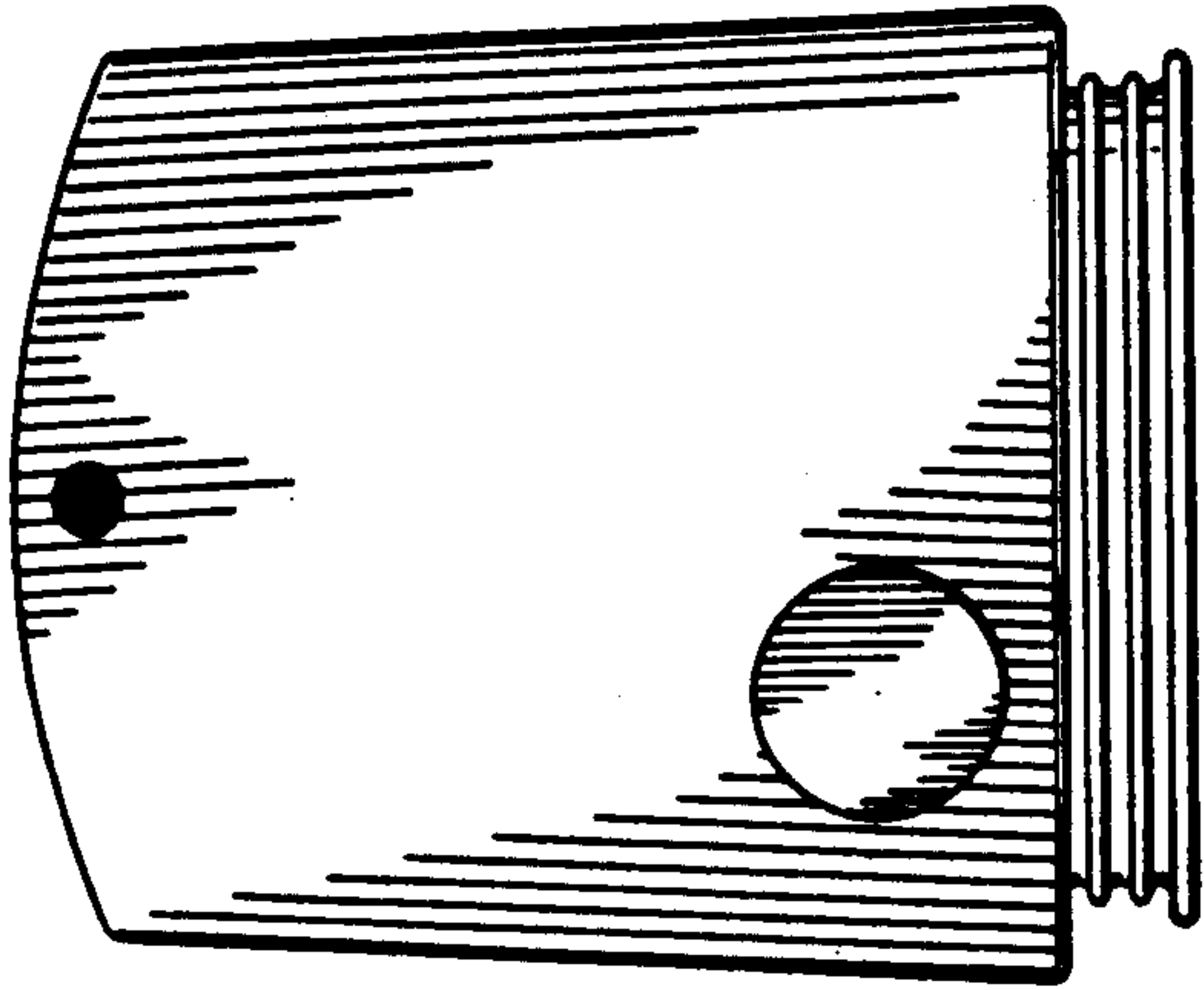


FIG.-3

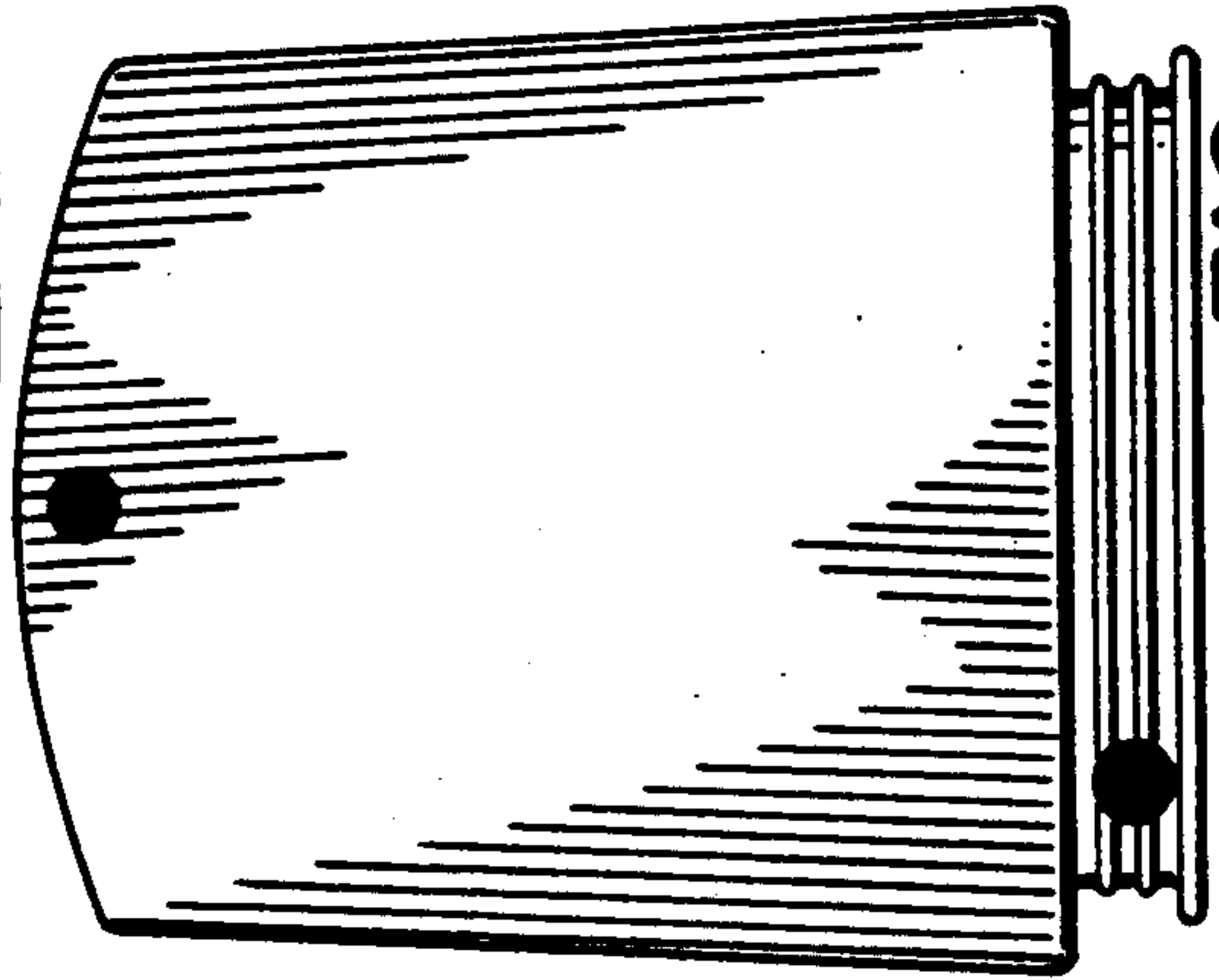


FIG.-4

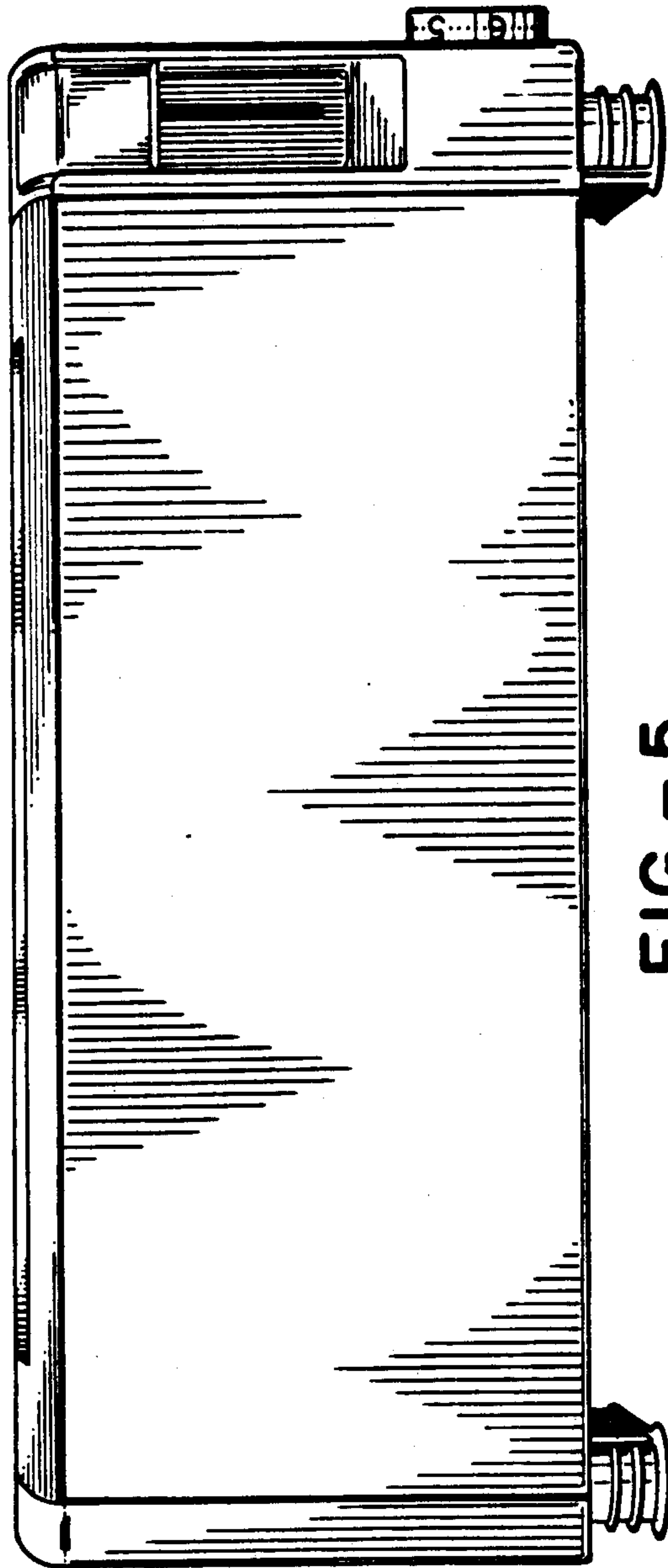


FIG.-5

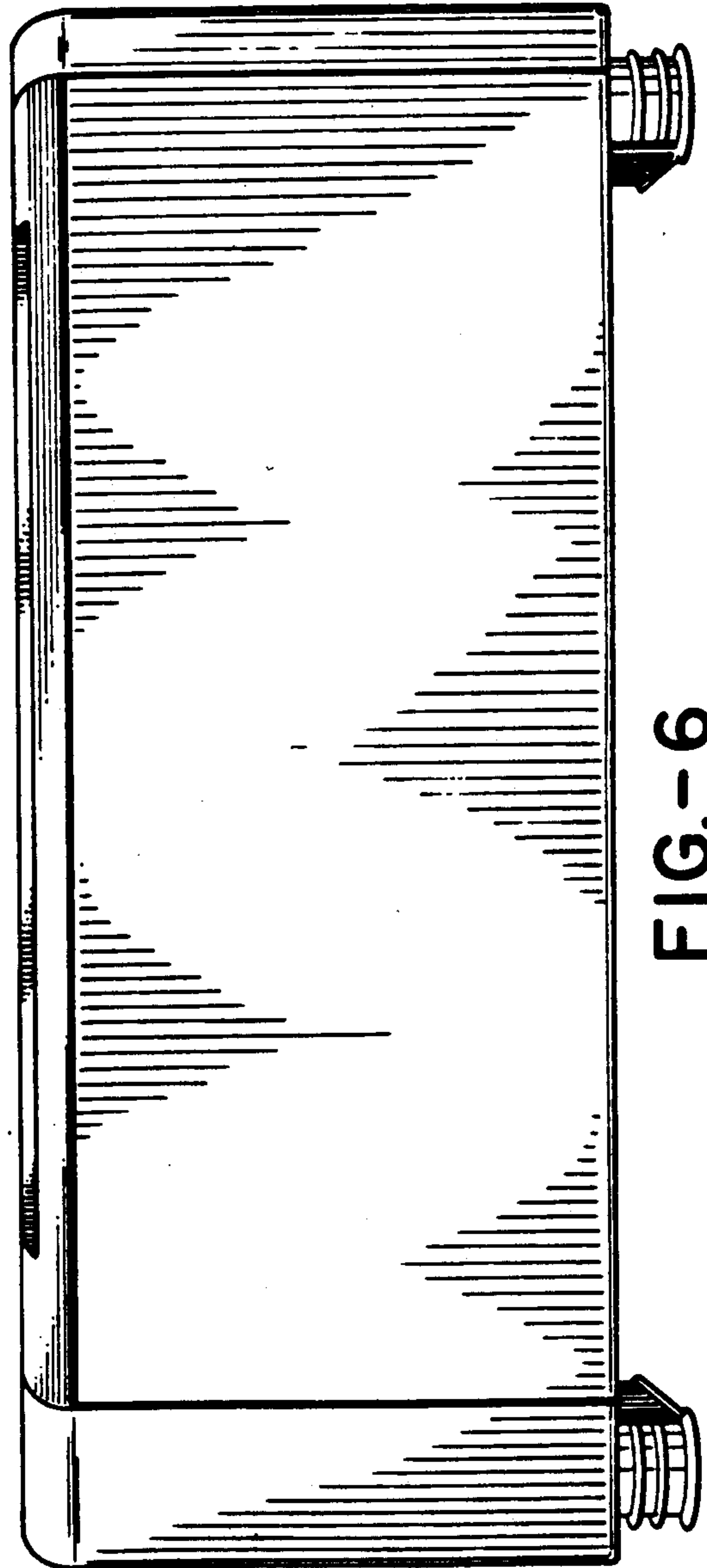


FIG.-6

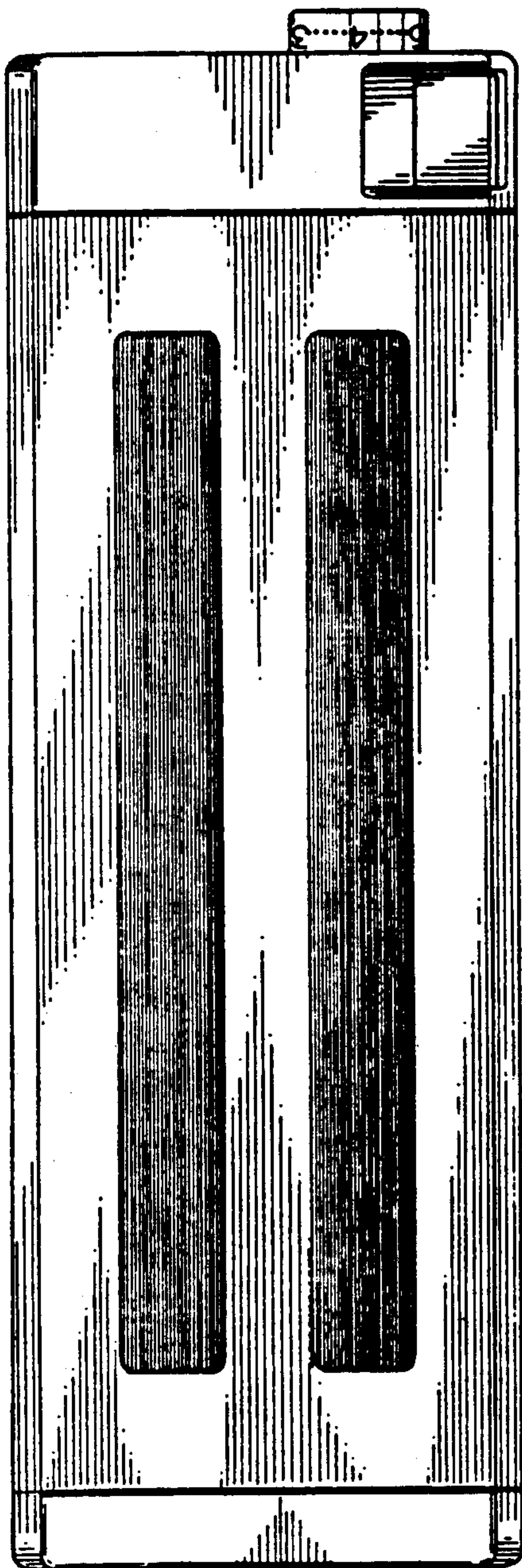


FIG.-7

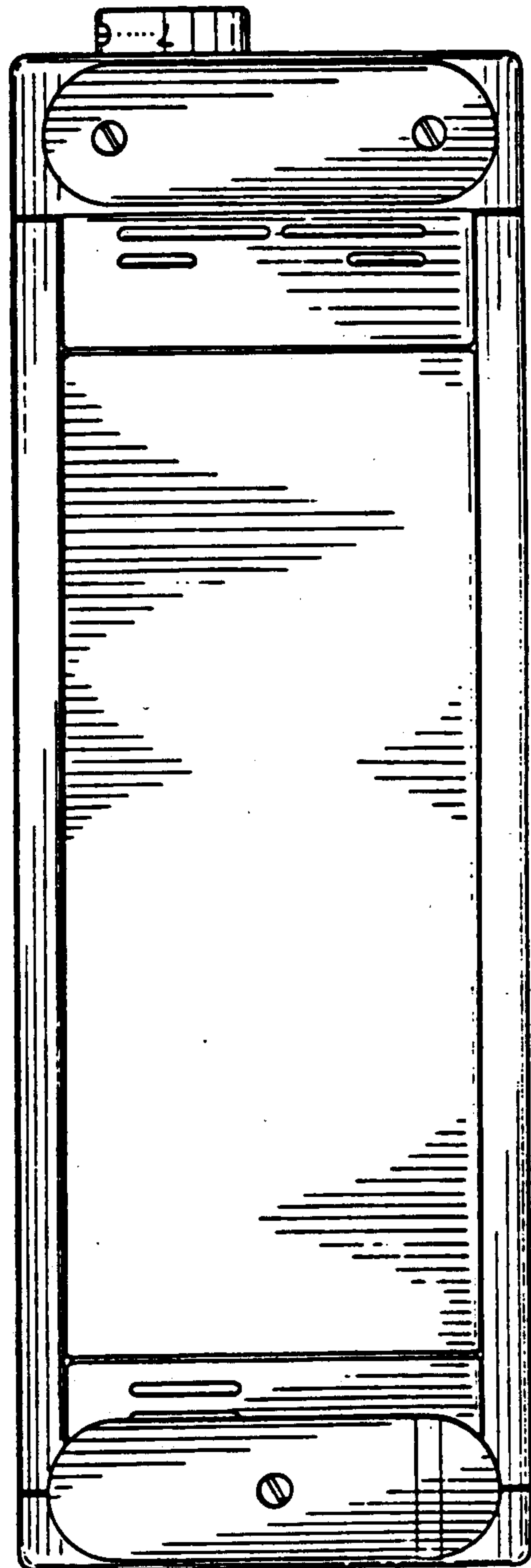


FIG.-8