

[54] FOLDING HOLDER FOR COMPACT DISCS

[75] Inventor: Yun-Sheung Chow, Hong Kong, Hong Kong

[73] Assignee: Sun Hing Audio Equipment Mfy. Ltd., Hong Kong, Hong Kong

[**] Term: 14 Years

[21] Appl. No.: 503,367

[22] Filed: Apr. 2, 1990

[30] Foreign Application Priority Data

Oct. 4, 1989 [GB] United Kingdom 2001468

[52] U.S. Cl. D6/407; D3/35

[58] Field of Search D3/30.1, 35, 36-38, D3/39, 44, 49, 52, 53, 56, 60, 71, 72, 73, 74, 75, 78, 79, 99; D6/407, 475, 569; D9/337, 423, 432; D19/26, 28, 76, 92; 150/147; 190/11, 16; 206/15, 45, 45.13, 45.23, 214, 309-313, 373, 387, 412, 425, 444, 472, 561; 211/55; 220/4.21, 4.23, 507, 555, 520; 224/205; 294/149, 150; 360/133

[56] References Cited

U.S. PATENT DOCUMENTS

D. 192,960 6/1962 Buderman D3/30.1
D. 234,066 1/1975 Wallace D6/569

D. 239,232 3/1976 Cockcroft D6/407
D. 267,216 12/1982 Swan D6/407
D. 279,015 5/1985 Henkels D19/92
4,615,445 10/1986 Stocchiero 206/45.23

OTHER PUBLICATIONS

The Country Gourmet p. 39, "Rack the Records" center right of page.

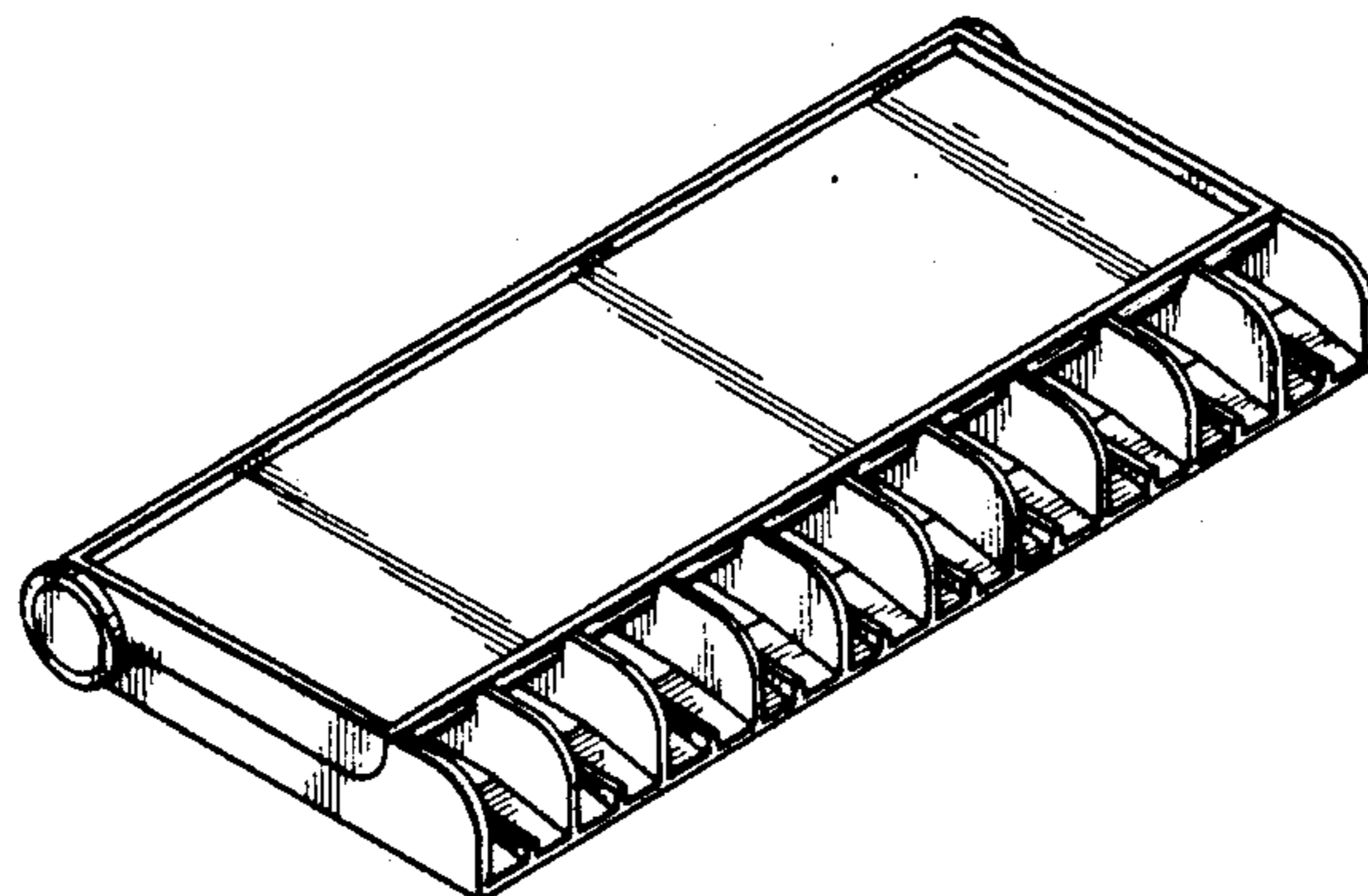
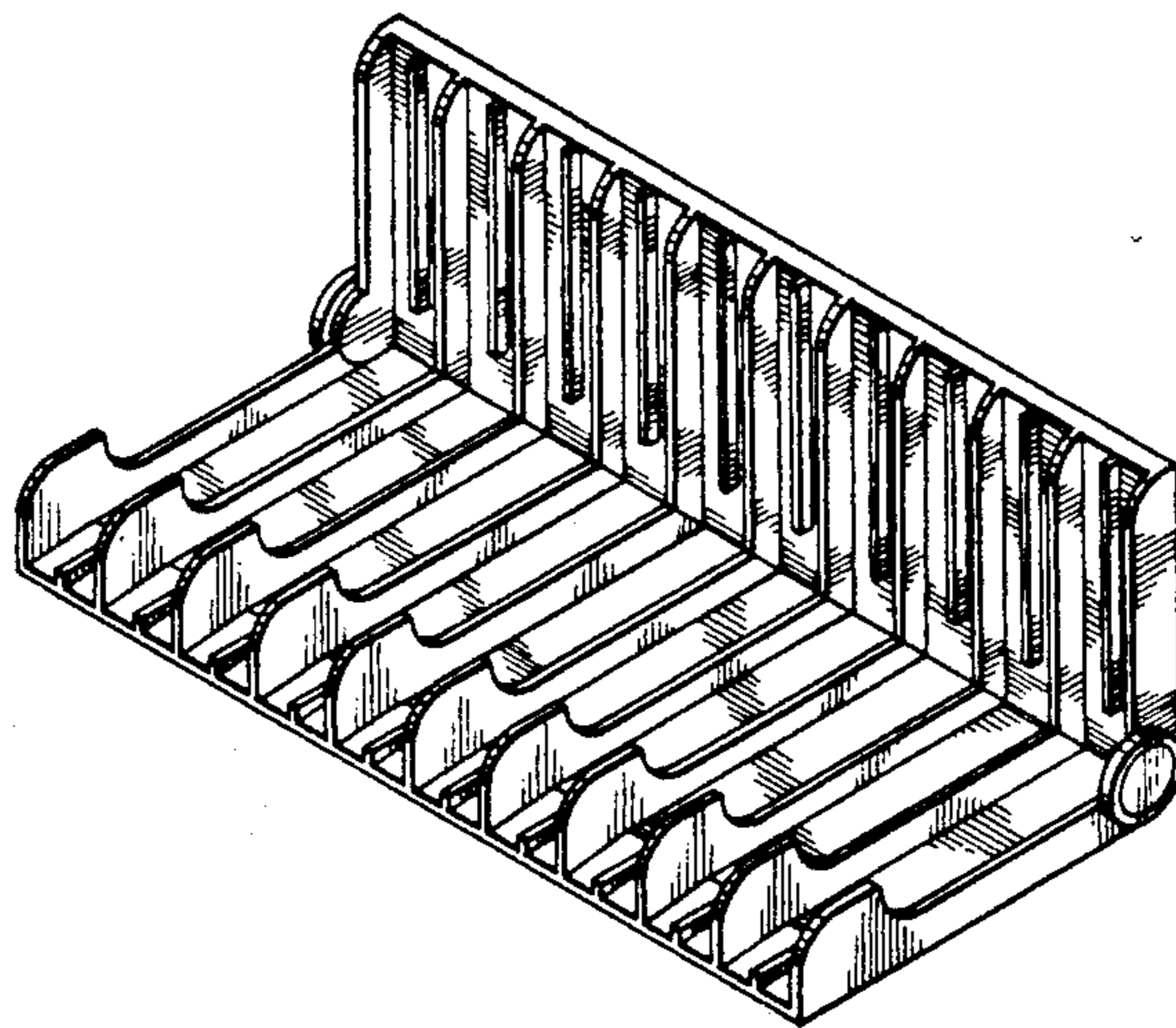
Primary Examiner—A. Hugo Word
Assistant Examiner—Celia A. Murphy
Attorney, Agent, or Firm—Danton K. Mak

[57] CLAIM

The ornamental design of the folding holder for compact discs, as shown and described.

DESCRIPTION

FIG. 1 is a front elevational view of a folding holder for compact discs or the like showing my new design; FIG. 2 is a left side elevational view thereof; FIG. 3 is a top perspective view thereof; FIG. 4 is a bottom perspective view thereof; FIG. 5 is a top plan view thereof; FIG. 6 is a rear elevational view thereof; FIG. 7 is a bottom plan view thereof; FIG. 8 is a top perspective view thereof; shown folded, and FIG. 9 is a bottom perspective view thereof; shown folded.



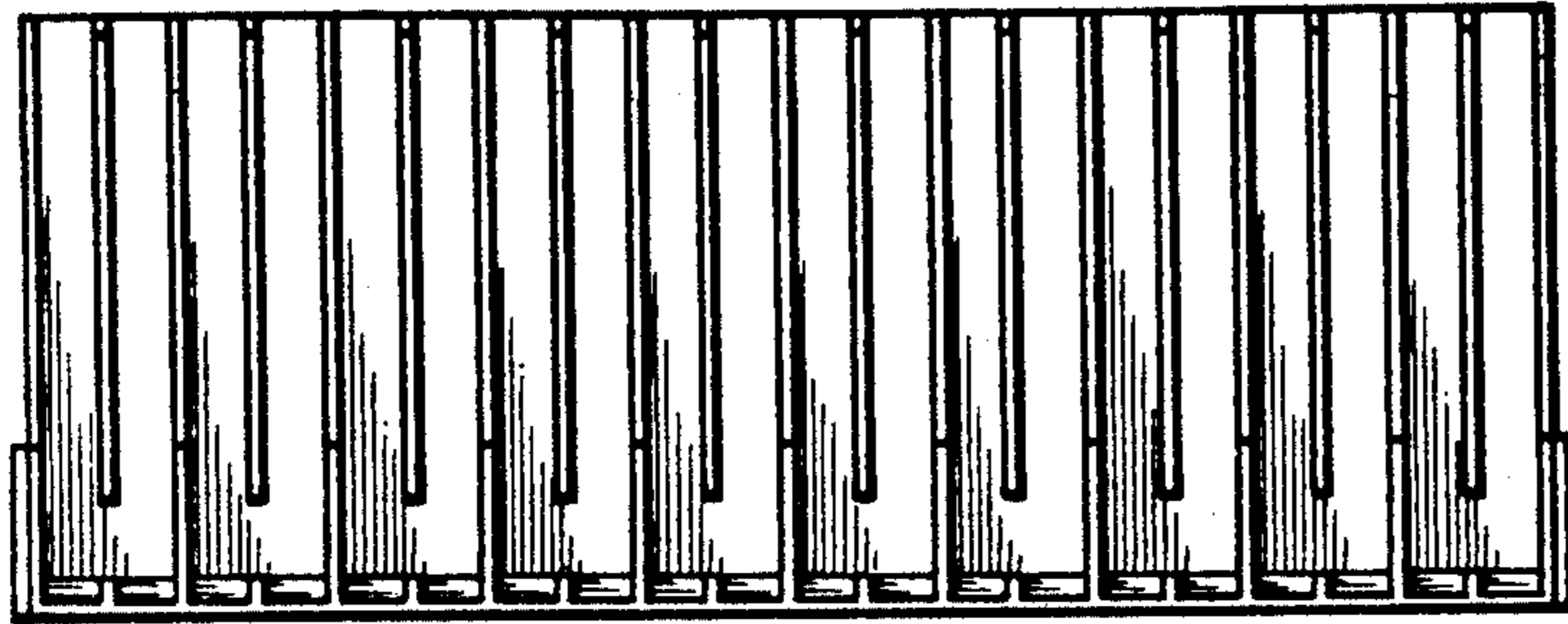


FIG. 1.

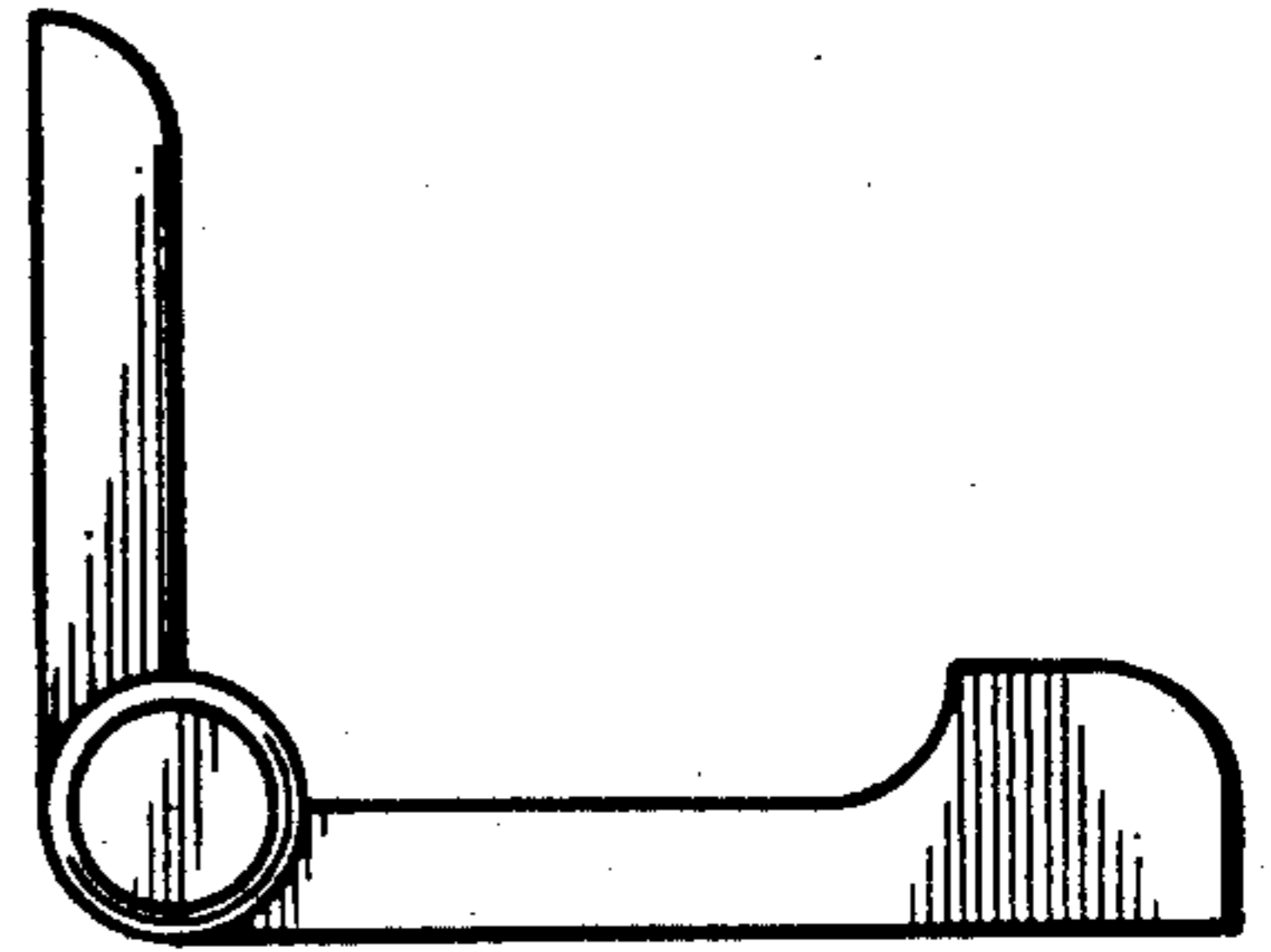


FIG. 2.

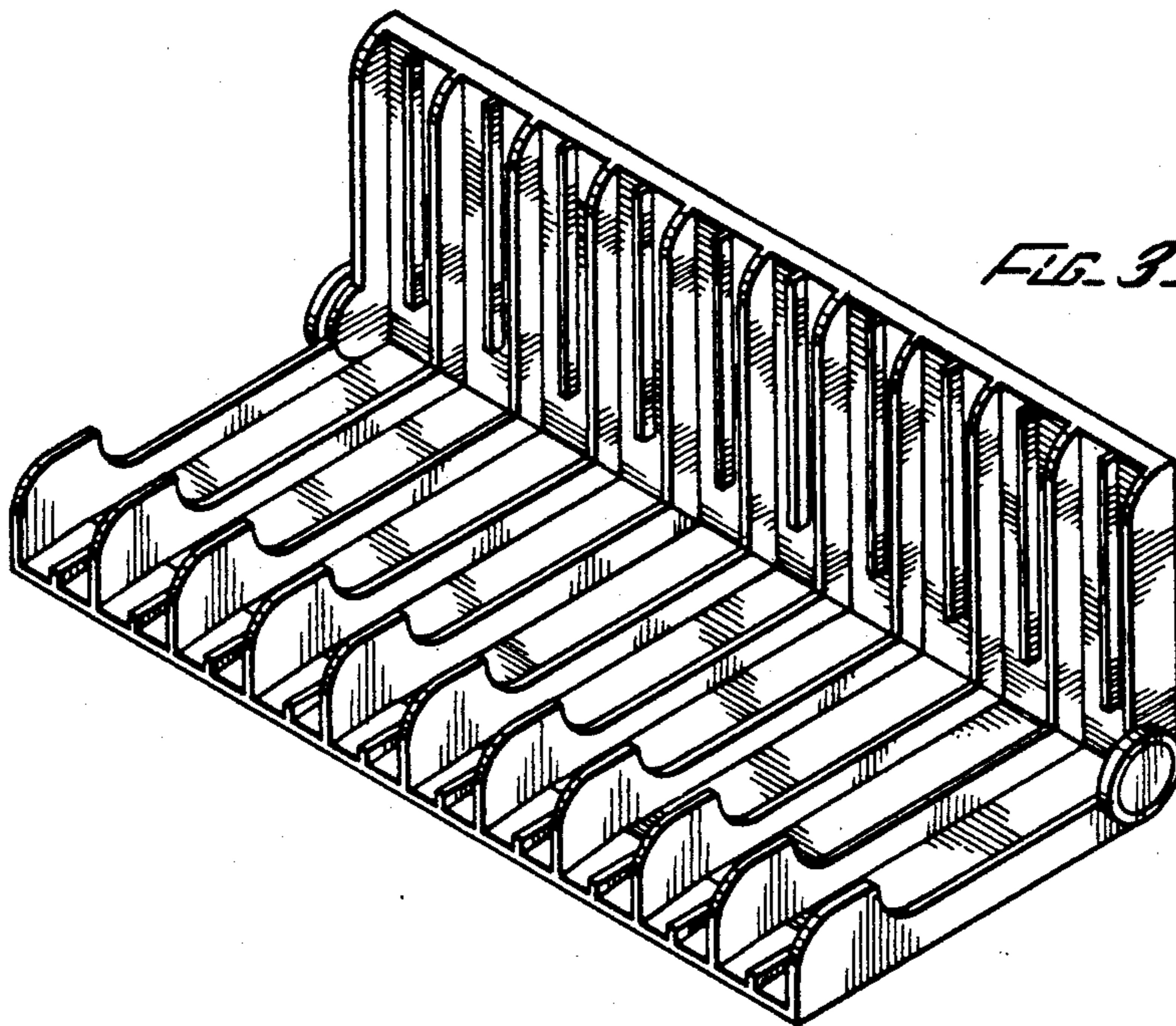
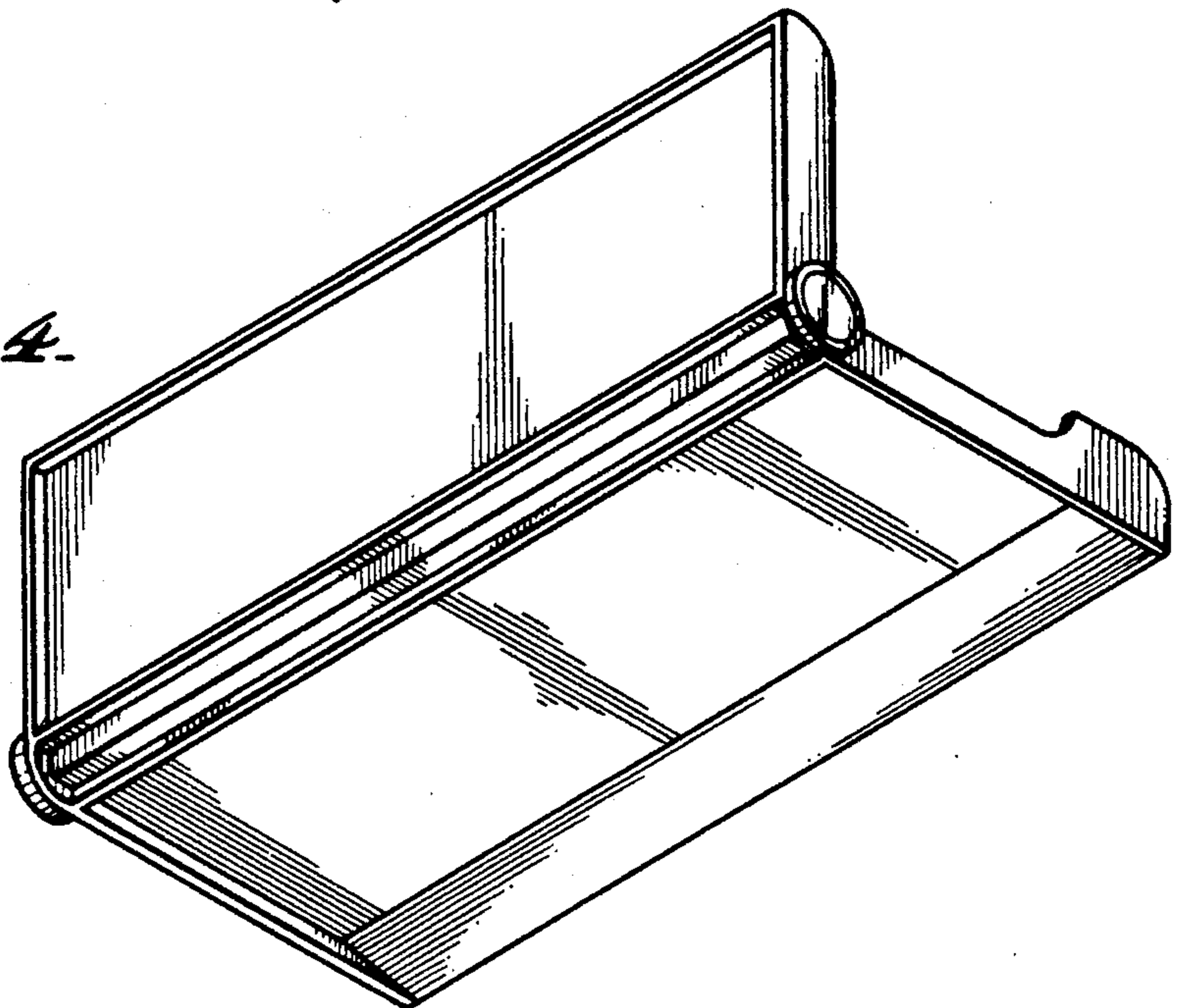


FIG. 3.

FIG. 4.



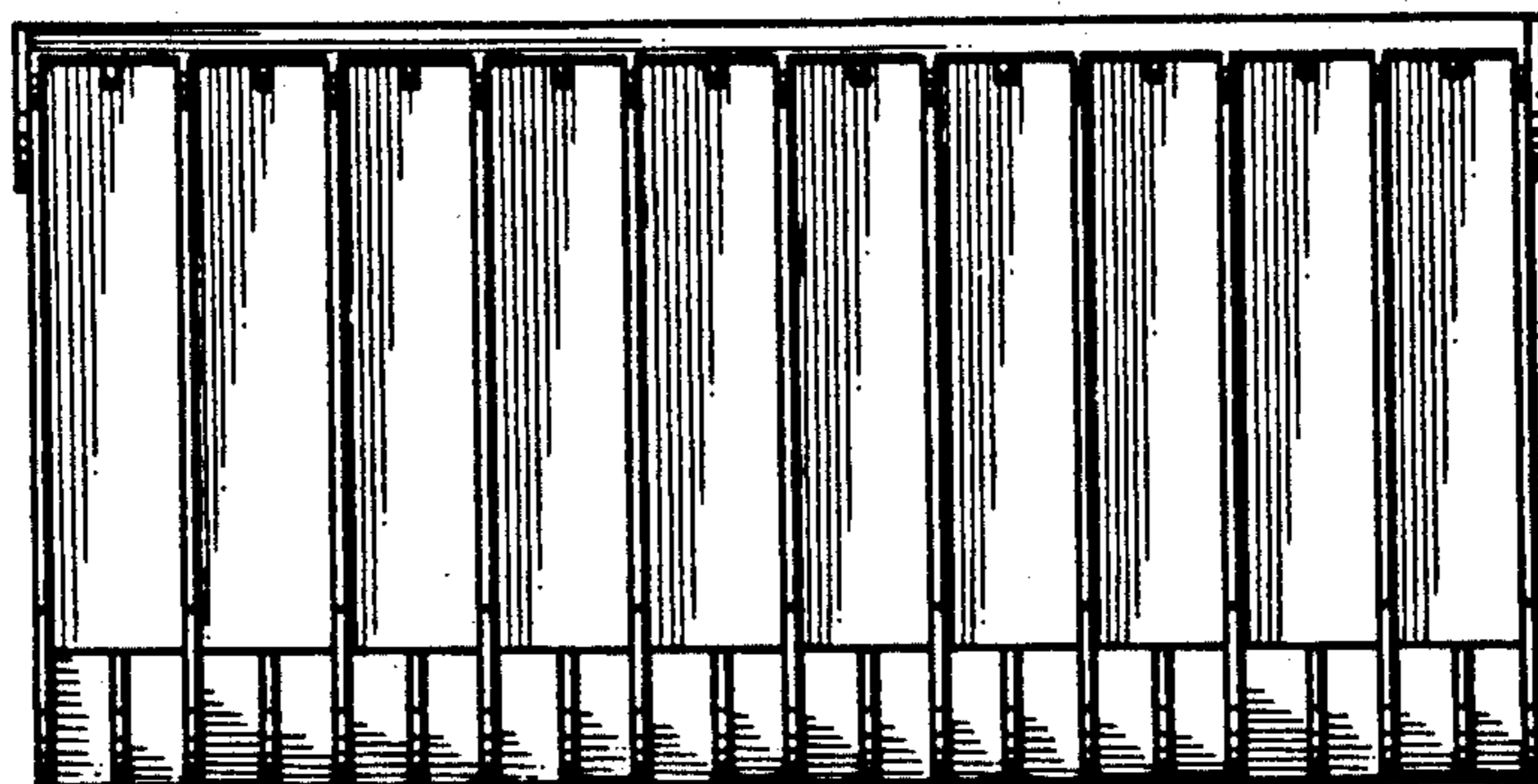


FIG. 5.

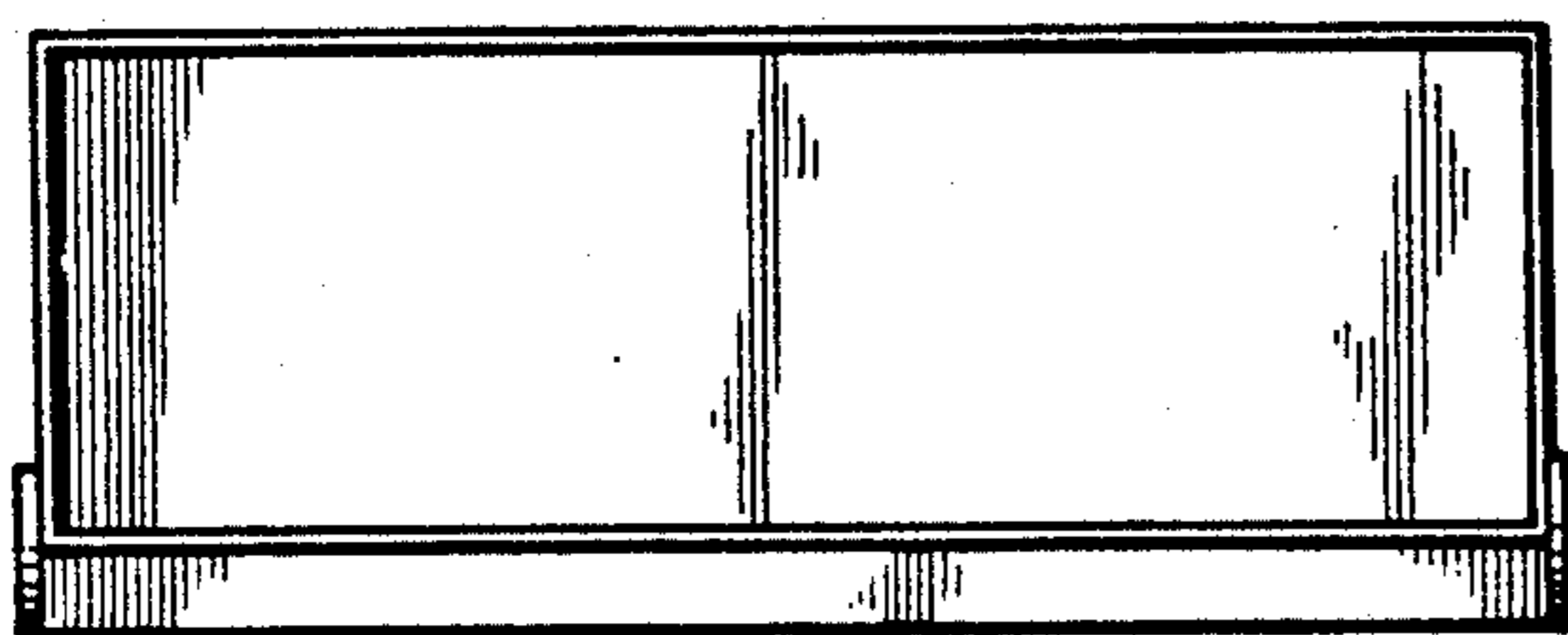


FIG. 6.

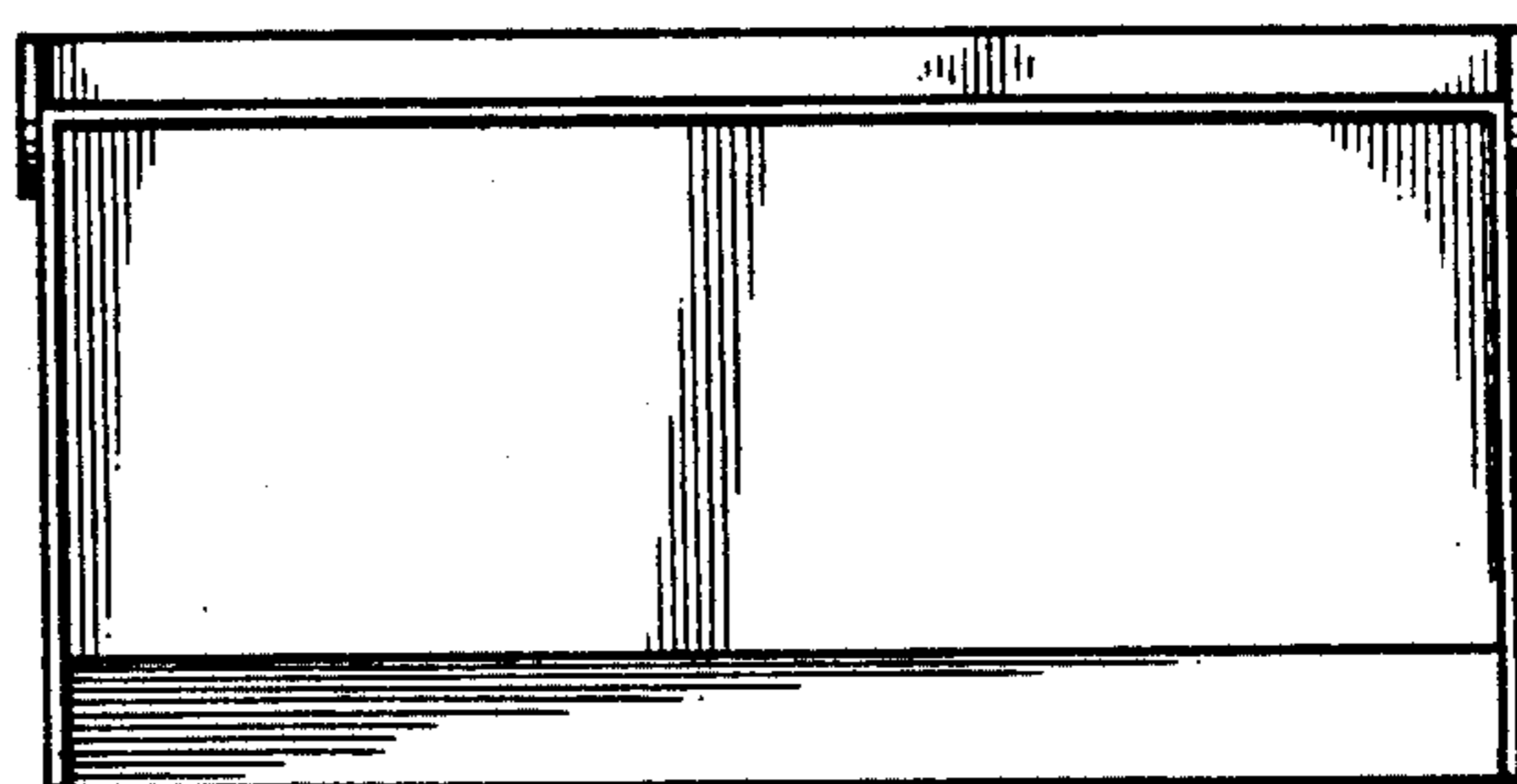


FIG. 7.

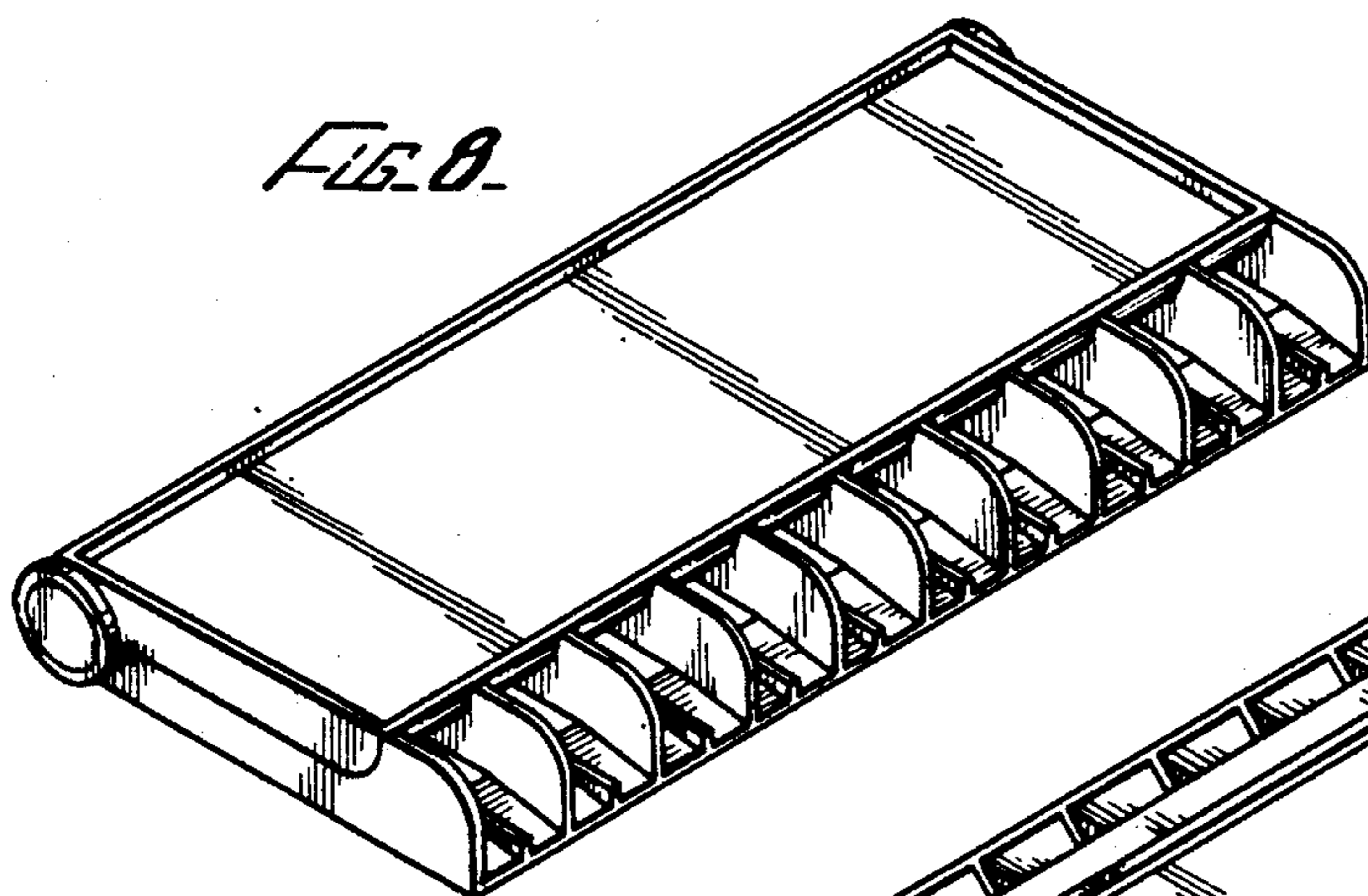


FIG. 8.

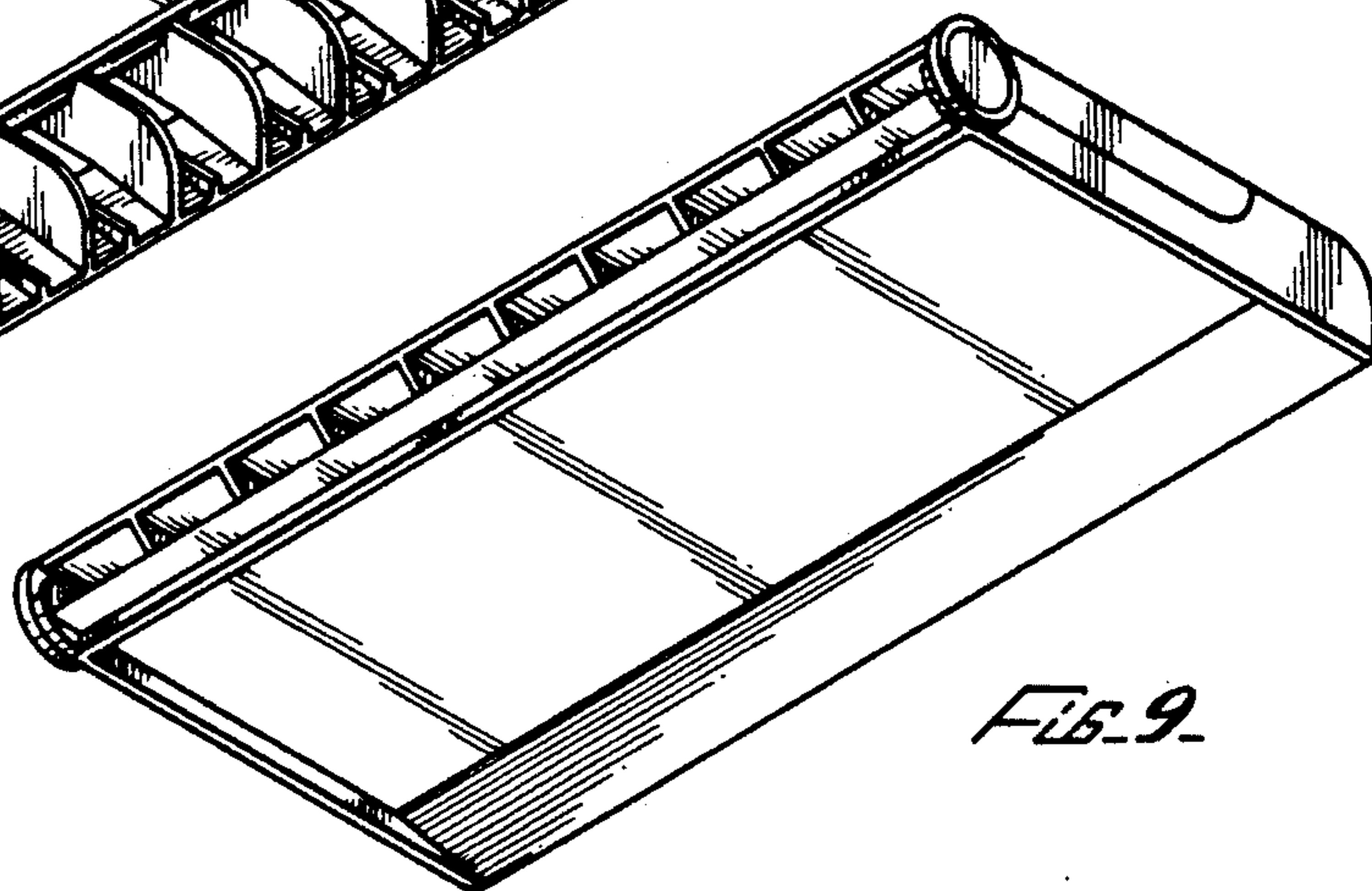


FIG. 9.