

[54] **CHAIR FRAME**

[75] **Inventor: Stephen C. Hess, Birmingham, Ala.**

[73] **Assignee: Winston Furniture Company of Alabama, Inc., Birmingham, Ala.**

[\*\*] **Term: 14 Years**

[21] **Appl. No.: 189,636**

[22] **Filed: May 3, 1988**

[52] **U.S. Cl. .... D6/379; D6/380**

[58] **Field of Search ..... D6/368, 369, 370, 371, D6/372, 373, 375, 376, 377, 378, 379, 380, 499-502**

[56] **References Cited**

**U.S. PATENT DOCUMENTS**

- D. 271,455 11/1983 Saiger ..... D6/500
- D. 286,472 11/1986 Arthur, Jr. .... D6/379
- D. 287,437 12/1986 Frinier et al. .... D6/501 X
- D. 291,391 8/1987 Arthur, Jr. .... D6/370

**OTHER PUBLICATIONS**

*Ikea*, 1987, p. 42, Chair at center right, on file in 290 library.

*Primary Examiner*—Bruce W. Dunkins  
*Assistant Examiner*—Gary D. Watson

*Attorney, Agent, or Firm*—Bell, Seltzer, Park & Gibson

[57] **CLAIM**

The ornamental design for a chair frame, as shown and described.

**DESCRIPTION**

FIG. 1 is a front perspective view of a chair frame showing my new design;  
 FIG. 2 is a rear perspective view;  
 FIG. 3 is a right side elevational view on a reduced scale;  
 FIG. 4 is a rear elevational view on a scale similar to FIG. 3;  
 FIG. 5 is a front perspective view of a chair frame showing a second embodiment of my design;  
 FIG. 6 is a rear perspective view;  
 FIG. 7 is a right side elevational view on a reduced scale;  
 FIG. 8 is a rear elevational view on a scale similar to FIG. 7;  
 FIG. 9 is a front perspective view of a chair frame showing a third embodiment of my design;  
 FIG. 10 is a rear perspective view;  
 FIG. 11 is a right side elevational view on a reduced scale; and  
 FIG. 12 is a rear elevational view thereof on a scale similar to FIG. 11.

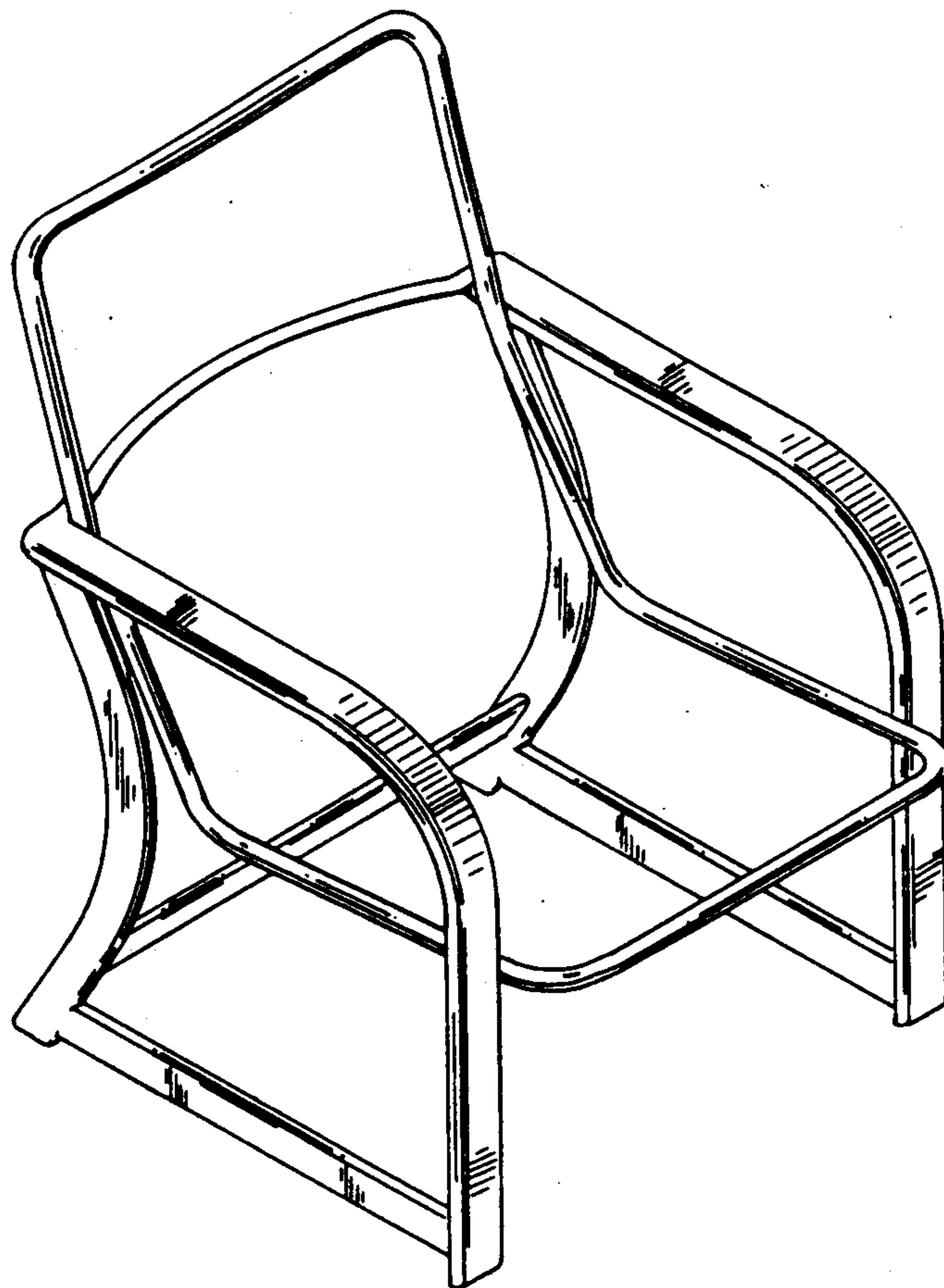


FIG-2

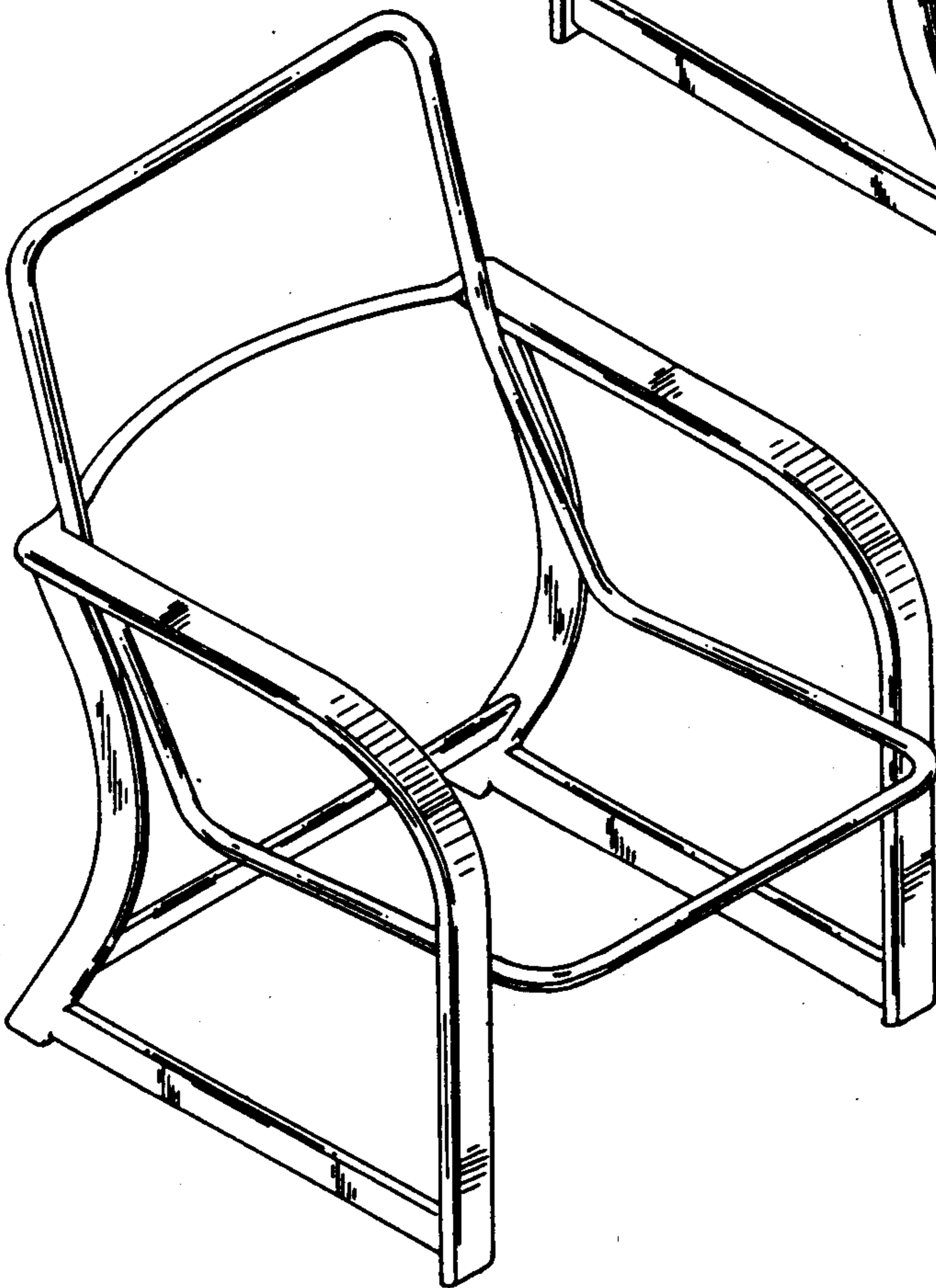
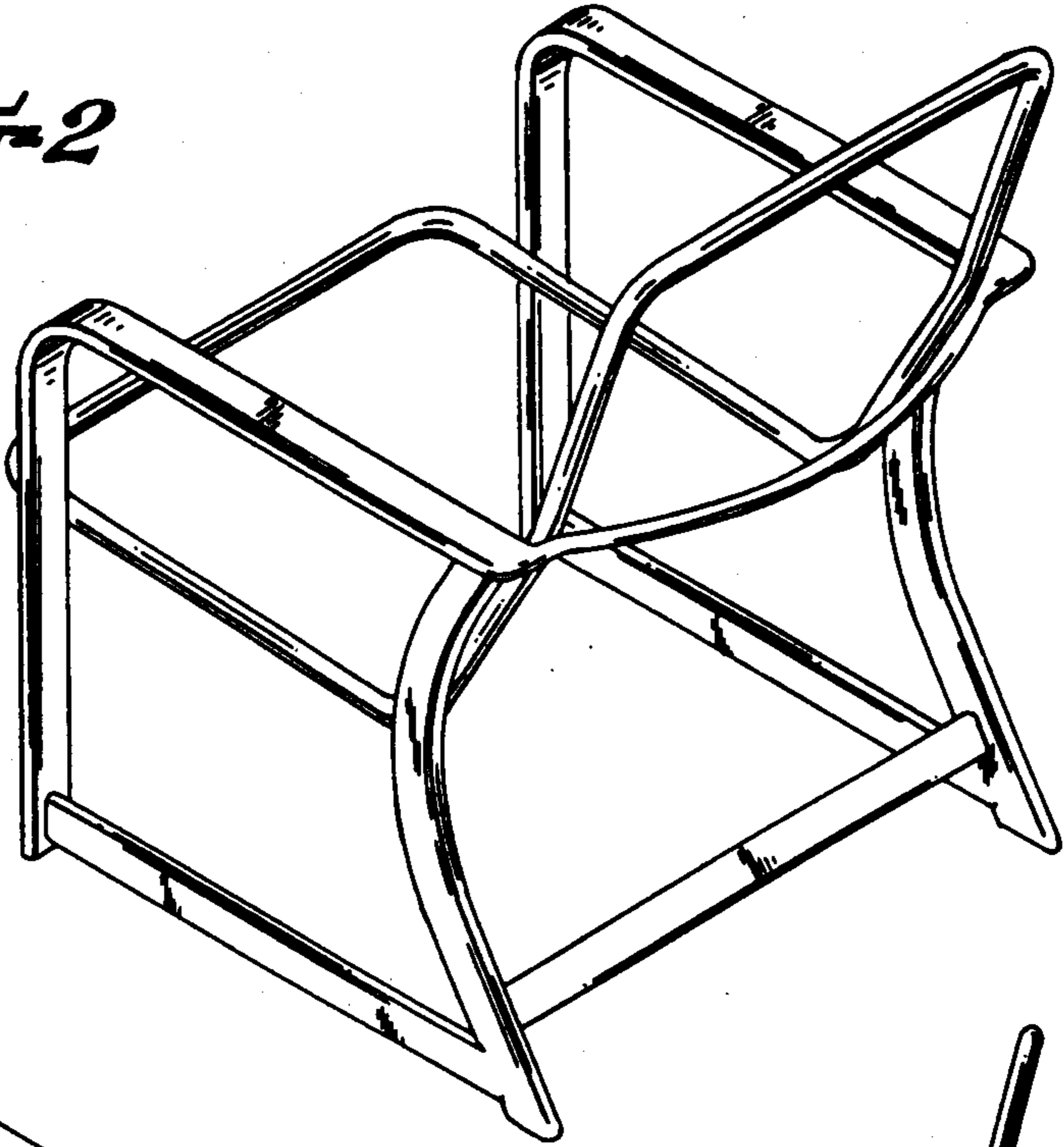


FIG-1

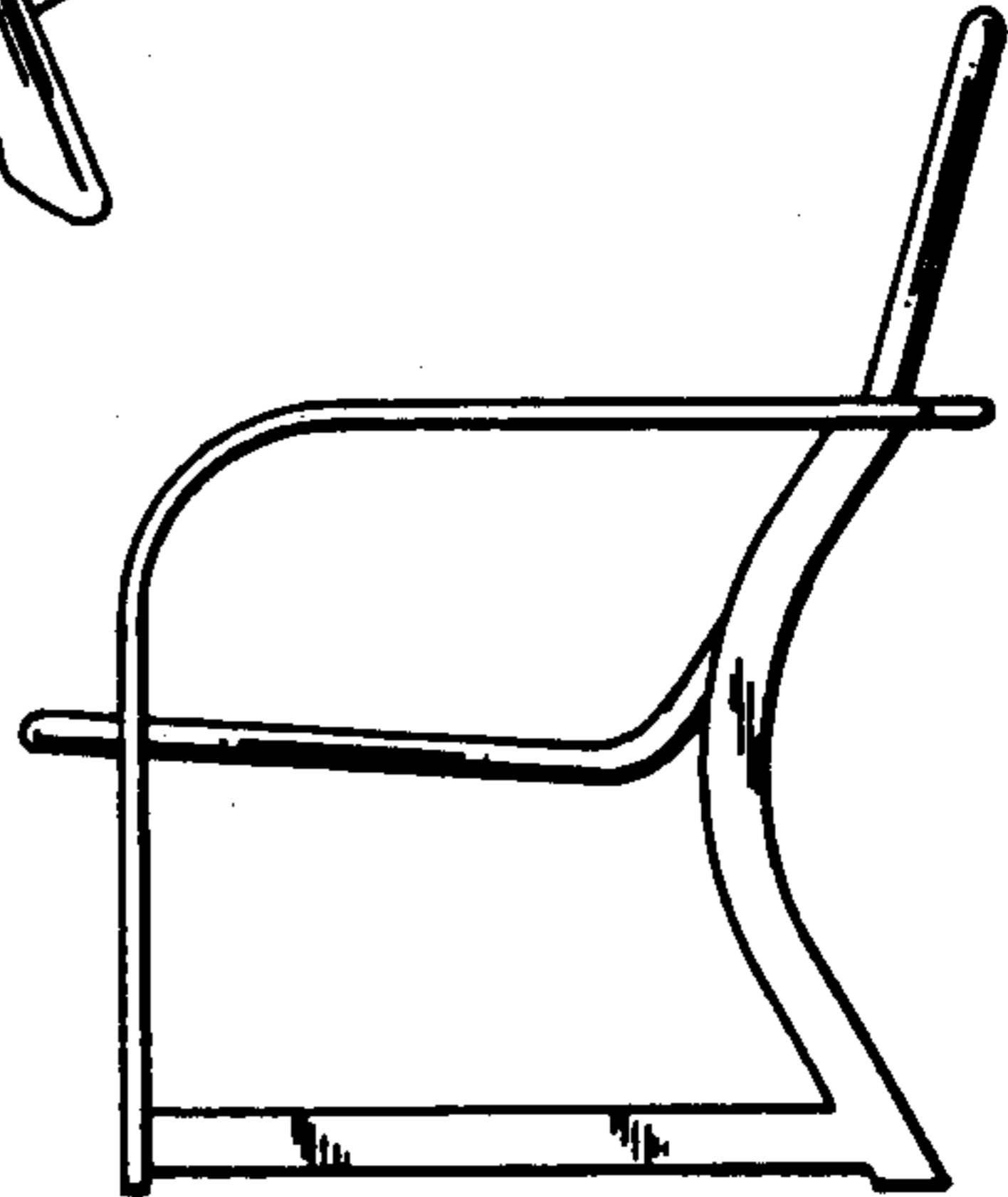


FIG-3

FIG-4

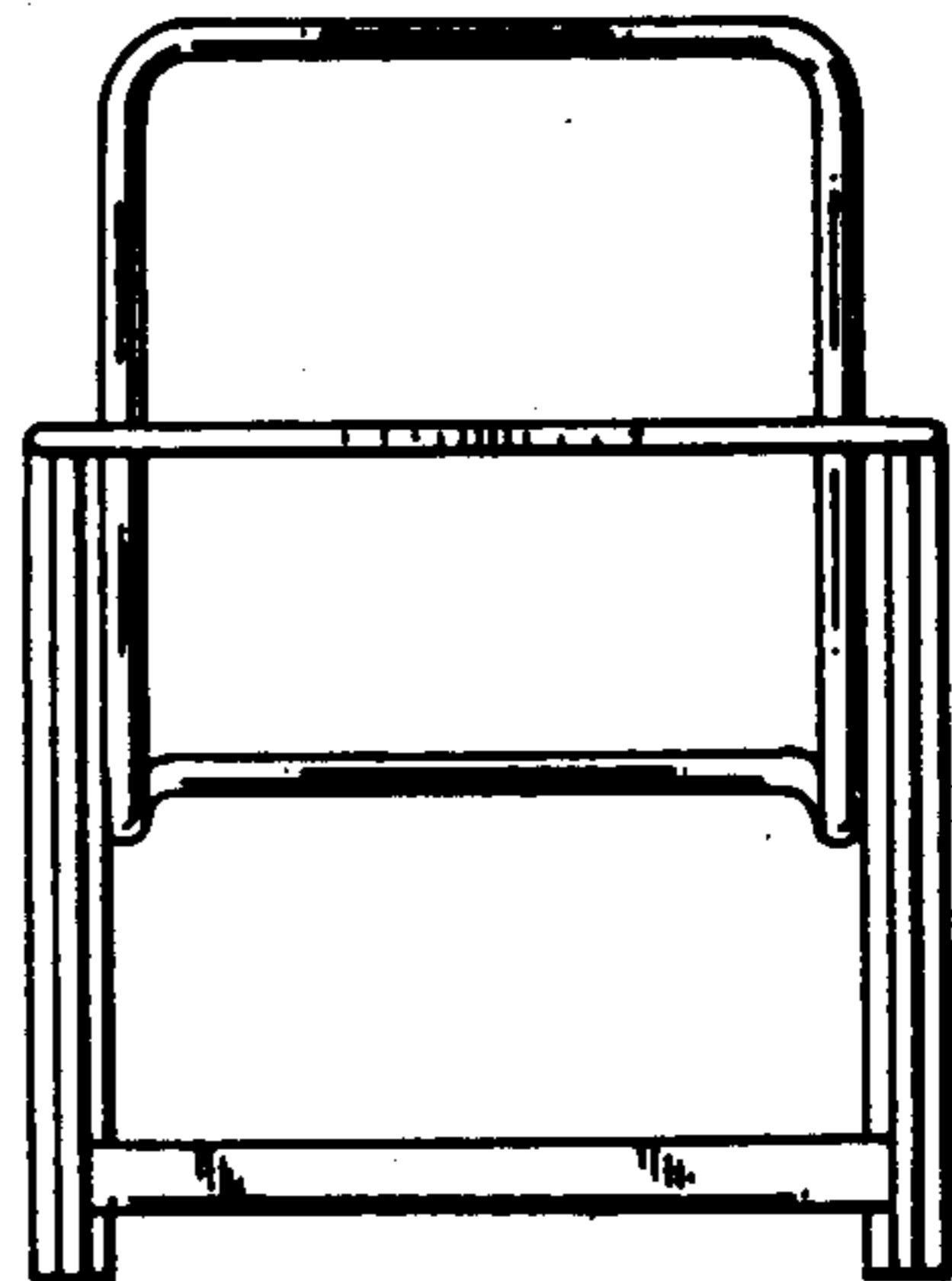


FIG-6

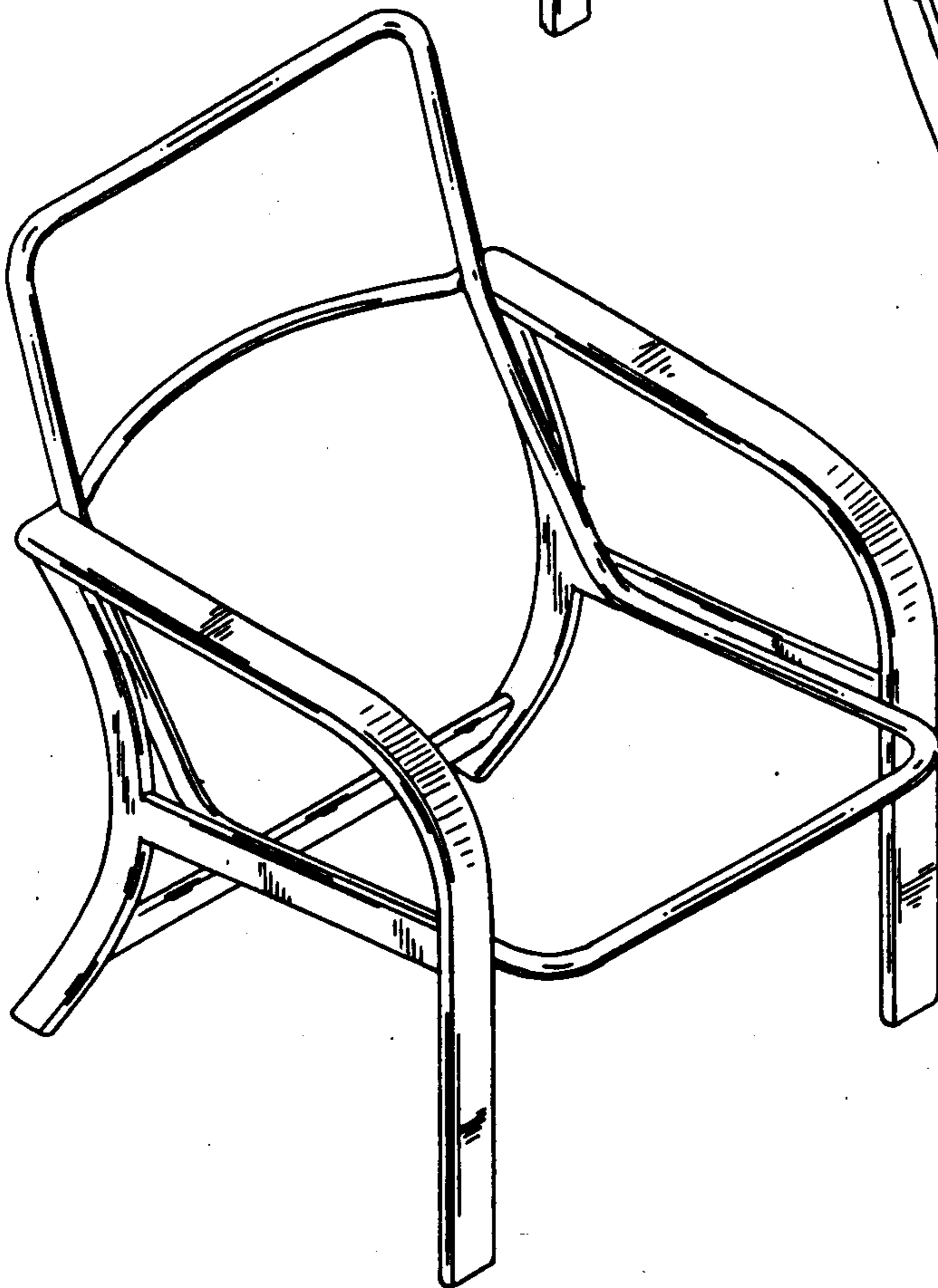
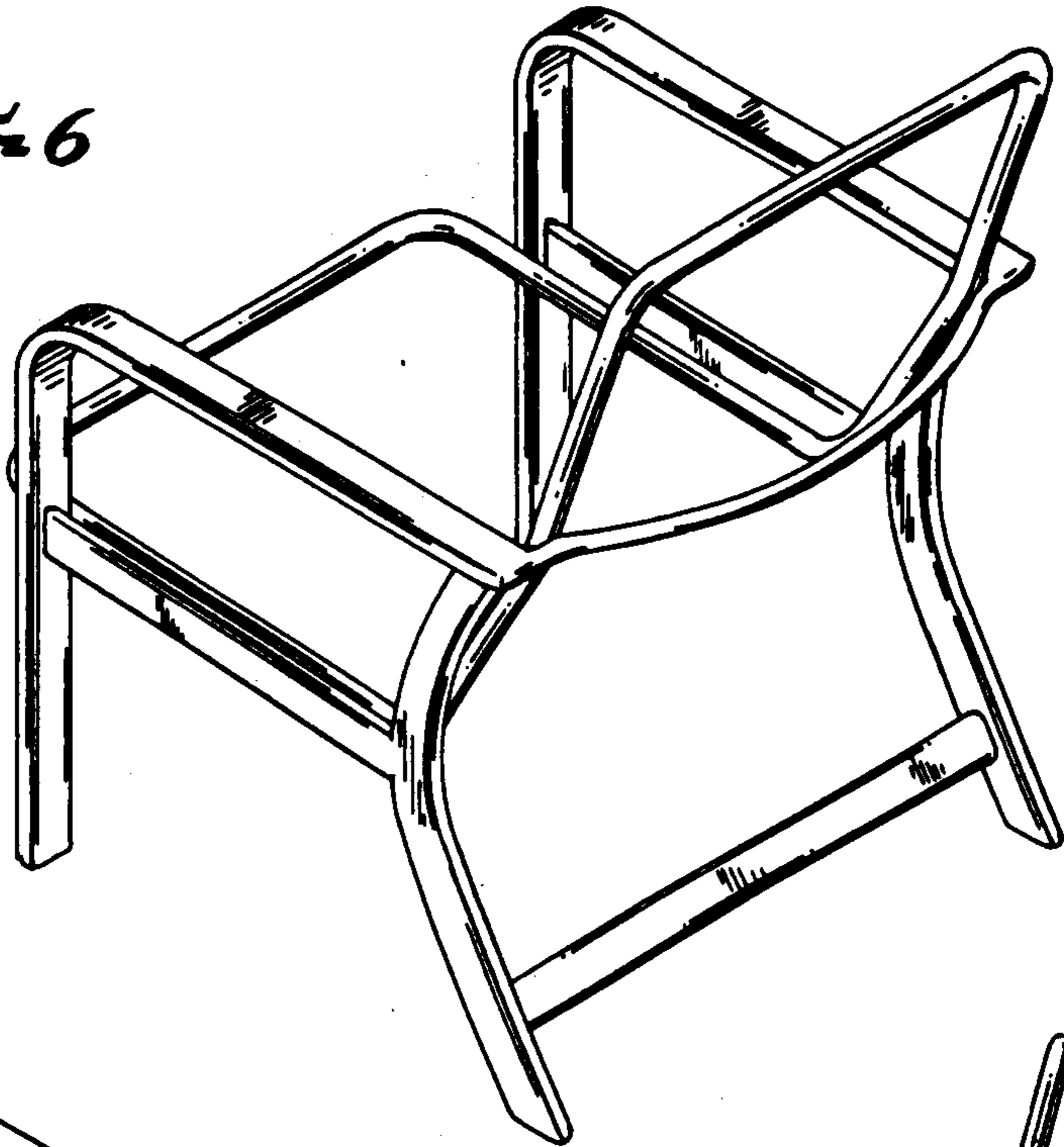


FIG-5

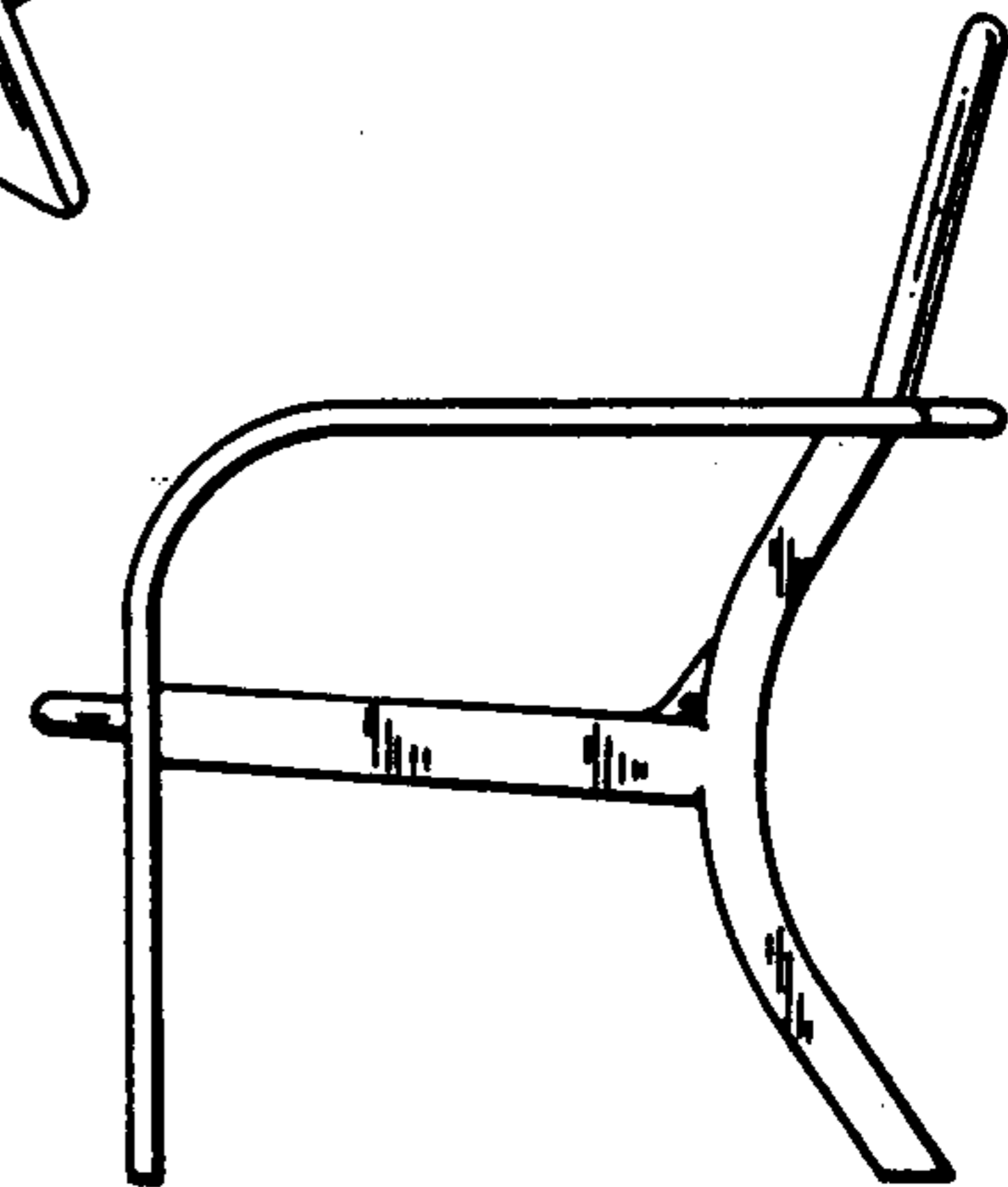


FIG-7

FIG-8

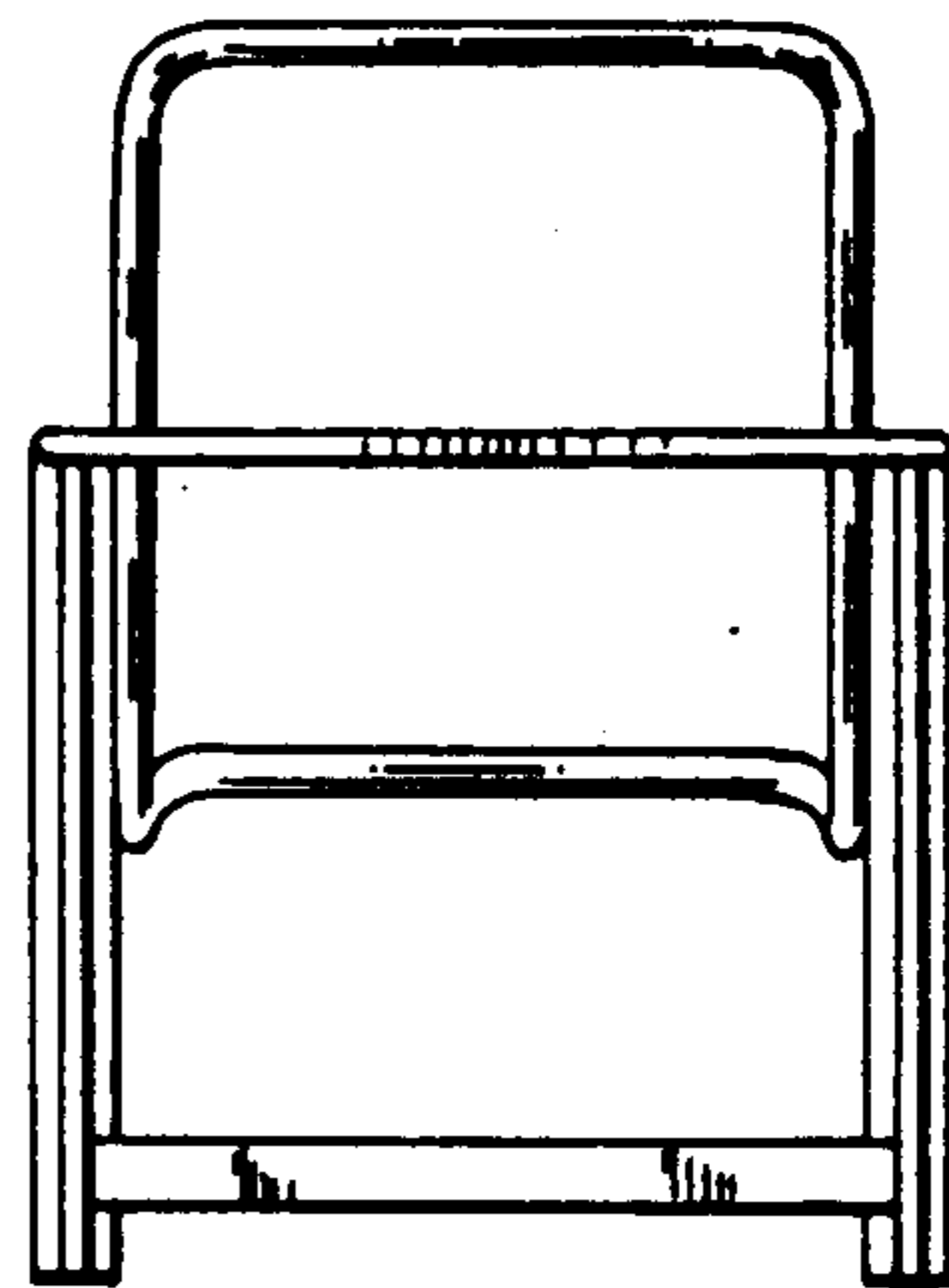


FIG-10

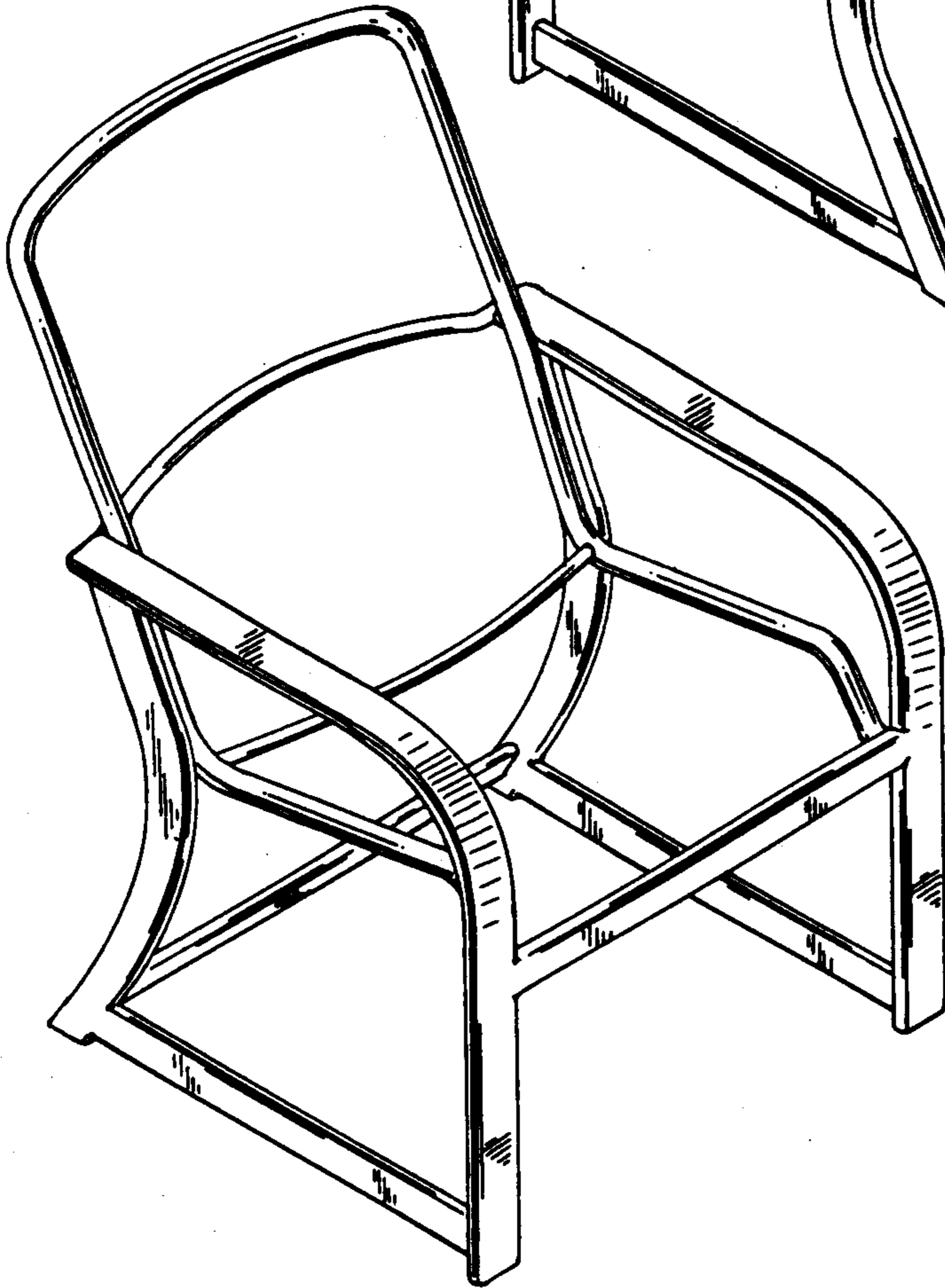
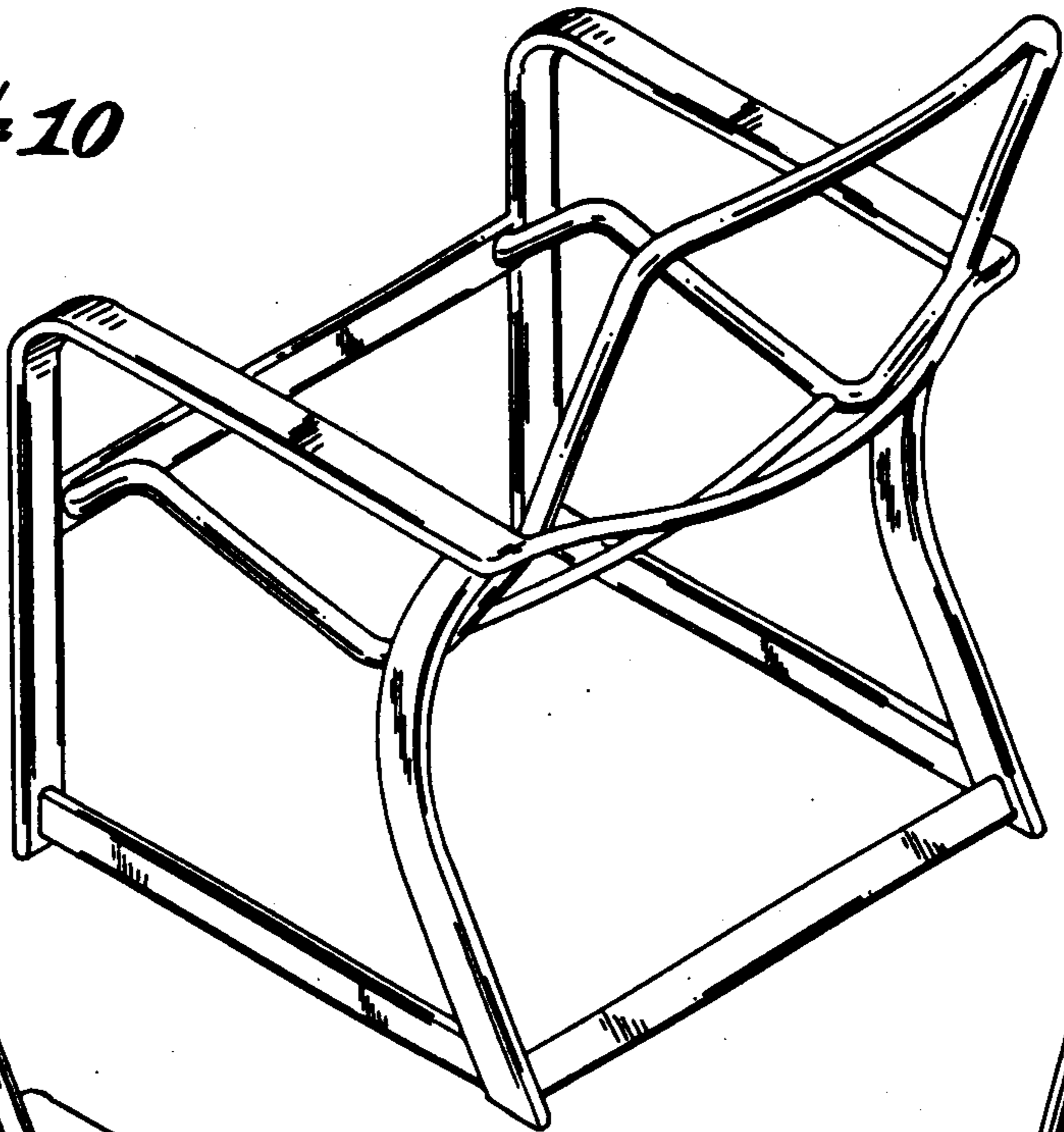


FIG-9

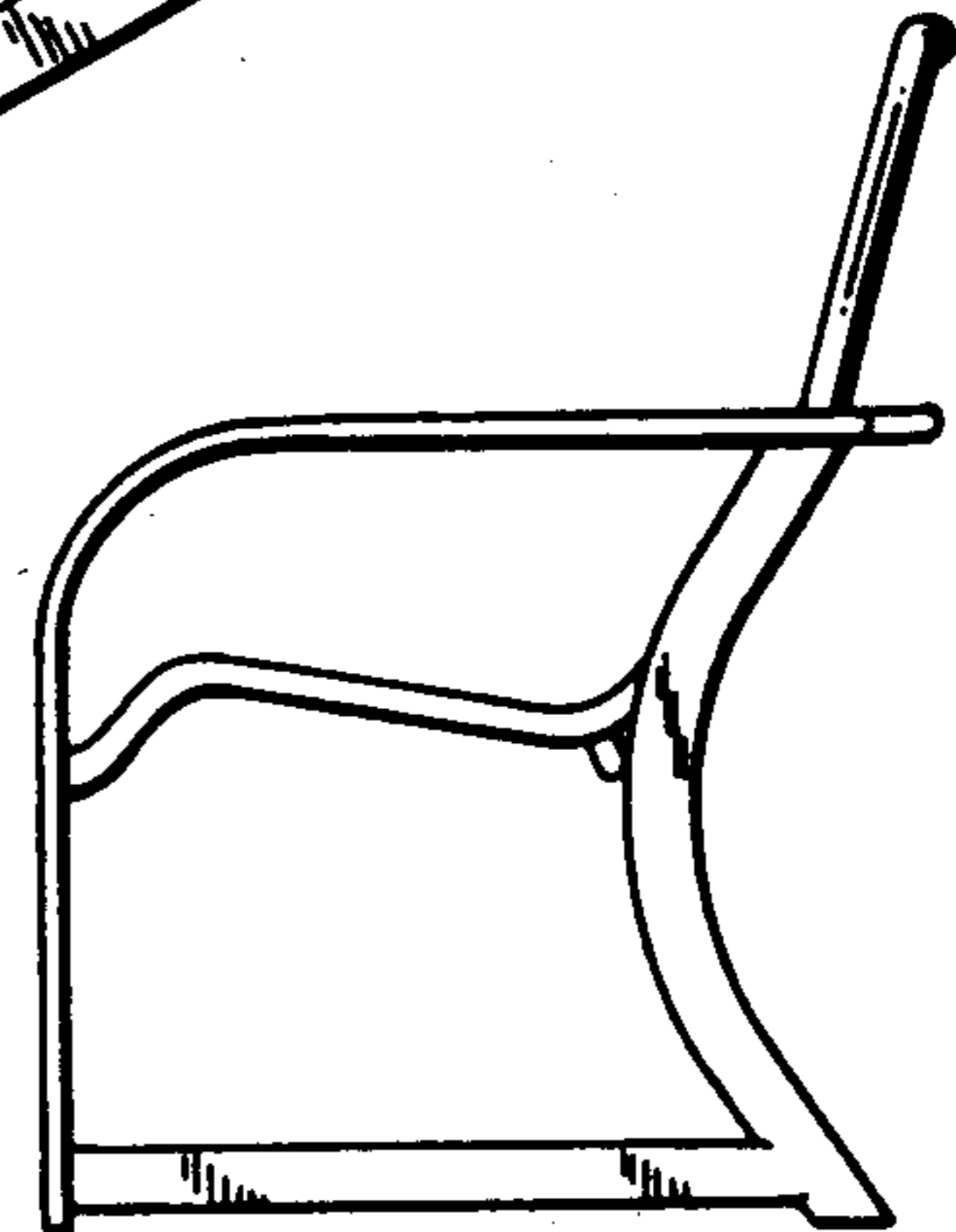


FIG-11

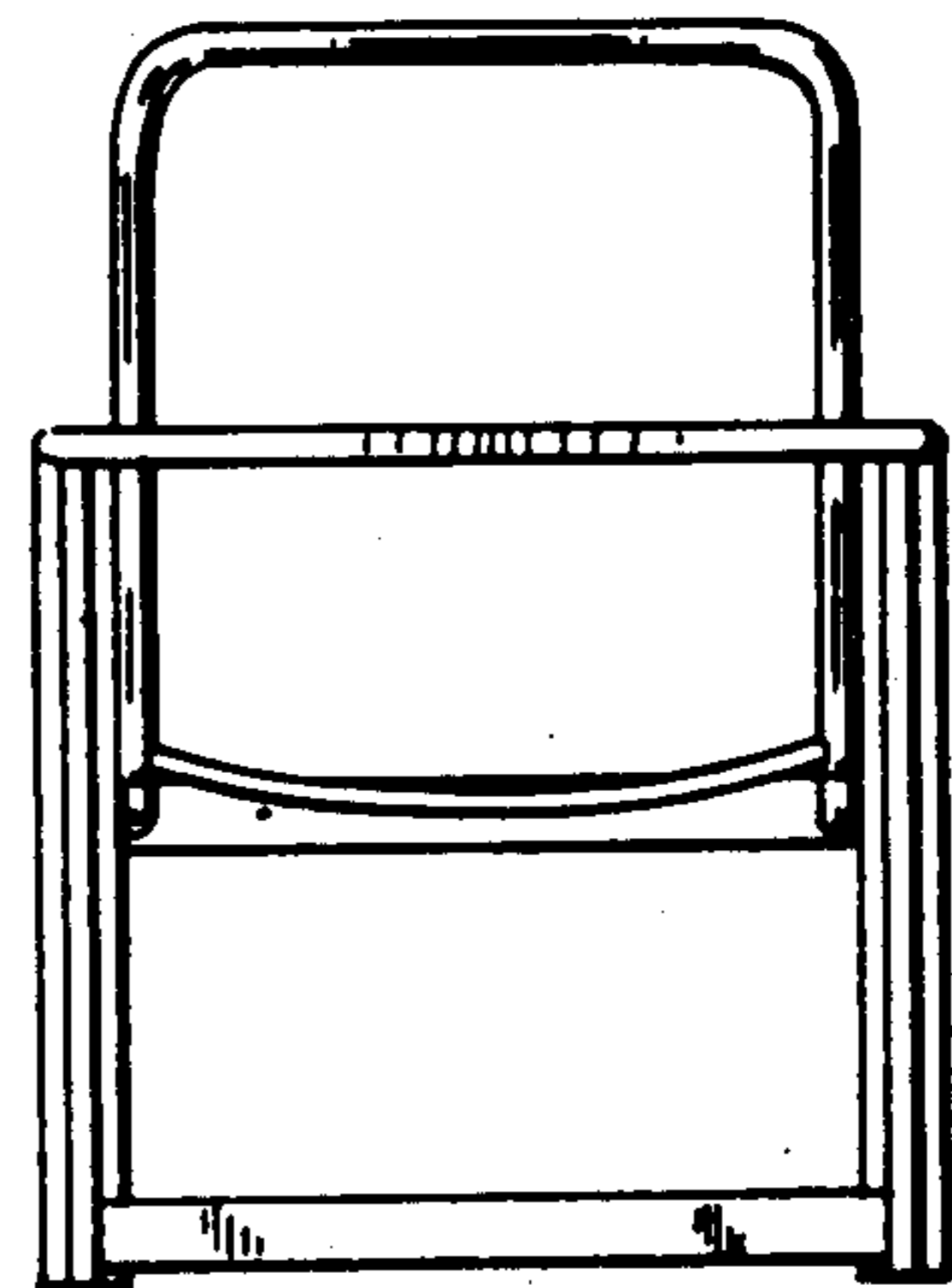


FIG-12