

[54] **CHAIR**

[75] **Inventors: Donald A. George, Carleton; Steven R. Pulskamp, Monroe, both of Mich.**

[73] **Assignee: La-Z-Boy Chair Company, Monroe, Mich.**

[**] **Term: 14 Years**

[21] **Appl. No.: 72,002**

[22] **Filed: Jul. 10, 1987**

[52] **U.S. Cl. D6/366**

[58] **Field of Search D6/366, 379**

[56] **References Cited**

U.S. PATENT DOCUMENTS

D. 273,918 5/1984 Keeler D6/366

OTHER PUBLICATIONS

Interiors, Oct. 1982, p. 21, chair, bottom left corner.
Facilities Design and Management, Apr. 1986, pp. 79-87, chair-Haskell, left center, cited by applicant.

Primary Examiner—Bruce W. Dunkins
Assistant Examiner—Gary D. Watson
Attorney, Agent, or Firm—Harness, Dickey & Pierce

[57] **CLAIM**

The ornamental design for a chair, as shown and described.

DESCRIPTION

FIG. 1 is a front perspective view of a chair showing our new design;
FIG. 2 is a front elevational view;
FIG. 3 is a top plan view;
FIG. 4 is a rear elevational view;
FIG. 5 is a side elevational view, the opposite side being a mirror image thereof;
FIG. 6 is a front perspective view of a chair showing a second embodiment of our design;
FIG. 7 is a front elevational view;
FIG. 8 is a top plan view;
FIG. 9 is a rear elevational view; and
FIG. 10 is a side elevational view, the opposite side being a mirror image thereof.





FIG 1



FIG 1a

FIG 3

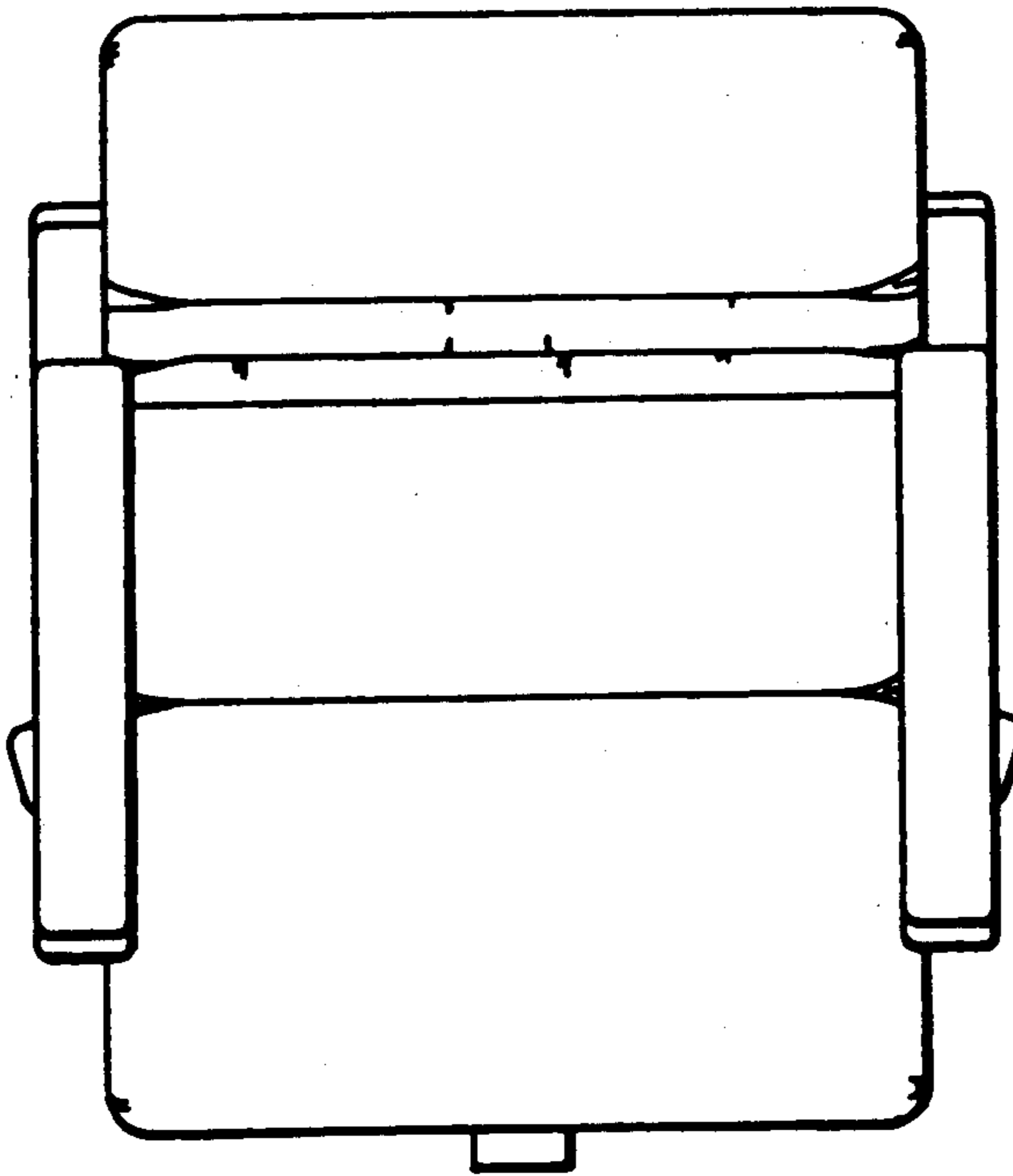
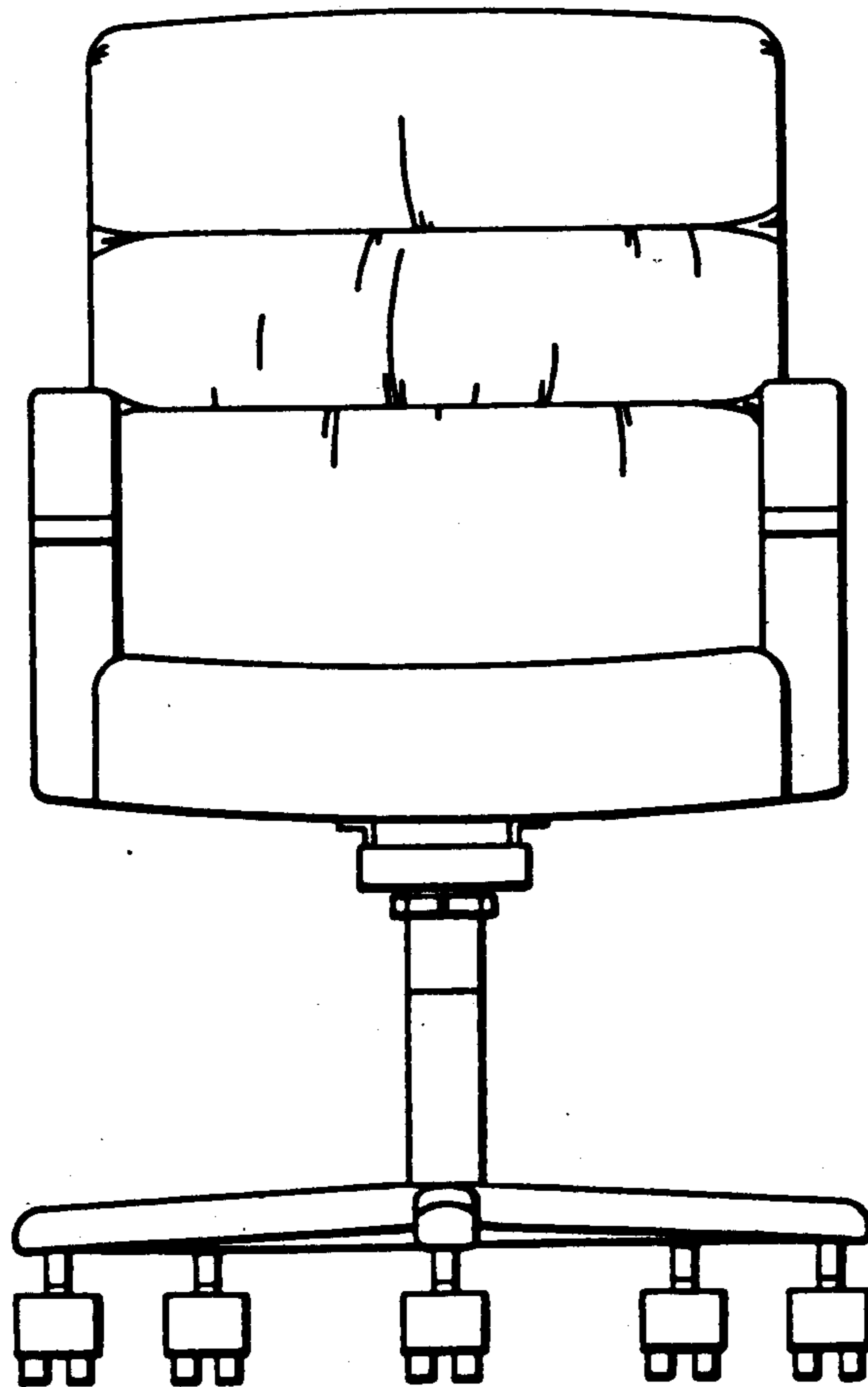


FIG 2



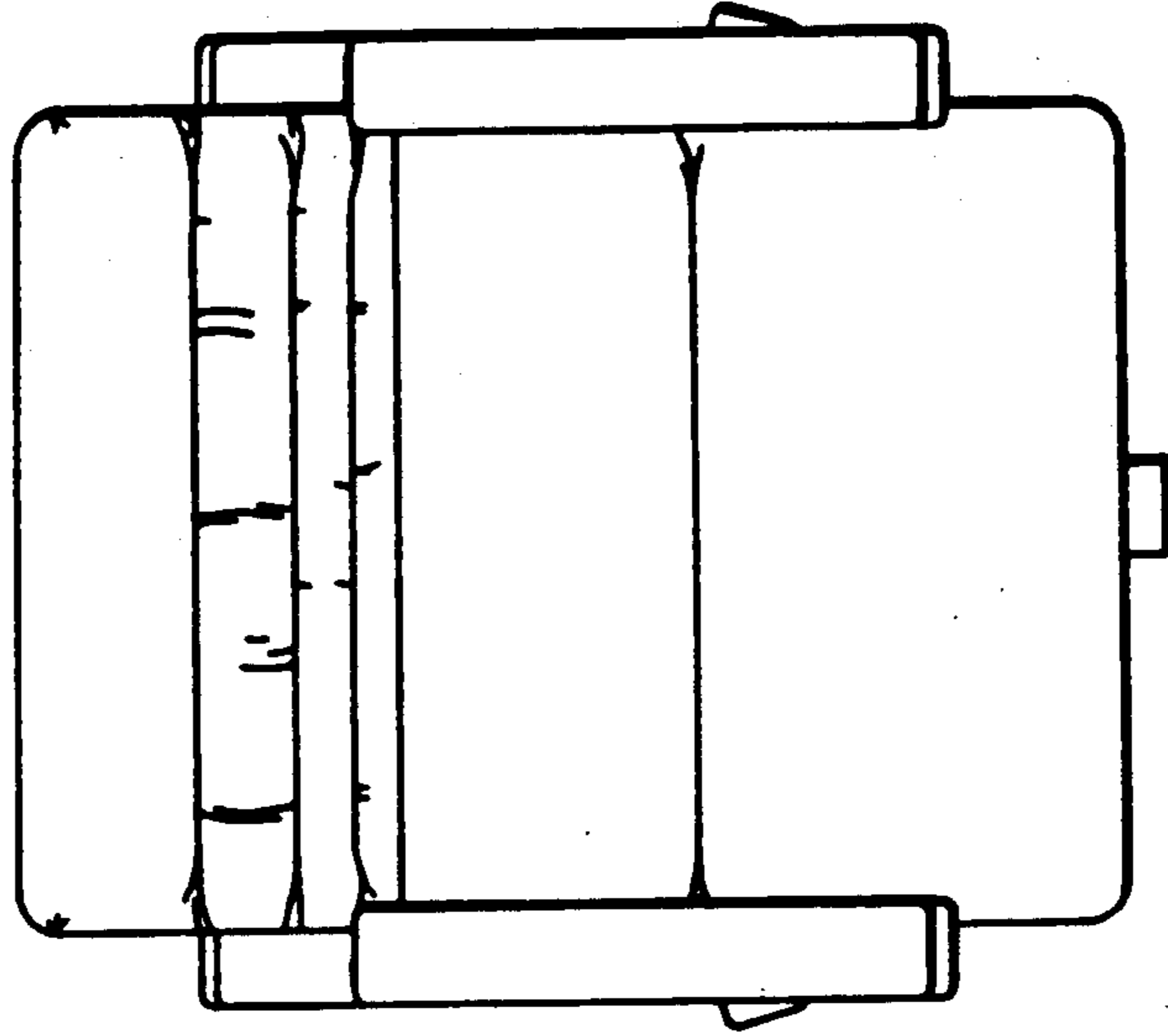


FIG 3a

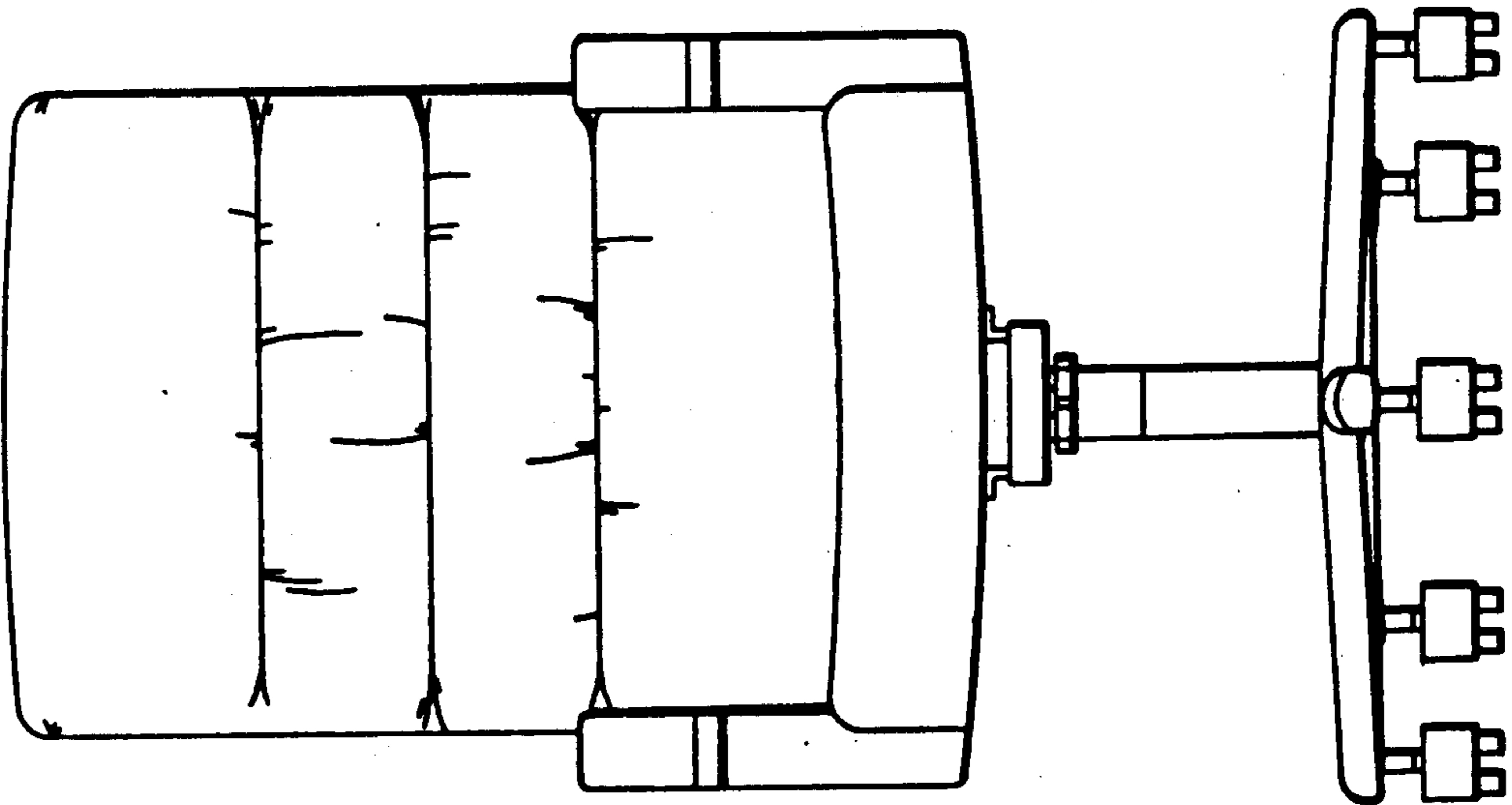


FIG 2a

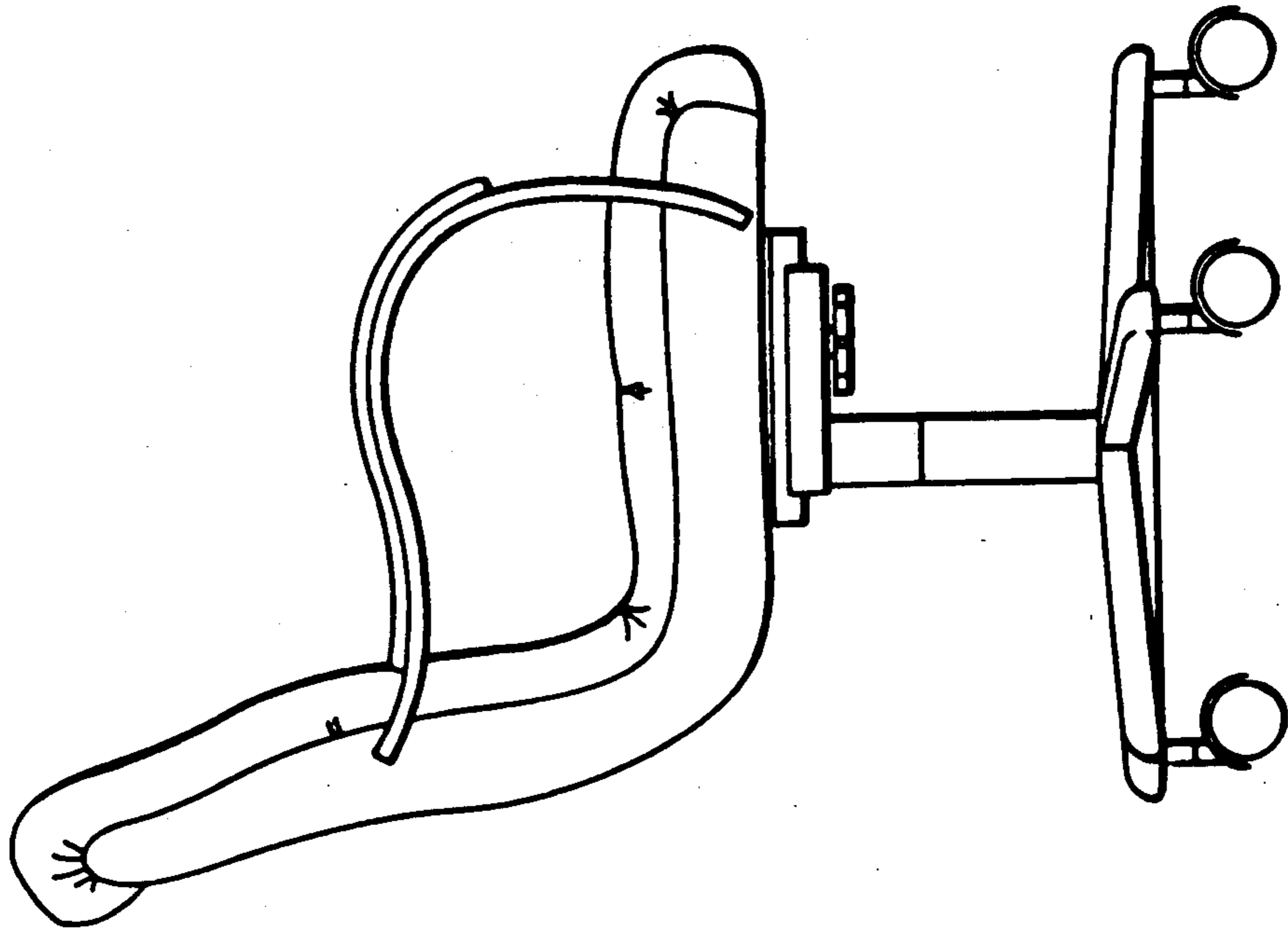


FIG 5

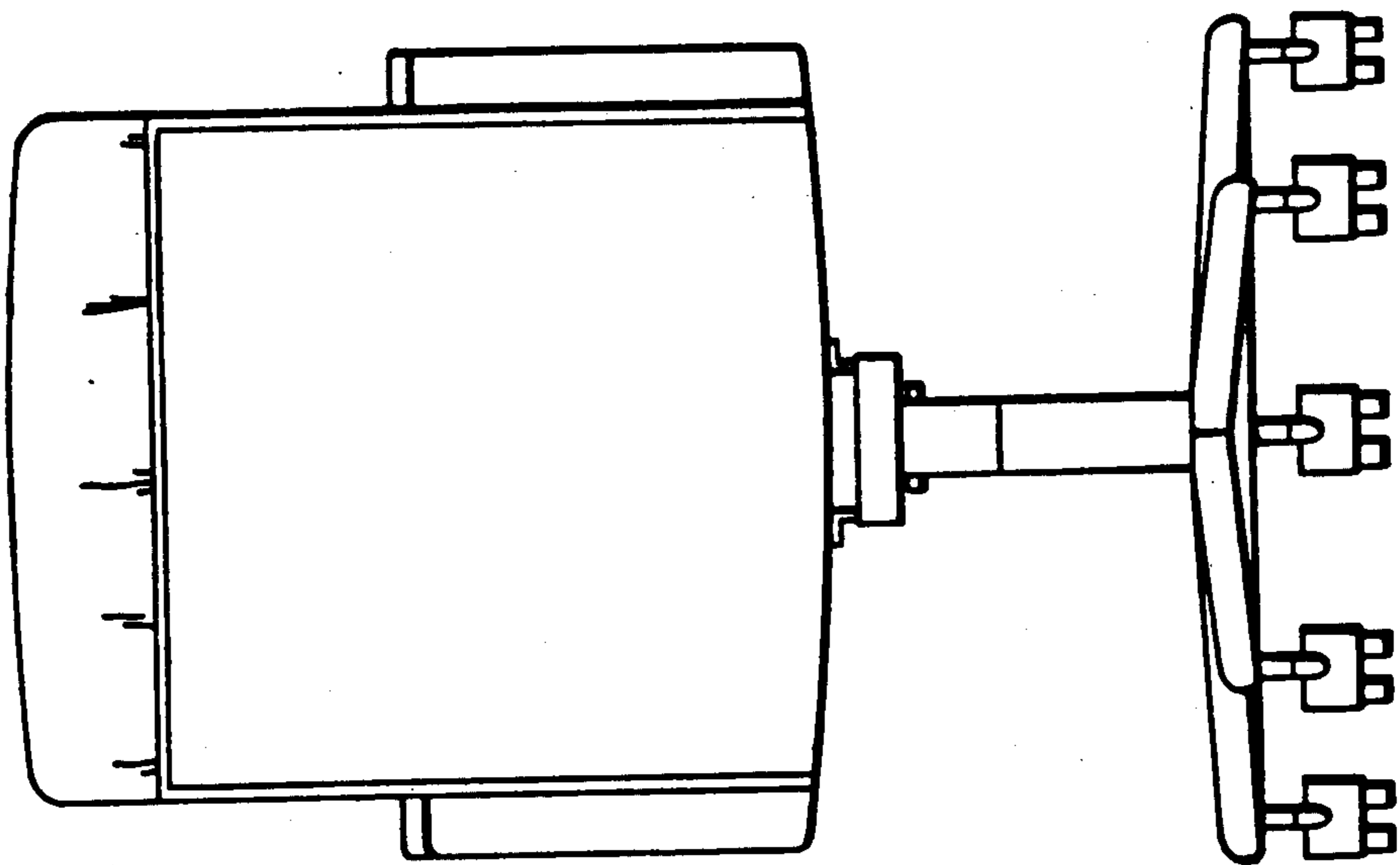


FIG 4

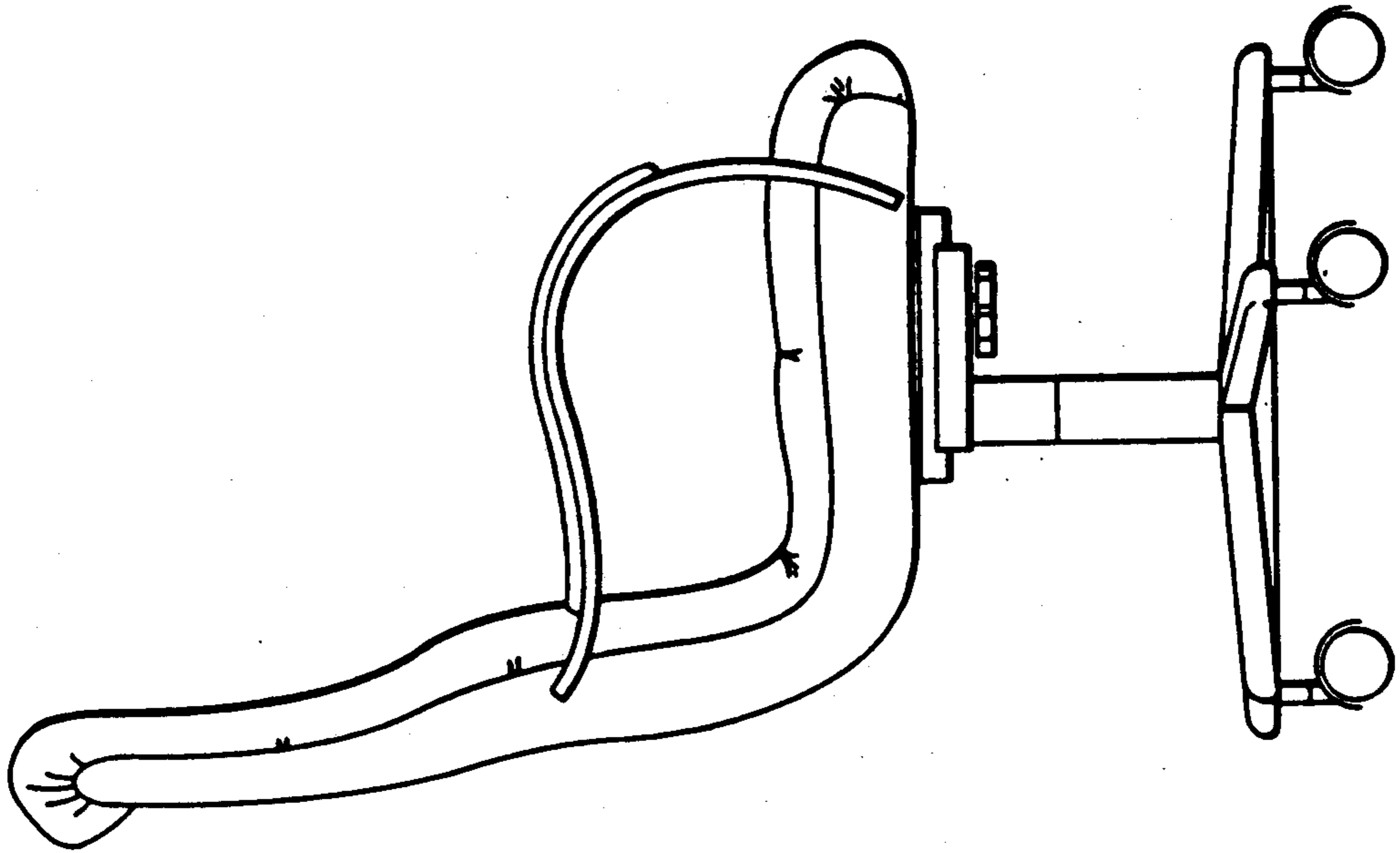


FIG 5a

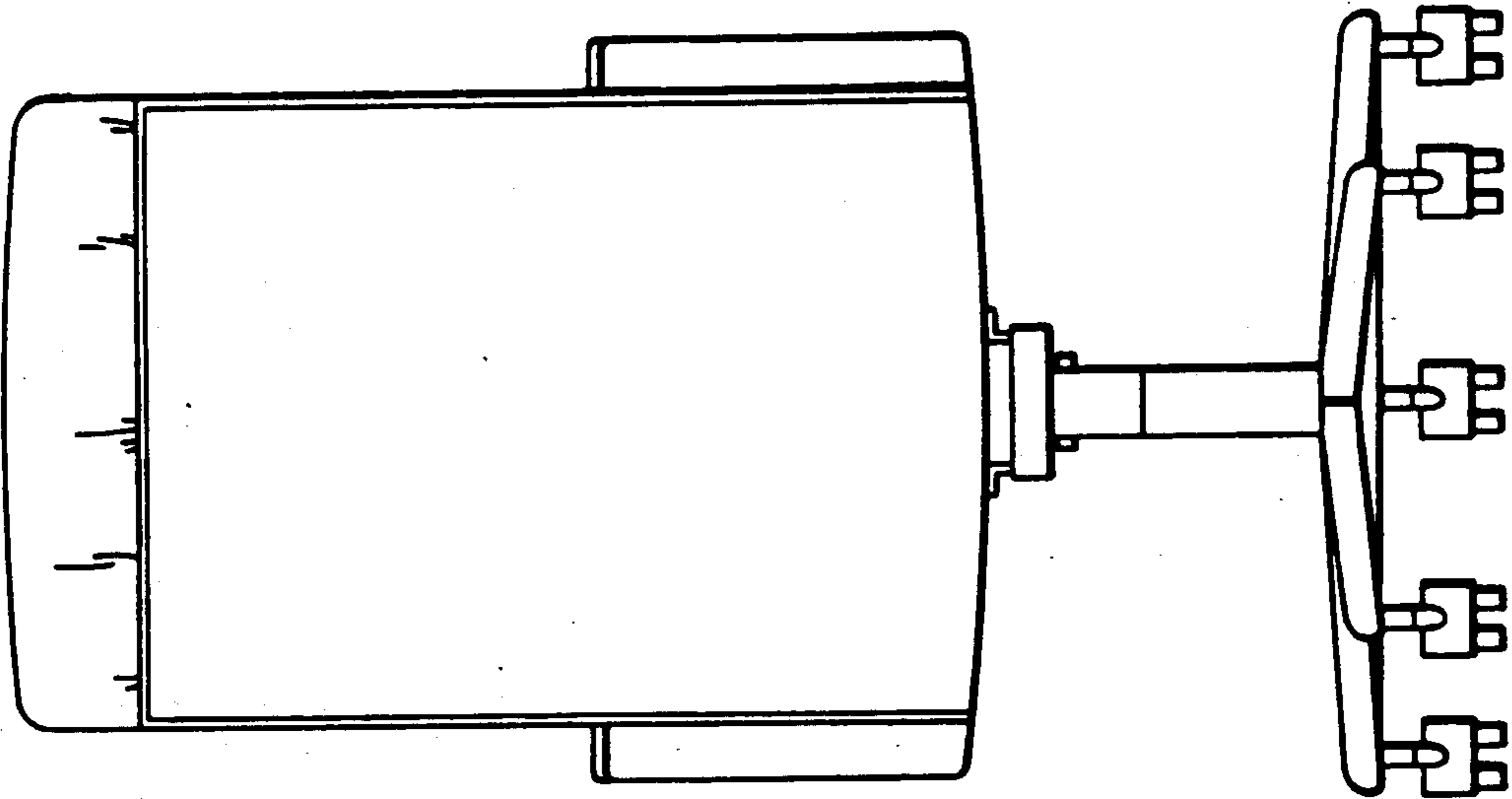


FIG 4a