

[54] ADJUSTABLE NEEDLEWORK SUPPORT

[76] Inventor: Gaylon E. Schulle, 52 Sundown Pkwy., Austin, Tex. 78746

[**] Term: 14 Years

[21] Appl. No.: 161,619

[22] Filed: Feb. 29, 1988

[52] U.S. Cl. D3/26; D3/18; D3/20

[58] Field of Search D3/26, 18, 20, 2 R; D15/76, 78, 66; D8/358; 206/278; 242/139; 38/102, 102.2, 102.4, 102.5, 102.6, 102.7, 102.8; 108/43; 248/444, 166, 187; 289/16.5; 223/120; 269/71, 77

[56] References Cited

U.S. PATENT DOCUMENTS

D. 276,162	10/1984	Rancourt	D3/26 X
1,074,430	9/1913	Hill	.	
2,449,492	9/1948	Long	45/80
2,555,896	6/1951	Morse	45/24
2,691,239	10/1954	McCollum	45/80
3,098,280	7/1963	Harris et al.	28/15
3,228,627	1/1966	Bass	242/139
3,774,326	11/1973	Selden	38/102.4
3,869,817	3/1975	Bowman	38/102.2

3,899,164	8/1975	Newman	D15/78 X
4,292,748	10/1981	Miller	38/102
4,378,646	4/1983	Mazeika	38/102

Primary Examiner—Louis S. Zarfaz
Assistant Examiner—M. N. Pandozzi
Attorney, Agent, or Firm—Walter C. Farley

[57] CLAIM

The ornamental design for an adjustable needlework support, as shown and described.

DESCRIPTION

FIG. 1 is a perspective view of an adjustable needlework support showing my new design; FIG. 2 is a front elevation thereof with the support frame in a partially elevated position; FIG. 3 is a rear elevation thereof in the same position as in FIG. 2; FIG. 4 is a side elevation thereof in the same position as in FIGS. 2 and 3; FIG. 5 is a top plan view thereof in the same position as in FIGS. 2-4; FIG. 6 is a bottom plan view thereof; FIG. 7 is a top plan view thereof with the support frame collapsed against the base; and FIG. 8 is a side elevation thereof in the same position as in FIG. 7.

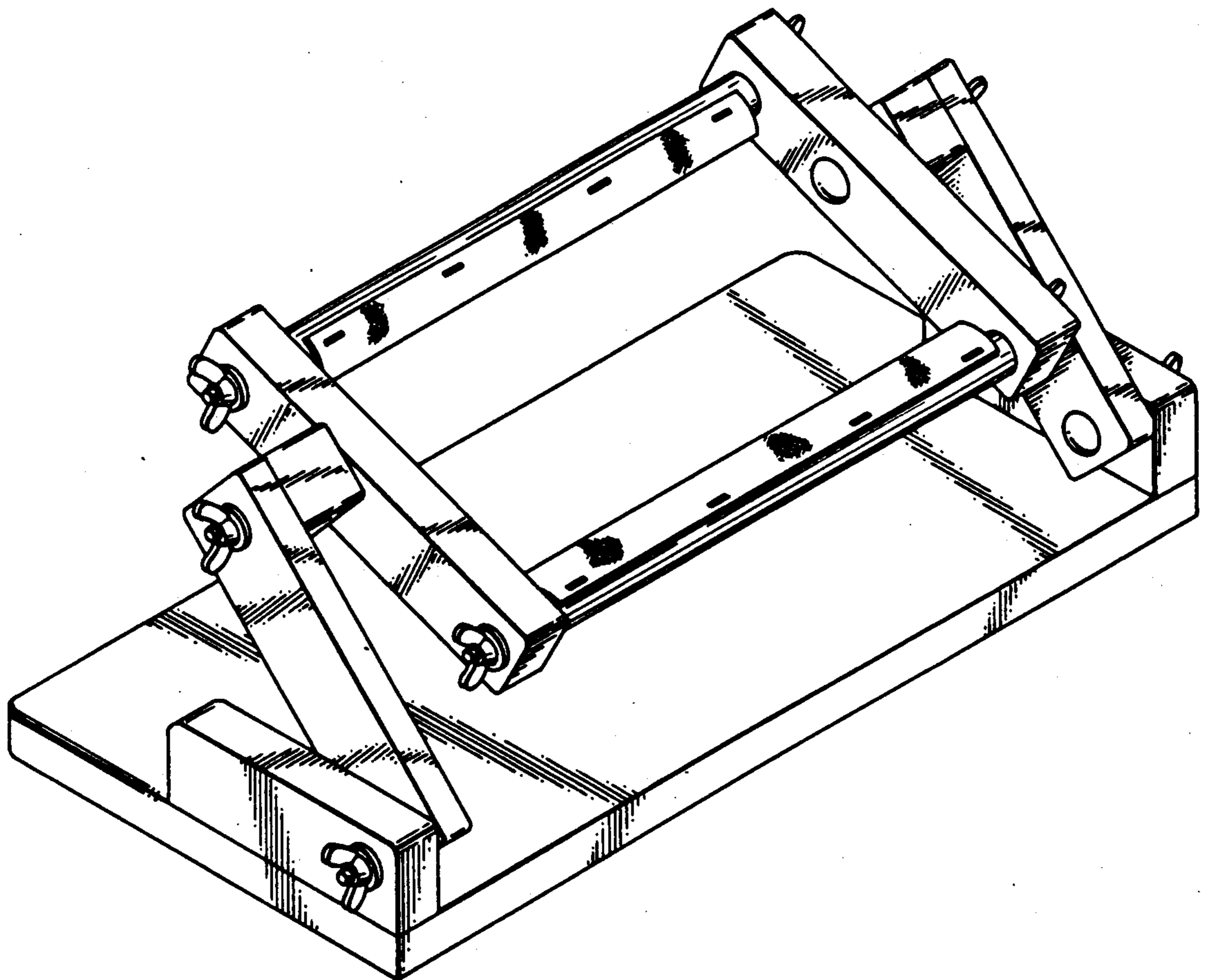


FIG. 1

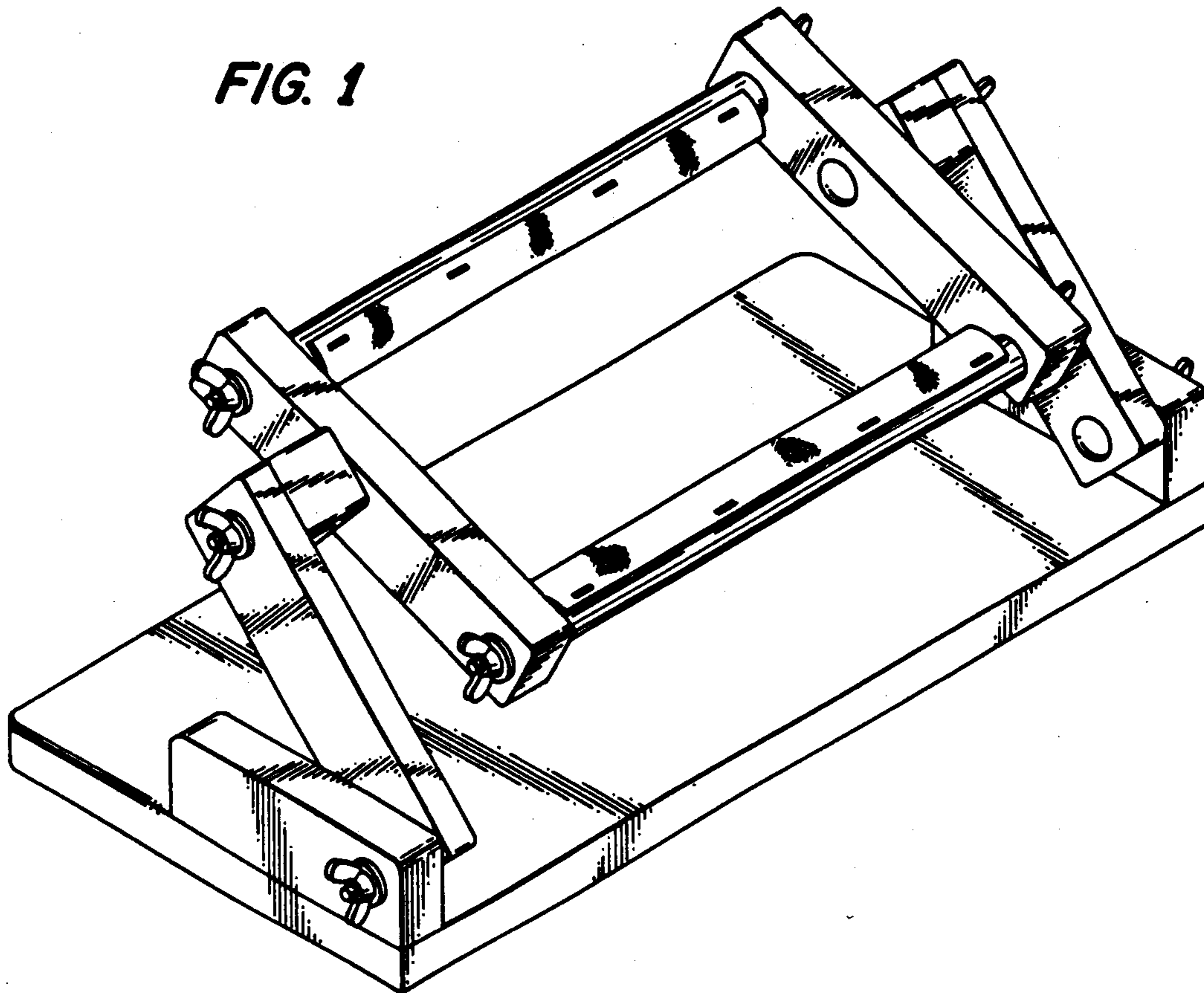


FIG. 2

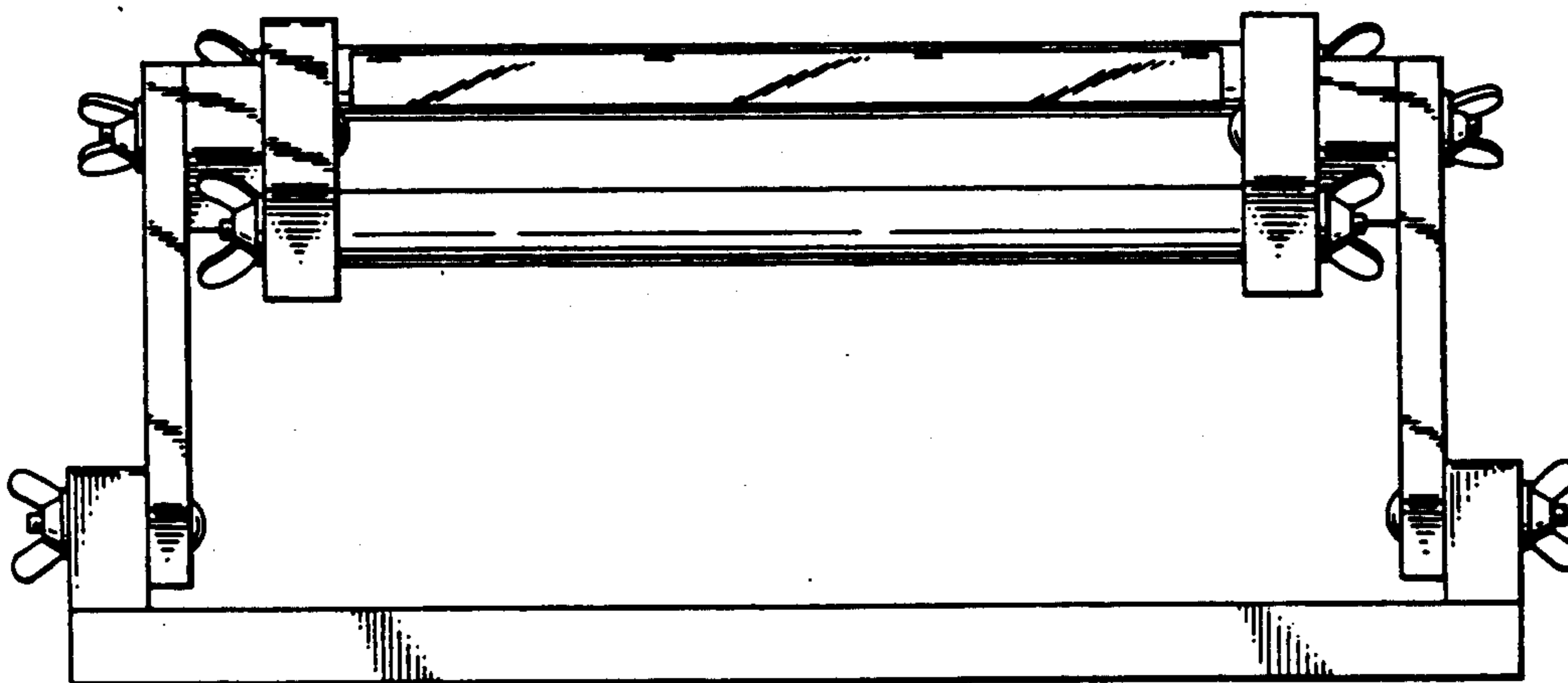


FIG. 3

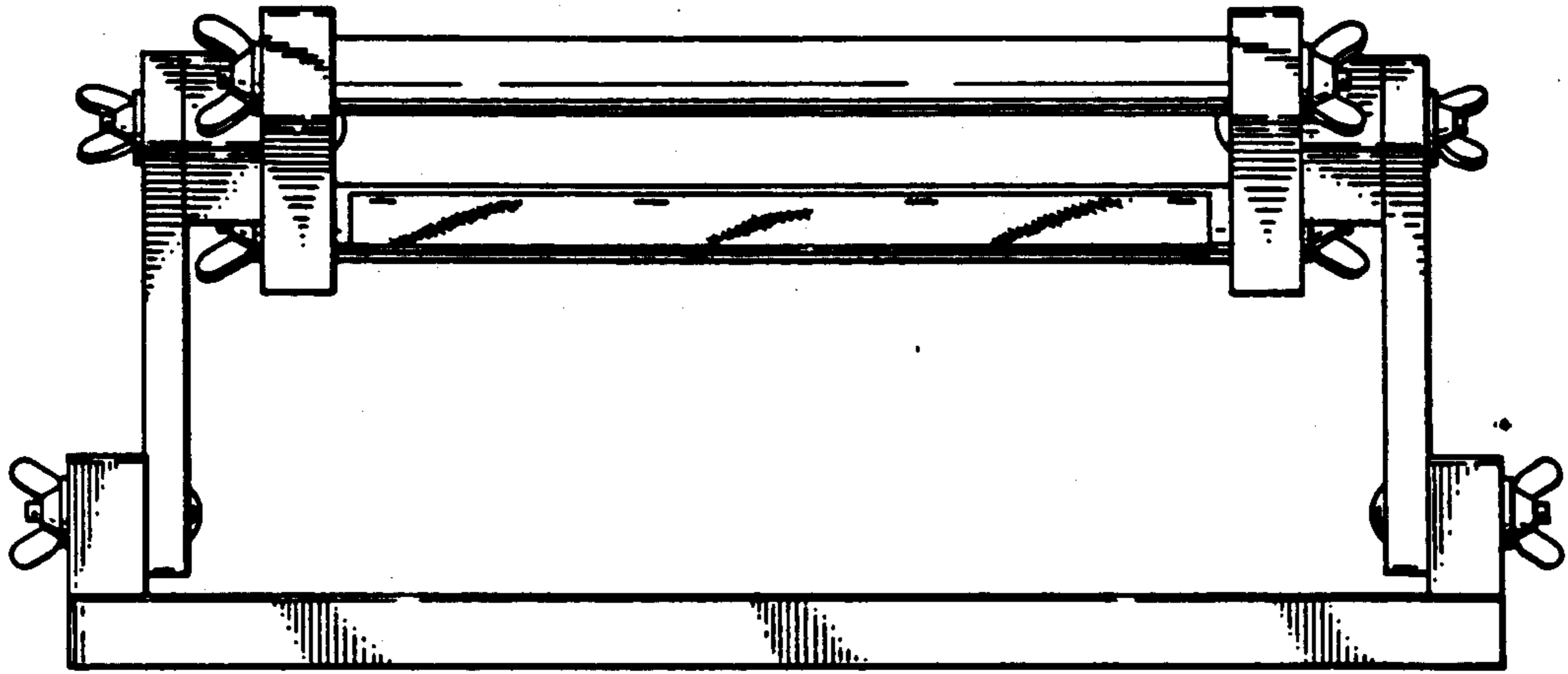


FIG. 4

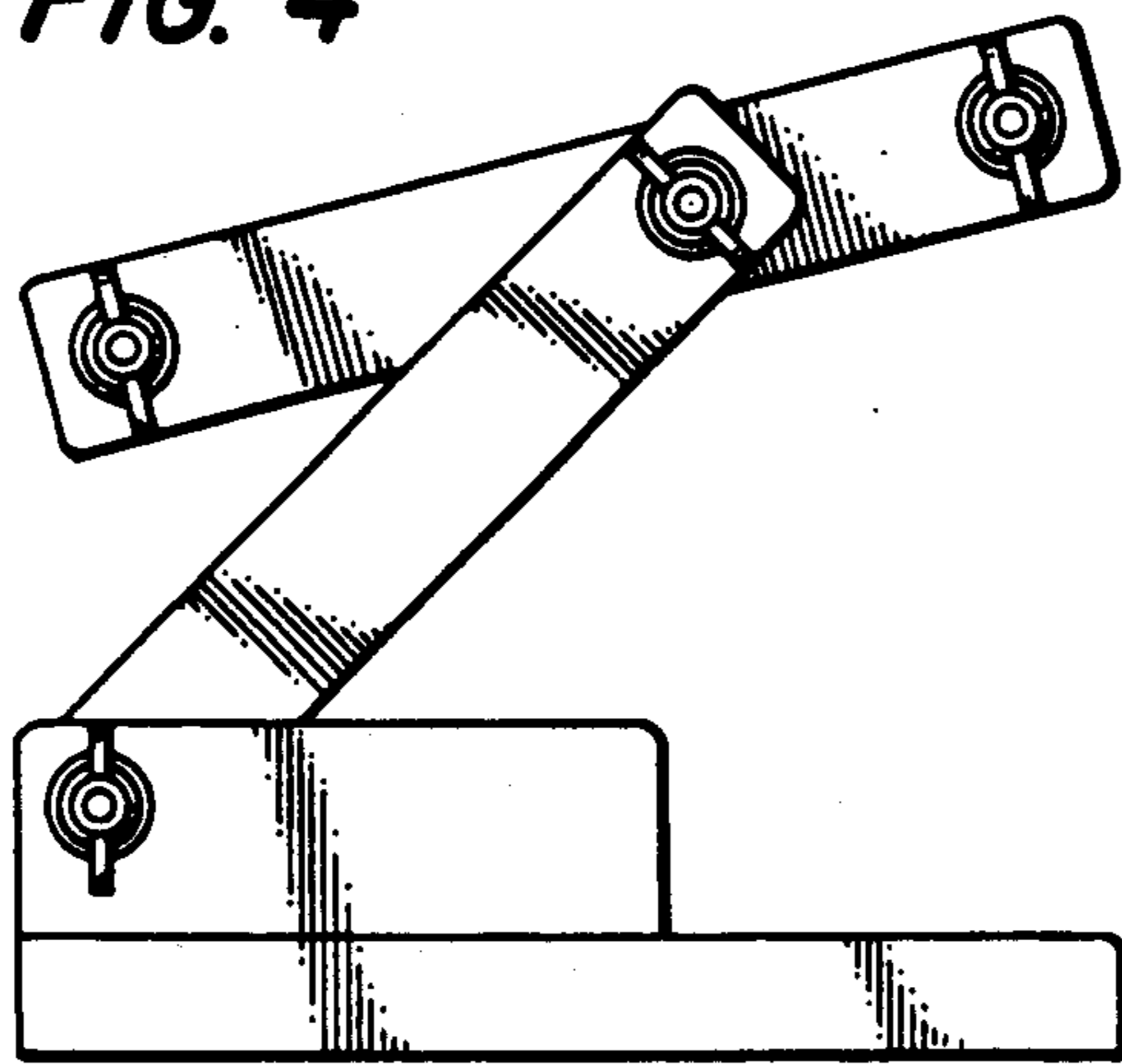


FIG. 5

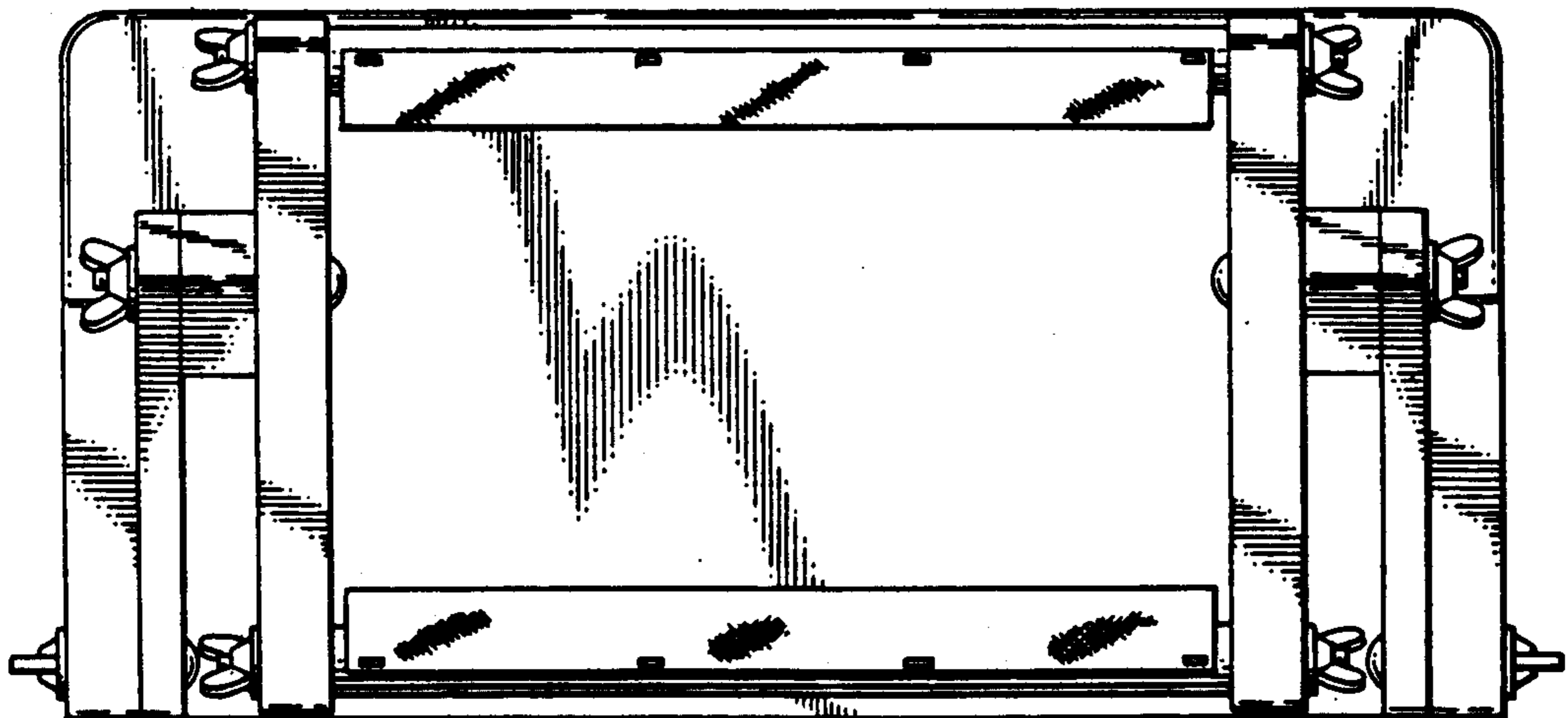


FIG. 6



FIG. 7

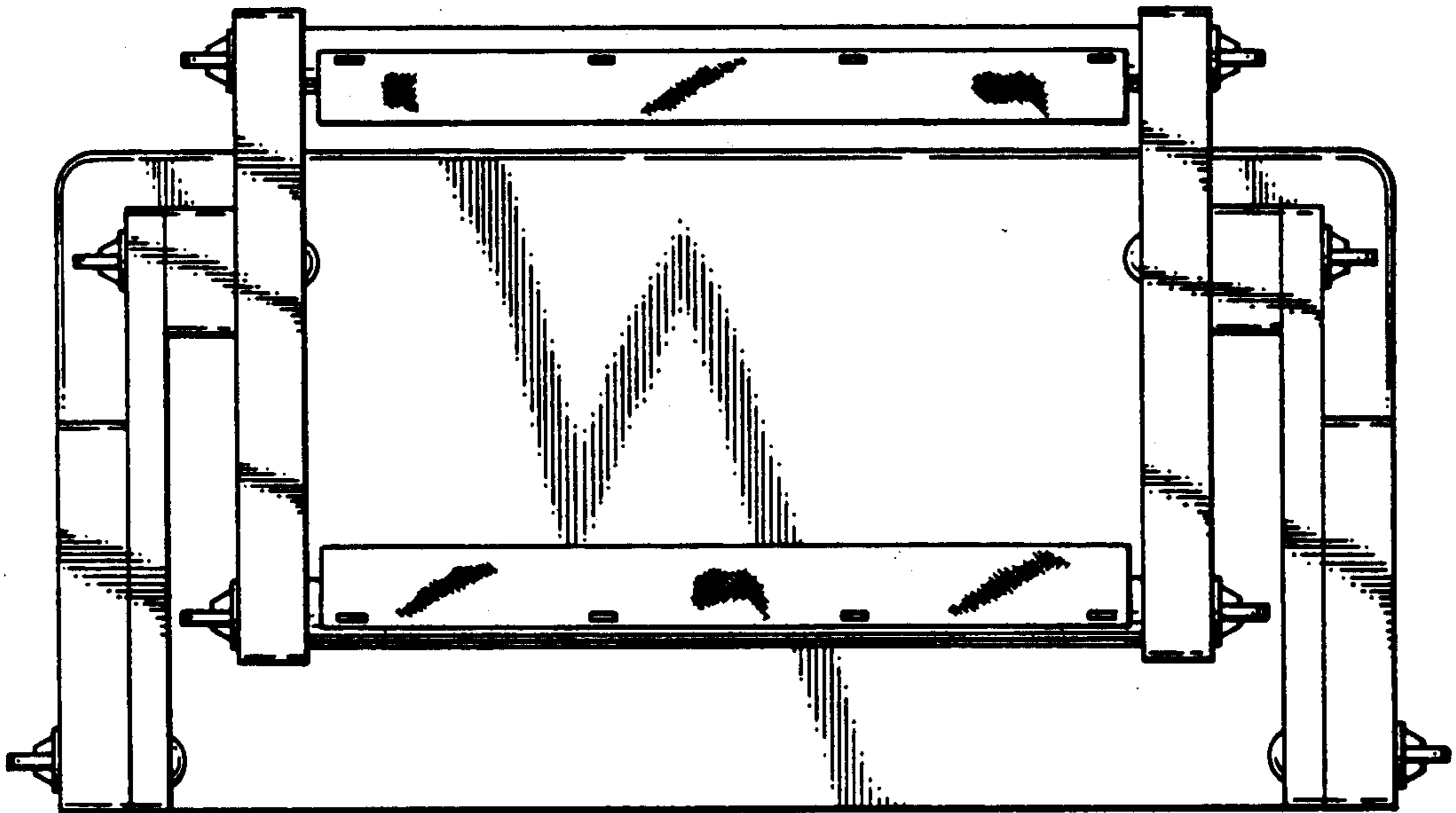


FIG. 8

