

[54] **SHOE OUTSOLE BOTTOM**
 [75] **Inventor: Tinker L. Hatfield, Portland, Oreg.**
 [73] **Assignees: Nike, Inc.; Nike International Ltd., both of Beaverton, Oreg.**
 [**] **Term: 14 Years**
 [21] **Appl. No.: 575,790**
 [22] **Filed: Aug. 31, 1990**

3,442,033	5/1969	Hilburn	36/114
4,130,947	12/1978	Denu	36/30 R
4,559,723	12/1985	Hamy et al.	36/102
4,562,651	1/1986	Frederick	36/102
4,616,431	10/1986	Dassler	36/28
4,624,062	11/1986	Autry	36/114
4,697,361	10/1987	Ganter et al.	36/28
4,768,295	9/1988	Ito	36/28

FOREIGN PATENT DOCUMENTS

1072485 9/1954 France .

OTHER PUBLICATIONS

Nike Brochure-Legend Hi-(Published 12/82).
 Fall 1986 Nike Catalog-Even pp. 22-32 (Published 1/86).
 Fall 1987 Nike Catalog-Even pp. 24-32 (Published 1/87).
 Fall 1988 Nike Catalog-Even pp. 24-40 (Published 1/88).

Primary Examiner—Louis S. Zarfes
Attorney, Agent, or Firm—Banner, Birch, McKie & Beckett

Related U.S. Application Data

[63] Continuation-in-part of Ser. No. 407,019, Sep. 14, 1989, Pat. No. Des. 311,990.
 [52] **U.S. Cl. D2/320**
 [58] **Field of Search D2/264, 265, 274, 317-322, D2/311; 36/25 R, 28, 29, 59 R, 59 C, 102-106, 112-116, 132, 136, 30 R, 32 R**

[56] **References Cited**
U.S. PATENT DOCUMENTS

D. 89,936	5/1934	Crossman et al. . . .	
D. 94,080	12/1934	Fowler .	
D. 107,977	1/1938	Tousley .	
D. 136,381	9/1943	Ghez et al. .	
D. 249,748	10/1978	Kitamura	D2/309
D. 255,176	6/1980	Fuzita .	
D. 257,075	9/1980	Amicone .	
D. 259,150	5/1981	Cesare et al. .	
D. 279,620	7/1985	Ueda	D2/320
D. 287,784	1/1987	Tong et al. .	
D. 290,423	1/1987	Peterson	D2/318
D. 293,275	12/1987	Bua .	
D. 293,501	1/1988	Kiyosawa .	
D. 296,150	6/1988	Diaz .	
D. 296,724	7/1988	Peterson .	
D. 297,885	10/1988	Tong .	
D. 298,984	12/1988	Selbiger .	
D. 299,788	2/1989	Kelley	D2/320
D. 301,385	6/1989	Weiner	D2/308
D. 301,658	6/1989	Hase	D2/320
D. 313,114	12/1990	Aveni	D2/320
2,370,302	2/1945	Ghez et al. .	

[57] **CLAIM**

The ornamental design for a shoe outsole bottom, as shown and described.

DESCRIPTION

FIG. 1 is a plan view of the shoe outsole bottom showing my new design;
 FIG. 2 is a sectional view taken along lines 2—2 of FIG. 1;
 FIG. 3 is a sectional view taken along lines 3—3 of FIG. 1;
 FIG. 4 is a sectional view taken along lines 4—4 of FIG. 1;
 FIG. 5 is a sectional view taken along lines 5—5 of FIG. 1;
 FIG. 6 is a sectional view taken along lines 6—6 of FIG. 1; and
 FIG. 7 is a sectional view taken along line 7—7 of FIG. 1.

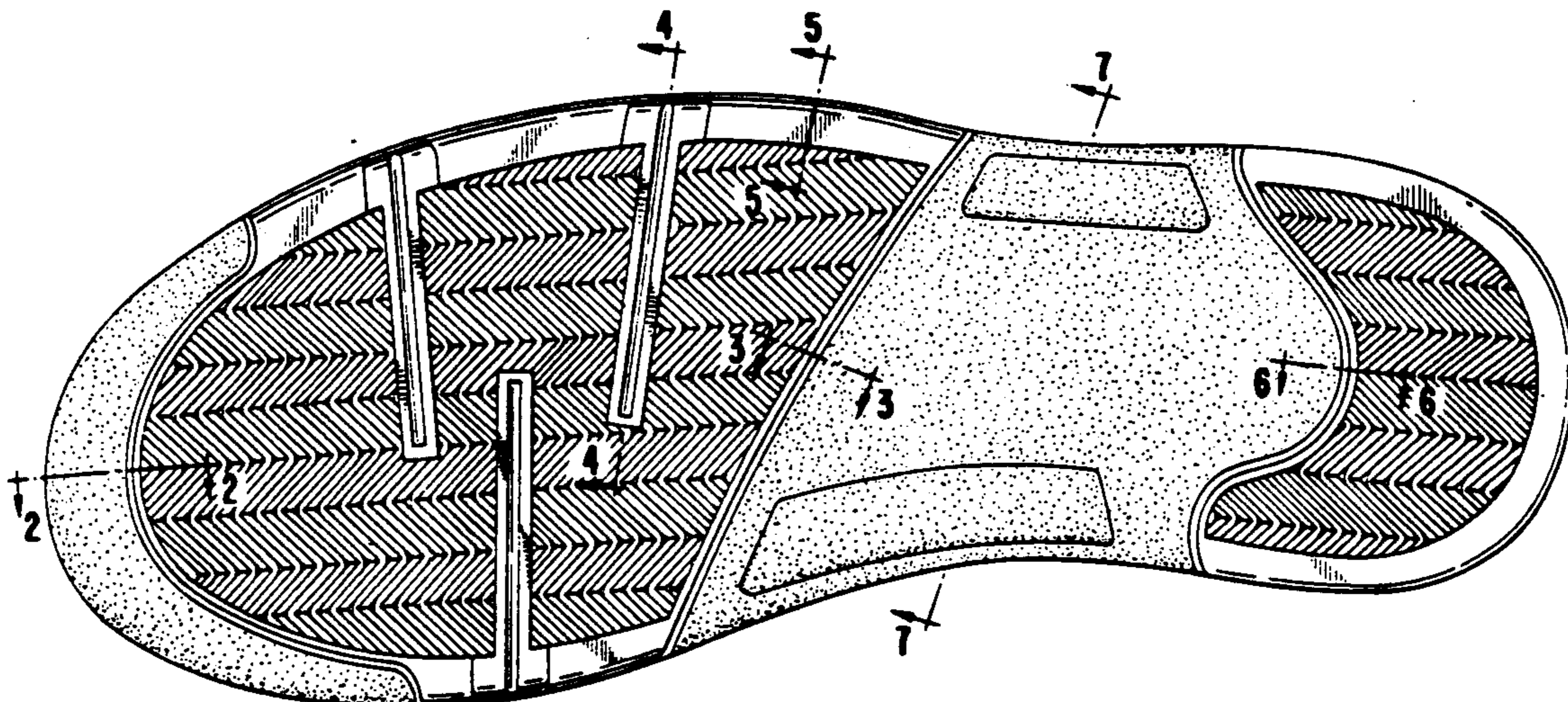


FIG. 1

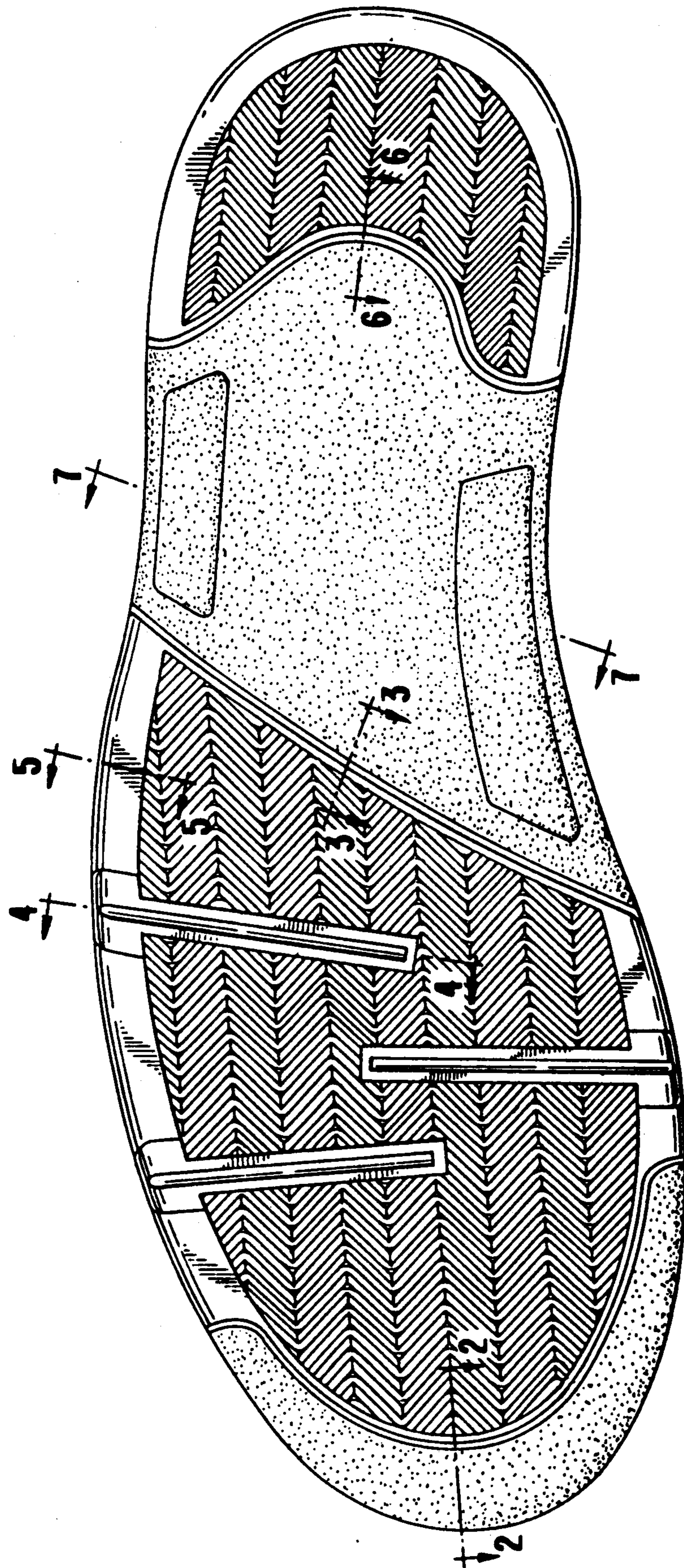


FIG. 2



FIG. 3



FIG. 4



FIG. 5



FIG. 6



FIG. 7

