

[54] ALPINE SKI BOOT
 [75] Inventors: Roger Pitiot, Chapeiry; Michel Mabboux, Seynod, both of France
 [73] Assignee: Salomon S.A., Annecy Cedex, France
 [**] Term: 14 Years
 [21] Appl. No.: 205,787
 [22] Filed: Jun. 13, 1988
 [30] Foreign Application Priority Data
 Dec. 14, 1987 [WO] World Int. Prop. O. DM/009858
 [52] U.S. Cl. D2/276
 [58] Field of Search D2/264, 265, 271-276; 36/50, 103, 116-121

4,455,768 6/1984 Salomon .
 4,484,762 11/1984 Salomon .
 4,539,763 9/1985 Walkhoff .
 4,539,764 9/1985 Pradier .
 4,551,933 11/1985 Morrell et al. .
 4,557,061 12/1985 Graillat et al. .
 4,561,196 12/1985 Petrini et al. .
 4,562,653 1/1986 Salomon .
 4,571,855 2/1986 Blanc .
 4,575,955 3/1986 Borsoi .
 4,575,956 3/1986 Paris .
 4,575,957 3/1986 Petrini .
 4,577,420 3/1986 Petrini et al. .
 4,583,306 4/1986 Paris .
 4,596,080 6/1986 Benoit et al. .
 4,624,065 11/1986 Mabboux et al. .
 4,633,599 1/1987 Morrell et al. .
 4,644,670 2/1987 Rochard et al. .
 4,644,671 2/1987 Walkhoff .
 4,653,204 3/1987 Morrell et al. .
 4,653,205 3/1987 Koch 36/117
 4,660,300 4/1987 Morrell et al. .
 4,665,635 5/1987 Benoit et al. .
 4,672,755 6/1987 Benoit et al. .
 4,677,768 7/1987 Benoit et al. .
 4,677,770 7/1987 De Marchi et al. .
 4,682,426 7/1987 De Marchi et al. .
 4,694,593 9/1987 Petrini et al. .
 4,698,920 10/1987 Benoit et al. .
 4,709,491 12/1987 Morrell et al. .
 4,711,042 12/1987 Morrell et al. .
 4,712,315 12/1987 Morrell et al. .
 4,759,137 7/1988 Lederer .
 4,788,781 12/1988 Benoit et al. .
 4,790,081 12/1988 Benoit et al. .

[56] — References Cited
 U.S. PATENT DOCUMENTS

D. 253,499 11/1979 Salomon D2/276
 D. 256,517 *8/1980 Salomon .
 D. 271,441 11/1983 Salomon .
 477,742 10/1888 Petrini et al. .
 3,545,106 12/1970 Martin .
 3,793,749 2/1974 Gertsch et al. .
 3,885,329 5/1975 French .
 3,975,838 8/1976 Martin .
 3,988,841 11/1976 Salomon .
 4,060,256 11/1977 Collombin et al. .
 4,062,133 12/1977 McGee et al. .
 4,078,322 3/1978 Dalebout .
 4,083,129 4/1978 Collombin et al. .
 4,095,356 6/1978 Robran et al. .
 4,104,766 8/1978 Salomon .
 4,104,811 8/1978 Salomon .
 4,142,307 3/1979 Martin .
 4,160,332 7/1979 Salomon .
 4,169,325 10/1979 Salomon .
 4,184,273 1/1980 Boyer et al. .
 4,186,501 2/1980 Salomon .
 4,191,395 3/1980 Salomon .
 4,192,087 3/1980 Salomon .
 4,205,467 6/1980 Salomon .
 4,253,251 3/1981 Salomon .
 4,258,482 3/1981 Salomon .
 4,265,034 5/1981 Salomon .
 4,268,931 5/1981 Salomon .
 4,290,213 9/1981 Salomon .
 4,334,368 6/1982 Chalmers, II et al. .
 4,372,061 2/1983 Pozzobon .
 4,382,611 5/1983 Salomon .
 4,408,403 10/1983 Martin .
 4,454,663 6/1984 Graillat et al. .

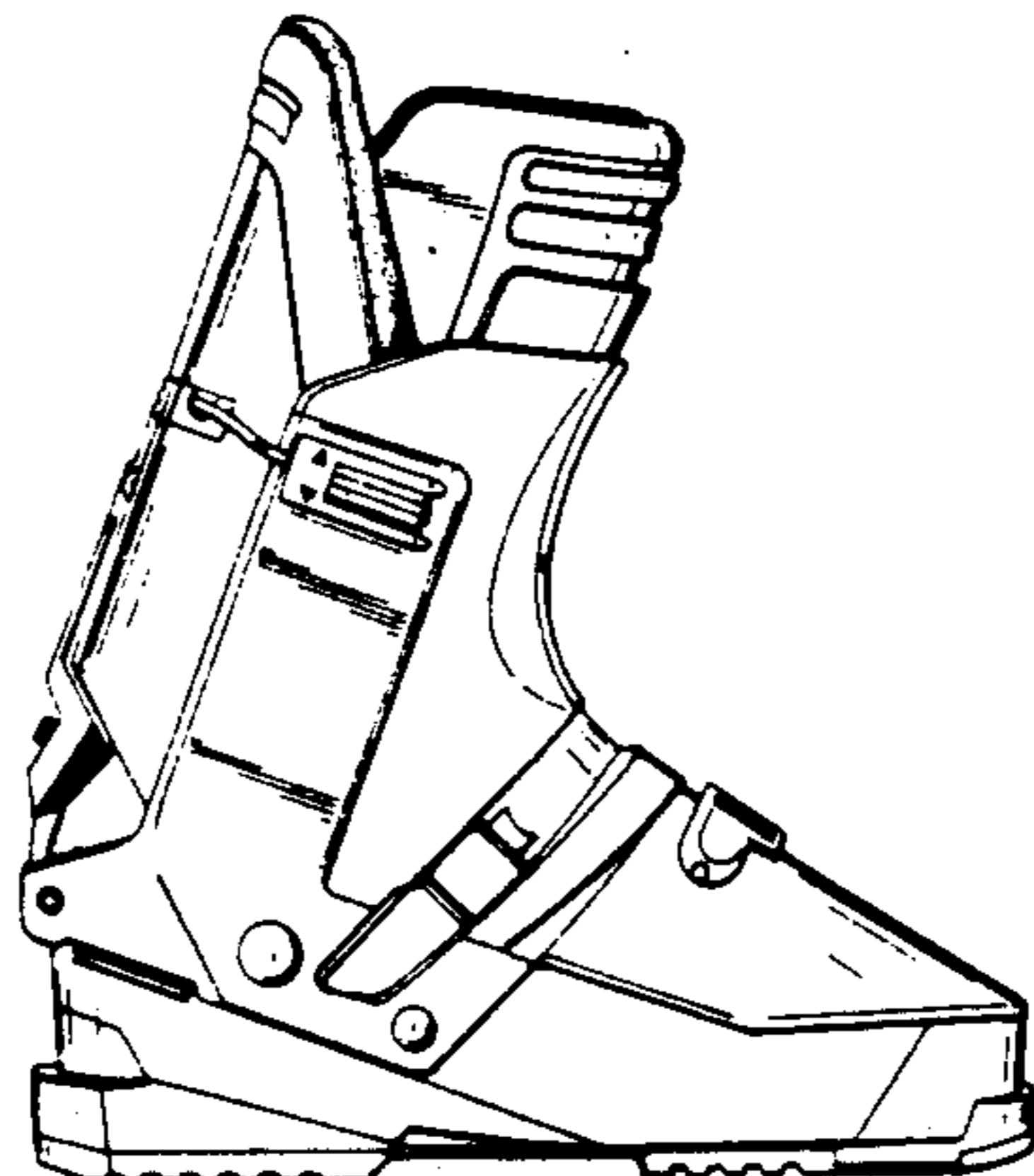
Primary Examiner—Louis S. Zarfus
 Attorney, Agent, or Firm—Sandler, Greenblum & Bernstein

[57] CLAIM

The ornamental design for an alpine ski boot, as shown and described.

DESCRIPTION

FIG. 1 is a left side elevational view of an alpine ski boot showing our new design;
 FIG. 2 is a right side elevational view;
 FIG. 3 is a front elevational view;
 FIG. 4 is a rear elevational view;
 FIG. 5 is a top plan view; and
 FIG. 6 is a bottom plan view.



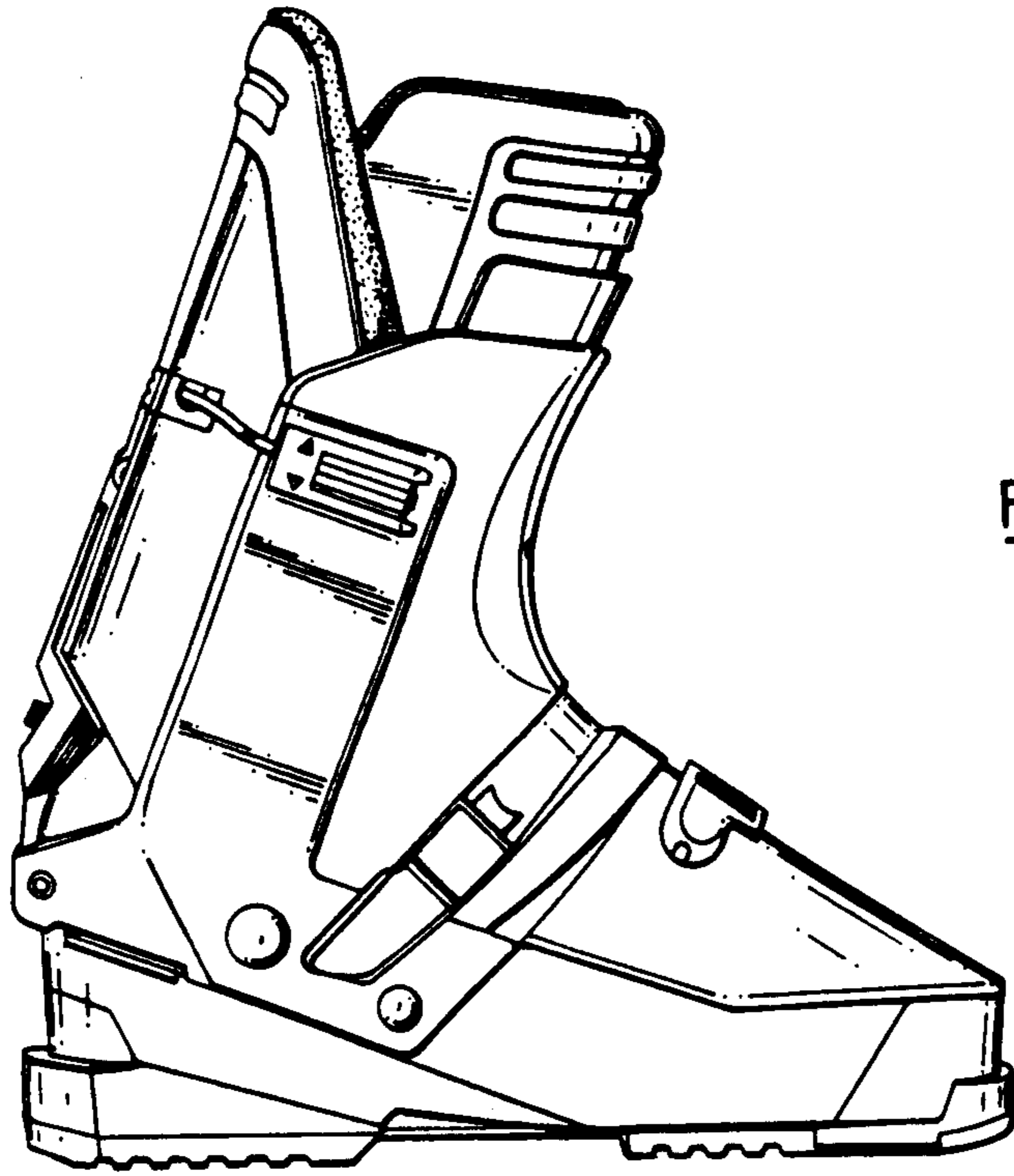


Fig. 1

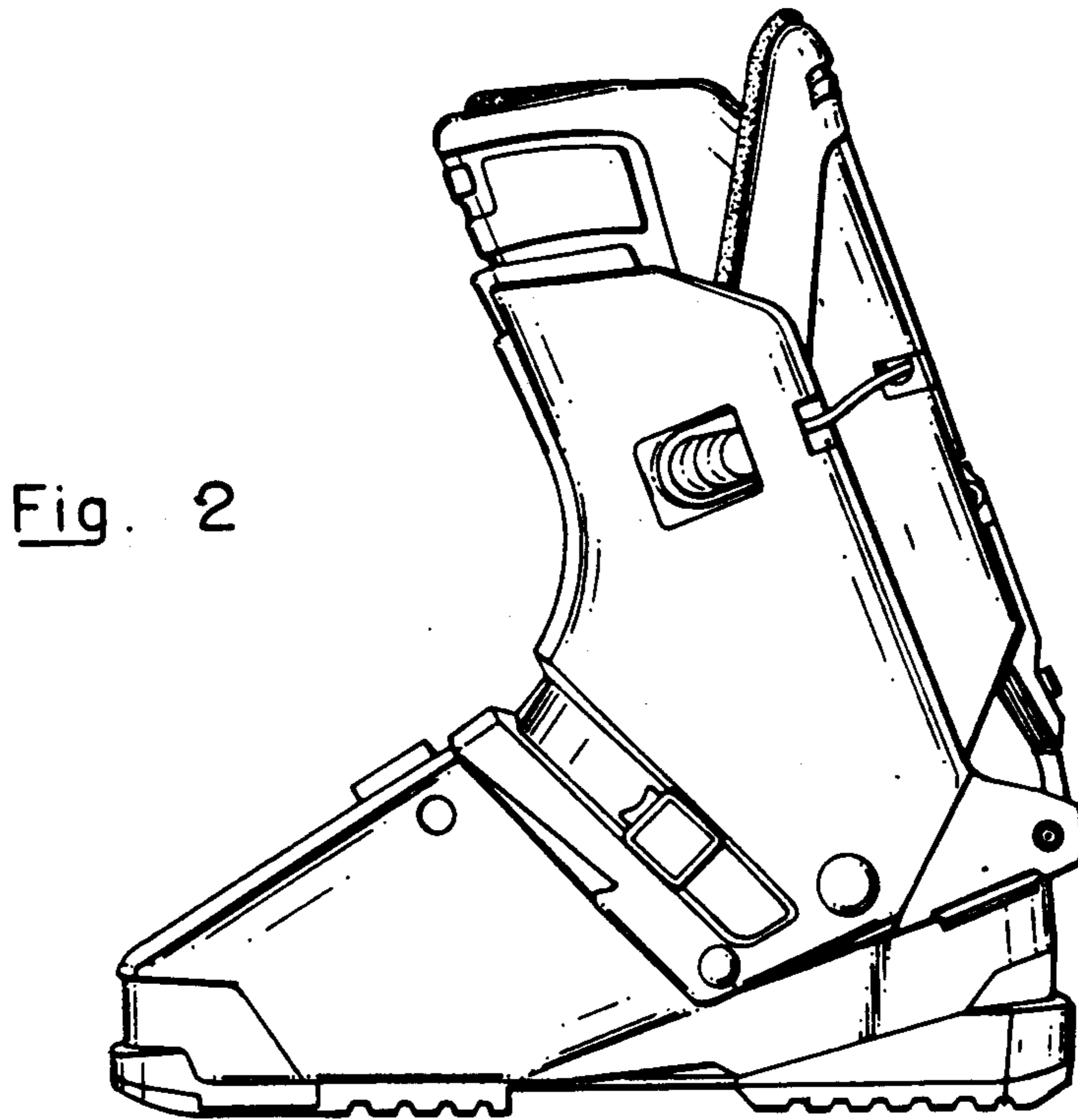


Fig. 2

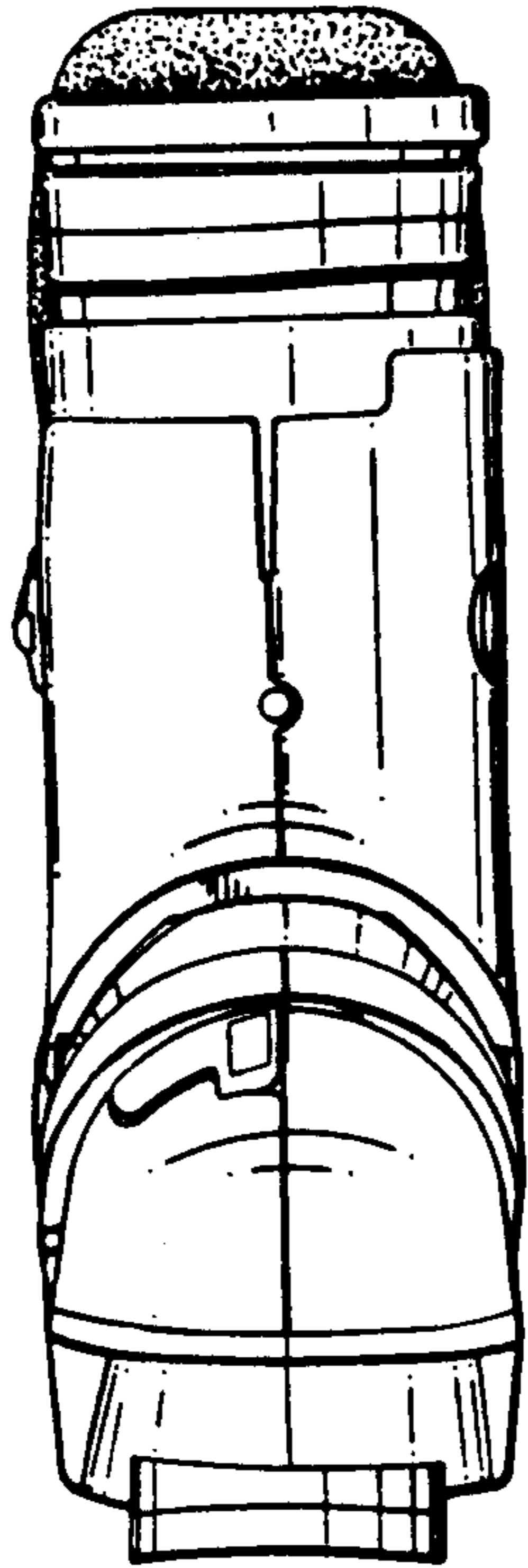


Fig. 3

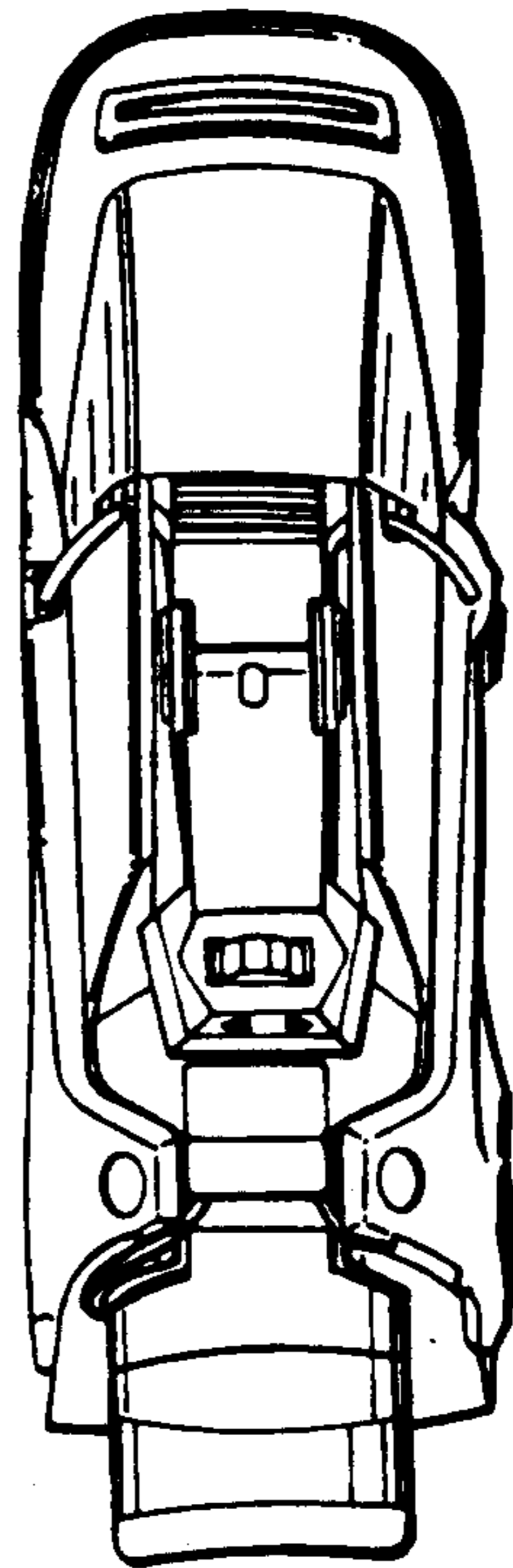


Fig. 4

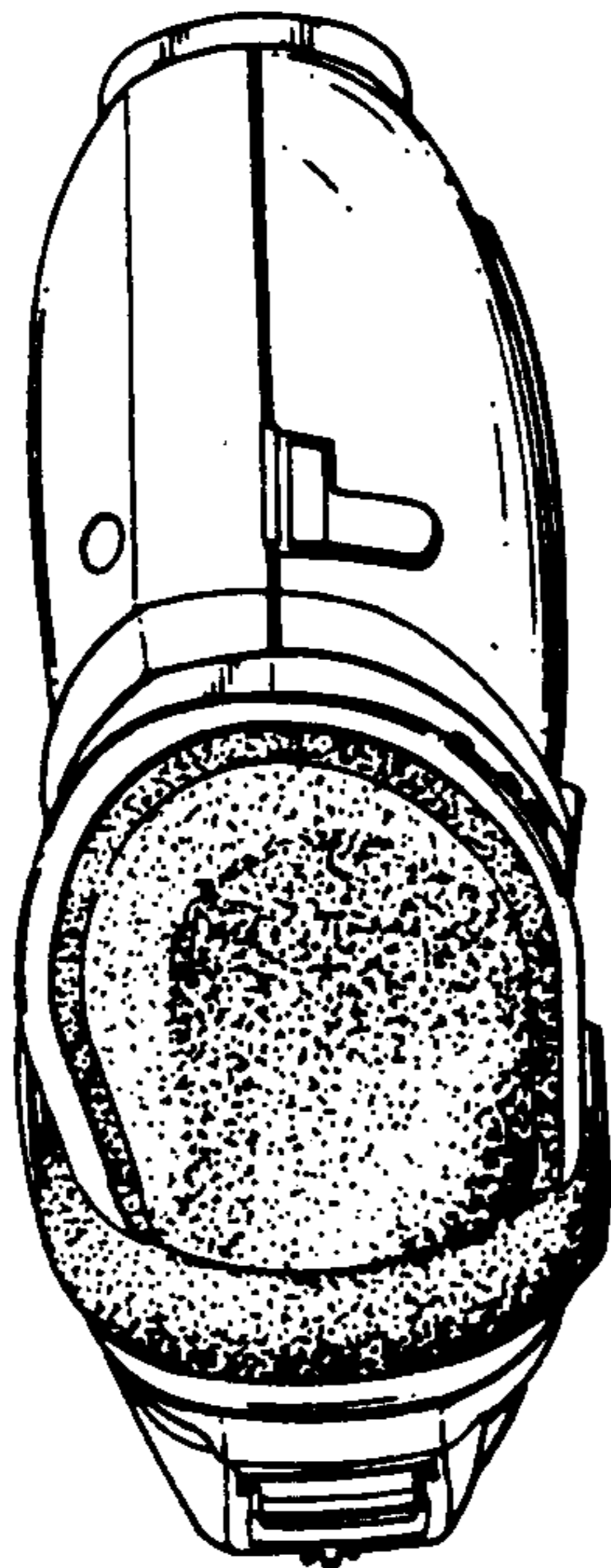


Fig. 5

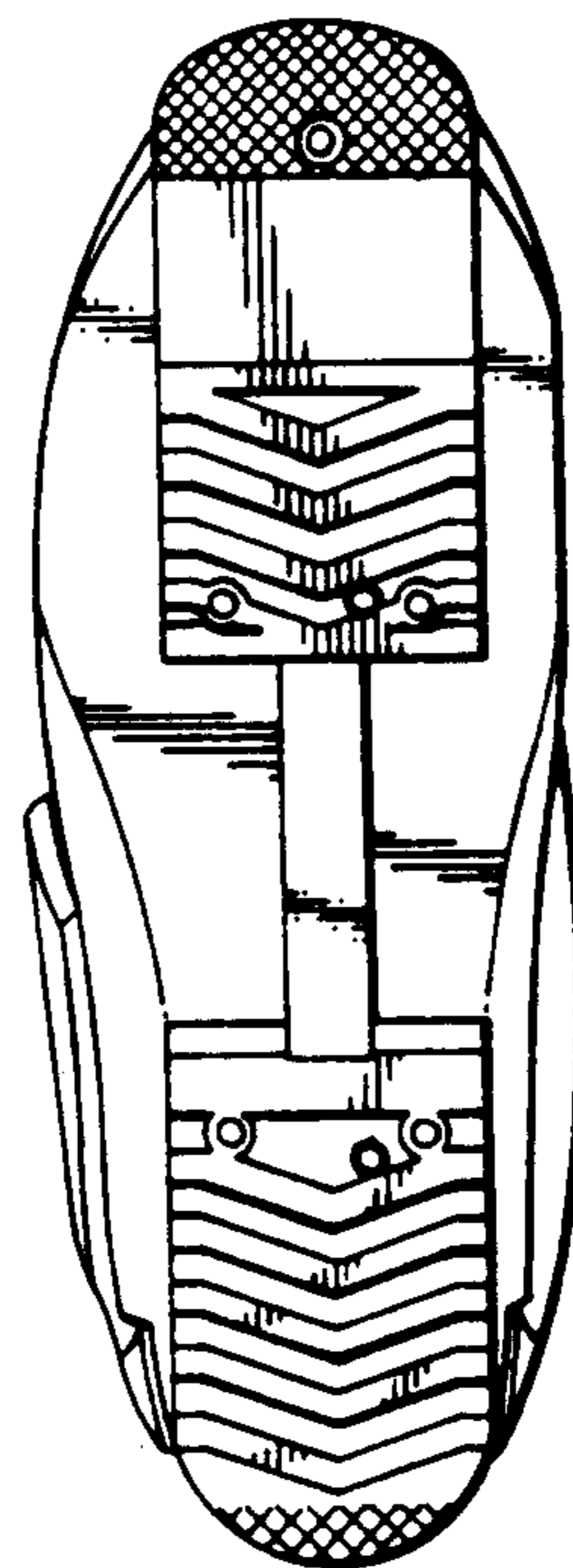


Fig. 6