

[54] SUPPORTING CHANNEL FOR CEILING MOUNTED TRACK LIGHTING SYSTEM

[76] Inventor: Jack V. Miller, 700 N. Auburn Ave., Sierra Madre, Calif. 91024

[**] Term: 14 Years

[21] Appl. No.: 339,358

[22] Filed: Apr. 17, 1989

[52] U.S. Cl. D26/140; D13/155; D25/119

[58] Field of Search D25/119, 121, 123, 125; D26/118, 138; D13/155; 174/68.3, 101; 439/110-120; 52/716, 255, 468, 287

[56] References Cited

U.S. PATENT DOCUMENTS

D. 210,935	5/1968	Cook	D25/119
D. 223,520	11/1974	Le Van	D25/119
D. 253,130	10/1979	Broadbent	D25/125
D. 258,131	10/1979	Broadbent	D25/125
D. 286,194	10/1986	Bancroft	D25/125
D. 306,079	2/1990	Whitney	D25/119
3,486,283	12/1969	Arnett	52/716
3,603,054	9/1971	Didry	D25/125 X

4,768,964	9/1988	Zucchini	439/110
4,812,134	3/1989	Miller	439/110
4,857,670	8/1989	Frank	174/101

OTHER PUBLICATIONS

Koch & Lowy Inc., "Trac Lights" Catalog, p. 3, Track Extrusion.

Primary Examiner—Susan J. Lucas

[57] CLAIM

The ornamental design for a supporting channel for ceiling mounted track lighting system, as shown and described.

DESCRIPTION

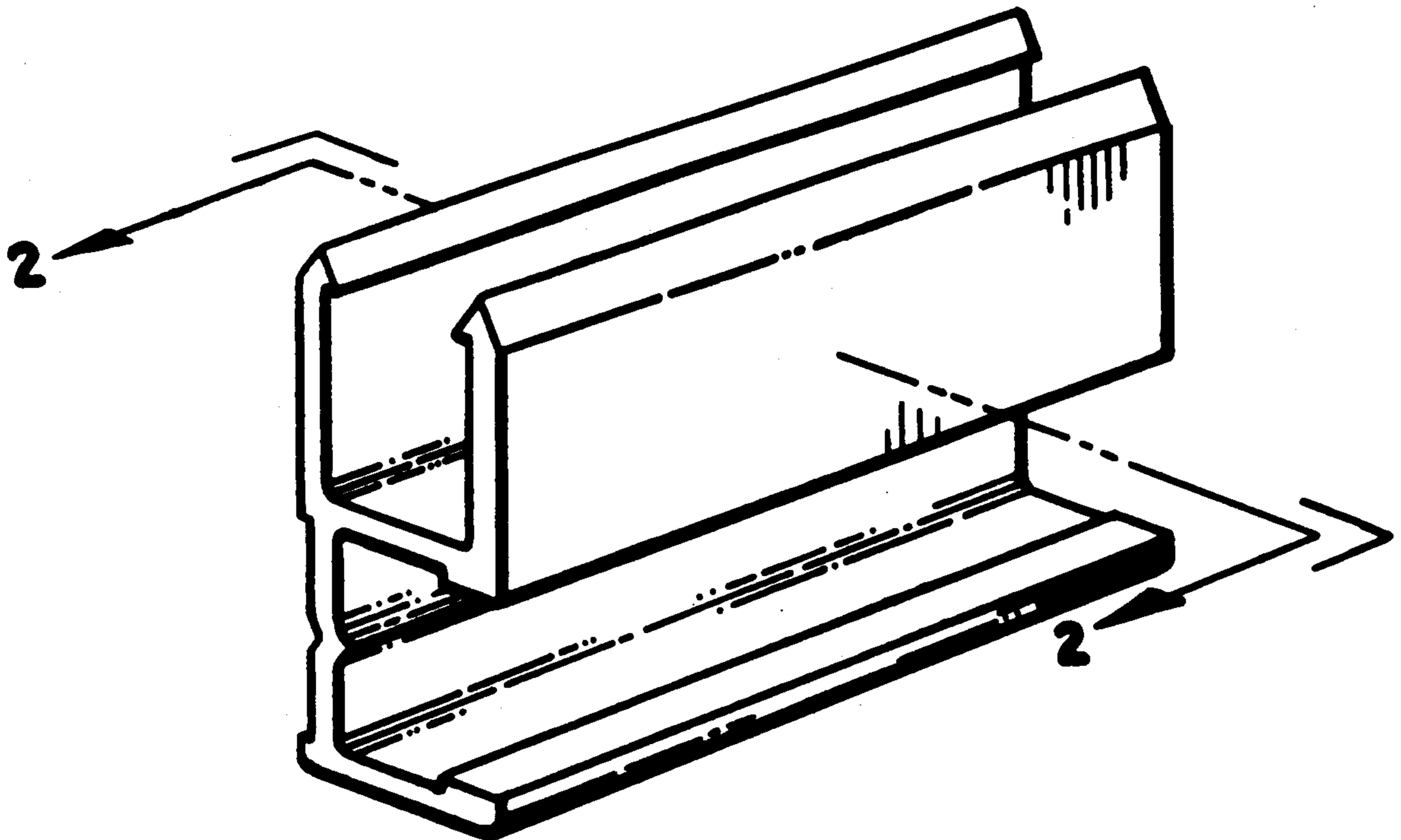
FIG. 1 is a top, front perspective view of a supporting channel for ceiling mounted track lighting system showing my new design;

FIG. 2 is a cross-sectional view thereof as taken along line 2—2 of FIG. 1;

FIG. 3 is a cross-sectional view of a second embodiment of my new design;

FIG. 4 is a cross-sectional view of a third embodiment of my new design.

It is understood that all undisclosed exterior surfaces of all embodiments are plain and unornamented.



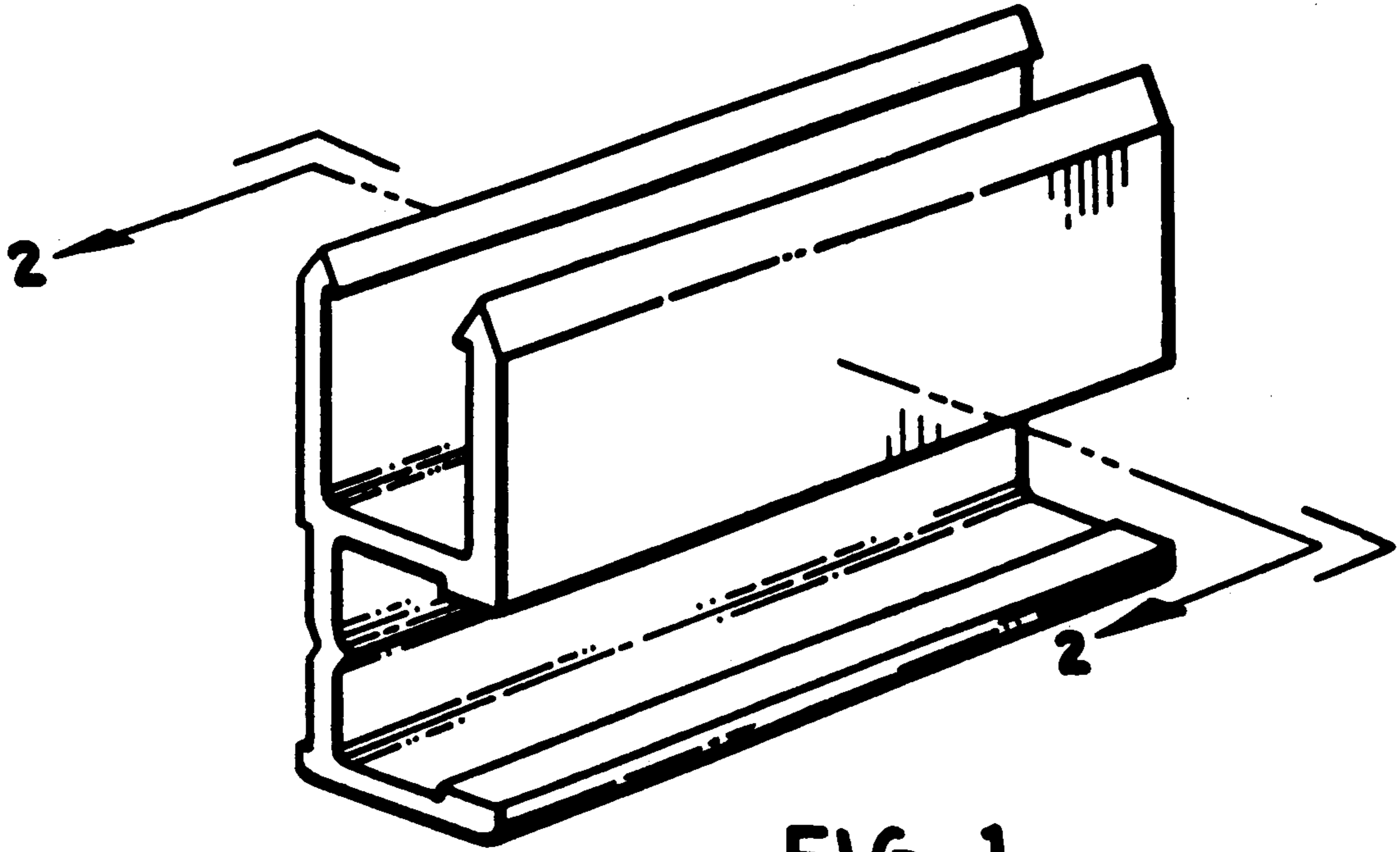


FIG. 1

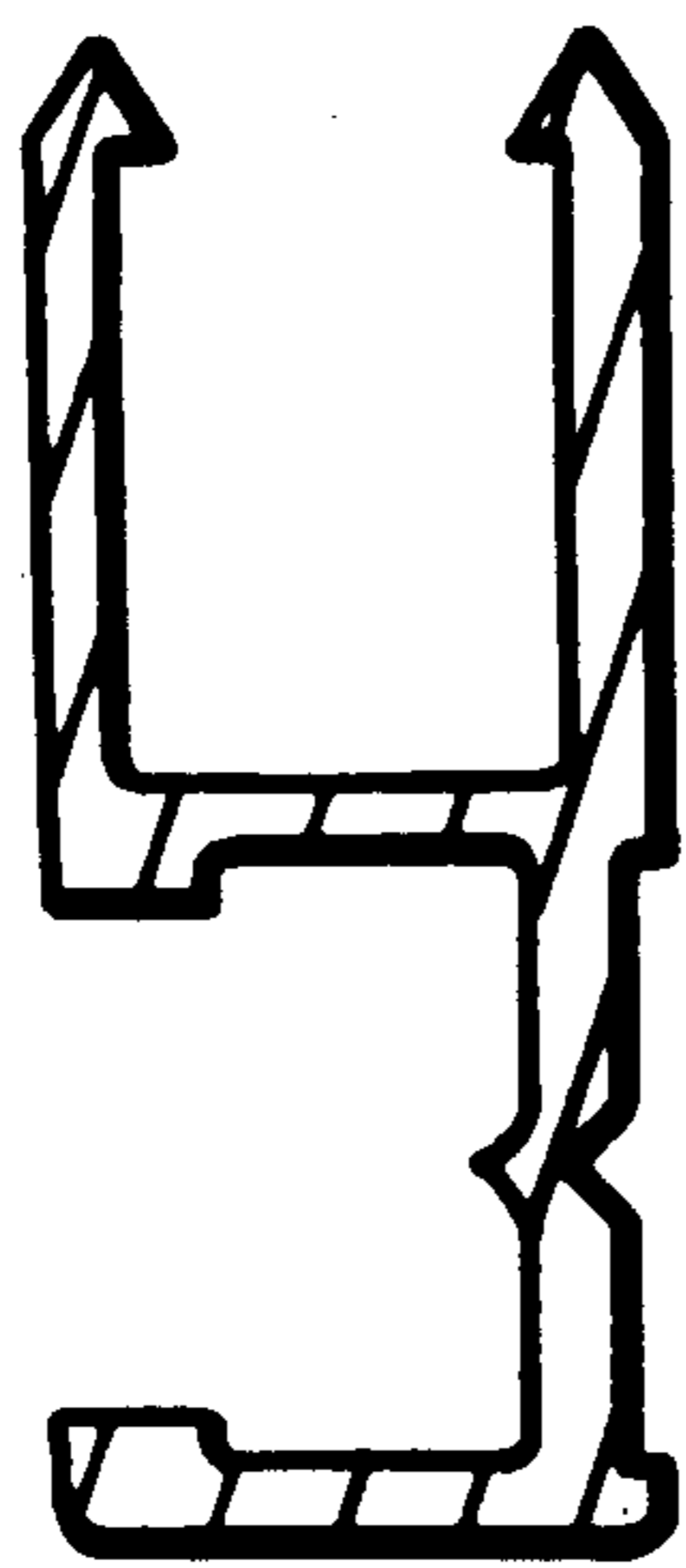


FIG. 2

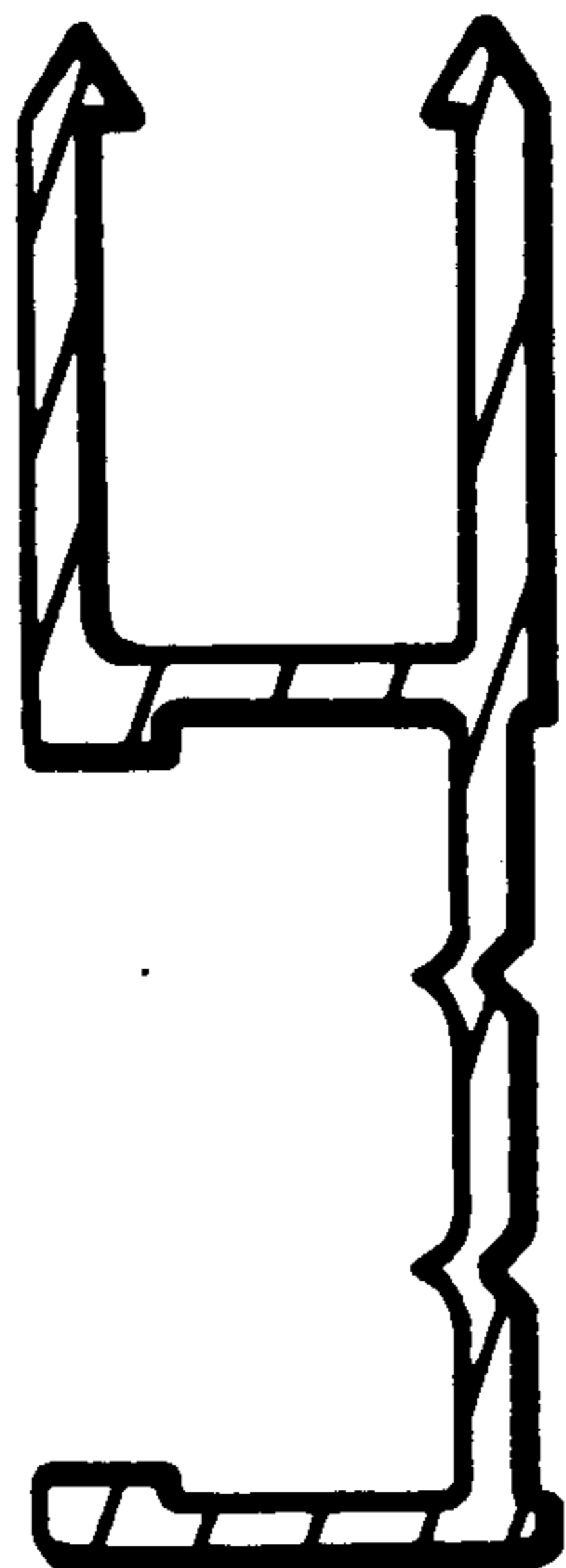


FIG. 3

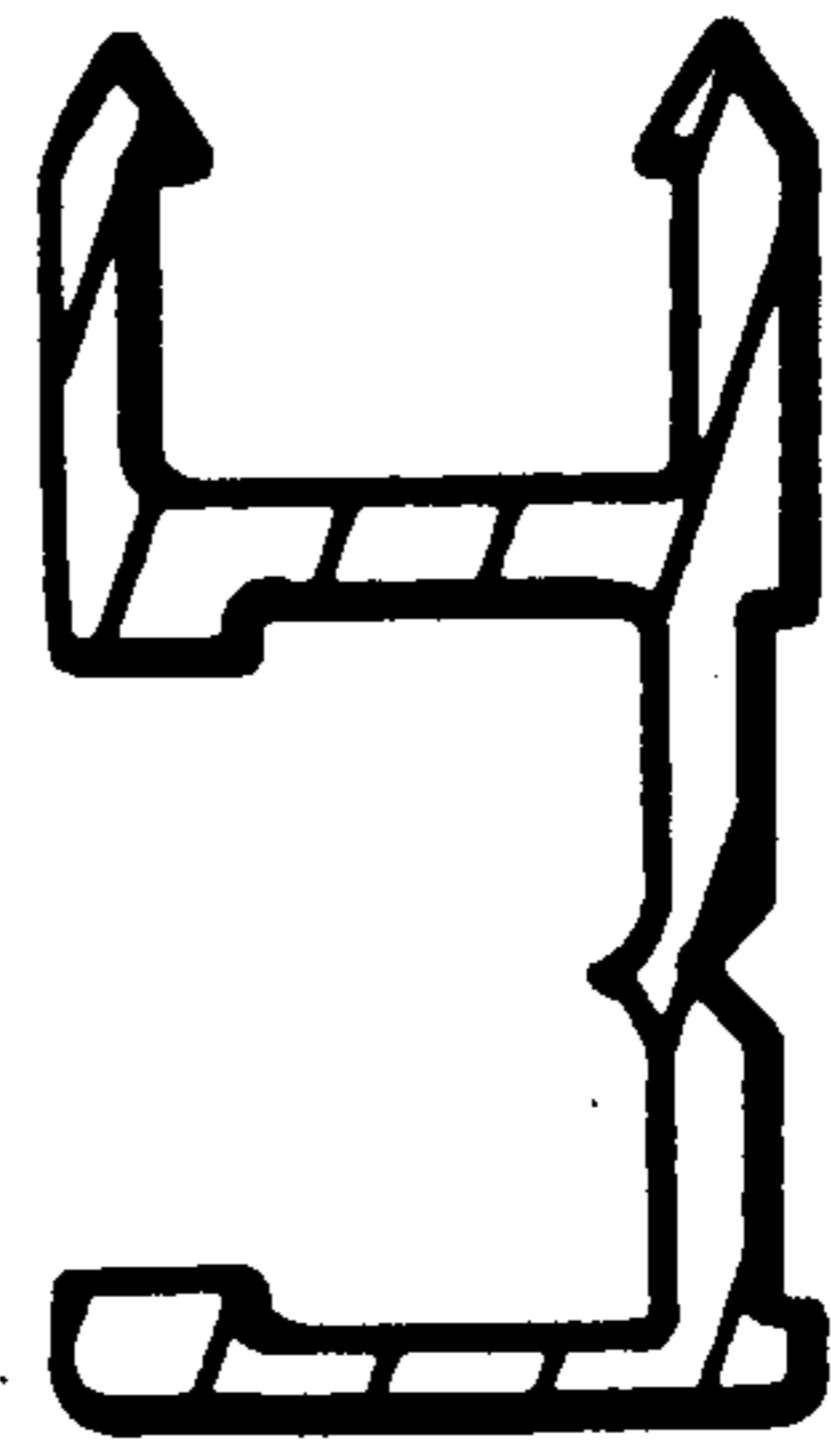


FIG. 4