

[54] **TRACK LIGHTING FIXTURE**

[75] **Inventor: Bruce N. Layne, Wheaton, Ill.**  
[73] **Assignee: Cooper Industries, Inc., Houston, Tex.**

[\*\*] **Term: 14 Years**

[21] **Appl. No.: 271,196**

[22] **Filed: Nov. 14, 1988**

[52] **U.S. Cl. .... D26/63**

[58] **Field of Search ..... D26/60-65;**  
362/147, 269, 275, 287, 418, 419, 427, 432, 404

[56] **References Cited**

**U.S. PATENT DOCUMENTS**

D. 291,605	8/1987	Roos	.....	D26/85
4,112,486	9/1978	Tovi	.....	362/275
4,727,460	2/1988	Payne	.....	362/269

4,814,955	3/1989	Price	.....	362/275
4,851,973	7/1989	Layne	.....	362/147

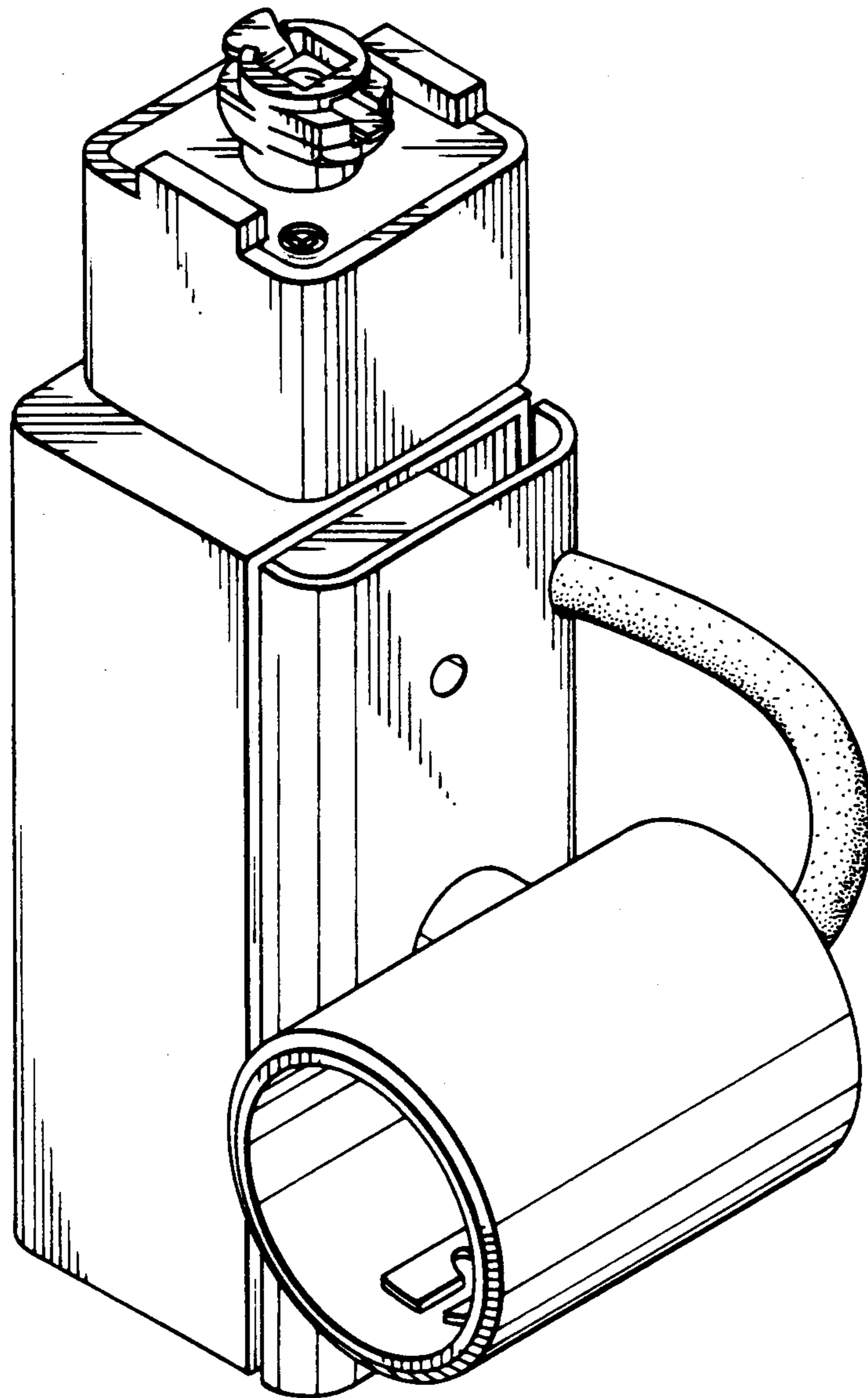
*Primary Examiner*—Susan J. Lucas  
*Attorney, Agent, or Firm*—Donald Verplancken; Ned L. Conley; David A. Rose

[57] **CLAIM**

The ornamental design for a track lighting fixture, as shown and described.

**DESCRIPTION**

FIG. 1 is a top, front, and left side perspective view of a track lighting fixture showing my new design; FIG. 2 is a right side elevational view thereof; FIG. 3 is a front elevational view thereof; FIG. 4 is a left side elevational view thereof; FIG. 5 is a rear elevational view thereof; FIG. 6 is a top plan view thereof; FIG. 7 is a bottom plan view thereof.



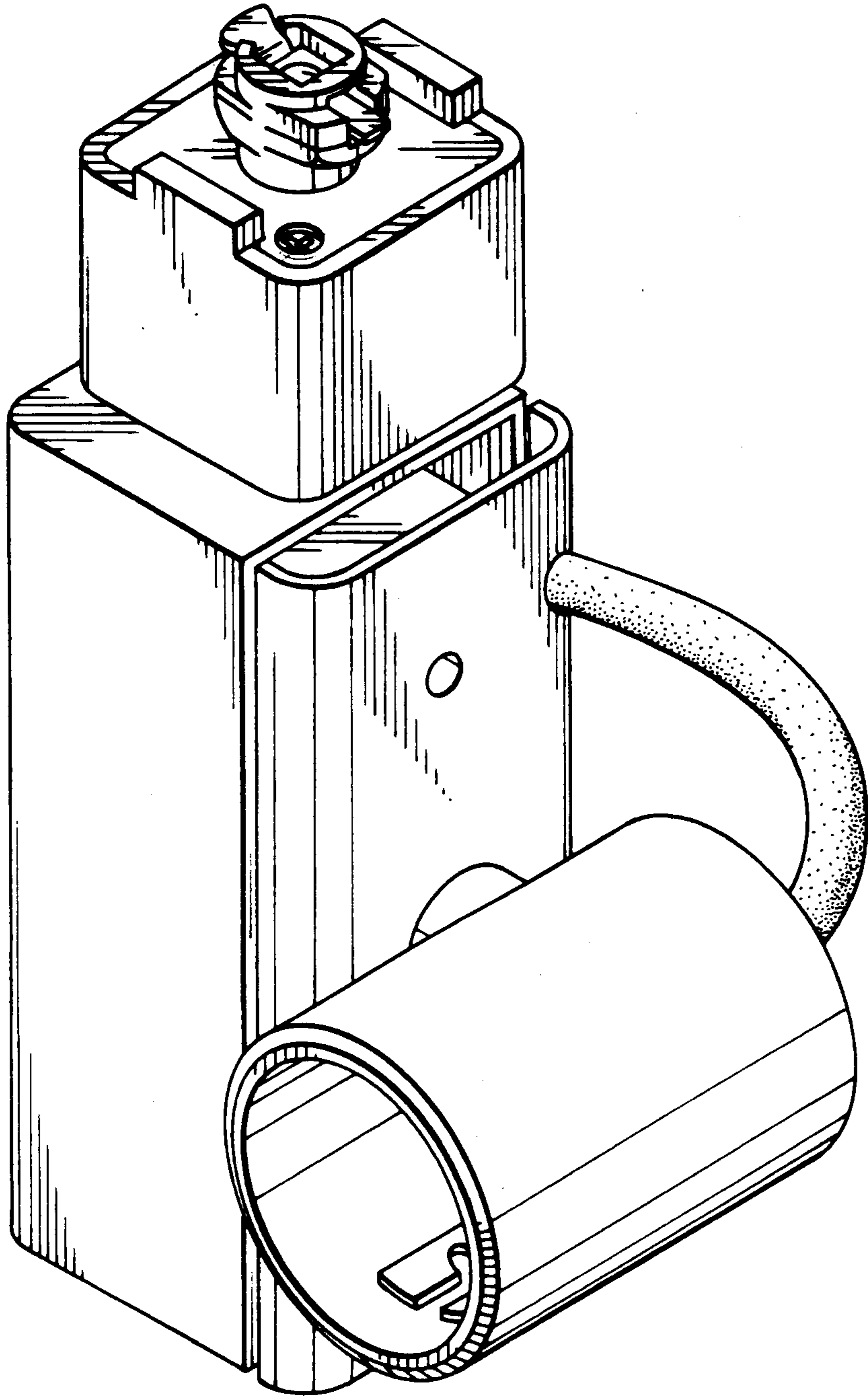


FIG. 1

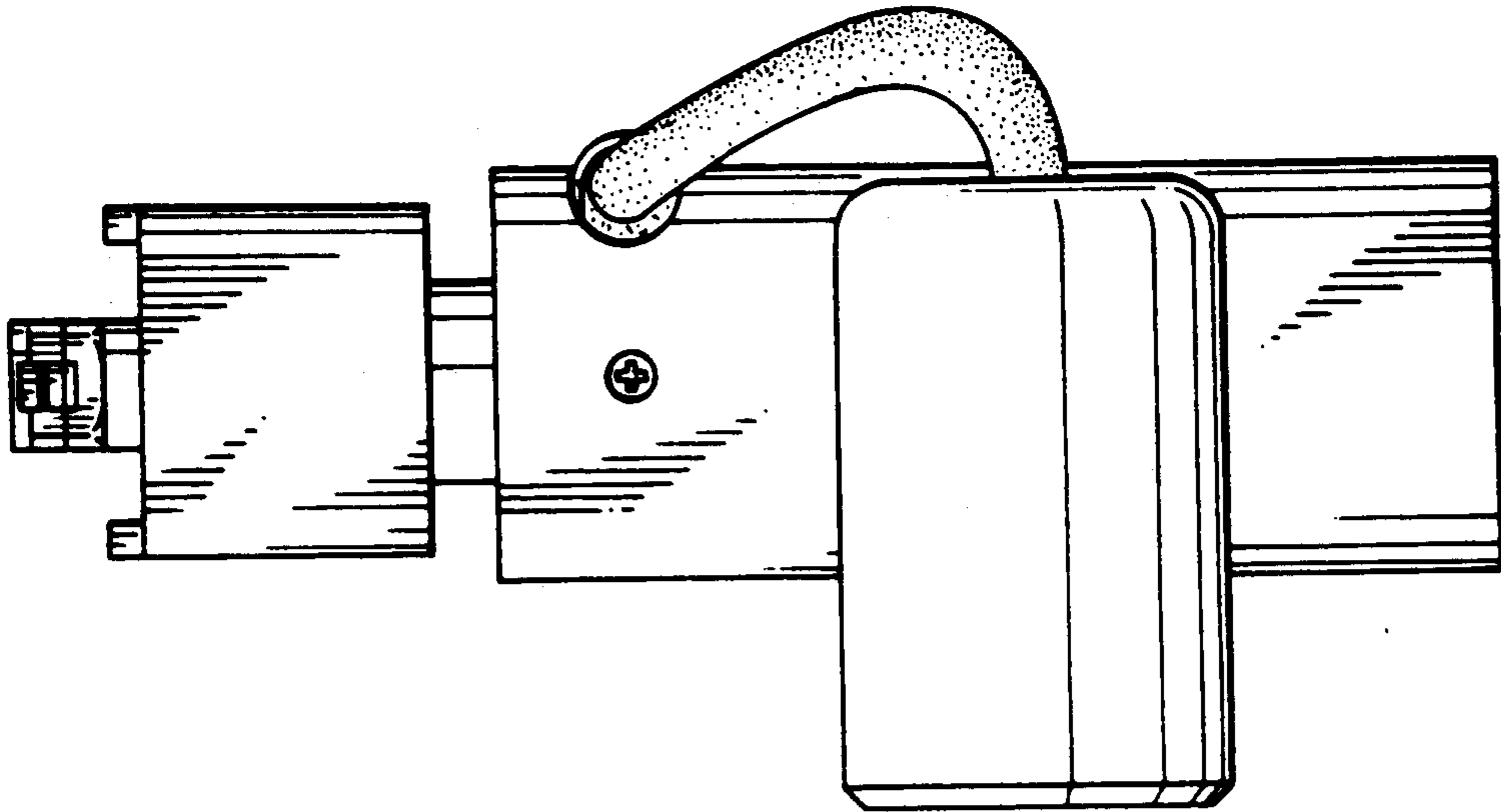


FIG. 3

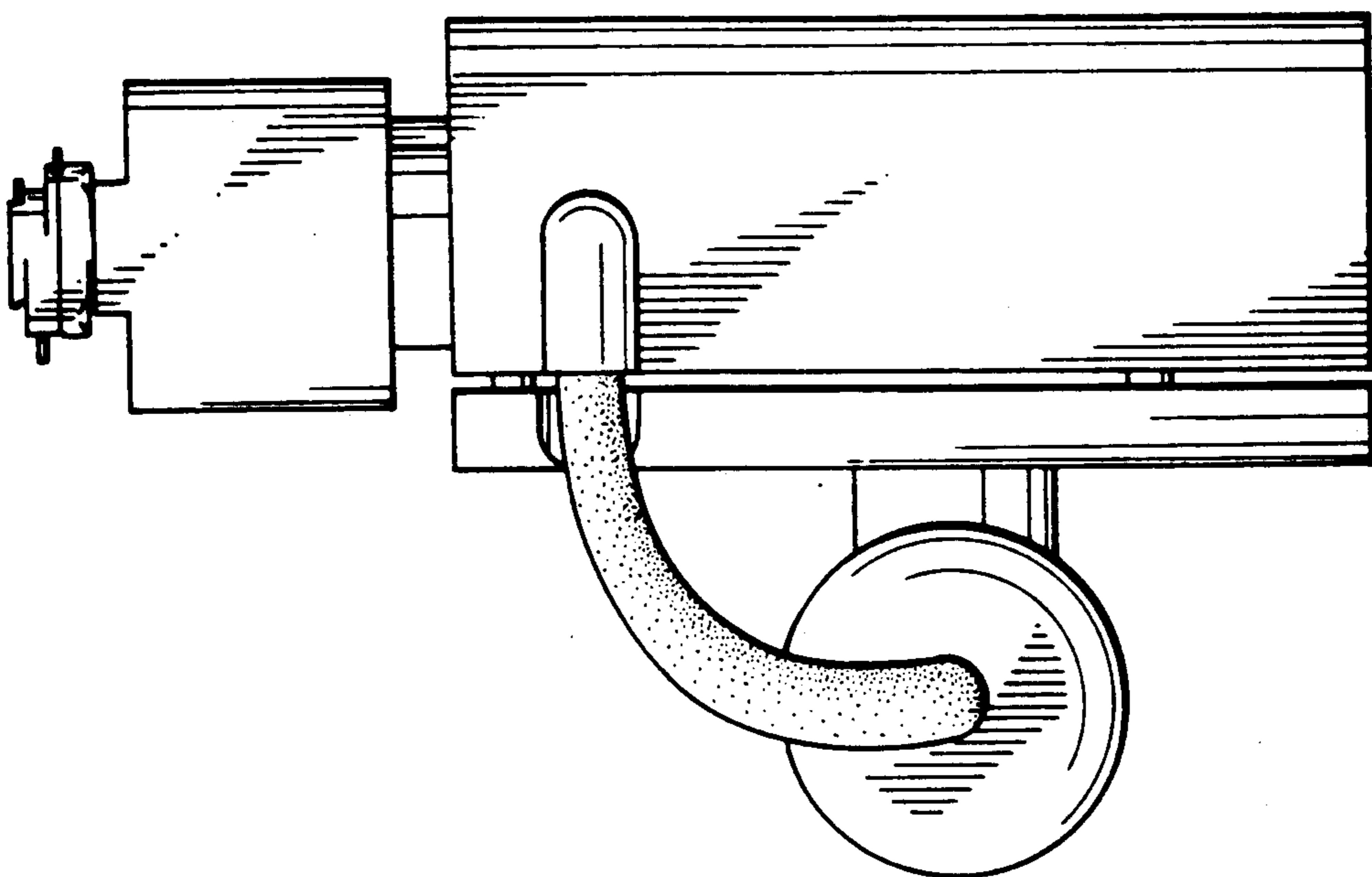


FIG. 2

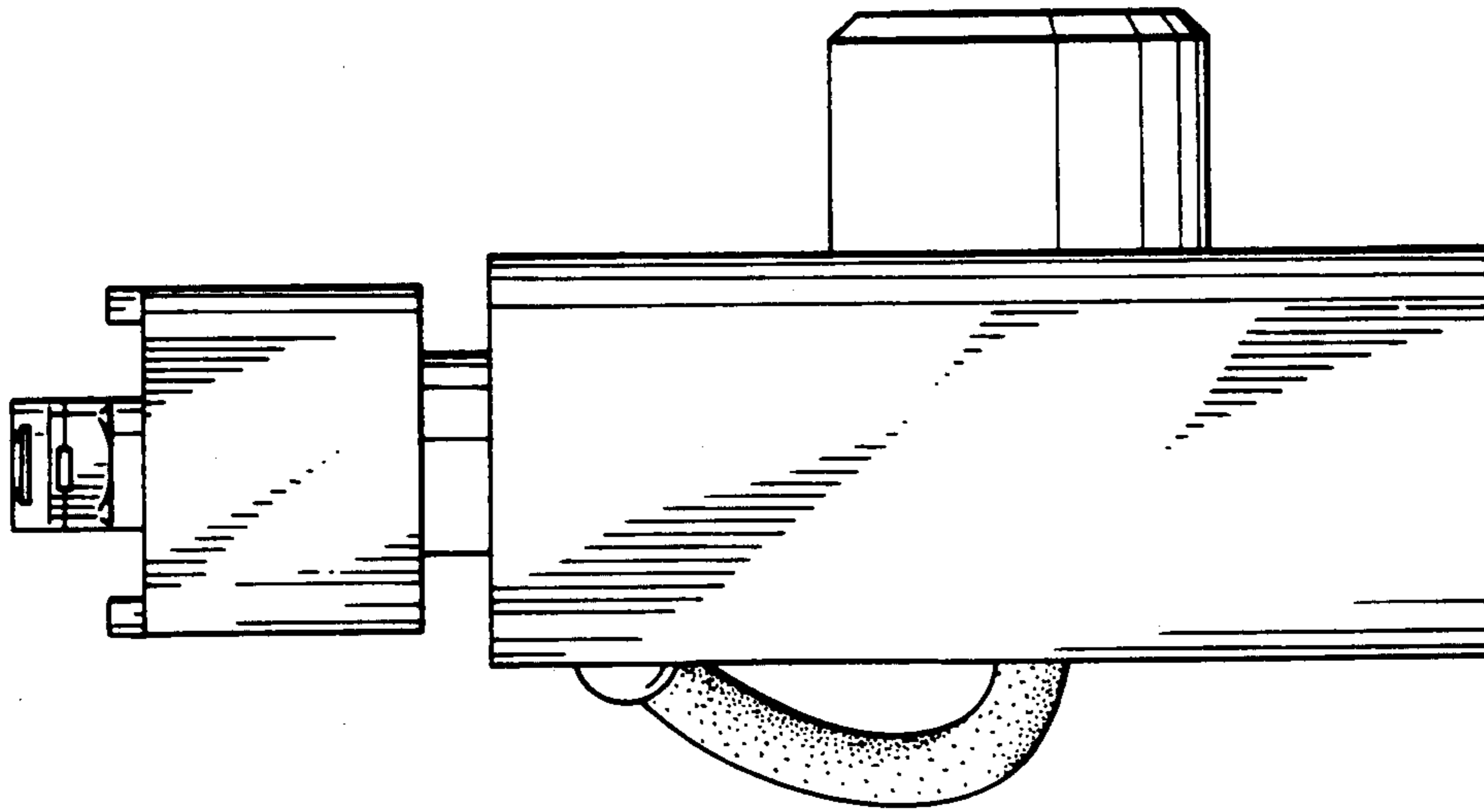


FIG. 5

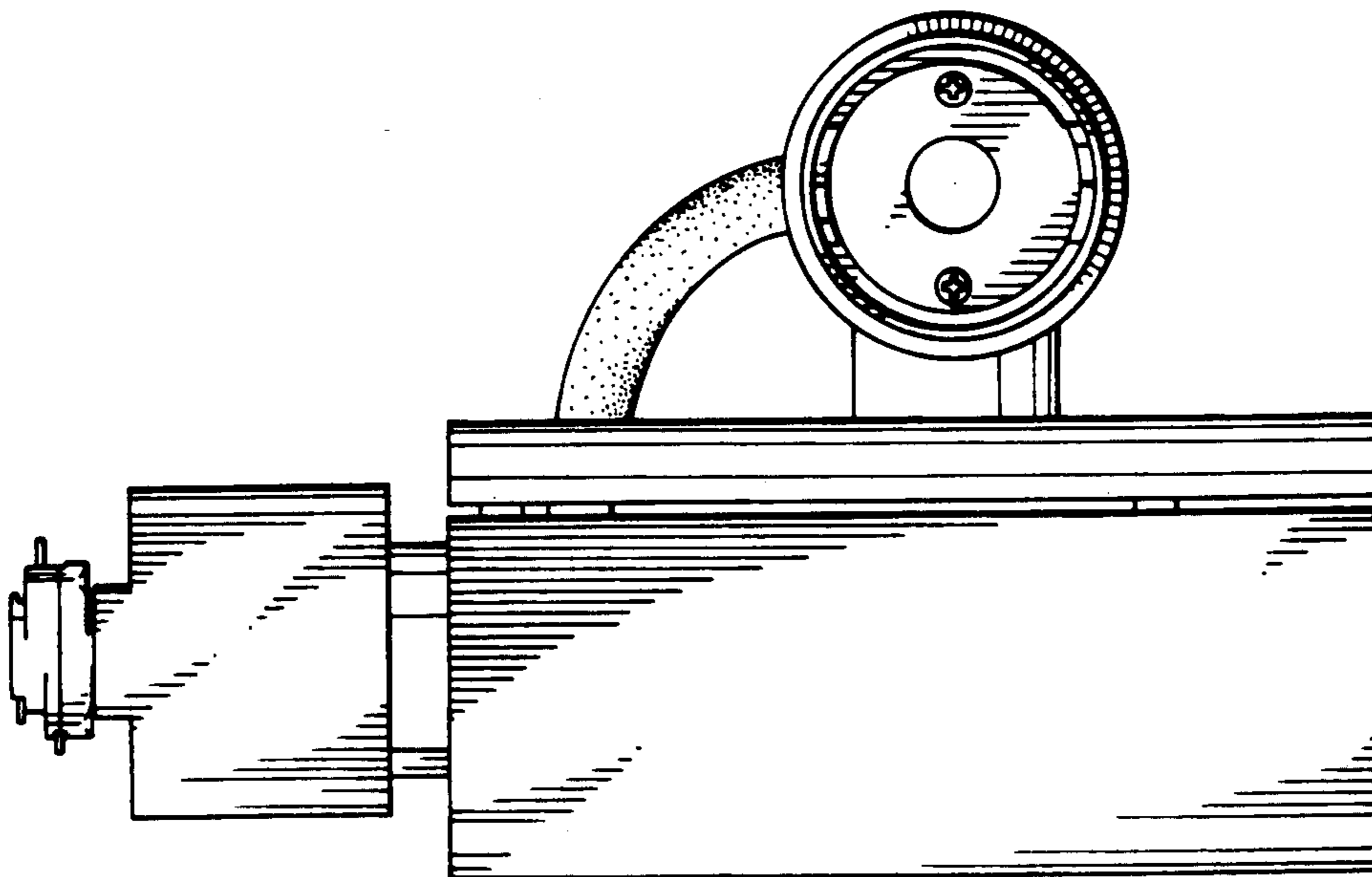


FIG. 4

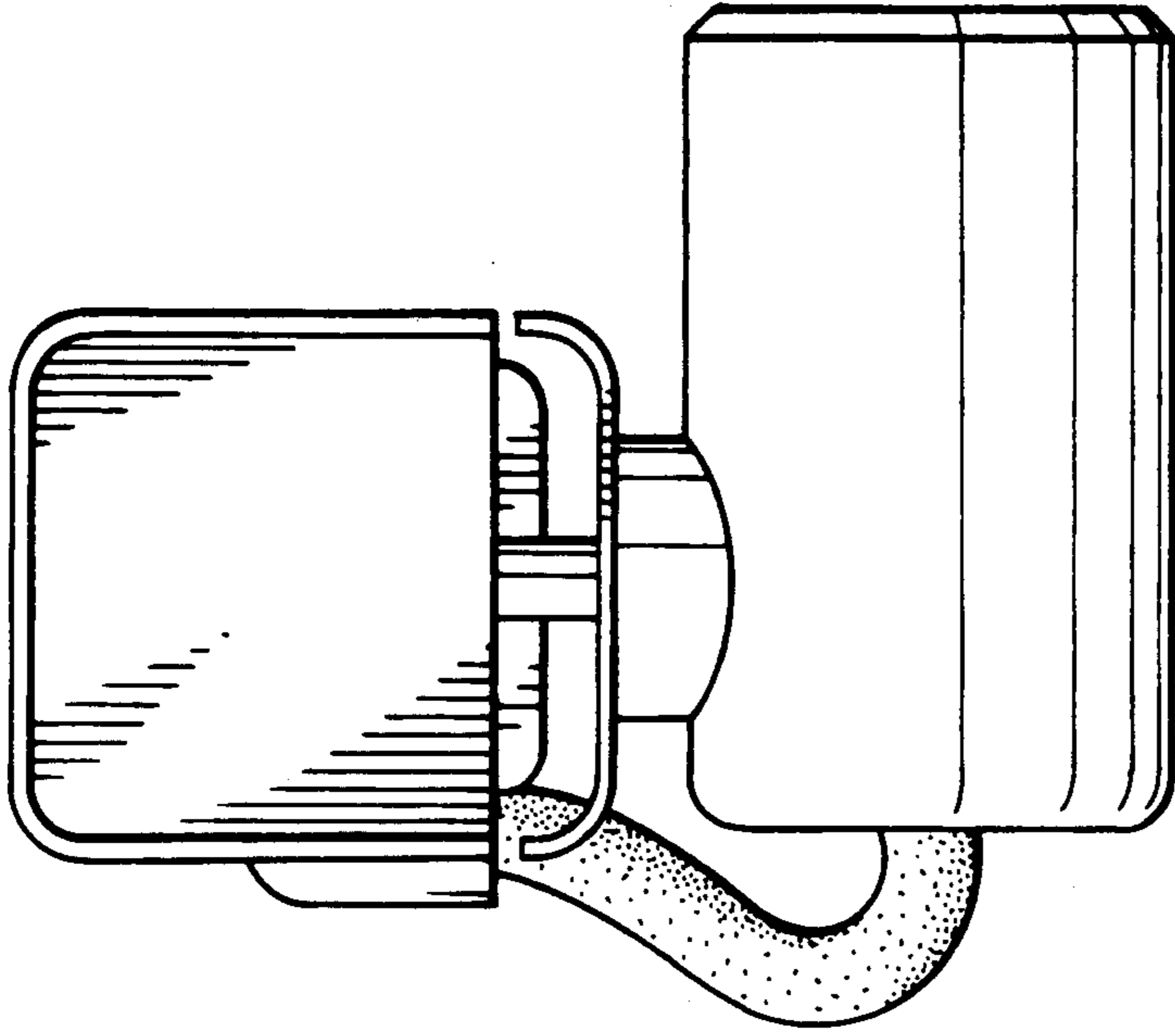


FIG. 7

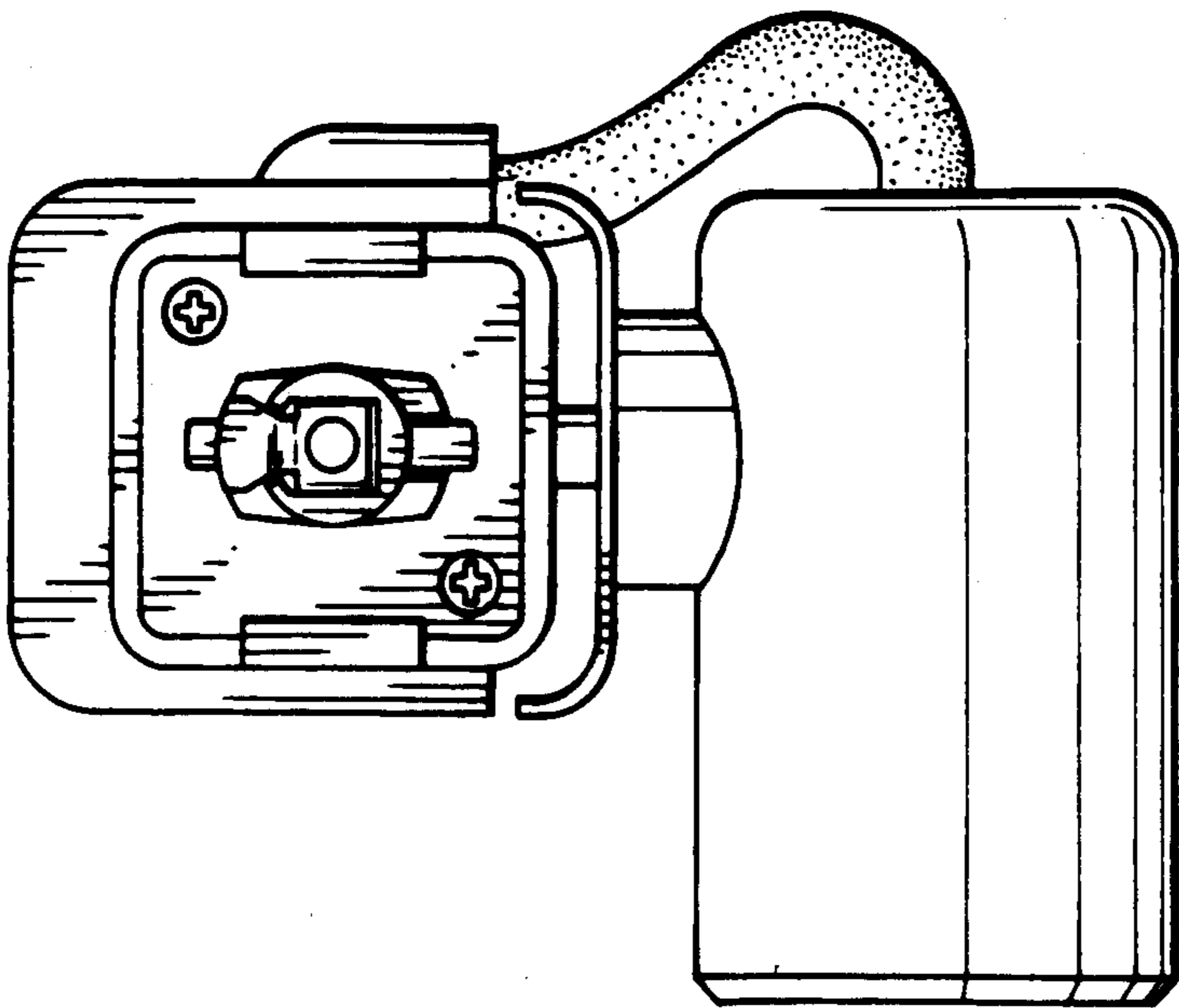


FIG. 6