

United States Patent [19]

Draxler

[11] Patent Number: **Des. 318,735**

[45] Date of Patent: **** Jul. 30, 1991**

[54] HEAD REST

[76] Inventor: **Donald J. Draxler, 6011 - #201 S.E. Martinique, Stuart, Fla. 34997**

[**] Term: **14 Years**

[21] Appl. No.: **433,719**

[22] Filed: **Nov. 8, 1989**

[52] U.S. Cl. **D24/183**

[58] Field of Search **D24/64; 5/431-437, 5/440-443, 446-448, 450, 451, 465; D6/339, 333, 329; D12/133**

[56] **References Cited**

U.S. PATENT DOCUMENTS

| | | | |
|-----------|--------|----------------|-------|
| 2,239,003 | 4/1941 | Jones | 5/435 |
| 2,551,727 | 5/1951 | Costello | 5/435 |
| 2,803,022 | 8/1957 | Wynkoop . | |
| 3,241,160 | 3/1966 | Escobar | 5/440 |

3,283,344 11/1966 Blanchard 5/440 X

3,337,863 8/1967 Allison .

4,757,983 7/1988 Ray et al. .

Primary Examiner—Stella Reid

Attorney, Agent, or Firm—Eckert Seamans Cherin & Mellott

[57] **CLAIM**

The ornamental design for a head rest, as shown and described.

DESCRIPTION

FIG. 1 is a perspective view of a head rest, showing my new design;
 FIG. 2 is a top plan view thereof;
 FIG. 3 is a bottom plan view thereof;
 FIG. 4 is a side elevational view thereof, the opposite side elevational view being identical;
 FIG. 5 is a rear elevational view thereof; and
 FIG. 6 is a front elevational view thereof;

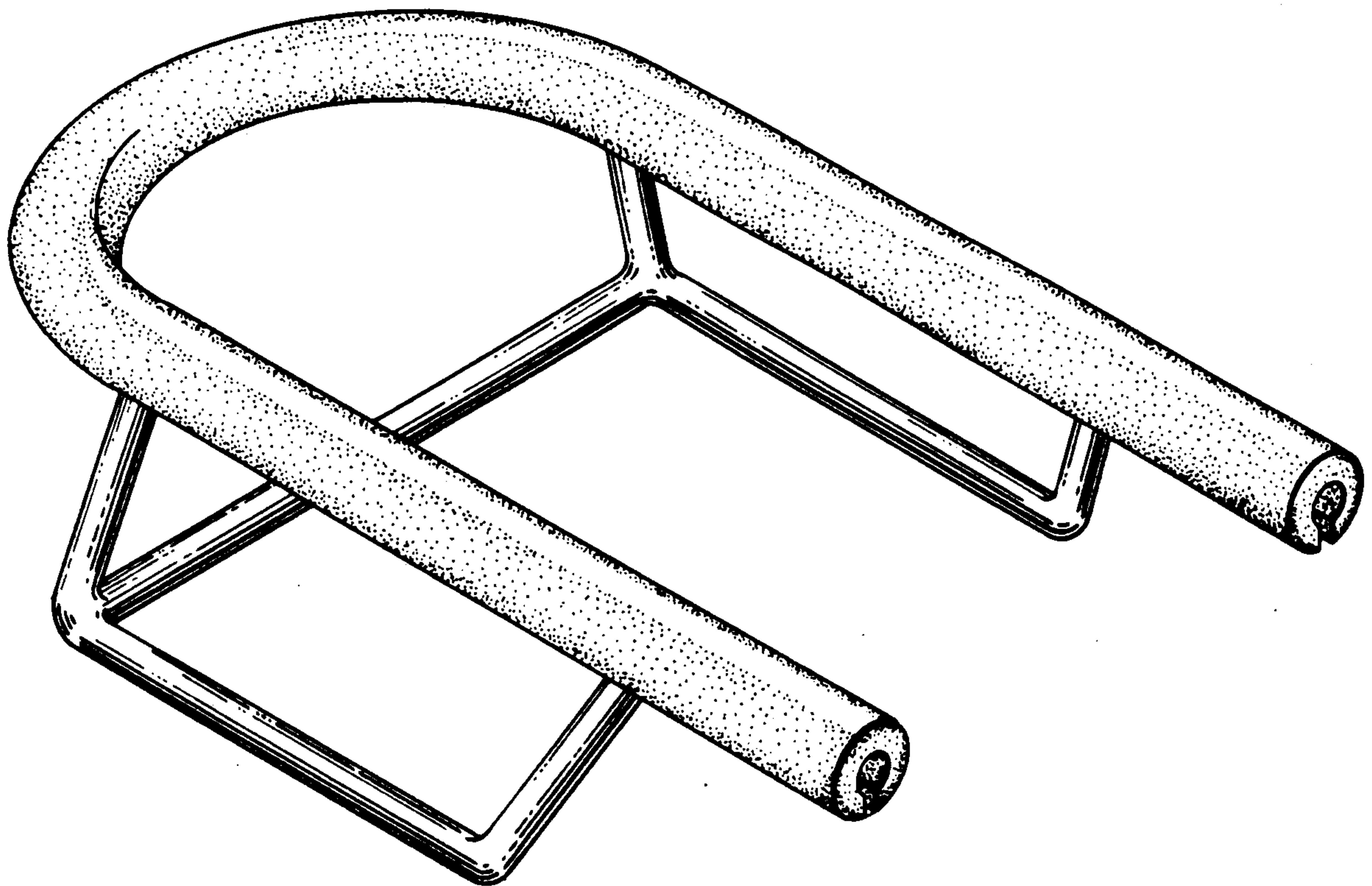


FIG. 1

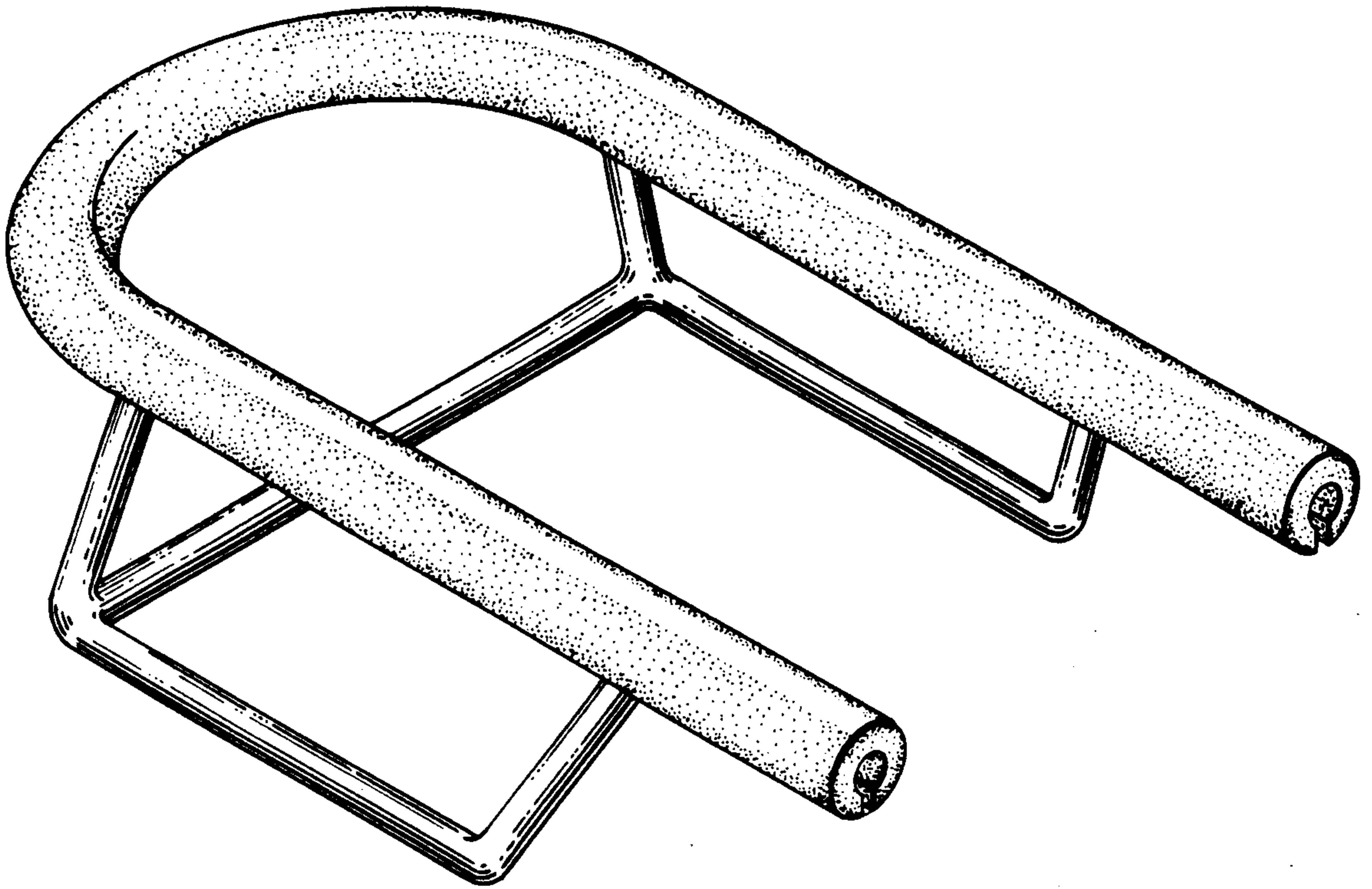


FIG. 2

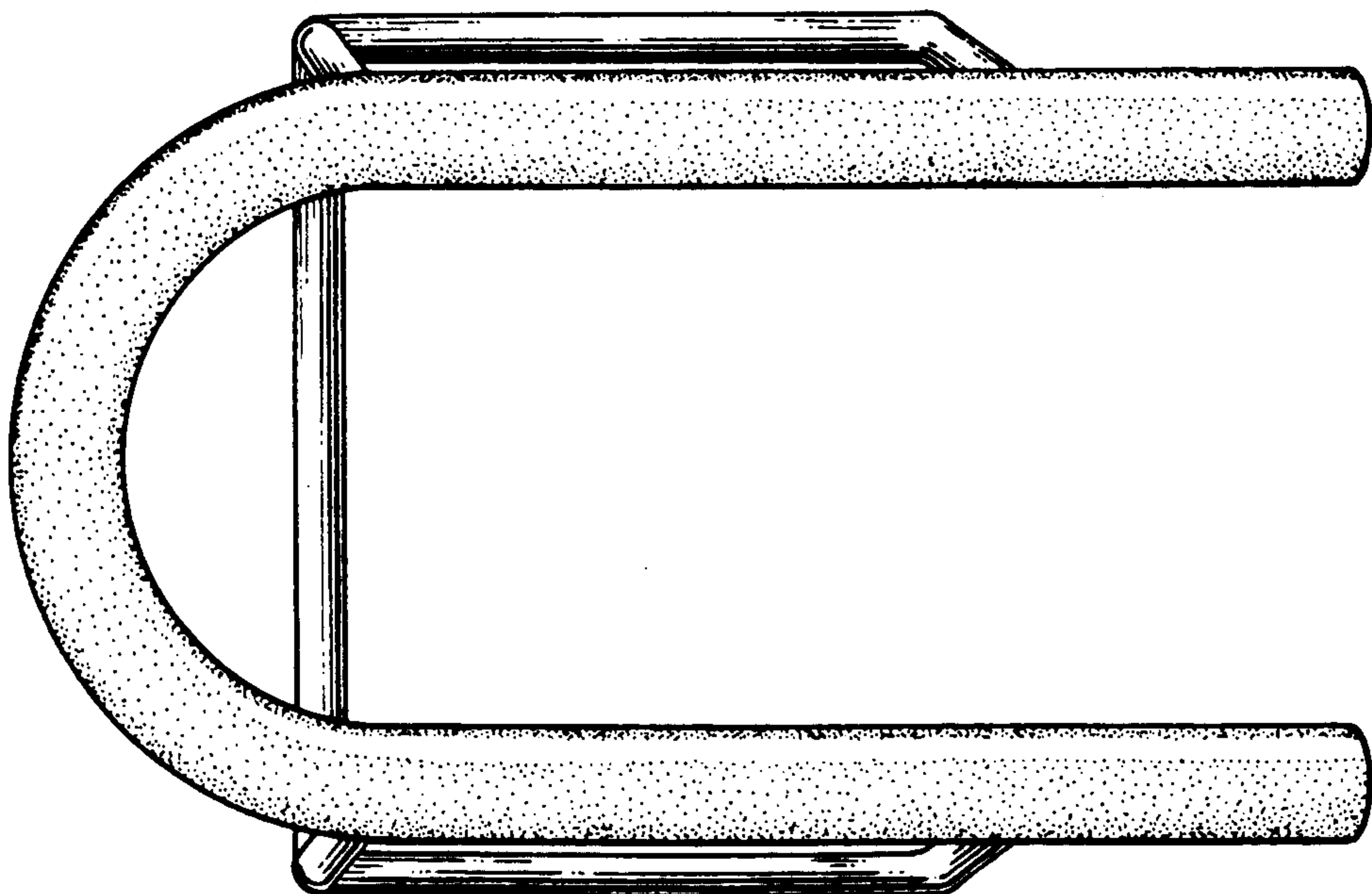


FIG. 3

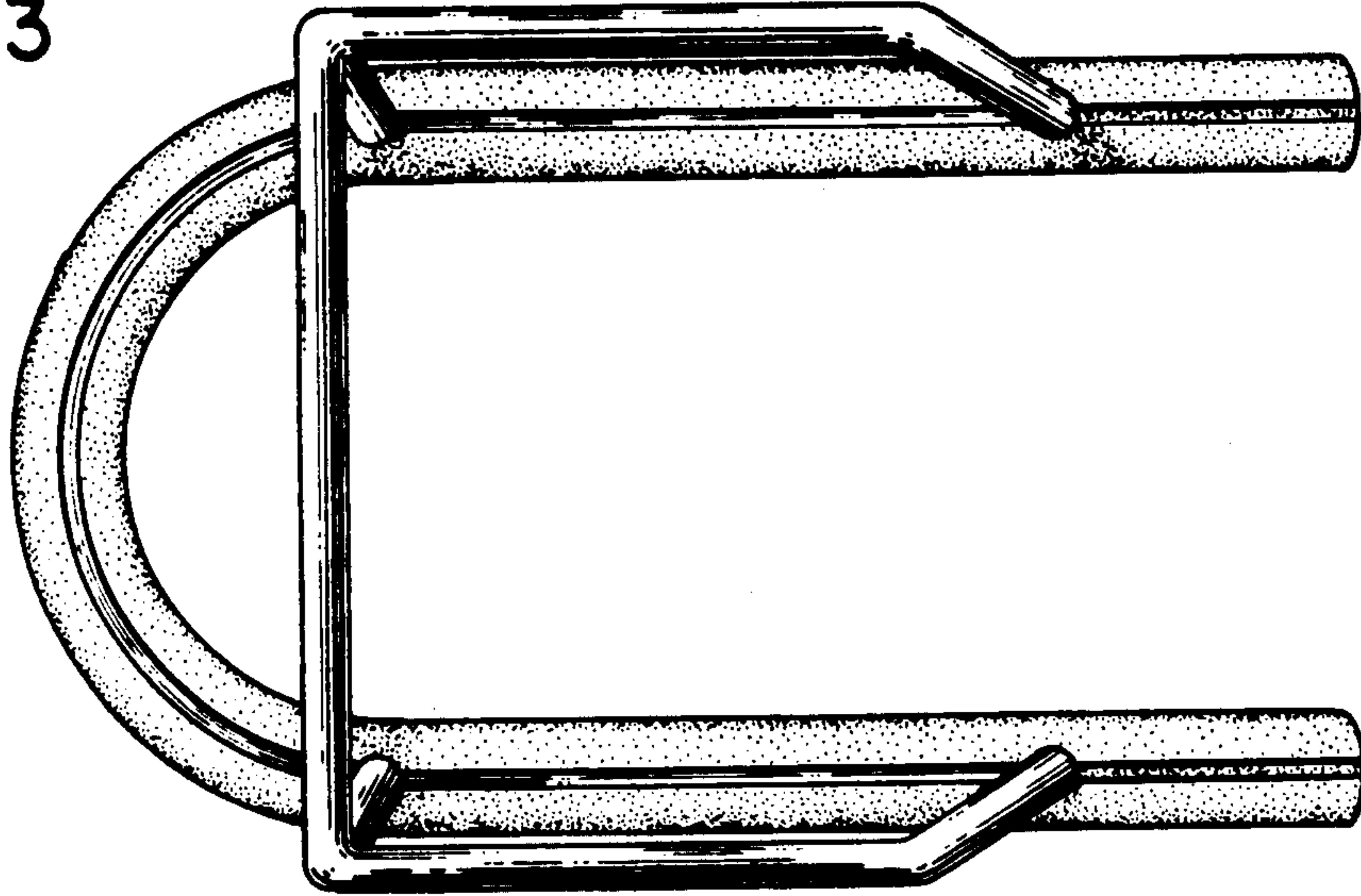


FIG. 4

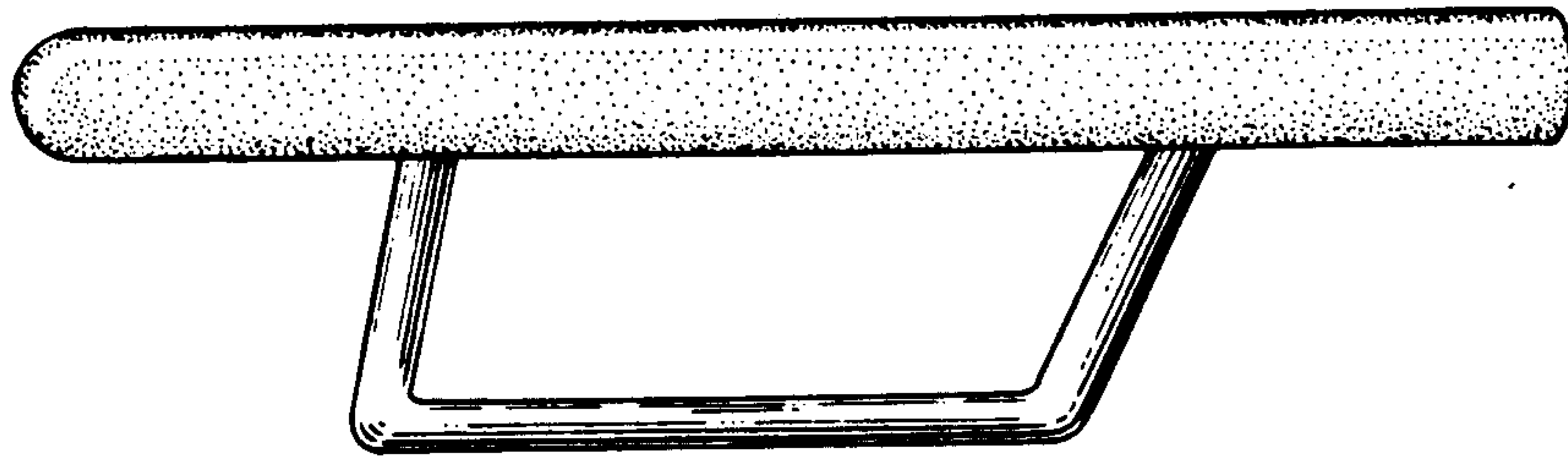


FIG. 5

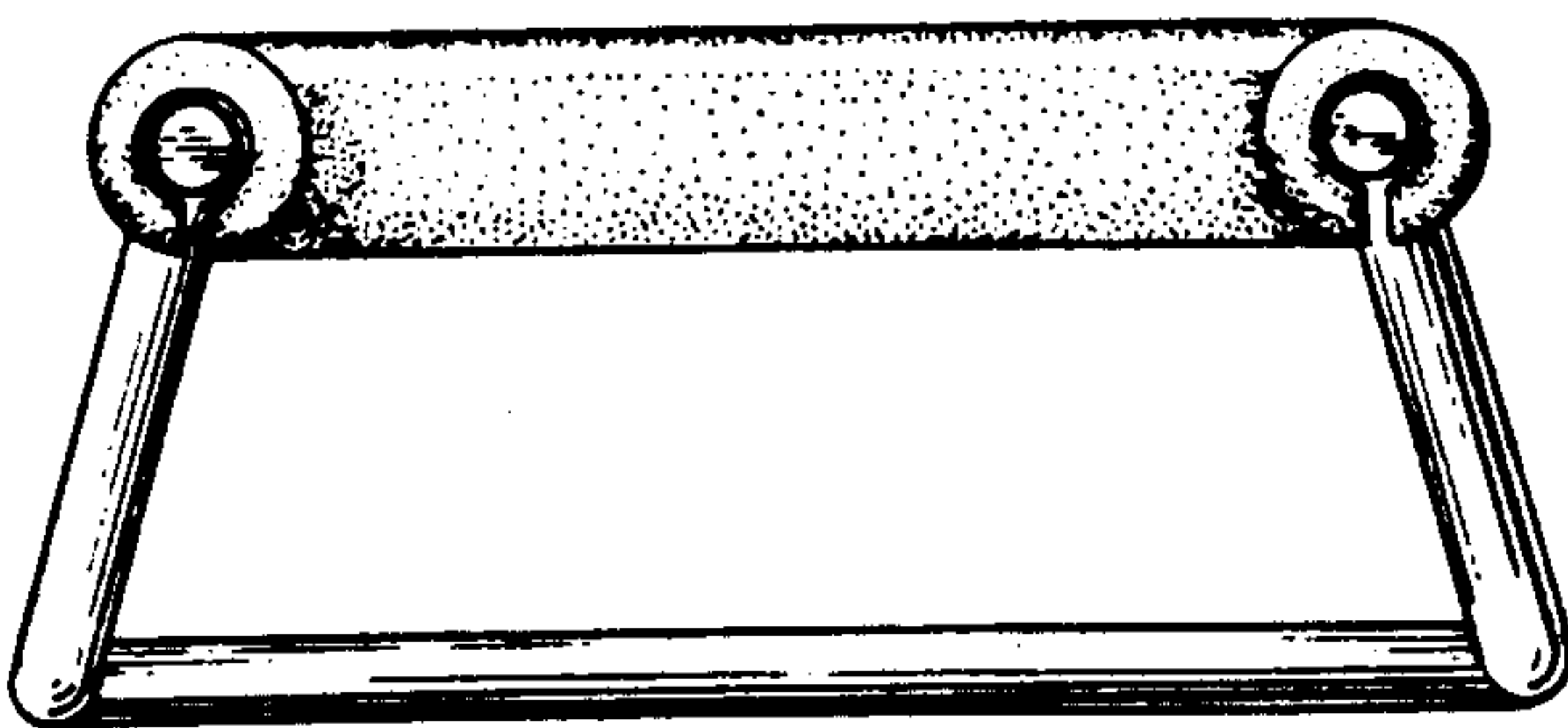


FIG. 6

