

[54] PLUMBING FIXTURE COVER

[75] Inventors: Herbert V. Kohler, Jr., Kohler; Mary J. Reid, Sheboygan, both of Wis.

[73] Assignee: Kohler Co., Kohler, Wis.

[\*\*] Term: 14 Years

[21] Appl. No.: 144,437

[22] Filed: Jan. 12, 1988

[52] U.S. Cl. .... D23/311

[58] Field of Search ..... D23/270, 271, 273, 274, D23/295-301, 311, 312; 4/234-236, 300, 321, 329, 330

[56] References Cited

U.S. PATENT DOCUMENTS

D. 169,590	5/1953	Hauser	.....	D23/311
D. 193,325	8/1962	Frankel	.....	D23/299
D. 213,958	4/1969	Ruggles	.....	D23/295
D. 233,150	10/1974	Workman	.....	D23/299
D. 236,120	7/1975	O'Neil	.....	D23/311
D. 245,620	8/1977	Berry	.....	
D. 262,486	12/1981	Boyter	.....	D23/311
D. 275,599	9/1984	Enthoven	.....	D23/295 X
D. 277,500	2/1985	McGill	.....	D23/311
D. 288,592	3/1987	Stairs, Jr.	.....	D23/311
D. 292,432	10/1987	Rasmussen	.....	D23/311
532,656	1/1895	Fryer	.....	D23/311 X
1,527,340	2/1925	Wood	.....	D23/299 X
3,820,175	6/1974	Waldon	.....	4/236
4,228,554	10/1980	Tumminaro	.....	4/300 X
4,433,443	2/1984	DeGraw et al.	.....	4/321 X

OTHER PUBLICATIONS

Page 14 of a brochure showing a "Galleria" toilet cover, undated.

Page 2 of a 1982 Ideal Standard ad showing the Pierre Cardin fixtures.

A Ceramica ad showing the Epoca cover, undated.

A Ceramica ad showing the Europa toilet, undated.

An ad showing the Solida toilet cover, undated.

Primary Examiner—James R. Largen

Attorney, Agent, or Firm—Quarles & Brady

[57] CLAIM

The ornamental design for a plumbing fixture cover, as shown and described.

DESCRIPTION

FIG. 1 is a perspective view taken from the top, front and right side of a plumbing fixture cover showing our new design;

FIG. 2 is a top plan view thereof;

FIG. 3 is a right side elevational view thereof, the left side being a mirror image of the right side shown;

FIG. 4 is a front elevational view thereof;

FIG. 5 is a rear elevational view thereof;

FIG. 6 is a bottom plan view thereof;

FIG. 7 is a perspective view taken from the top, front and right side of a second embodiment thereof;

FIG. 8 is a top plan view of FIG. 7;

FIG. 9 is a right side elevational view of FIG. 7, the left side being a mirror image of the right side shown;

FIG. 10 is a front elevational view of FIG. 7;

FIG. 11 is a rear elevational view of FIG. 7; and

FIG. 12 is a bottom plan view of FIG. 7.

The broken line representation of a toilet in FIG. 1 and a bidet in FIG. 7 are for purposes of illustration only and form no part of the claimed design.

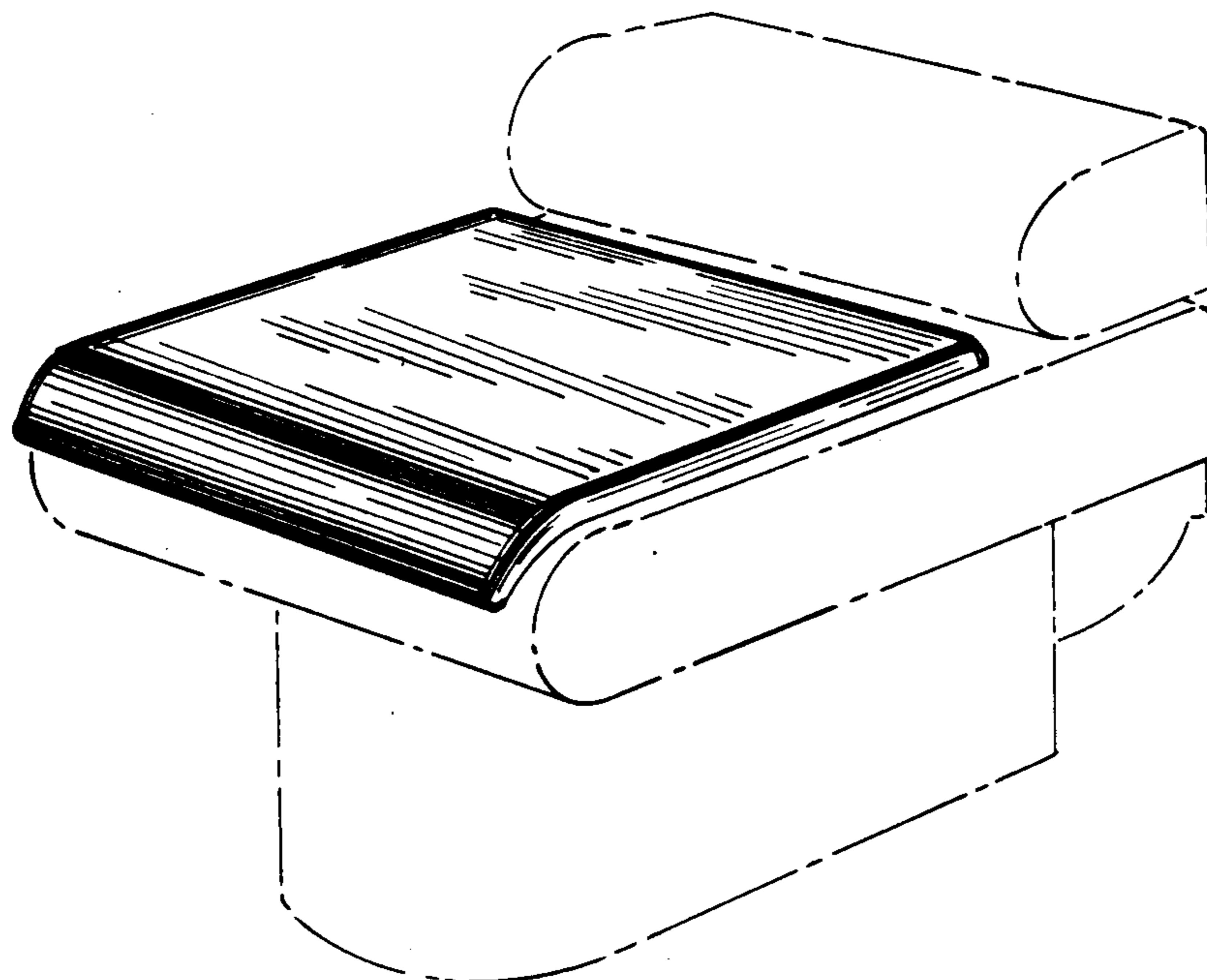


FIG. 1

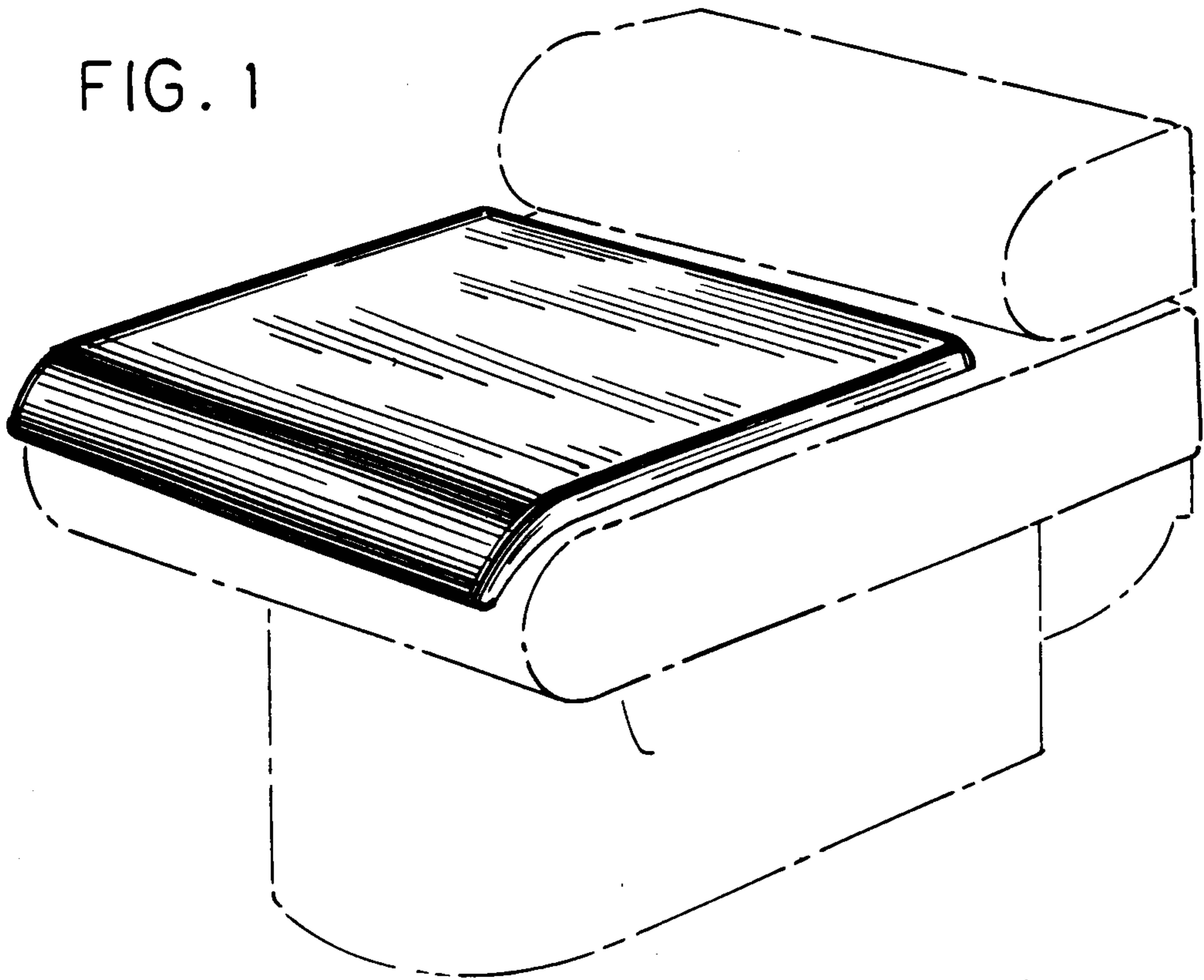
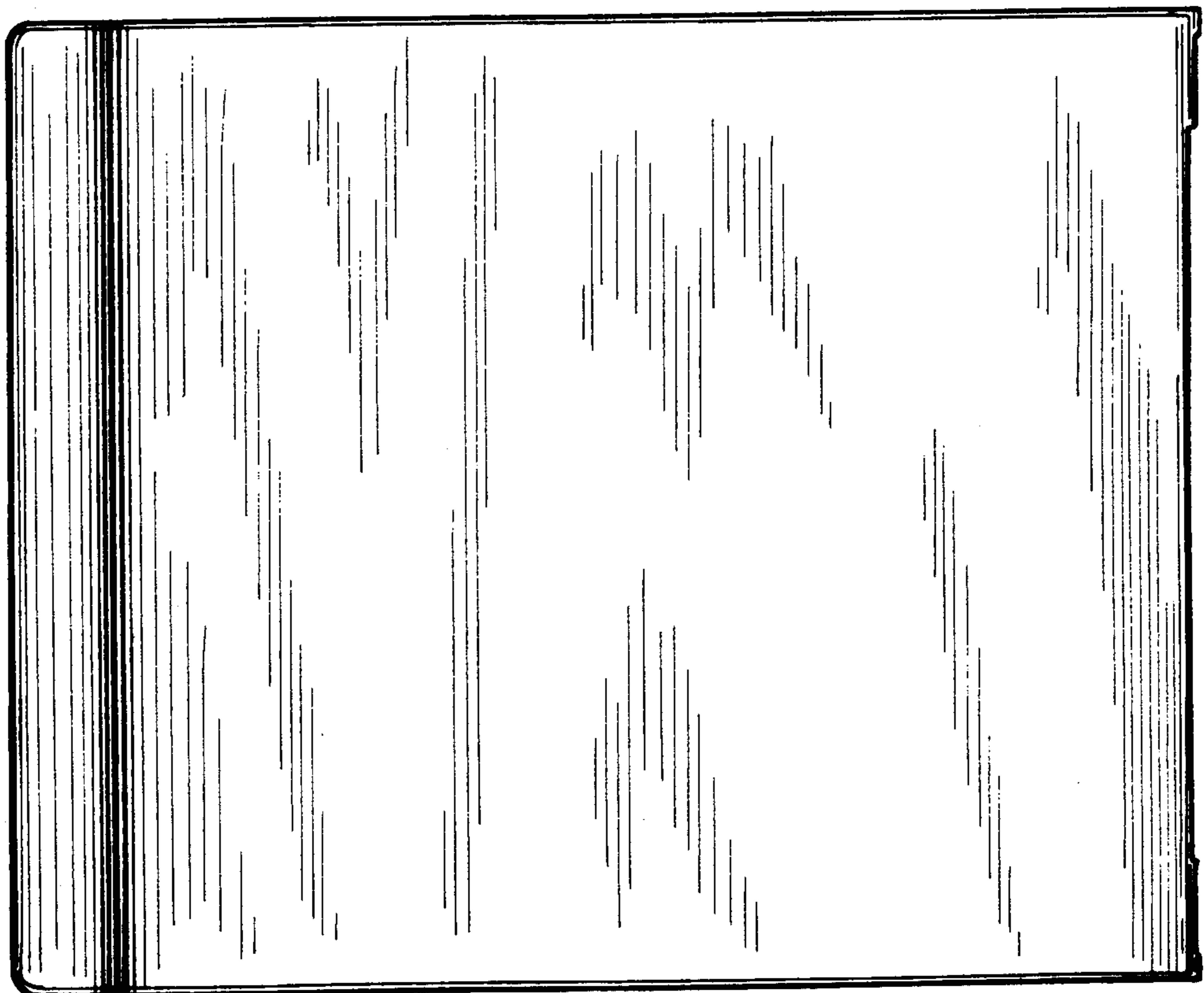


FIG. 2



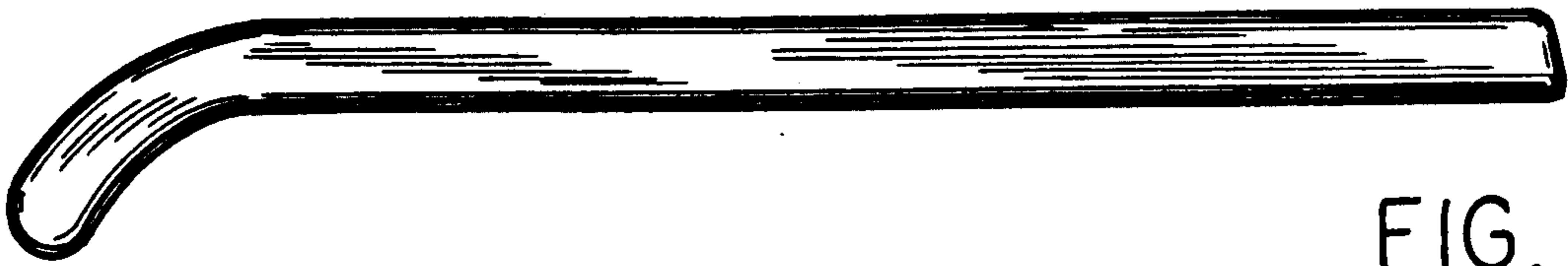


FIG. 3

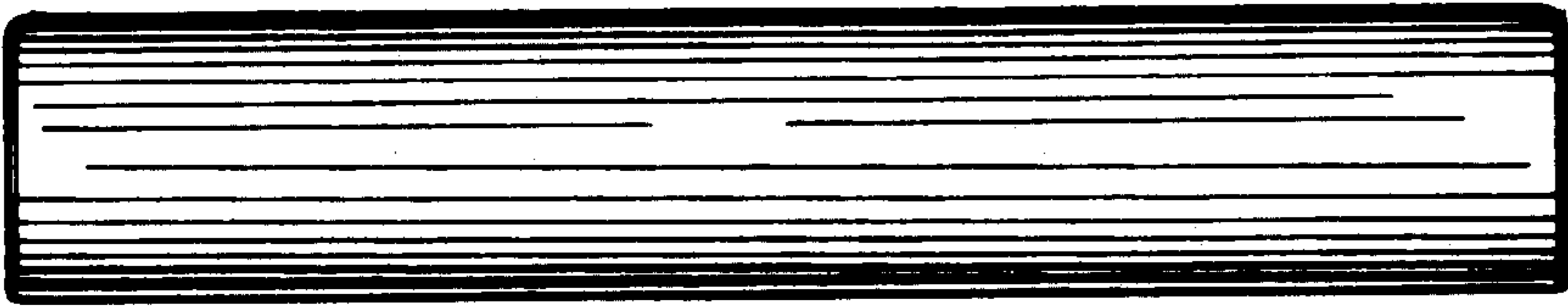


FIG. 4

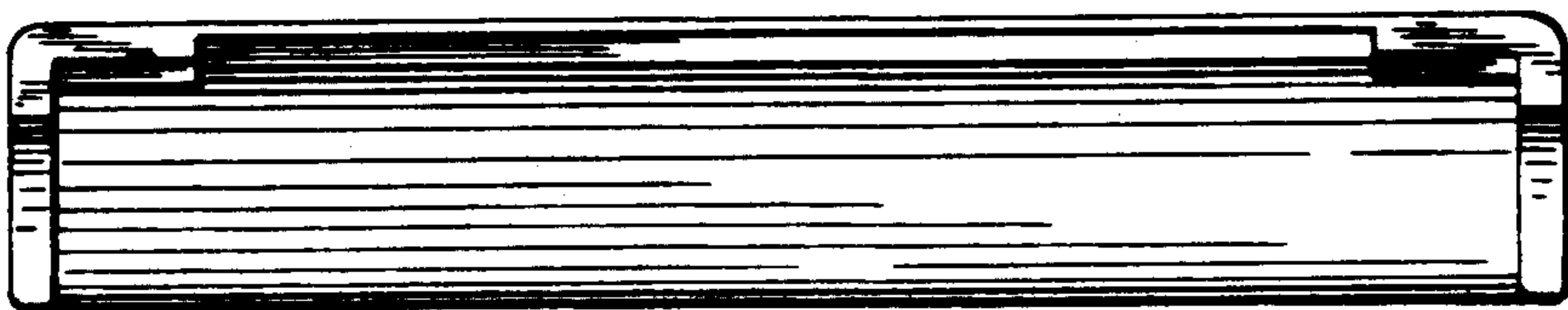


FIG. 5

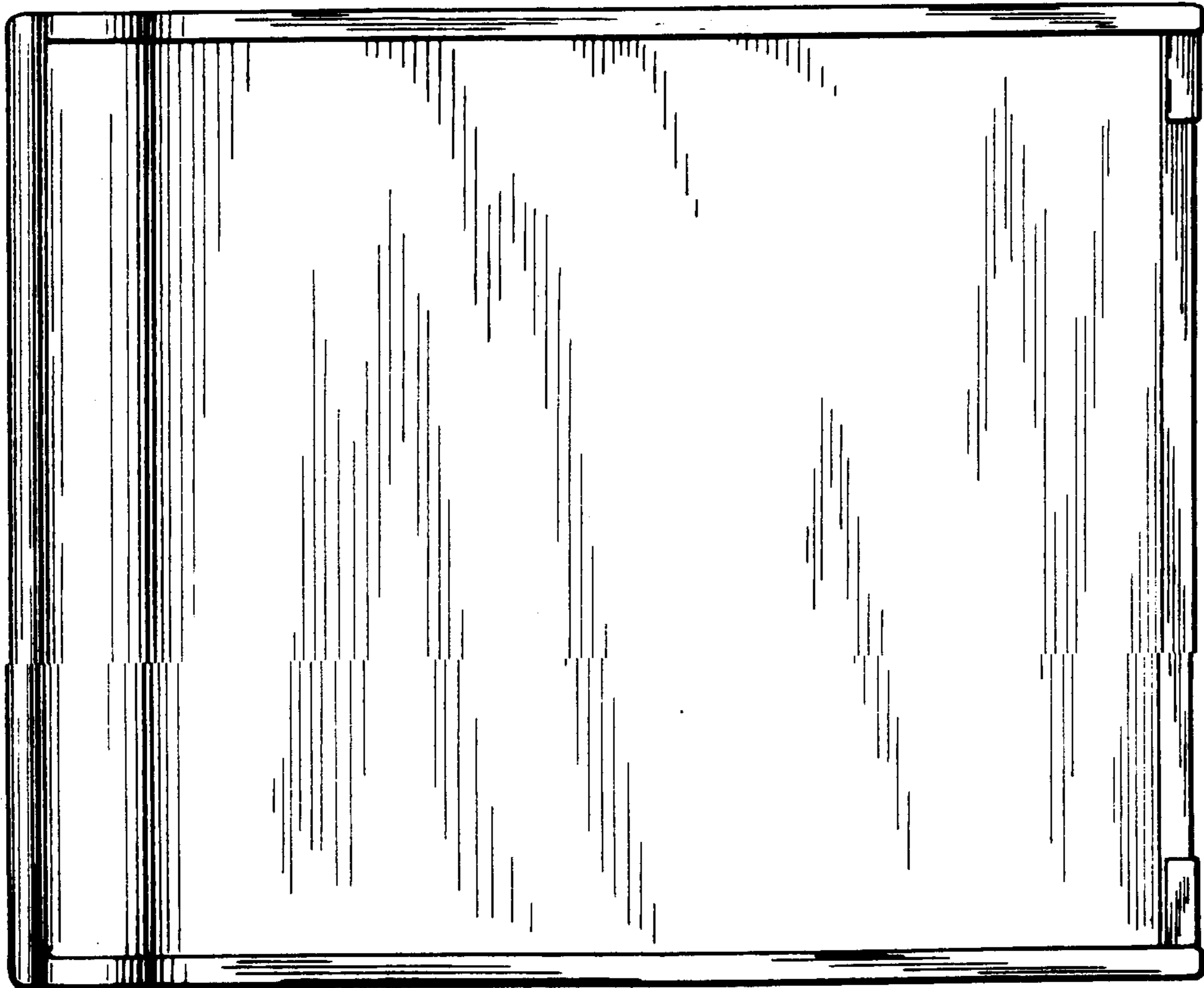


FIG. 6

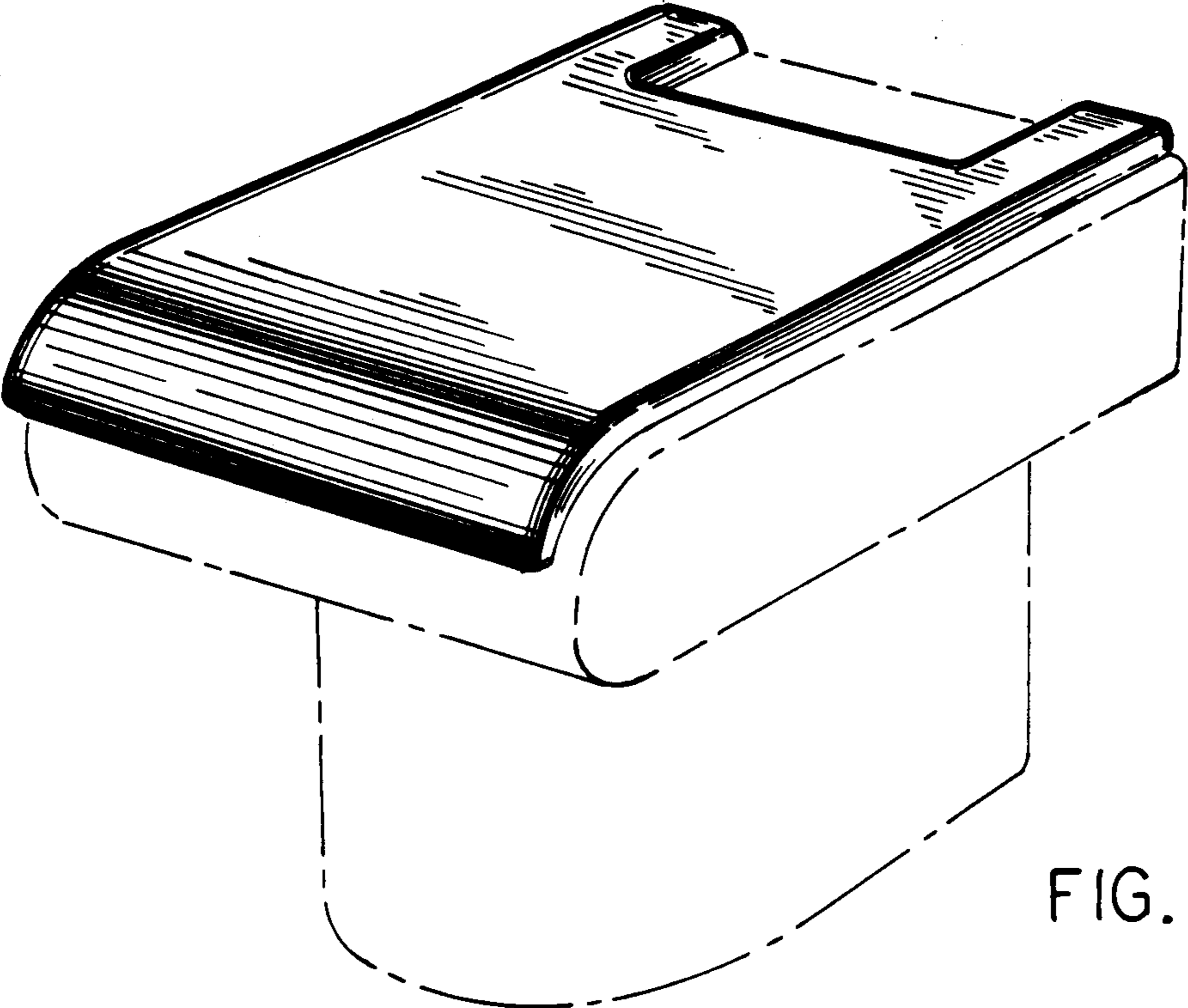


FIG. 7

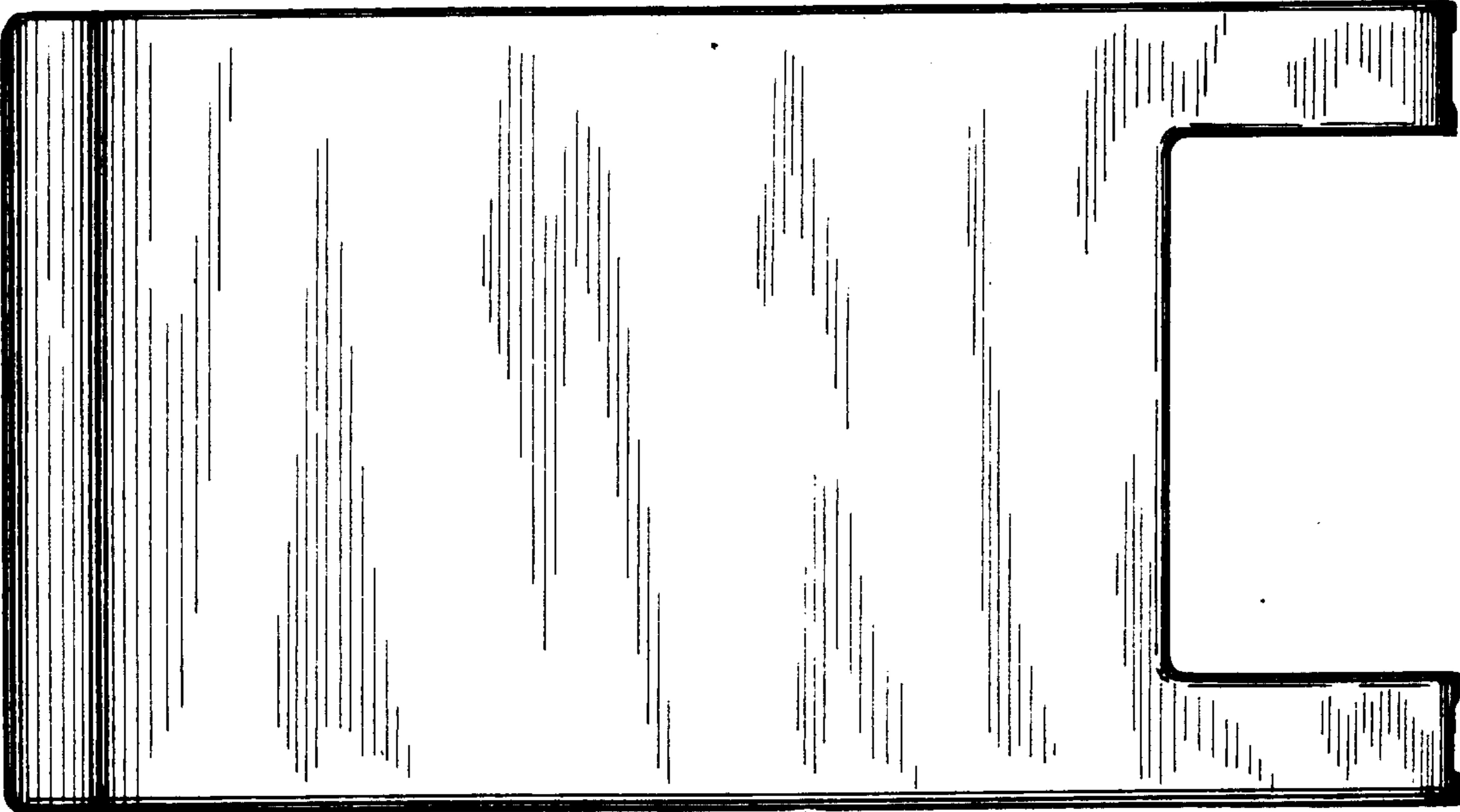


FIG. 8

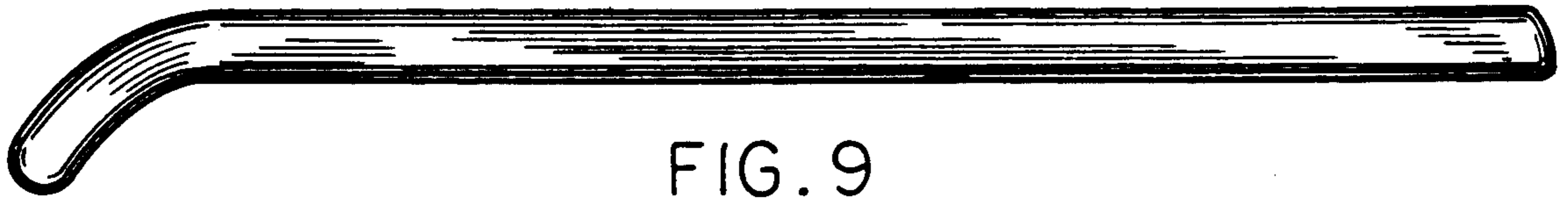


FIG. 9

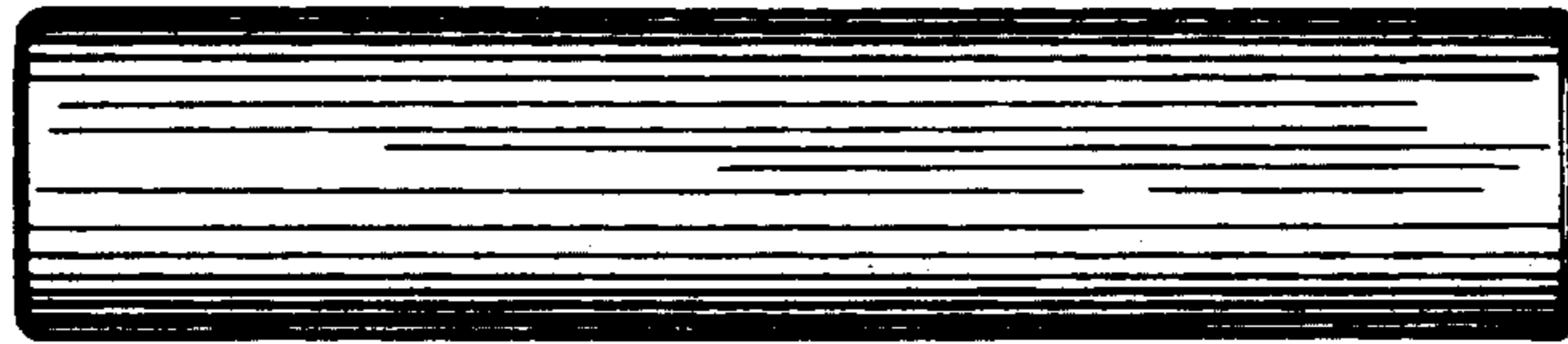


FIG. 10

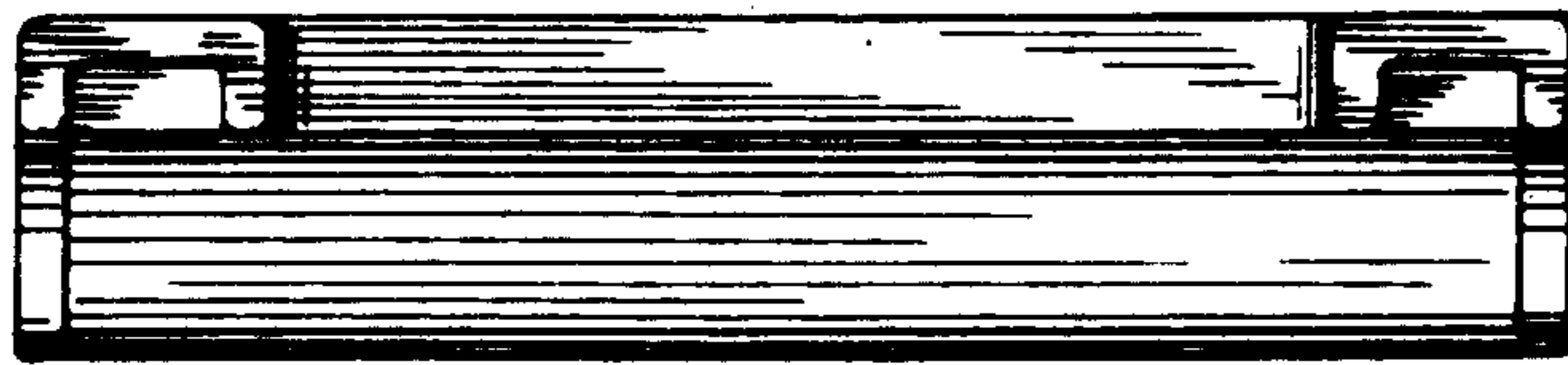


FIG. 11

FIG. 12

