

[54] QUICK DISCONNECT COUPLING

[76] Inventor: John A. Blatt, 47 Willison, Grosse Pointe Shores, Mich. 48236

[**] Term: 14 Years

[21] Appl. No.: 240,575

[22] Filed: Sep. 6, 1988

[52] U.S. Cl. D23/262; D13/158

[58] Field of Search 285/38, 312, 137.1; 212/177; D23/260-264; D13/133, 158

[56] References Cited

U.S. PATENT DOCUMENTS

D. 167,662	9/1952	Ulrich	D23/262
D. 214,272	5/1969	Pautrie	D23/265
D. 254,505	3/1980	Parsons et al.	D23/262
D. 847,718	3/1987	Ambos .	
1,011,284	12/1911	Litz et al.	285/176
1,175,438	3/1916	Gzupkaytie	285/320
1,175,532	3/1916	Lambkin	285/249
1,261,687	4/1918	Brandon	285/312
1,527,804	2/1925	Kunst et al. .	
1,594,224	7/1926	Strongson .	
2,444,414	7/1948	Anderson et al.	285/312

3,314,698	4/1967	Owens	285/312
3,345,086	10/1967	Wallace	285/137.1
3,937,498	2/1976	Weinhold	285/137.1
4,111,410	9/1978	Welcker	285/312
4,543,993	10/1985	Calvin et al.	137/614.03
4,596,415	6/1986	Blatt	294/88
4,618,171	10/1986	Fahl	285/312
4,733,692	3/1988	Kotake et al.	137/614.13

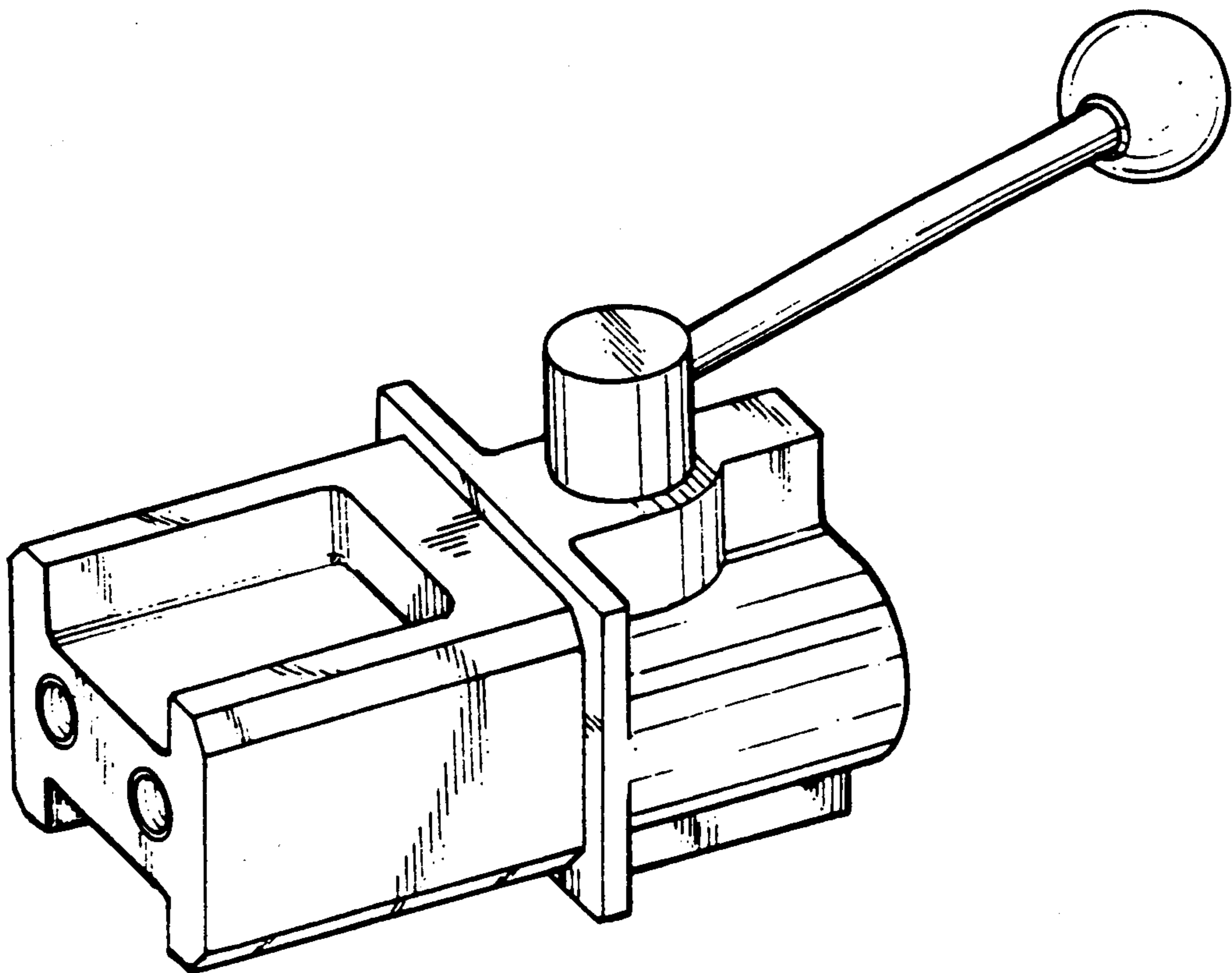
Primary Examiner—A. Hugo Word
Assistant Examiner—Demetrius Reynolds
Attorney, Agent, or Firm—Basile and Hanlon

[57] CLAIM

The ornamental design for a quick disconnect coupling, as shown and described.

DESCRIPTION

FIG. 1 is a right side elevational view of a quick disconnect coupling showing my new design; FIG. 2 is a left side elevational view thereof; FIG. 3 is a top plan view thereof; FIG. 4 is a bottom plan view thereof; FIG. 5 is a rear elevational view thereof; FIG. 6 is a front elevational view thereof; and FIG. 7 is a perspective view taken from the top, front and the right side thereof.



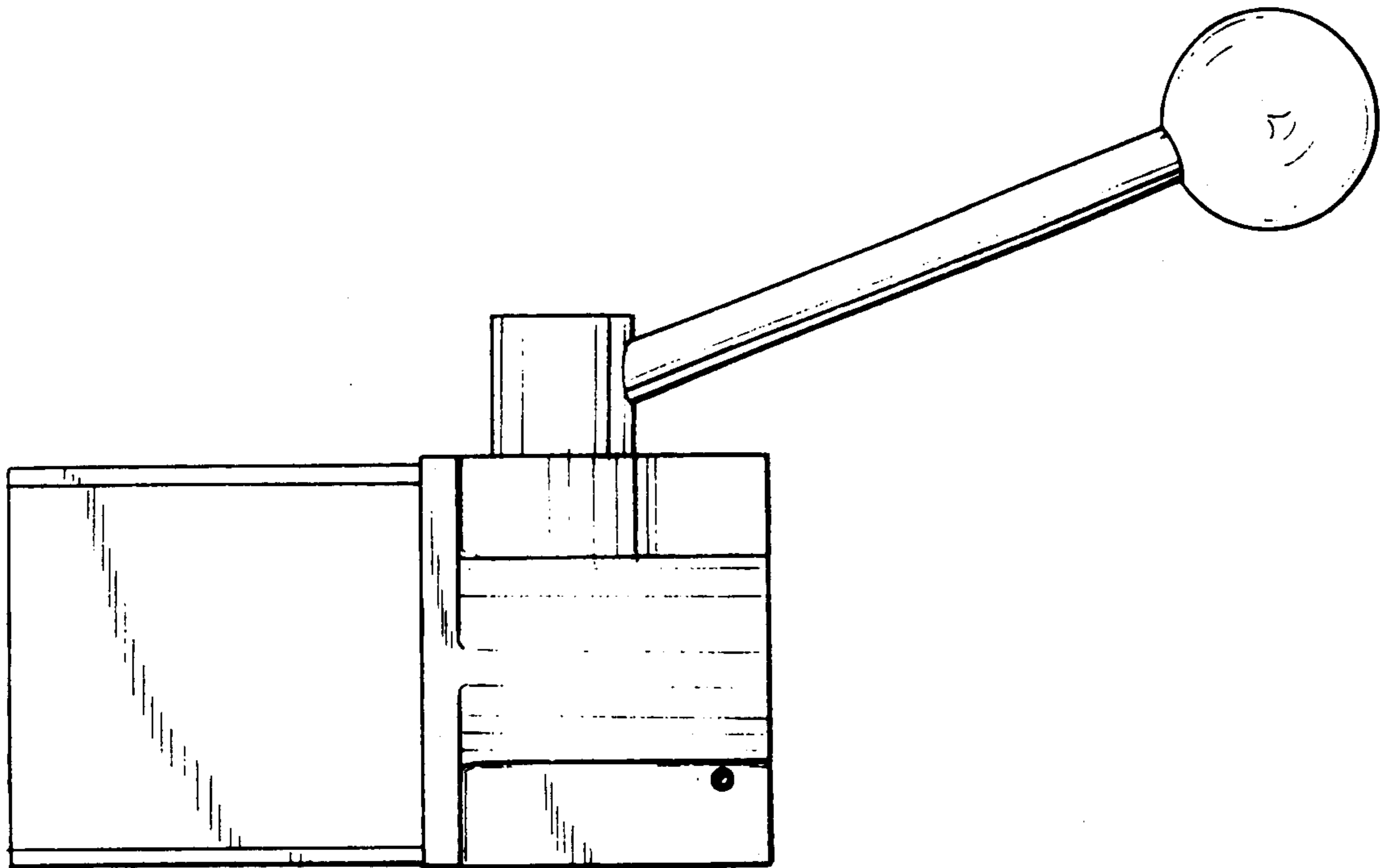


FIG -1

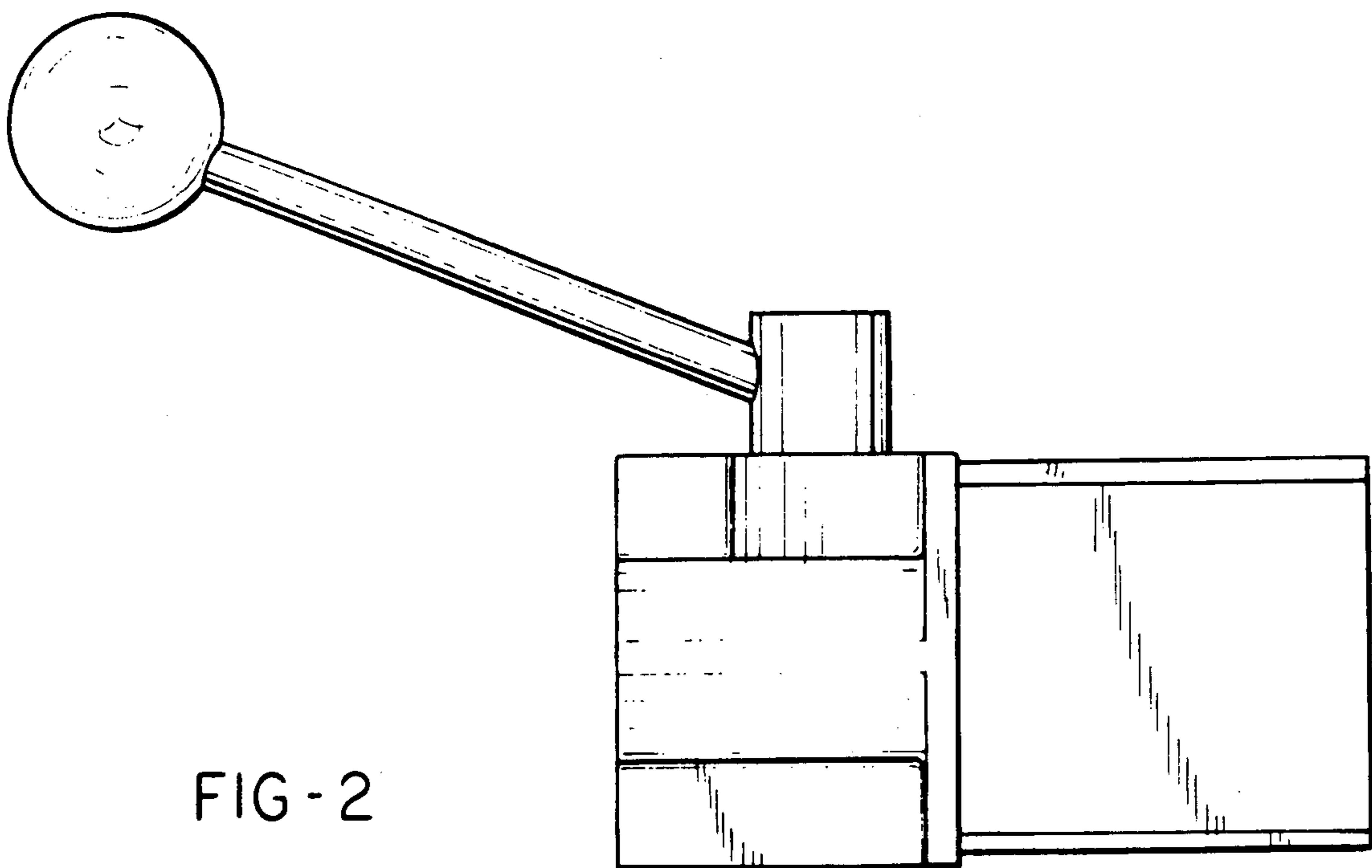


FIG -2

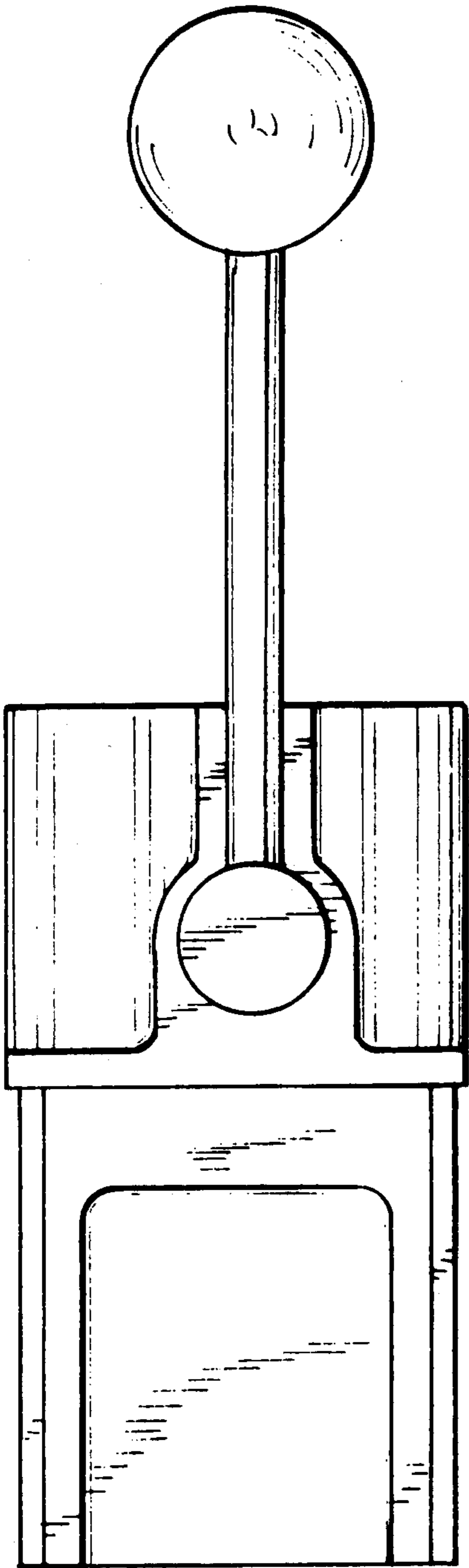


FIG-3

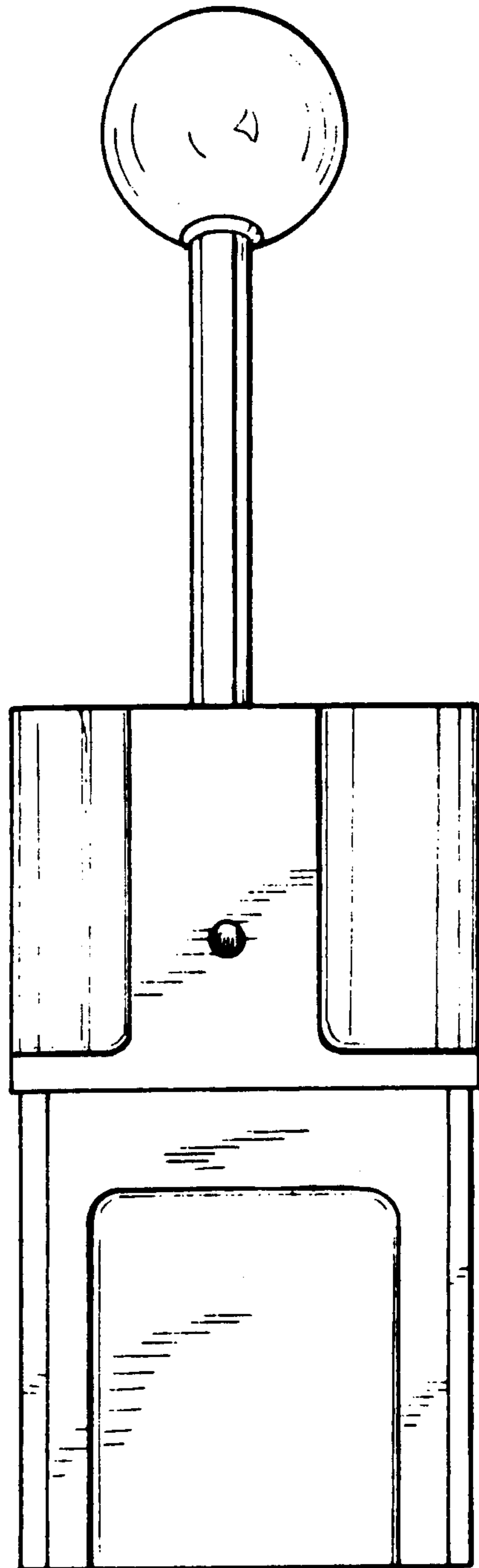


FIG-4

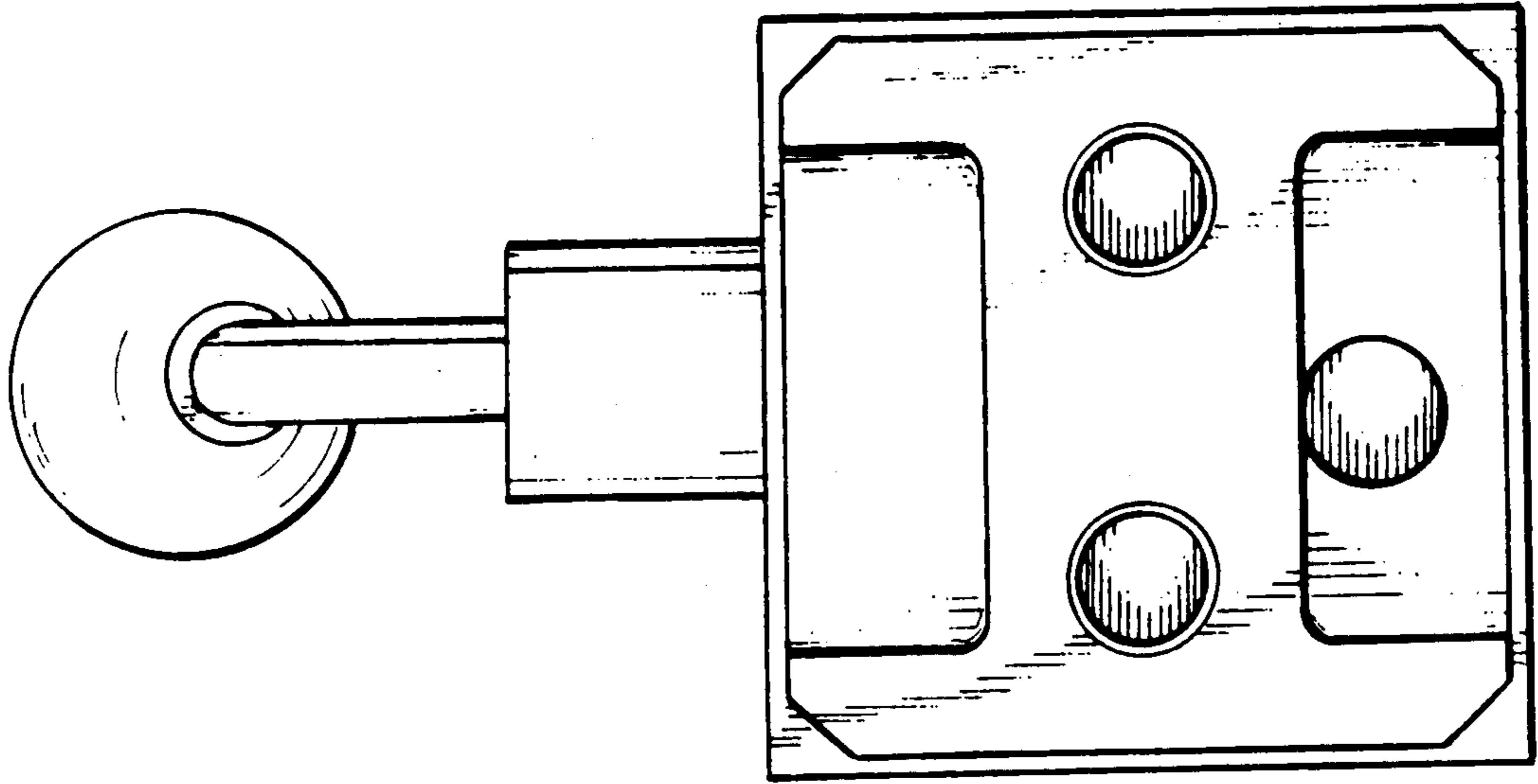


FIG-6

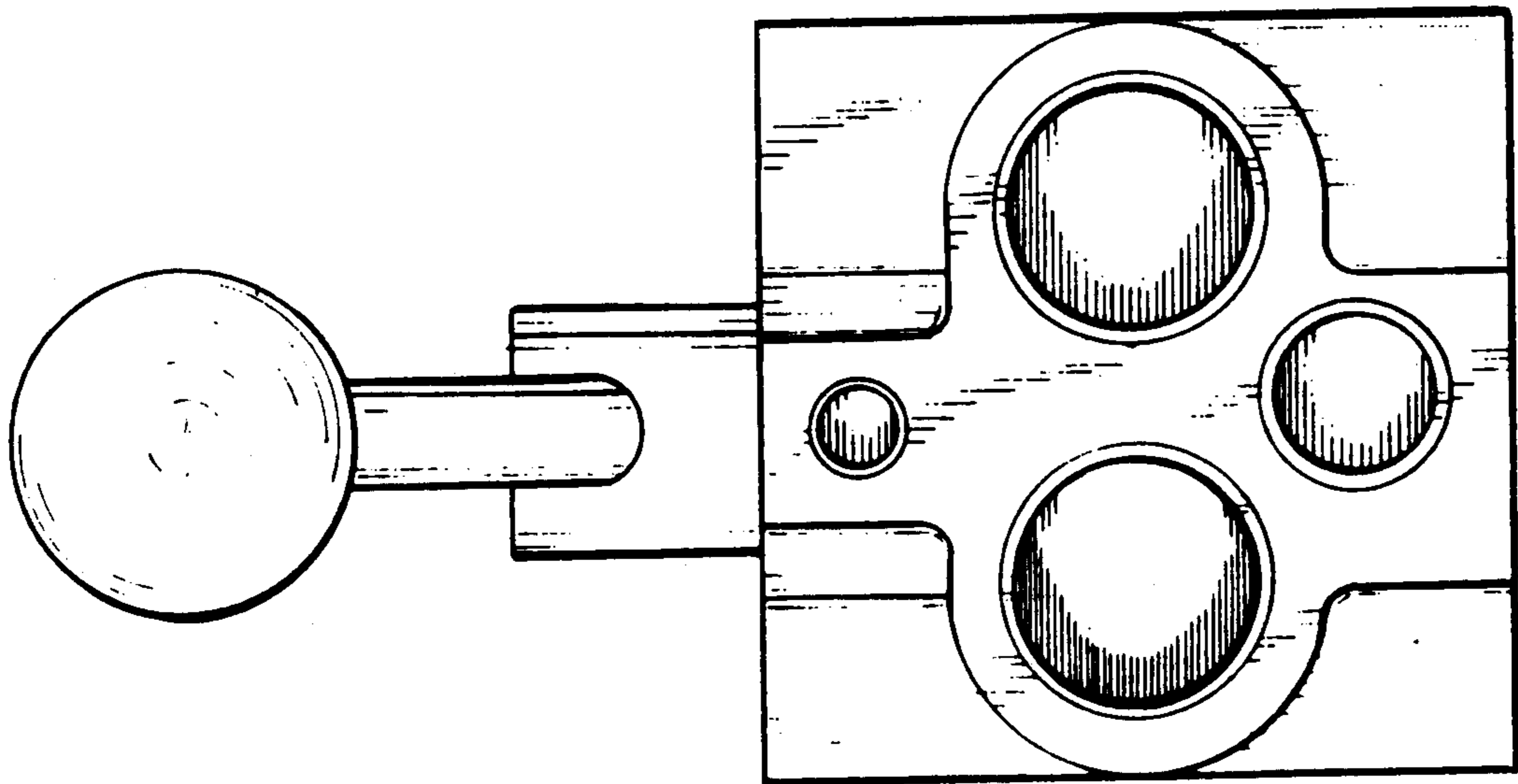


FIG-5

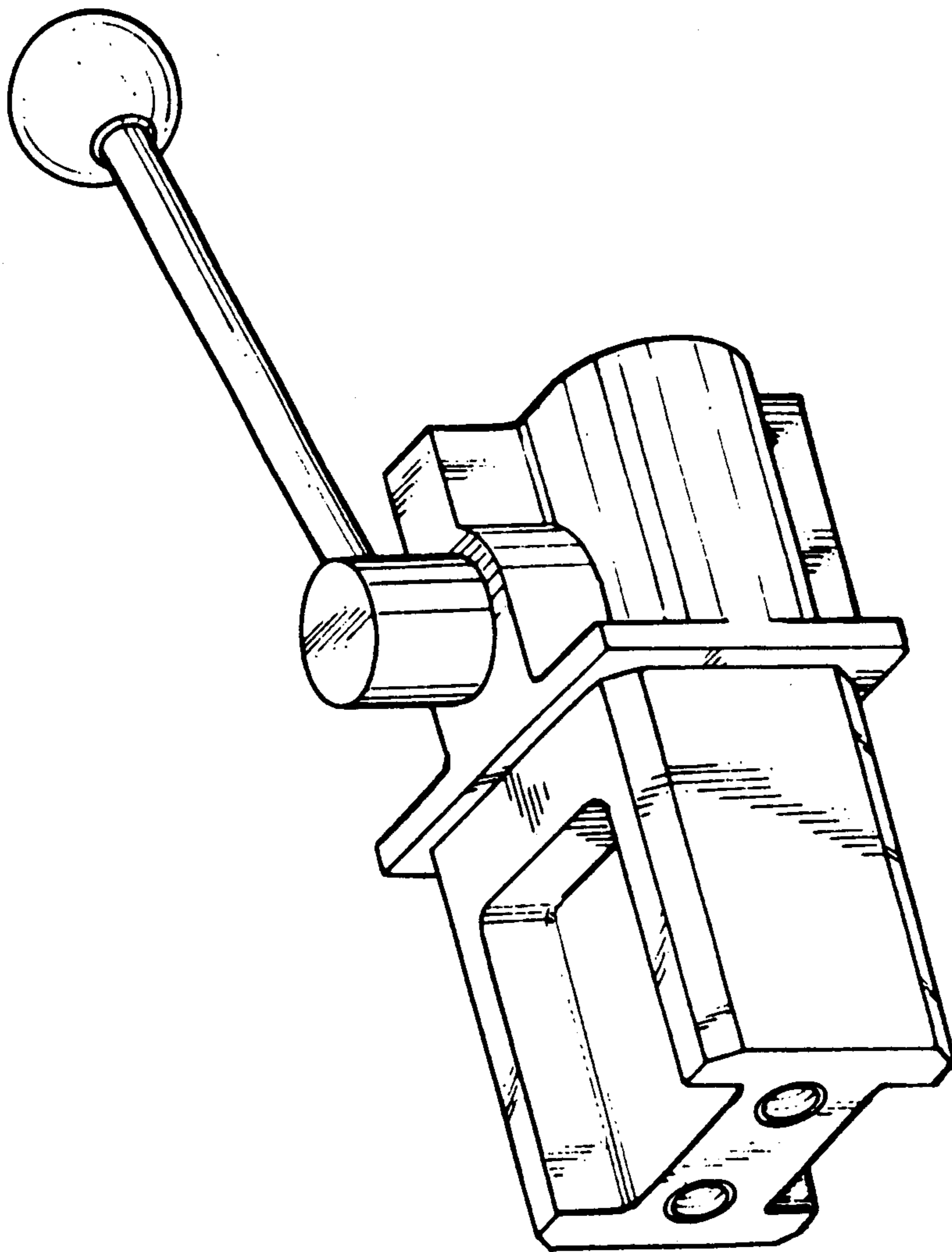


FIG - 7